



US00D457337S

(12) **United States Design Patent**
Liu

(10) **Patent No.:** **US D457,337 S**

(45) **Date of Patent:** **** May 21, 2002**

(54) **LEISURE CHAIR**

D190,645 S * 6/1961 Sundberg D6/379

(76) Inventor: **Lausan Liu**, No. 243, Chien Kwo
Road, Hsin Tien City, Taipei Hsien
(TW)

* cited by examiner

Primary Examiner—Doris V. Coles

Assistant Examiner—Mimosa De

(**) Term: **14 Years**

(74) *Attorney, Agent, or Firm*—Rosenberg, Klein & Lee

(21) Appl. No.: **29/142,136**

(57) **CLAIM**

(22) Filed: **May 21, 2001**

The ornamental design for a leisure chair, as shown and described.

(51) **LOC (7) Cl.** **06-01**

DESCRIPTION

(52) **U.S. Cl.** **D6/368**

(58) **Field of Search** D6/334, 335, 368,
D6/369, 374, 375, 376, 379, 500-502;
297/16.1, 26, 27, 28, 34, 35, 353, 359,
452.16

FIG. 1 is the perspective view of a leisure chair showing my new design;

FIG. 2 is the front elevational view thereof;

FIG. 3 is the rear elevational view thereof;

FIG. 4 is the left side elevational view thereof;

FIG. 5 is the right side elevational view thereof;

FIG. 6 is the top plan view thereof; and,

FIG. 7 is the bottom plan view thereof.

(56) **References Cited**

U.S. PATENT DOCUMENTS

2,097,500 A * 11/1937 Oermann 297/27

2,333,761 A * 11/1943 Beeskow 297/27

1 Claim, 4 Drawing Sheets





Fig. 1

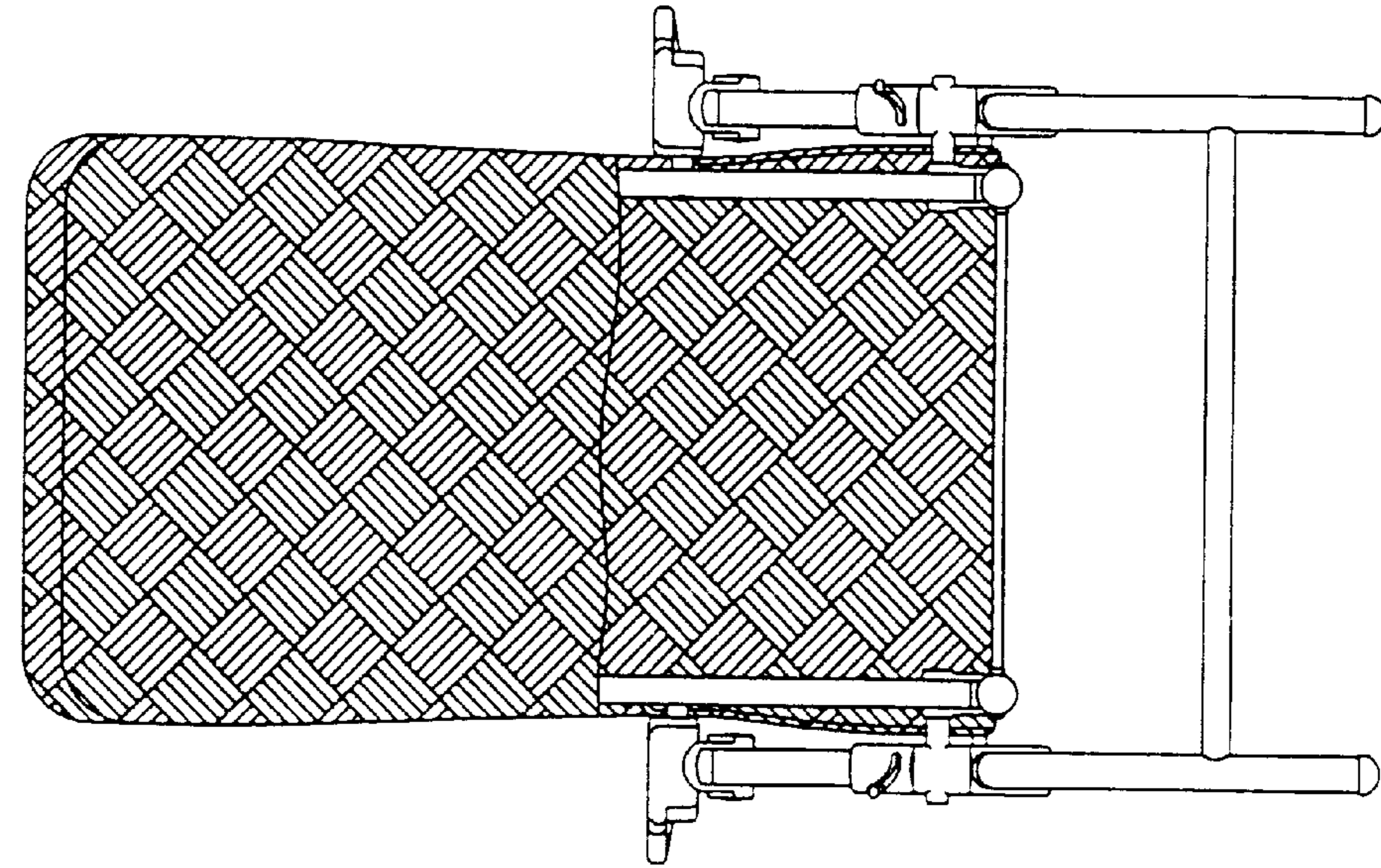


Fig. 2

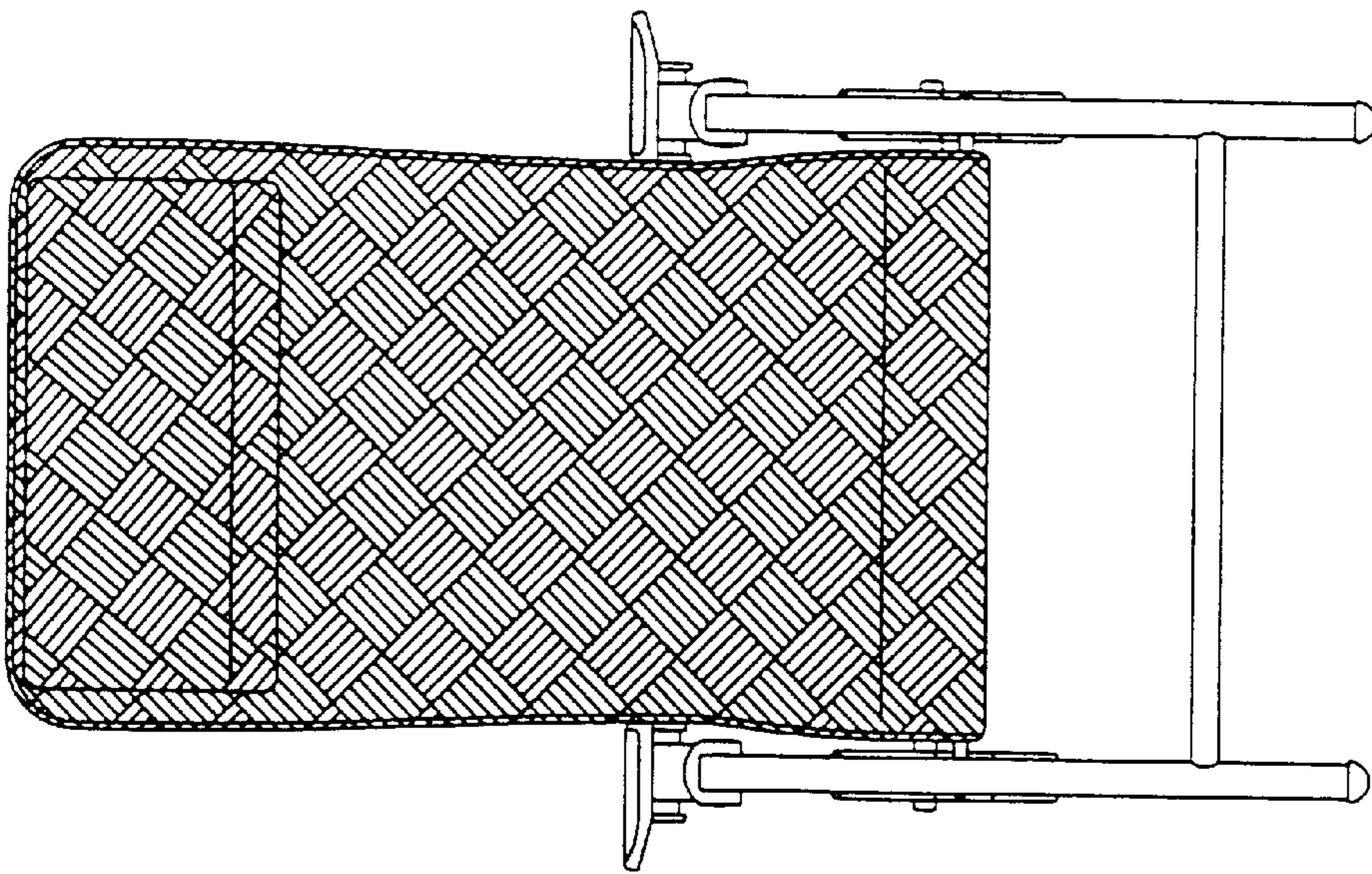


Fig. 3

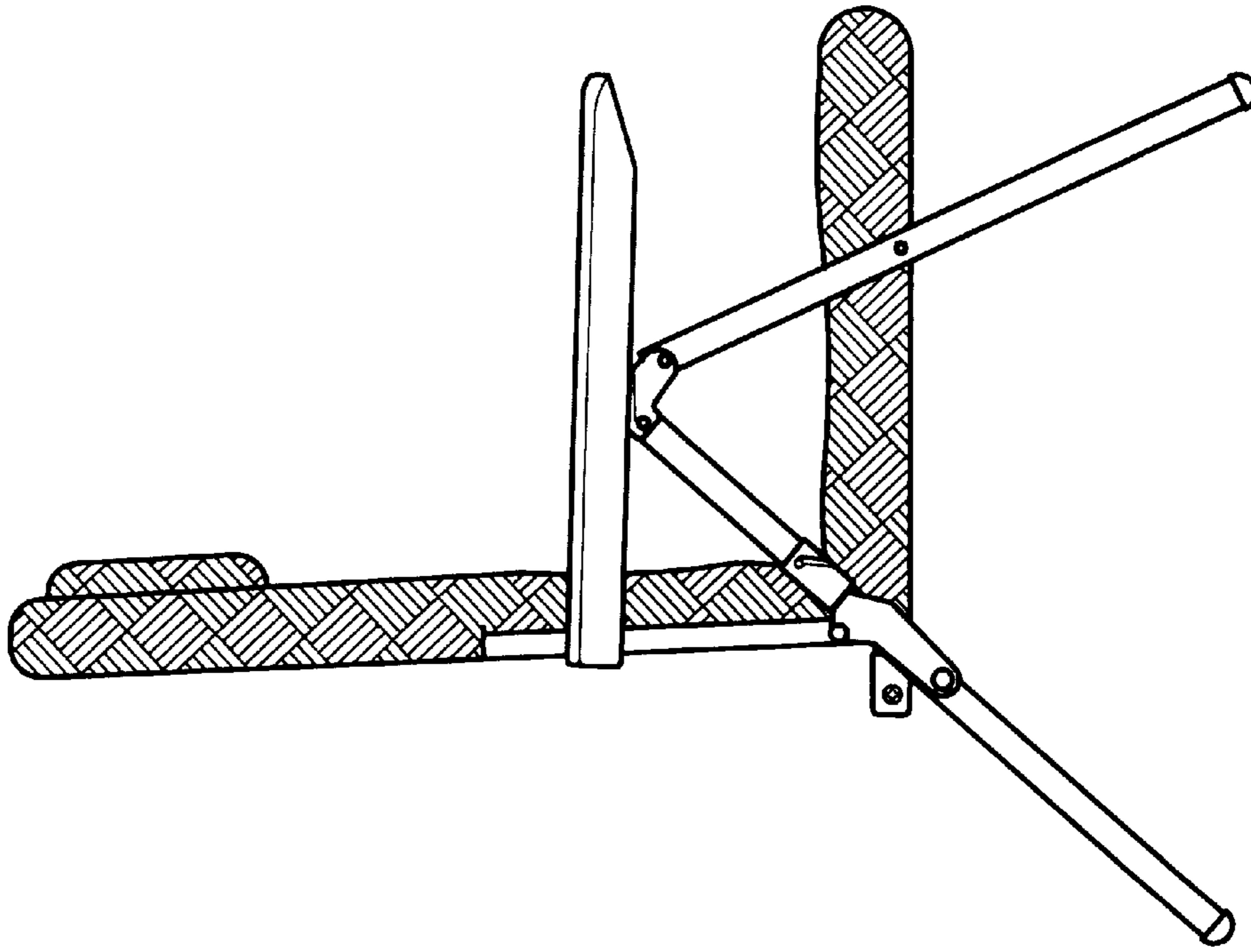


Fig. 4

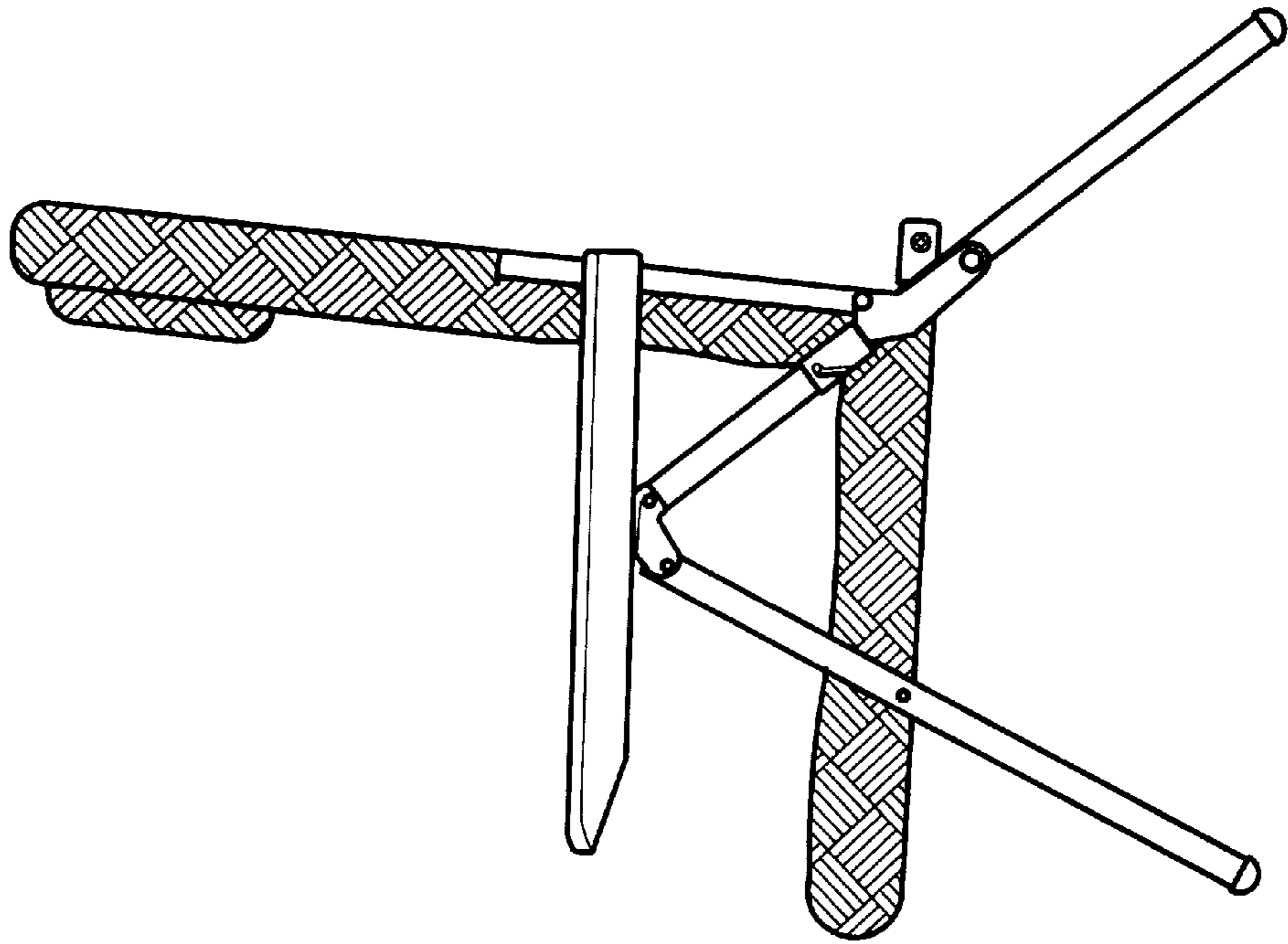


Fig. 5

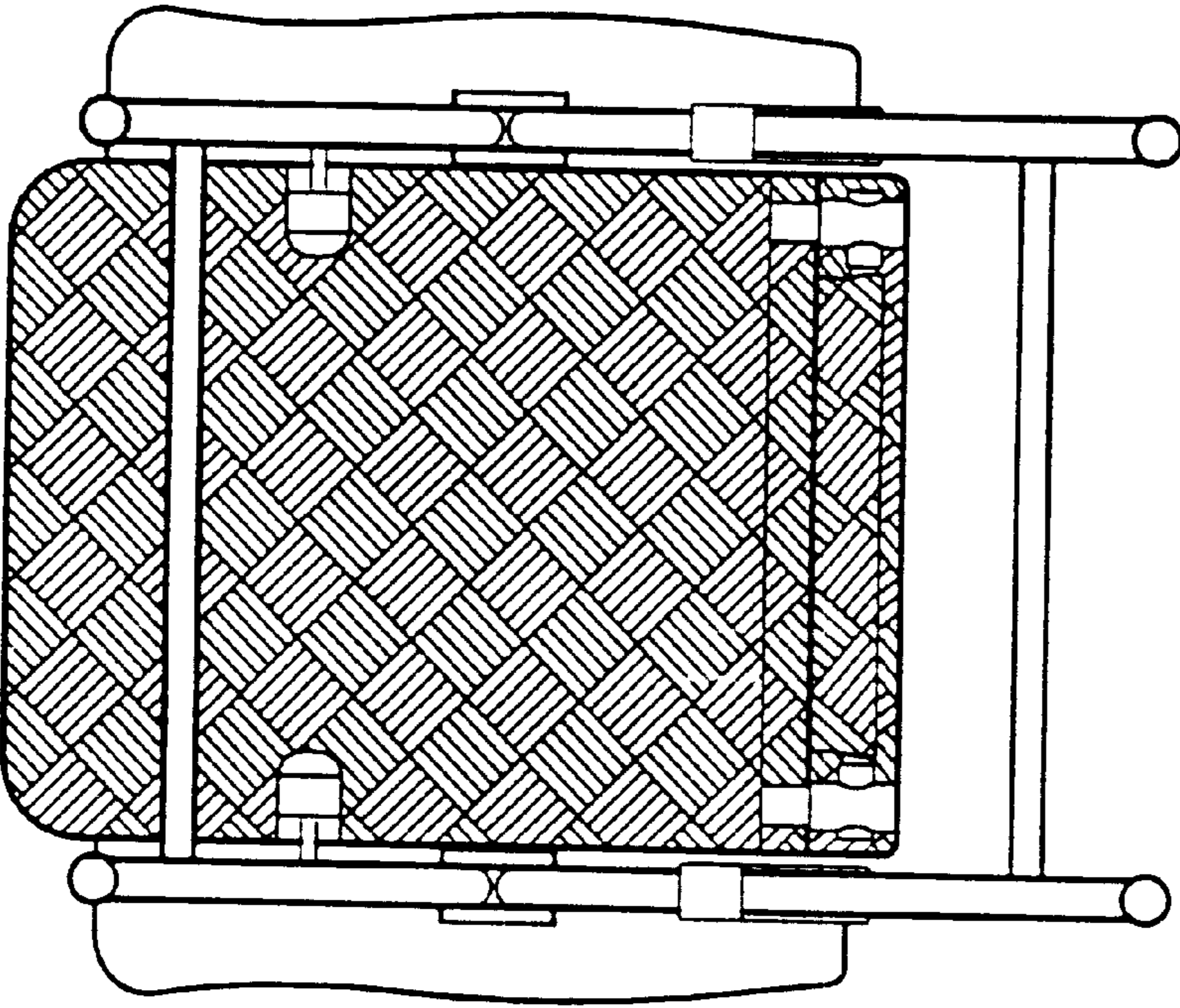


Fig. 7

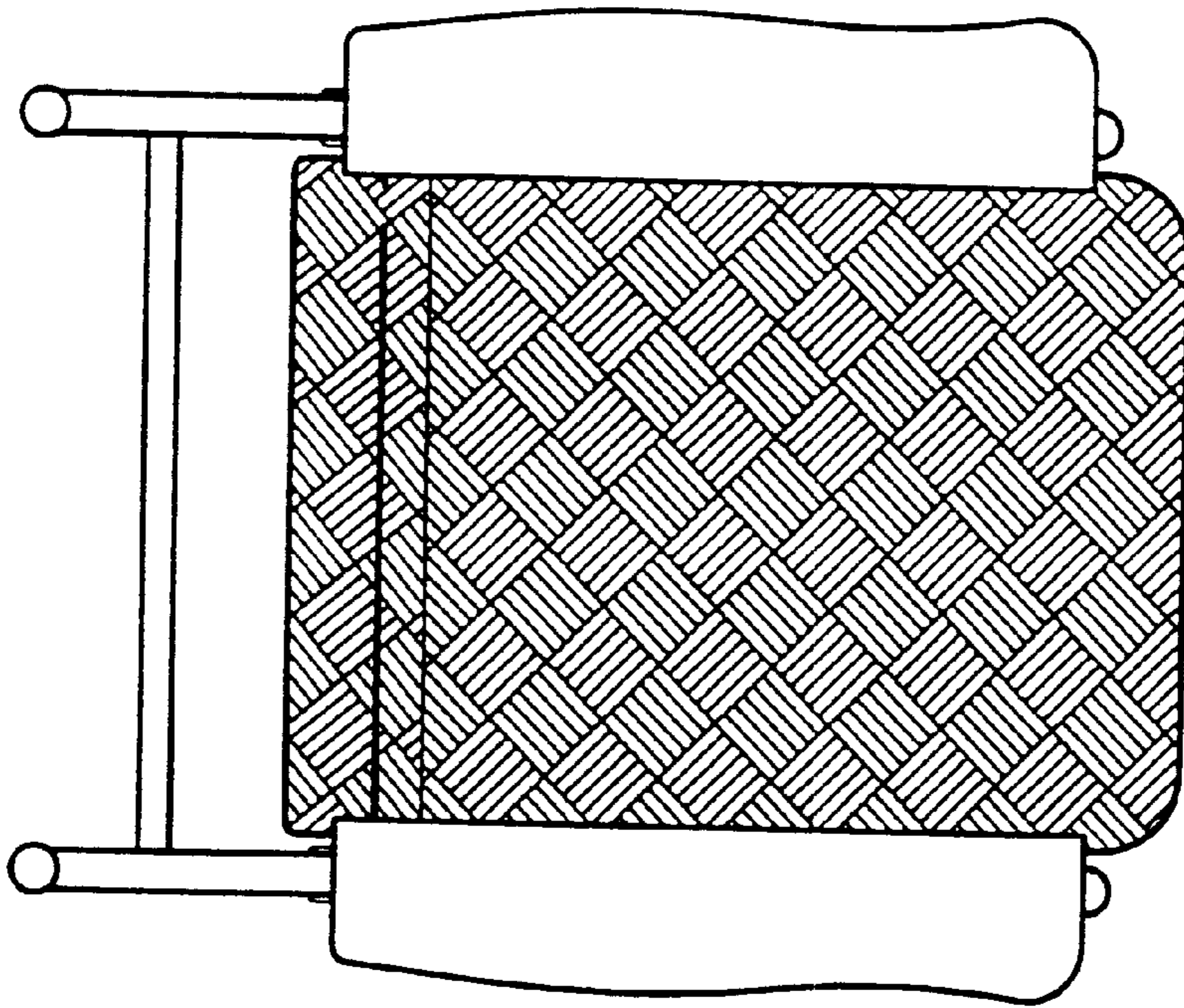


Fig. 6