



US00D457336S

(12) **United States Design Patent**  
**Leng et al.**

(10) **Patent No.:** **US D457,336 S**

(45) **Date of Patent:** **\*\* May 21, 2002**

(54) **FOLDING CHAIR**

5,634,684 A \* 6/1997 Kojima et al. .... 297/58

(75) Inventors: **Luhao Leng; Qiang Li**, both of  
Xiamen (CN)

\* cited by examiner

(73) Assignee: **Xiamen New-Tec JCC., Ltd.**, Xiamen  
(CN)

*Primary Examiner*—Doris V. Coles

*Assistant Examiner*—Mimosa De

(74) *Attorney, Agent, or Firm*—Greer, Burns & Crain, Ltd.

(\*\*) Term: **14 Years**

(57) **CLAIM**

The ornamental design for a folding chair, as shown and described.

(21) Appl. No.: **29/139,547**

(22) Filed: **Apr. 2, 2001**

**DESCRIPTION**

(30) **Foreign Application Priority Data**

Oct. 11, 2000 (CN) ..... 00 3 39274

(51) **LOC (7) Cl.** ..... **06-01**

(52) **U.S. Cl.** ..... **D6/368**

(58) **Field of Search** ..... D6/334, 335, 368,  
D6/374, 379, 380, 500–502; 297/16.1, 34,  
40, 41, 55, 56, 57, 58, 59, 452.1

FIG. 1 is a perspective view of a folding chair showing my new design;

FIG. 2 is a right side view thereof;

FIG. 3 is a rear view thereof;

FIG. 4 is a front view thereof;

FIG. 5 is a left side view thereof;

FIG. 6 is a top view thereof;

FIG. 7 is a bottom view thereof;

FIG. 8 is a right side view of a folding chair, which is in folding state;

FIG. 9 is a rear view thereof;

FIG. 10 is a front view thereof;

FIG. 11 is left side view thereof;

FIG. 12 is a top view thereof; and,

FIG. 13 is a bottom view thereof.

(56) **References Cited**

**U.S. PATENT DOCUMENTS**

1,704,712 A \* 3/1929 Silverman ..... 297/57

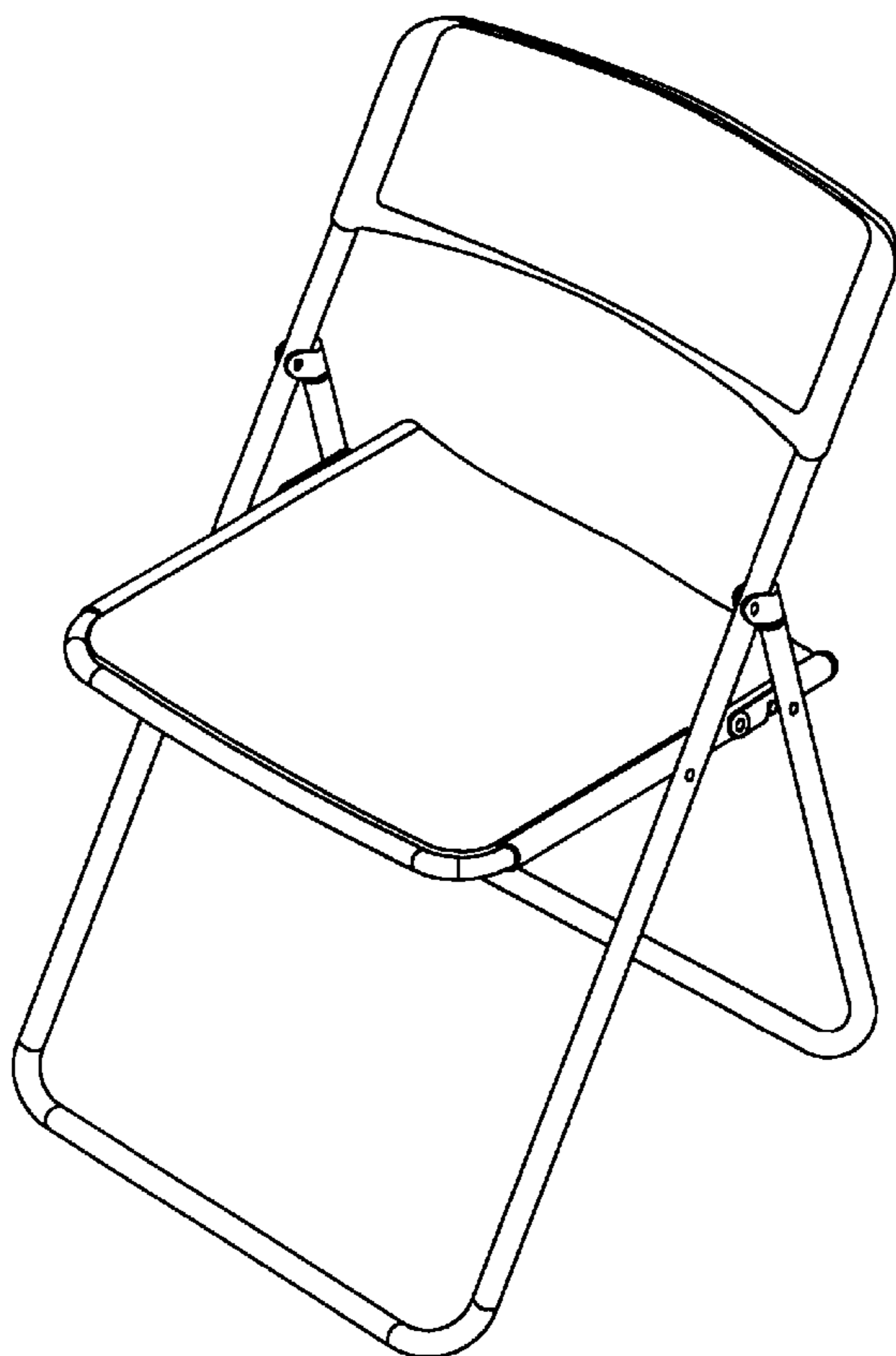
2,552,883 A \* 5/1951 Cable ..... 297/57

D217,344 S \* 4/1970 Lindfors ..... D6/368

3,695,687 A \* 10/1972 Uyeda ..... 297/56

D233,869 S \* 12/1974 Lopez-Leautaud ..... D6/374

**1 Claim, 6 Drawing Sheets**



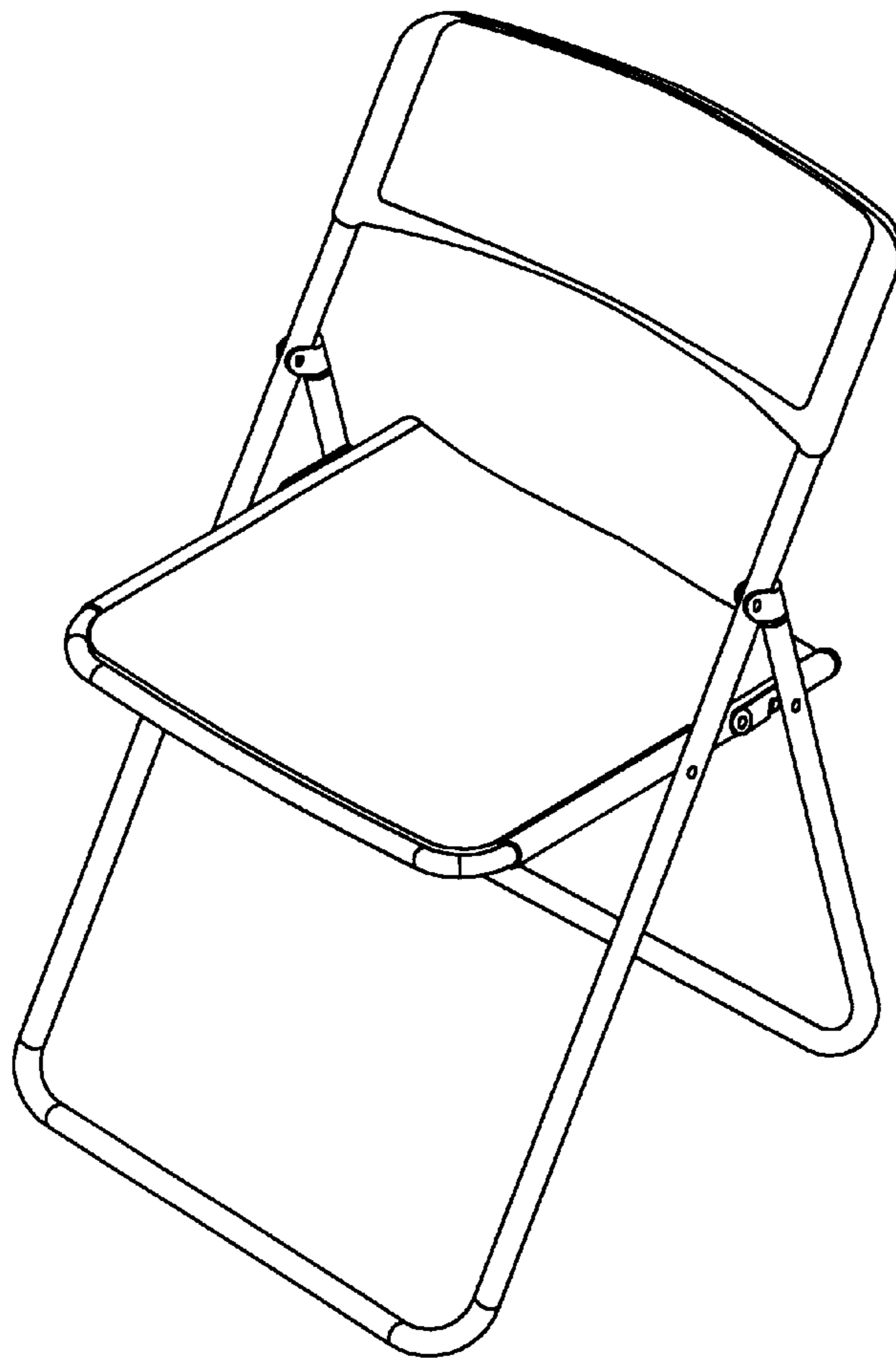


Fig.1

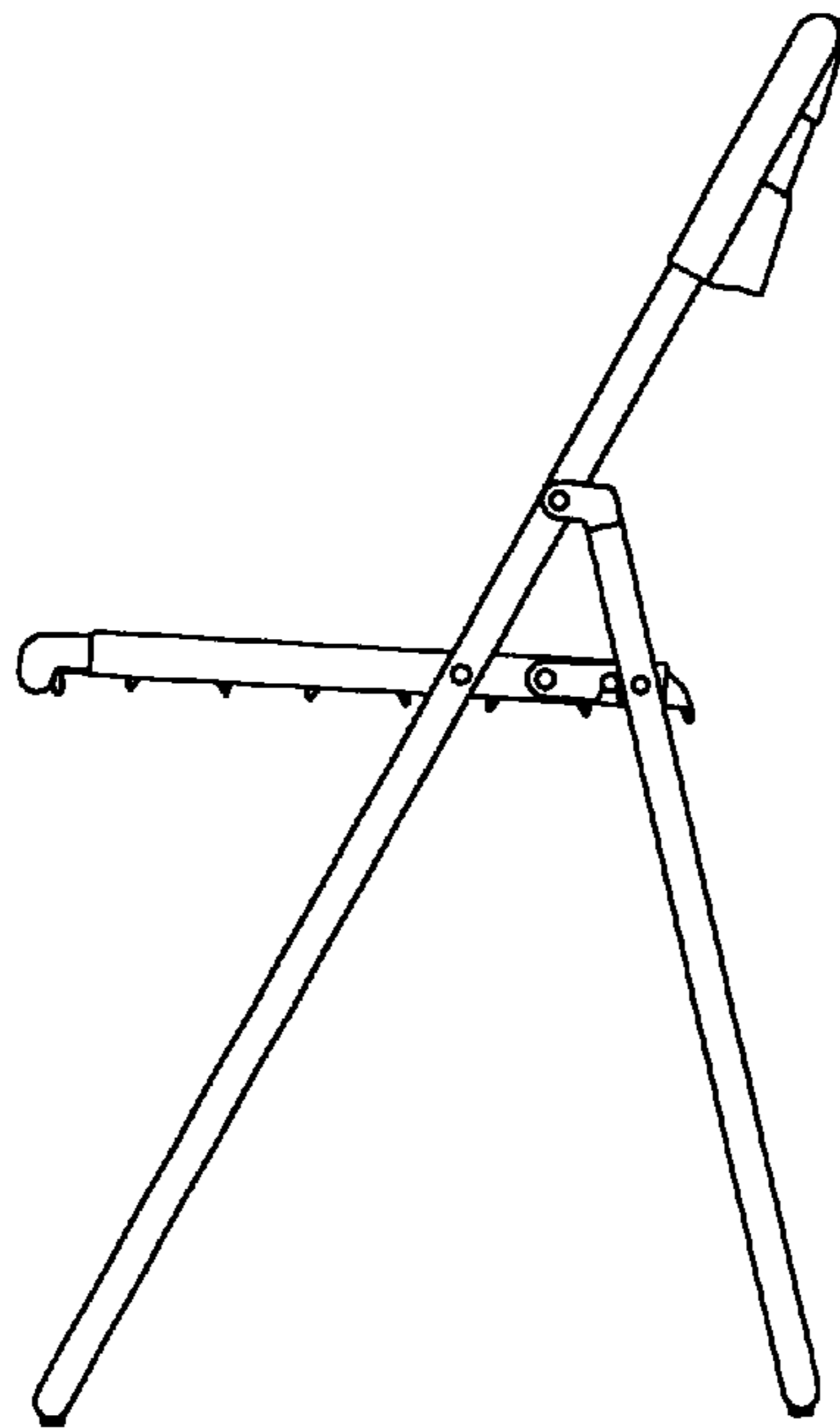


Fig.2

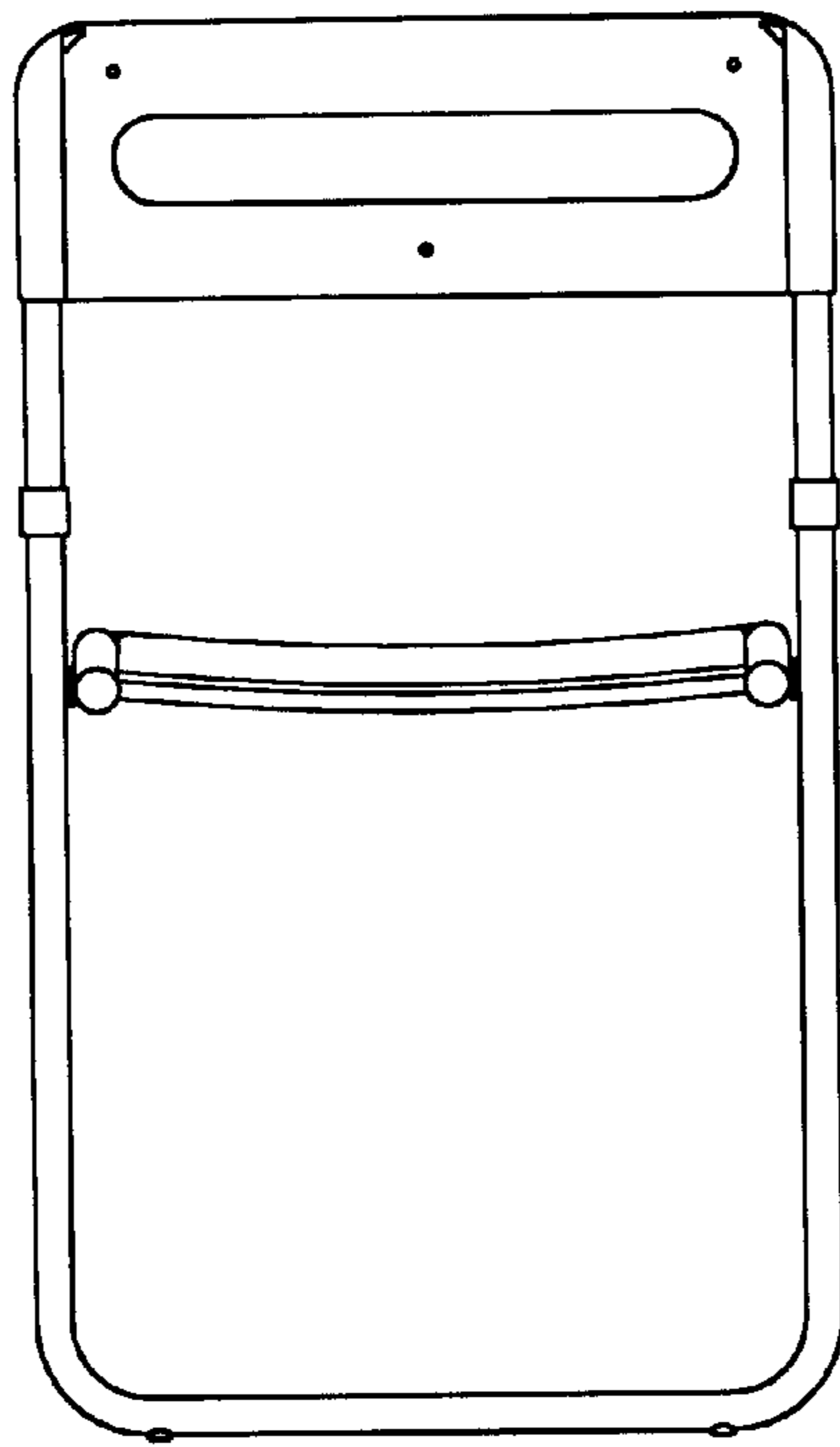


Fig.3

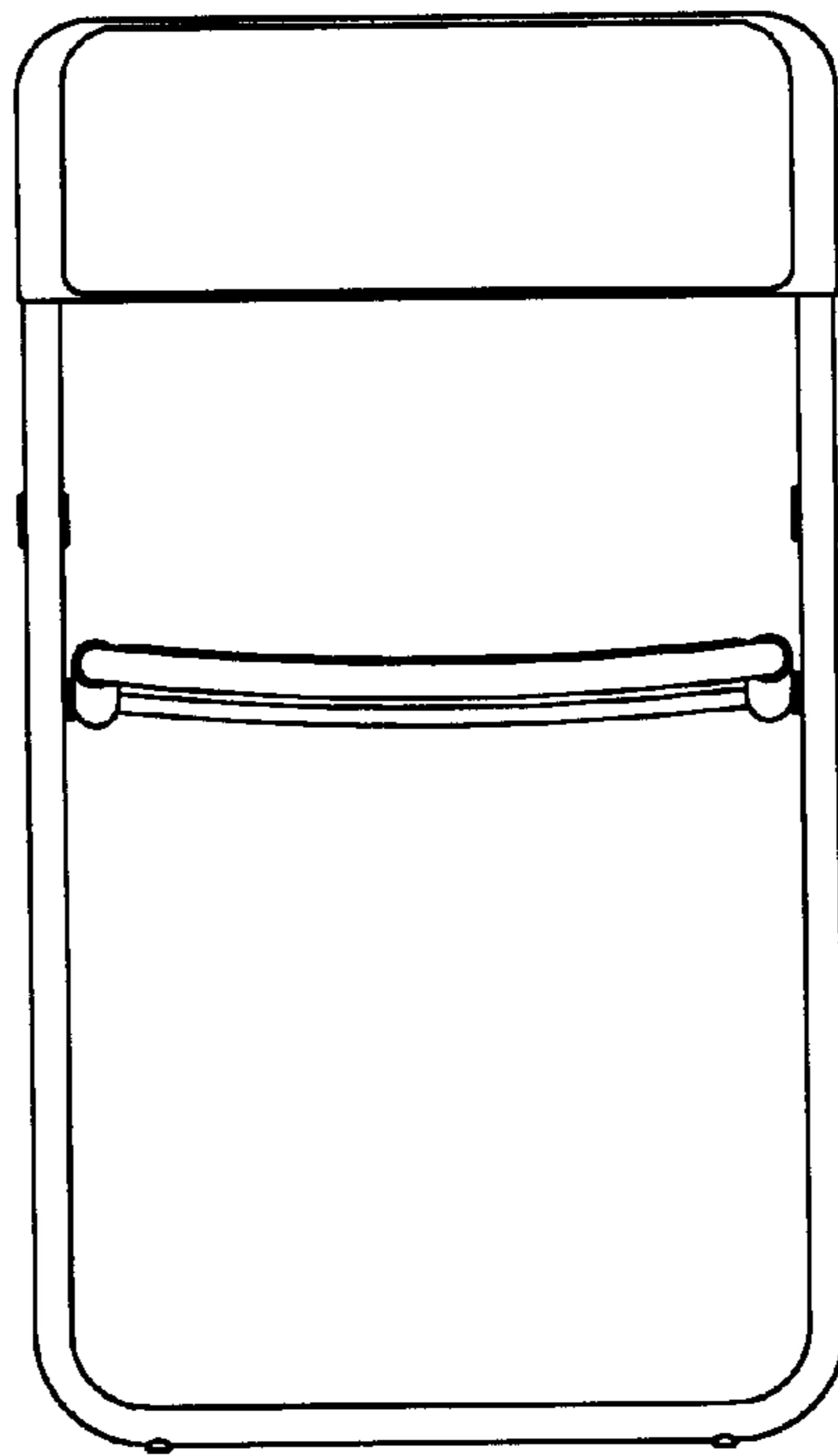


Fig.4

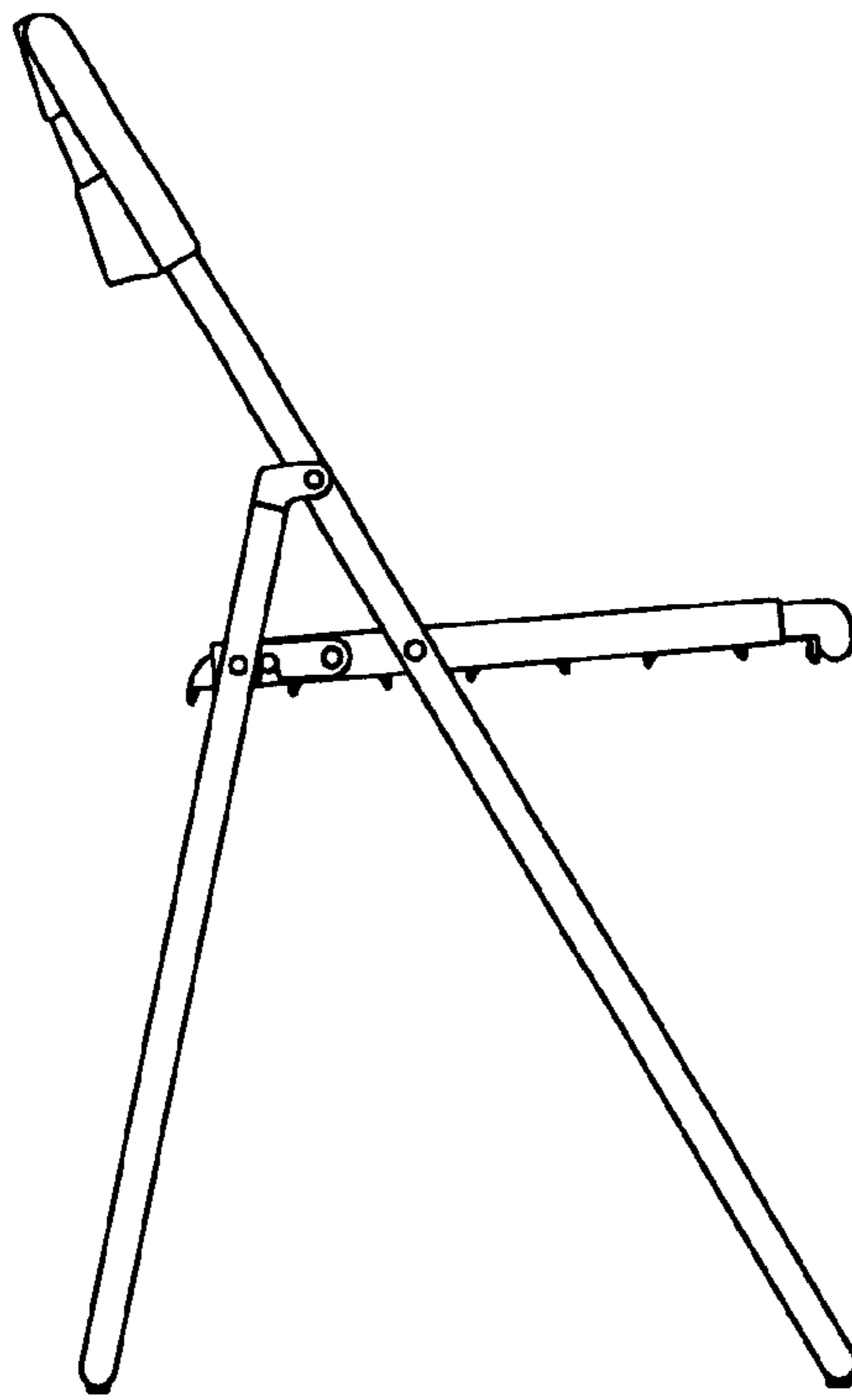


Fig.5

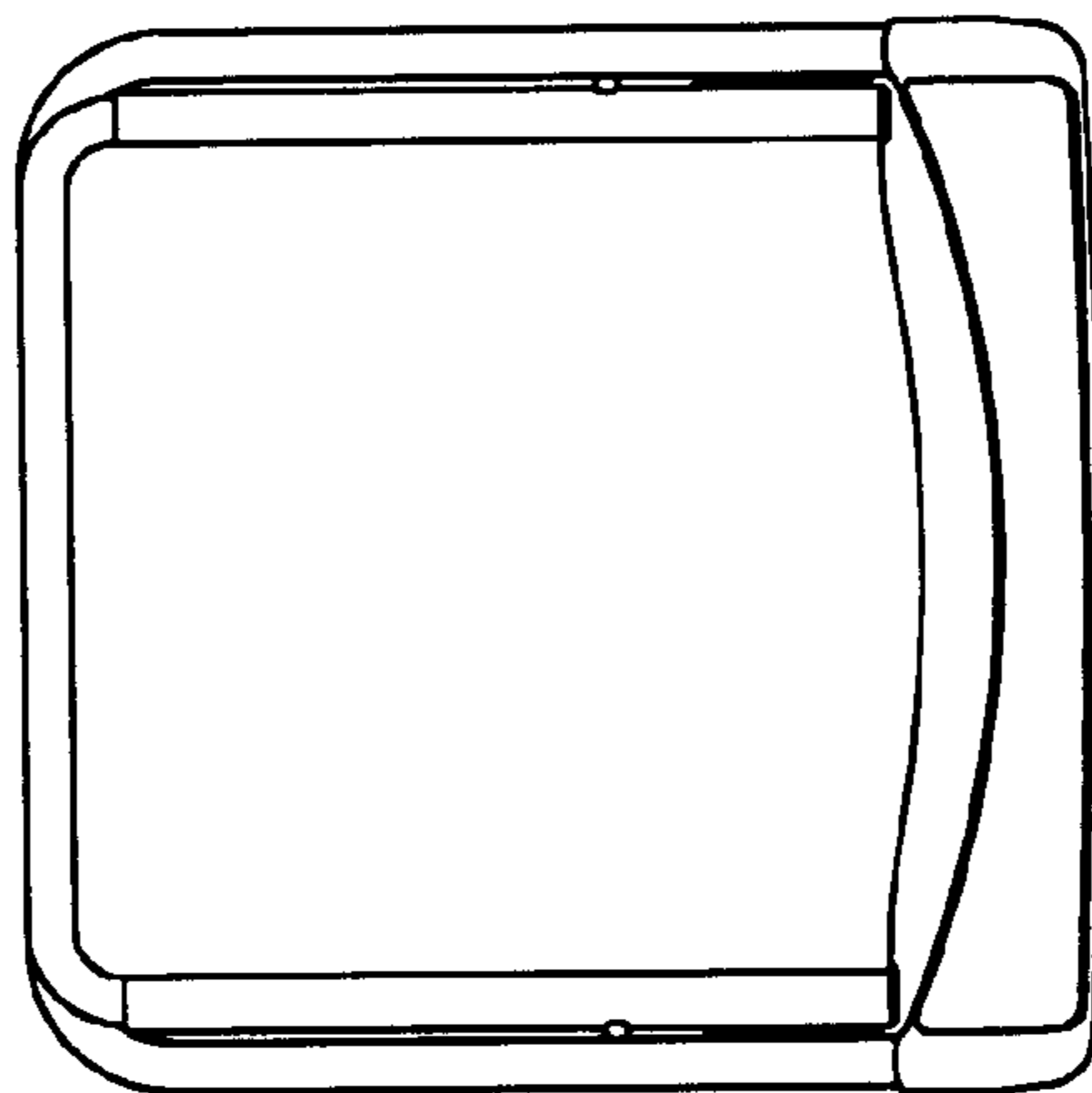


Fig.6

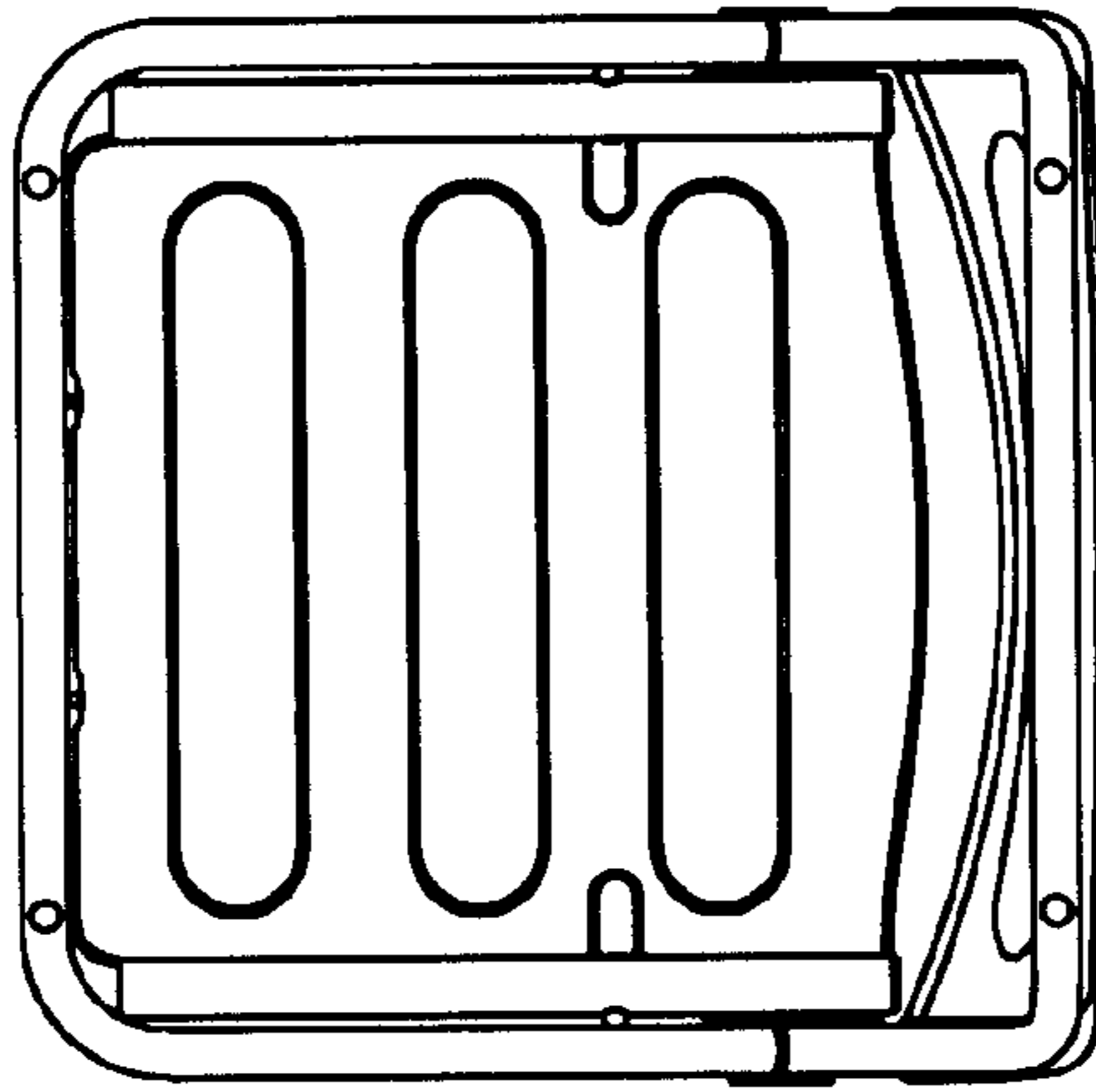


Fig. 7



Fig. 8

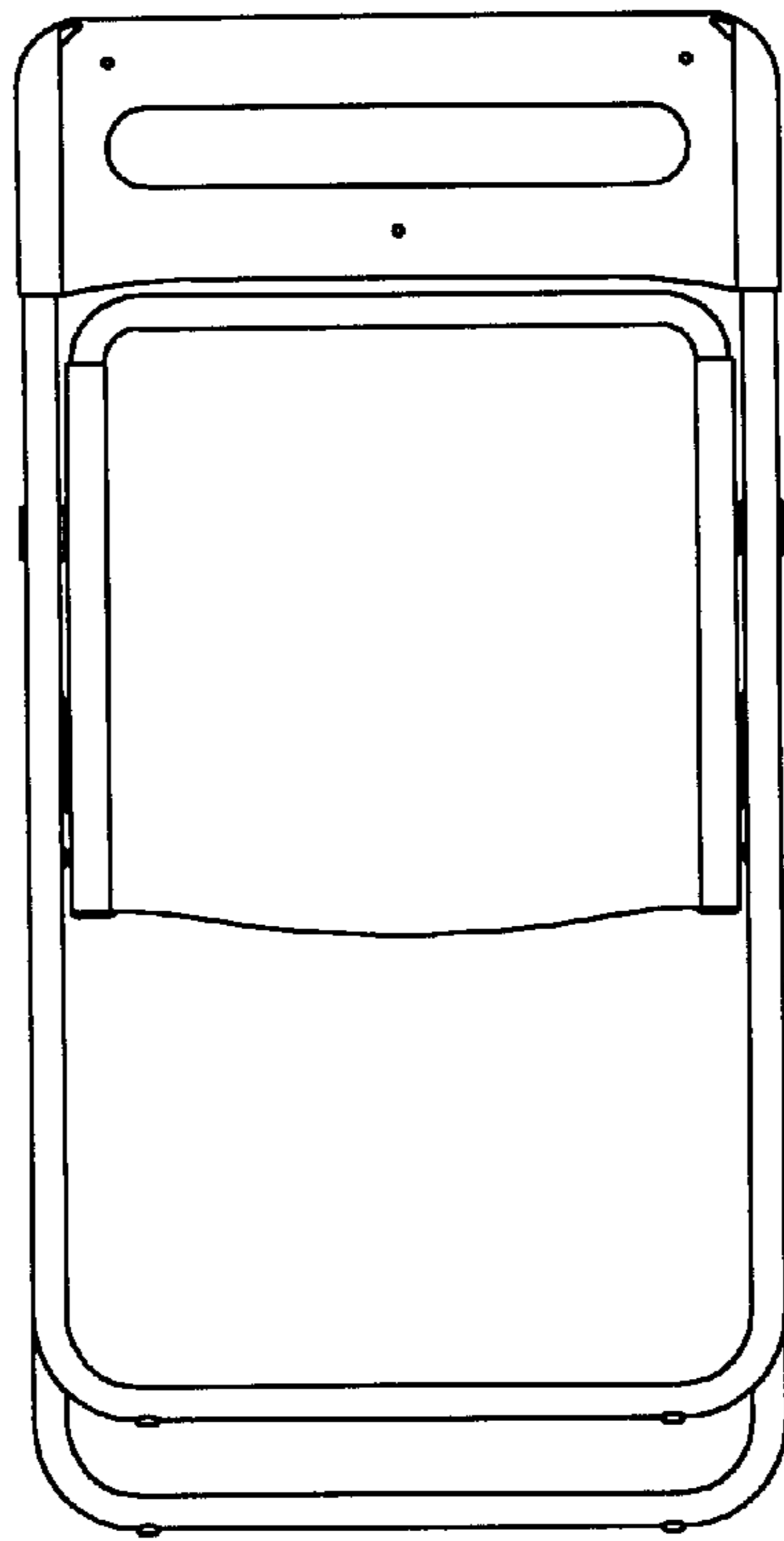


Fig.9

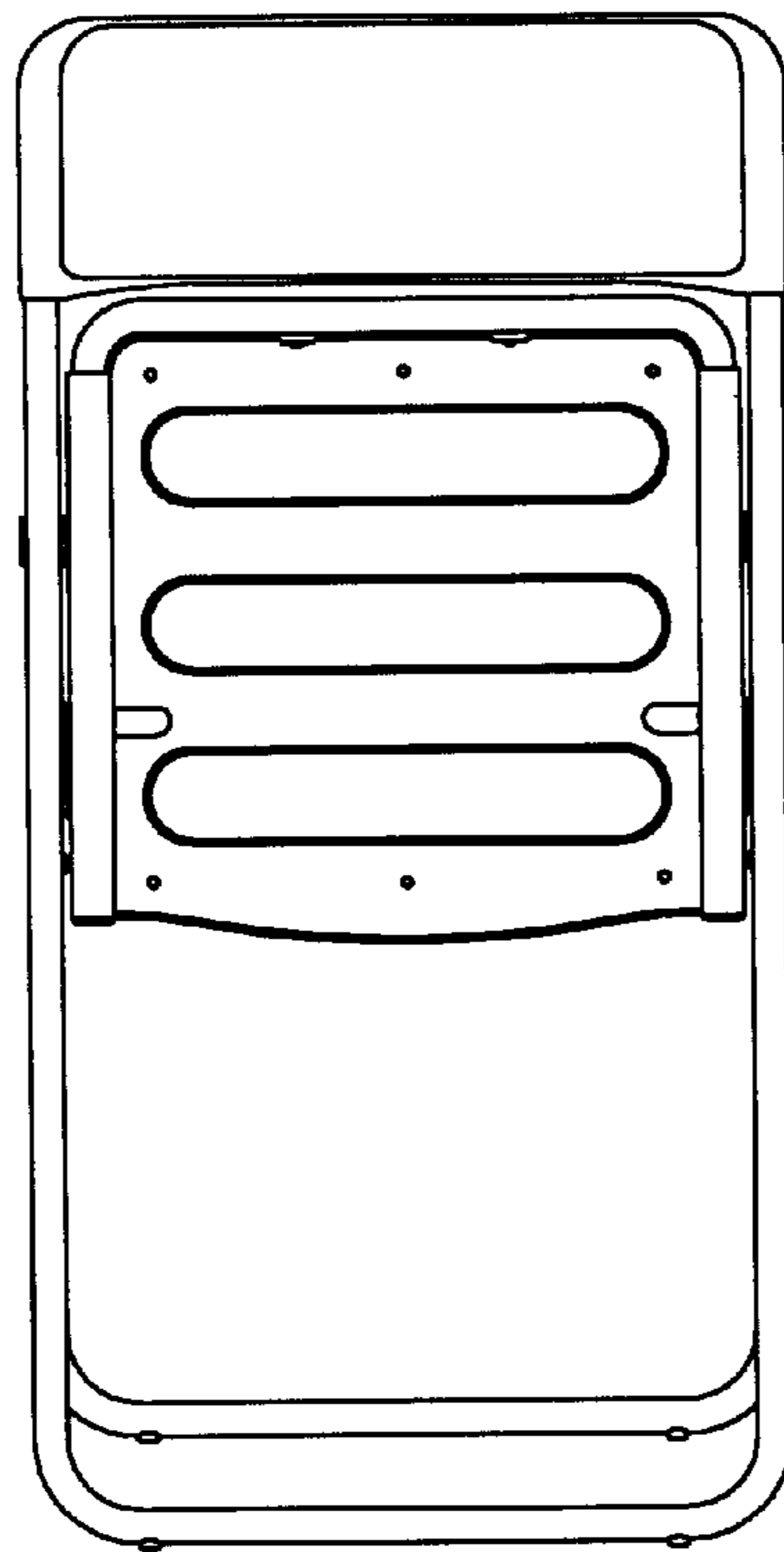


Fig.10



Fig.11



Fig.12



Fig.13