



US00D457335S

(12) **United States Design Patent**
Desnoyers

(10) **Patent No.:** **US D457,335 S**

(45) **Date of Patent:** **** May 21, 2002**

(54) **ROCKING CHAIR**

D405,282 S * 2/1999 Desnoyers et al. D6/365
6,092,870 A * 7/2000 Desnoyers et al. 297/281

(75) Inventor: **Charles Desnoyers**, St-Pie de Bagot
(CA)

* cited by examiner

(73) Assignee: **Dutailier International Inc.**, Quebec
(CA)

Primary Examiner—Doris V. Coles

Assistant Examiner—Mimosa De

(**) Term: **14 Years**

(74) *Attorney, Agent, or Firm*—Ladas & Parry

(21) Appl. No.: **29/138,997**

(22) Filed: **Mar. 22, 2001**

(57) **CLAIM**

I claim the ornamental design for a rocking chair, as shown and described.

(30) **Foreign Application Priority Data**

DESCRIPTION

Sep. 22, 2000 (CA) 2000-2543

FIG. 1 is a side perspective view of a rocking chair according to the present design;

(51) **LOC (7) Cl.** **06-01**

FIG. 2 is a front view of the rocking chair of FIG. 1;

(52) **U.S. Cl.** **D6/365**

FIG. 3 is a left side view of the rocking chair of FIG. 1;

(58) **Field of Search** D6/334, 335, 344,
D6/364, 365, 367, 495, 500-502; 248/370,
144; 297/68, 270.1, 273, 281, 287, 259.3

FIG. 4 is a top plan view of the rocking chair of FIG. 1;

FIG. 5 is a rear view of the rocking chair of FIG. 1; and,

FIG. 6 is a right side view of the rocking chair of FIG. 1.

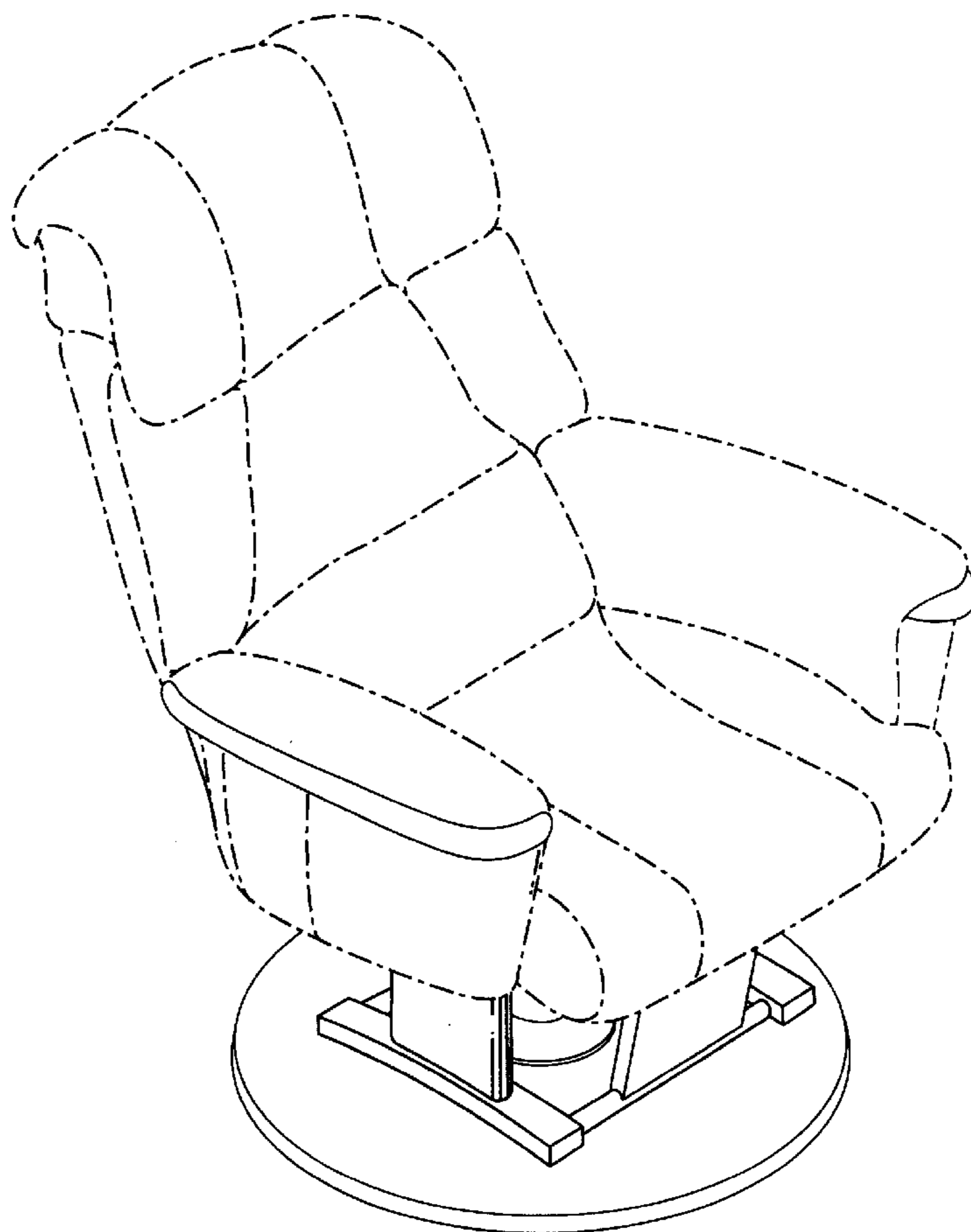
(56) **References Cited**

The broken lines in the figures are for illustrative purposes only and form no part of the claimed design.

U.S. PATENT DOCUMENTS

5,248,120 A * 9/1993 Brien 248/370

1 Claim, 3 Drawing Sheets



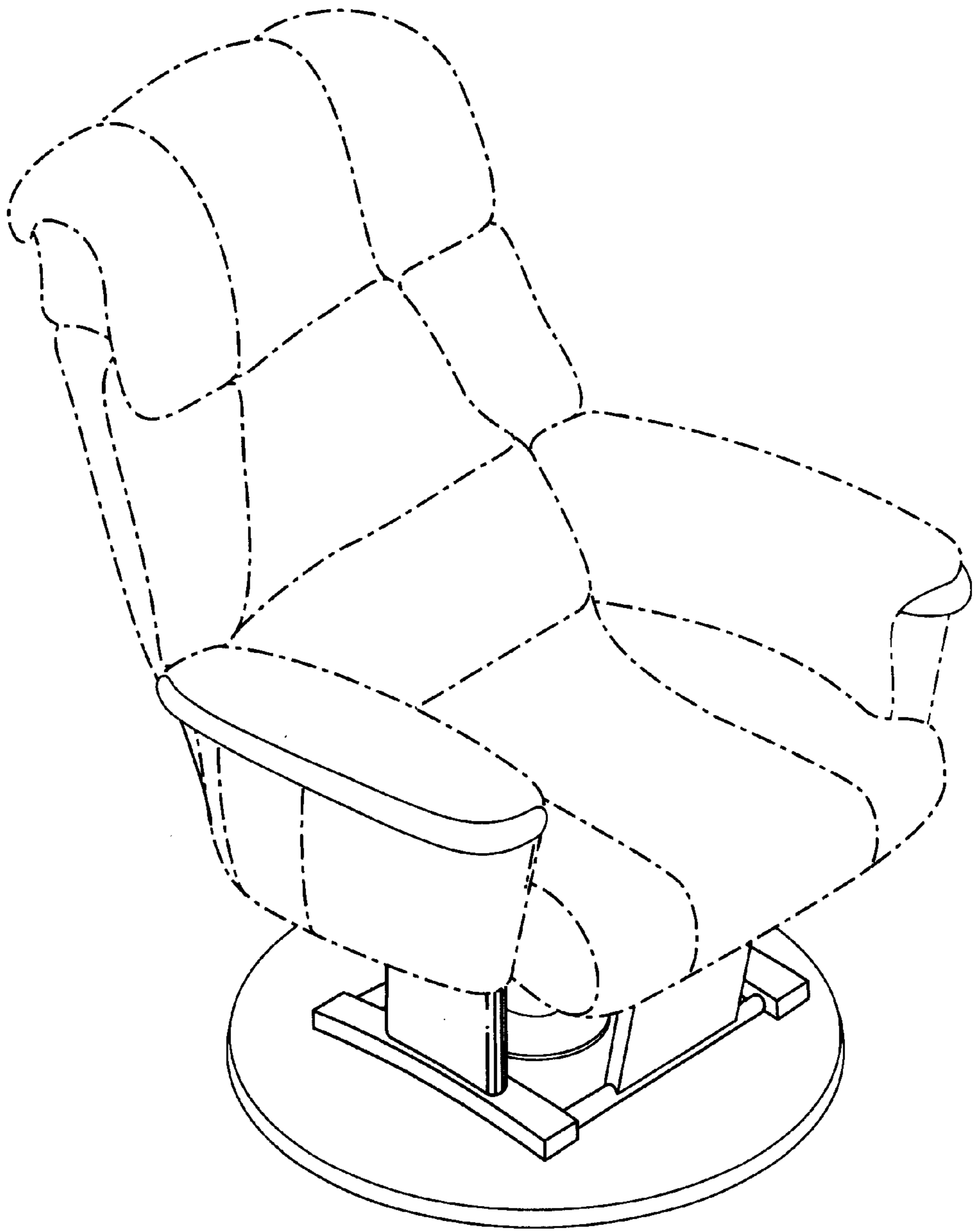


Fig. 1

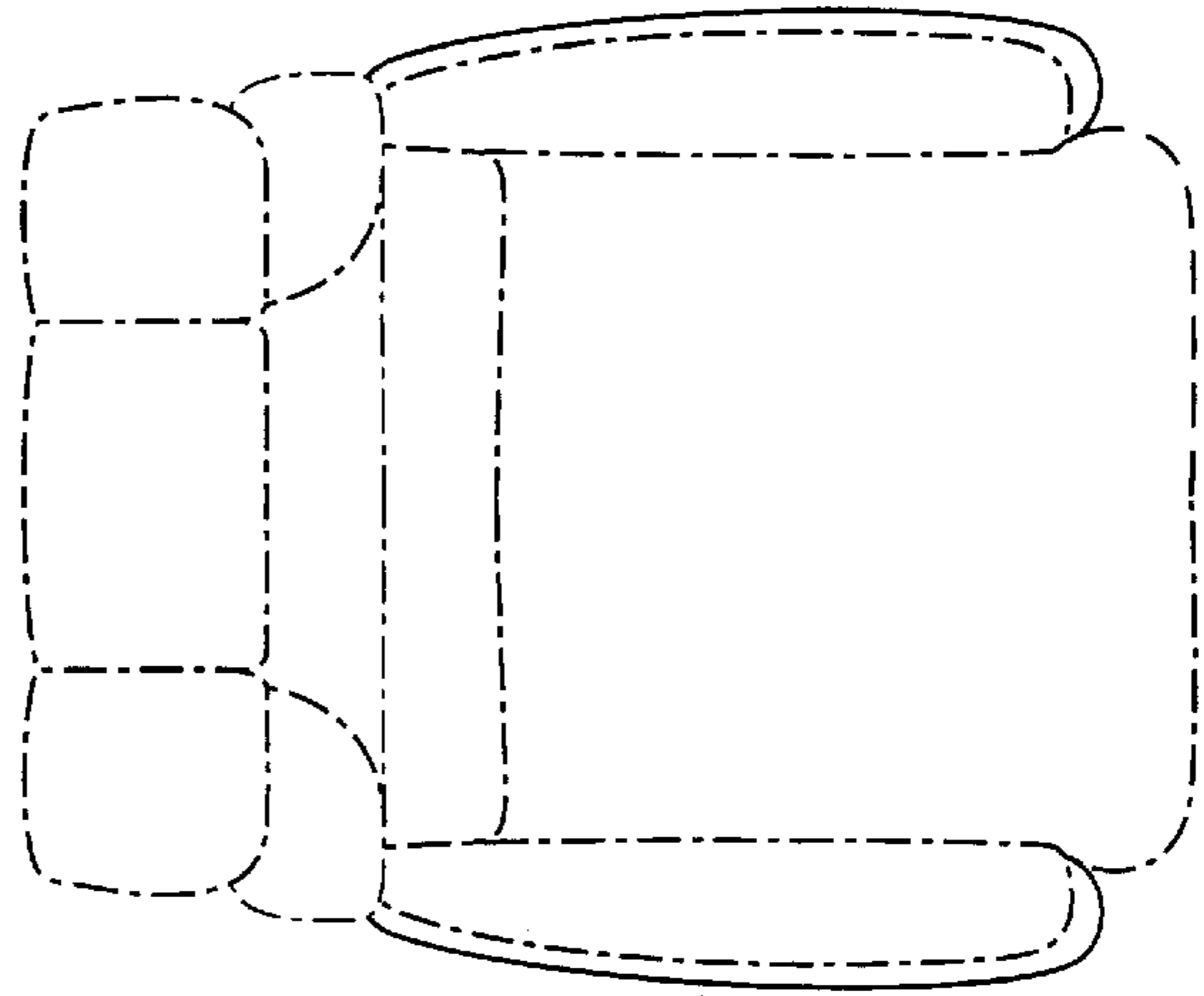


Fig. 4

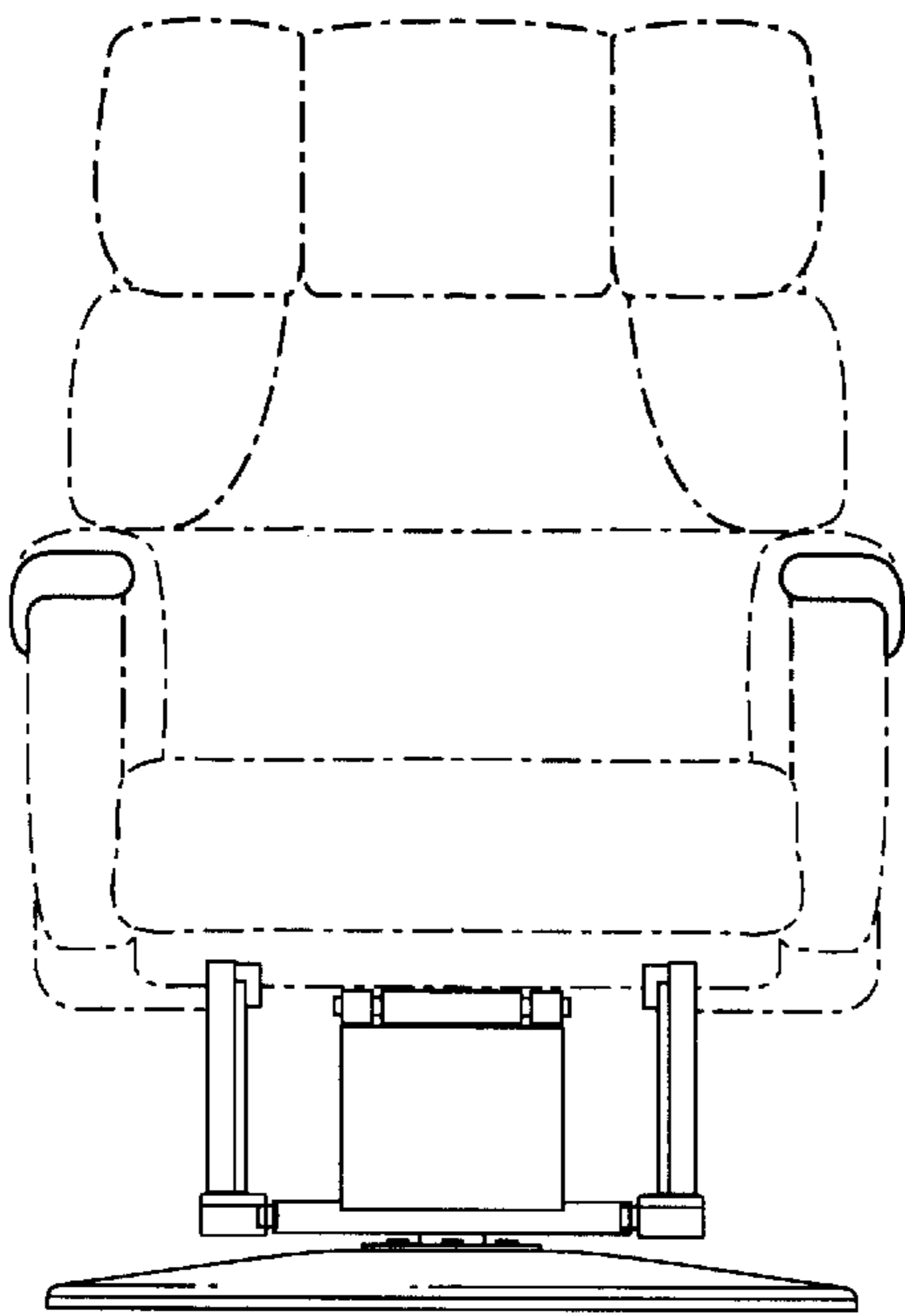


Fig. 2

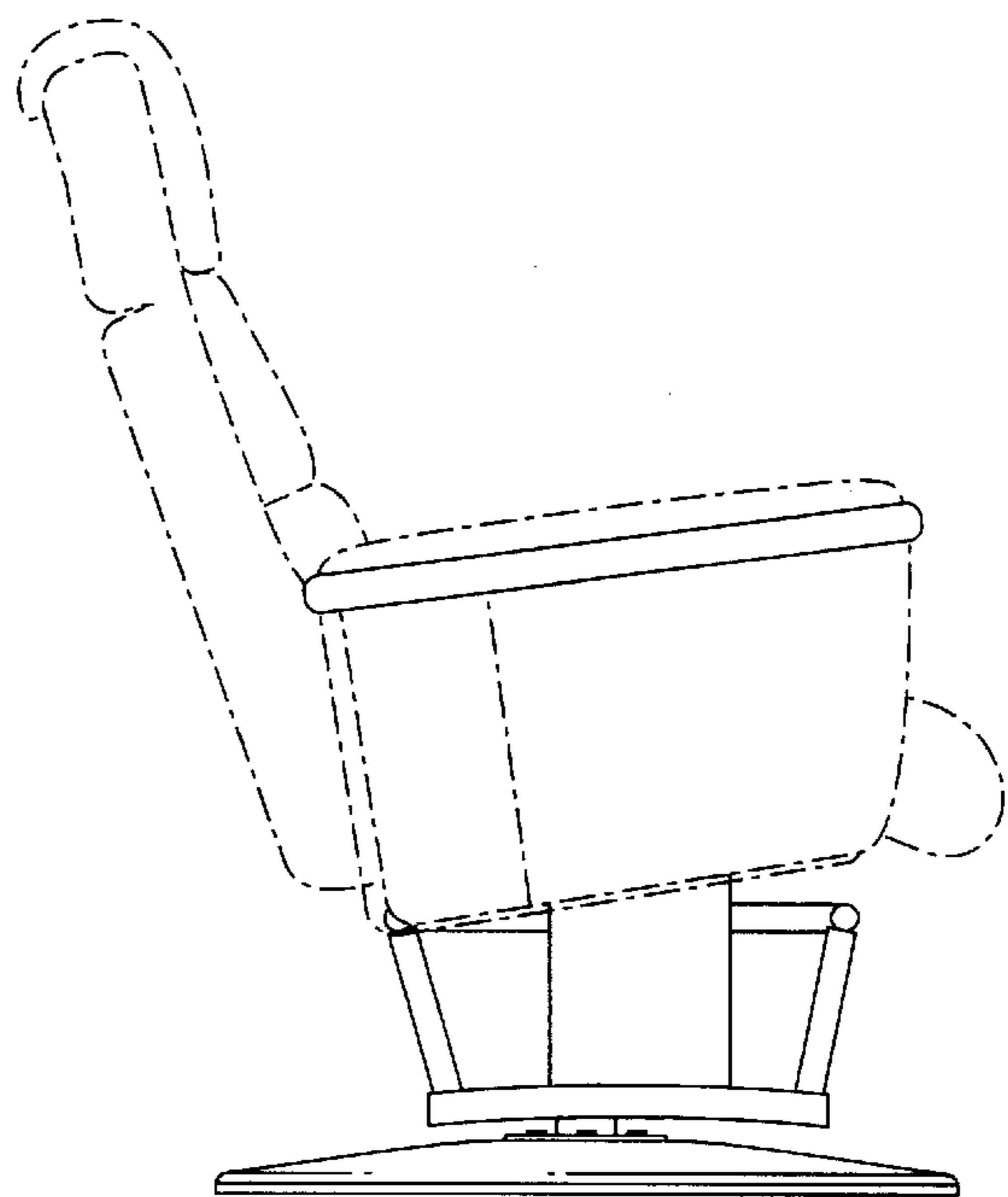


Fig. 3

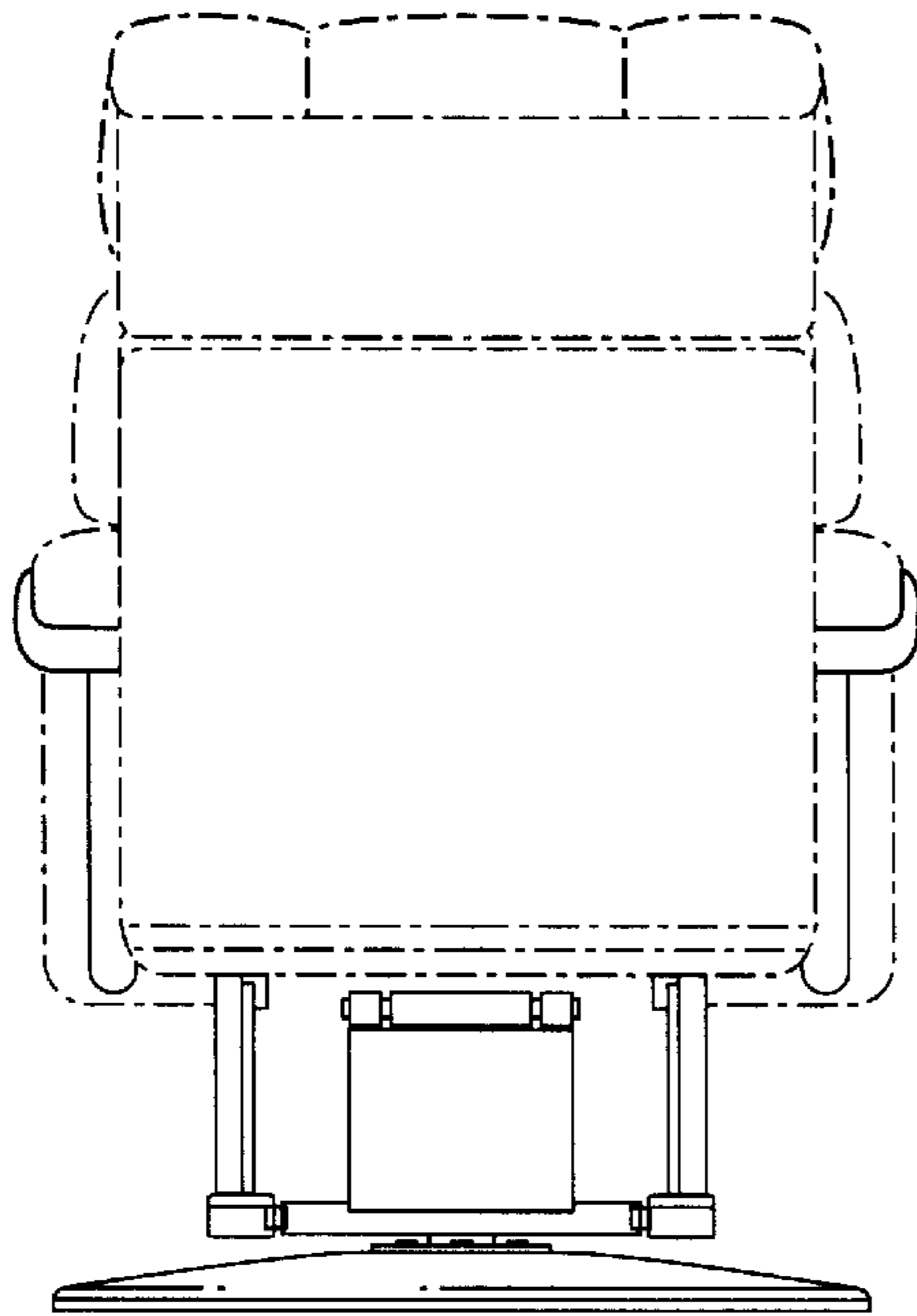


Fig. 5

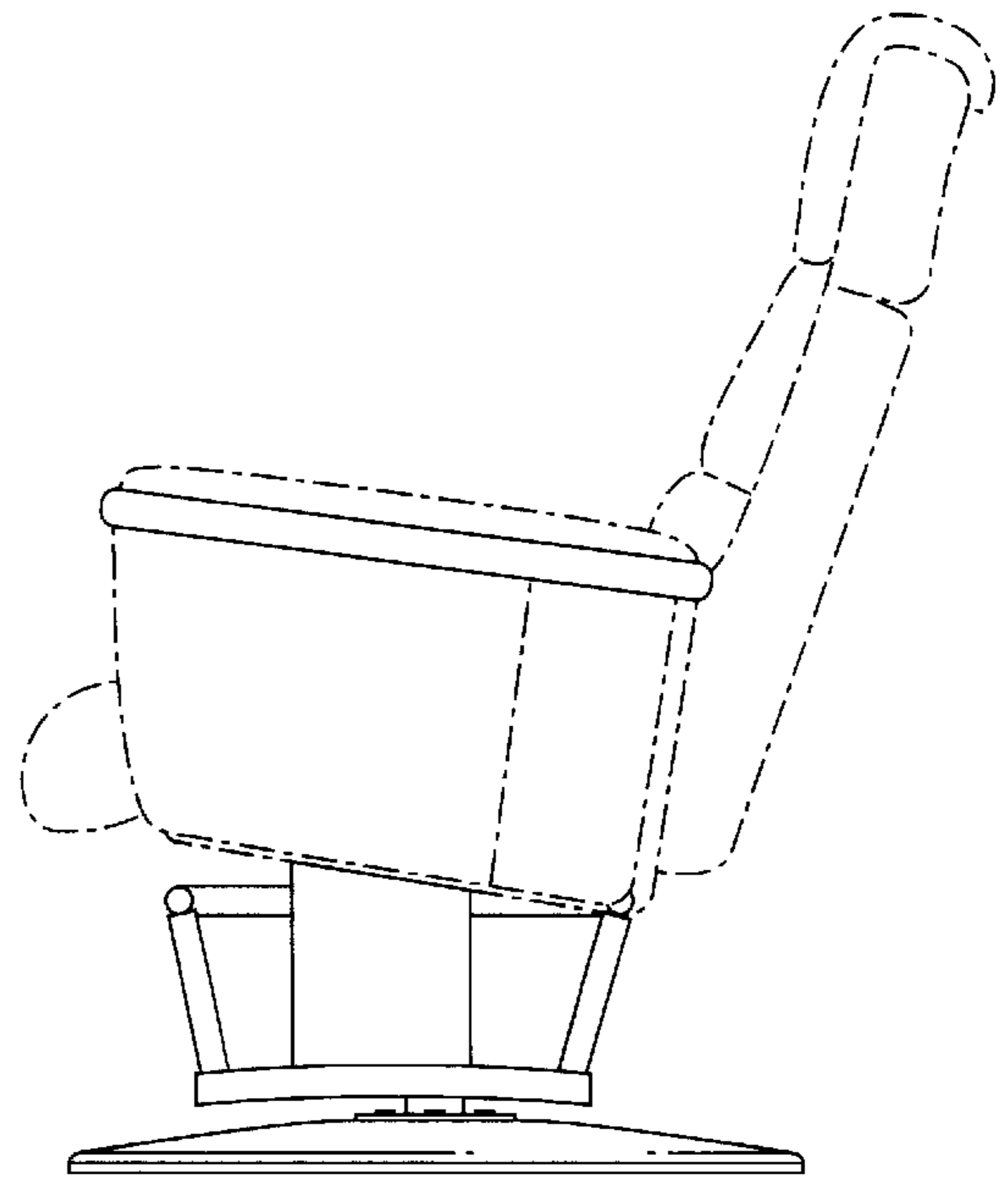


Fig. 6