



US00D457332S

(12) **United States Design Patent**
Liu

(10) **Patent No.:** **US D457,332 S**

(45) **Date of Patent:** **** May 21, 2002**

(54) **SWING CHAIR**

(76) Inventor: **Lausan Chung-Hsin Liu**, No. 243,
Chien-Kuo Rd., Hsin-Tien City, Taipei
Hsien (TW)

(**) Term: **14 Years**

(21) Appl. No.: **29/145,618**

(22) Filed: **Jul. 27, 2001**

(51) **LOC (7) Cl.** **06-01**

(52) **U.S. Cl.** **D6/347**

(58) **Field of Search** D6/334, 335, 344,
D6/346, 347, 374, 375, 500-502; 297/273,
277, 280, 281, 452.13, 452.19, 452.2; 472/118,
125

(56) **References Cited**

U.S. PATENT DOCUMENTS

D408,639 S	*	4/1999	Noll	D6/347
5,957,780 A	*	9/1999	Grazioli	297/118
D439,423 S	*	3/2001	Tseng	D6/344
D450,939 S	*	11/2001	Liu	D6/347

* cited by examiner

Primary Examiner—Doris V. Coles

Assistant Examiner—Mimosa De

(74) *Attorney, Agent, or Firm*—Bacon & Thomas, PLLC

(57) **CLAIM**

The ornamental design for swing chair, as shown and described.

DESCRIPTION

FIG. 1 is a perspective view of swing chair showing our new design thereof;

FIG. 2 is a right side elevational view thereof and the left side elevational view being a mirror image thereof,

FIG. 3 is a top plan view thereof;

FIG. 4 is a front side elevational view

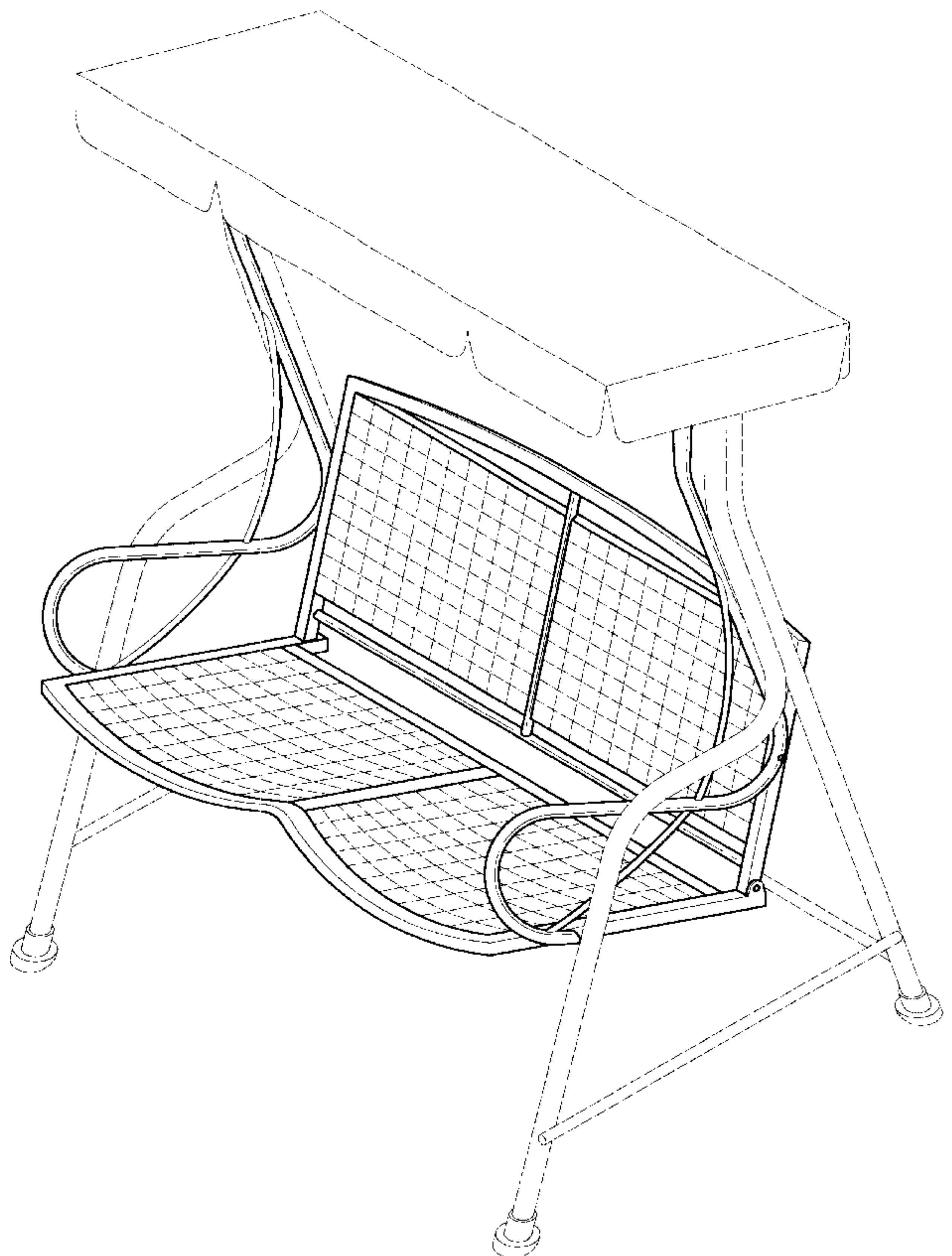
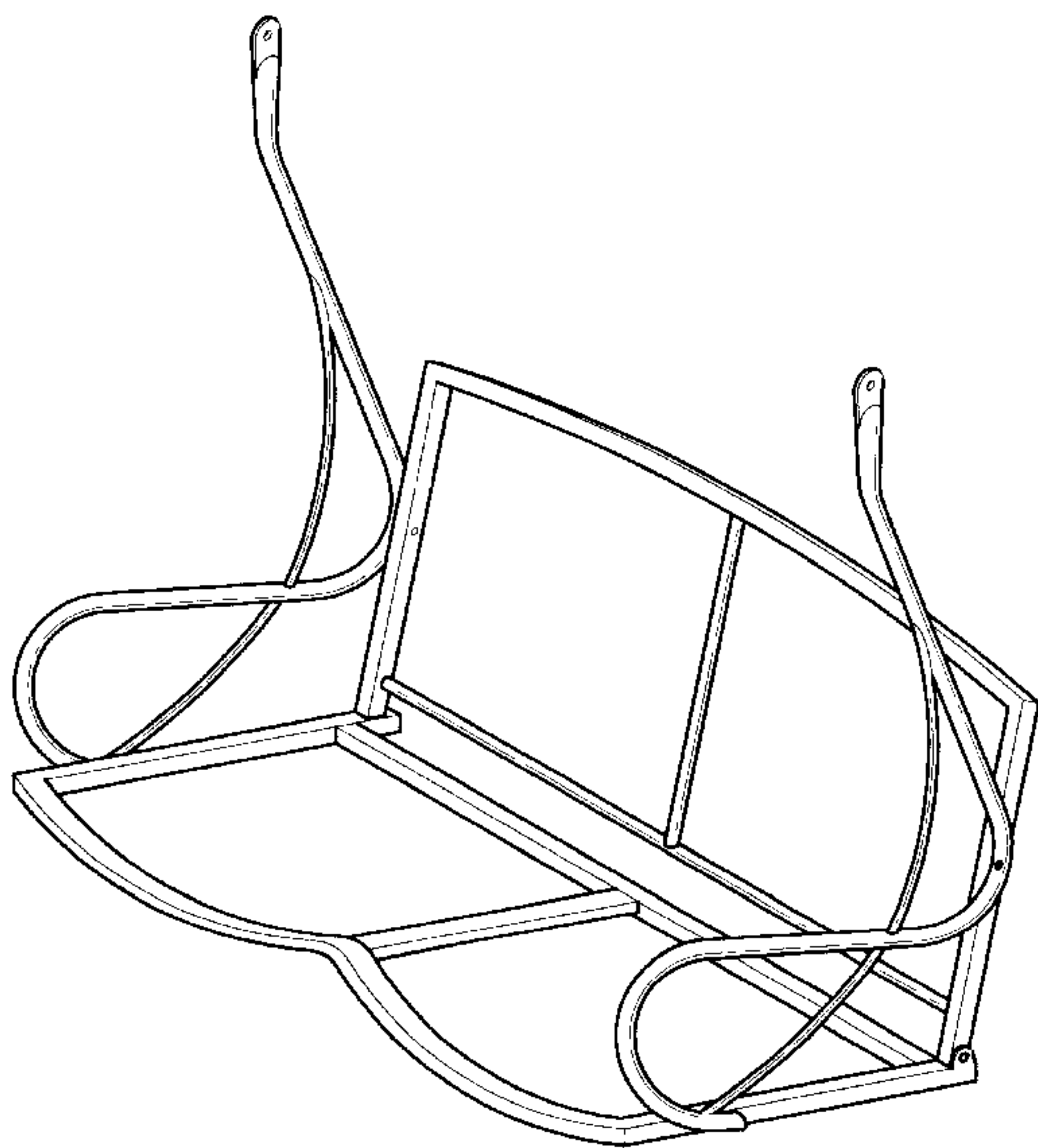
FIG. 5 is a bottom plan view thereof;

FIG. 6 is a rear side elevational view; and,

FIG. 7 is a perspective view thereof shown in using position.

The broken line shown in FIG. 7 is for illustrative purposes only and forms no part of the claimed design.

1 Claim, 6 Drawing Sheets



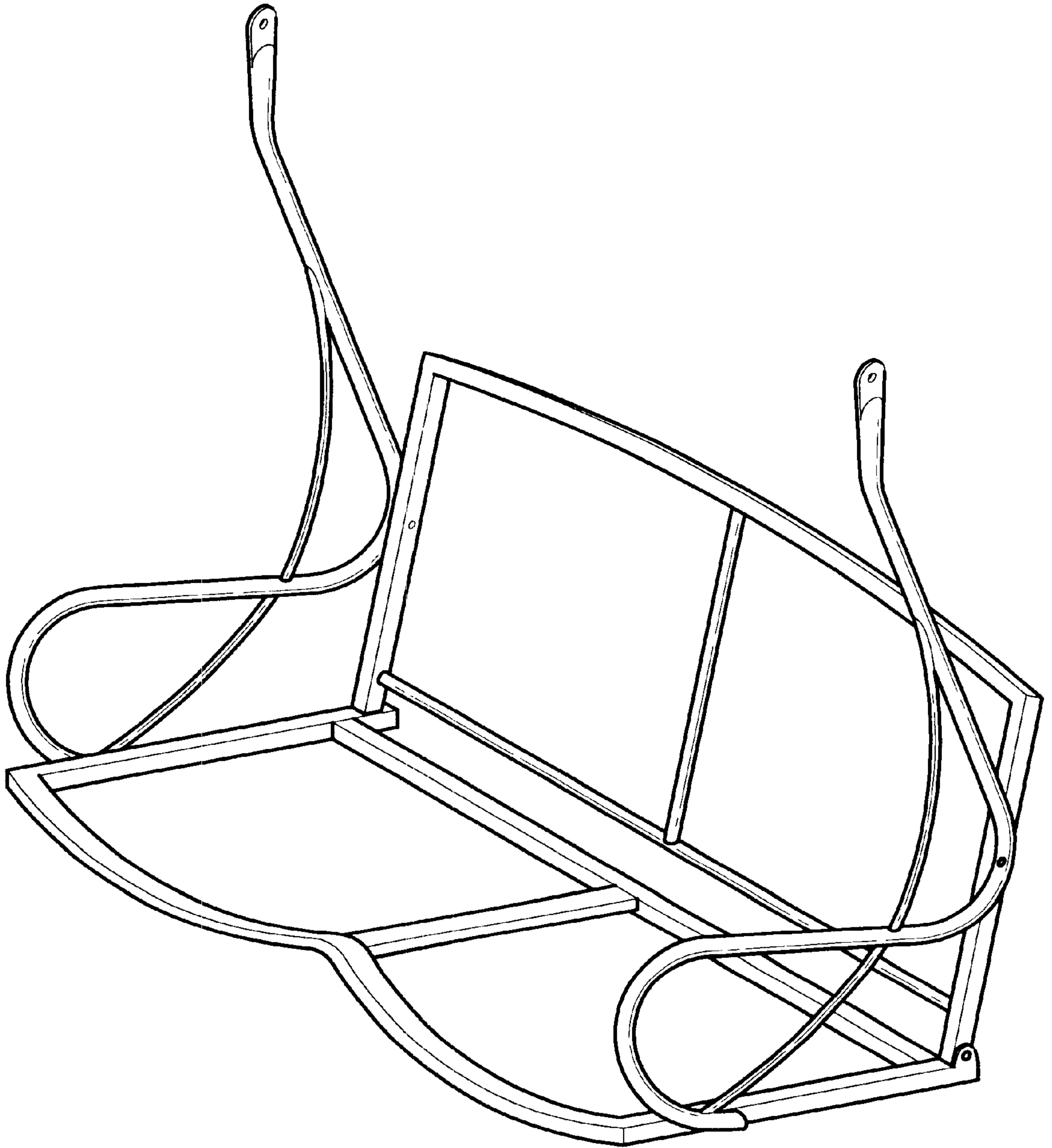


Fig. 1

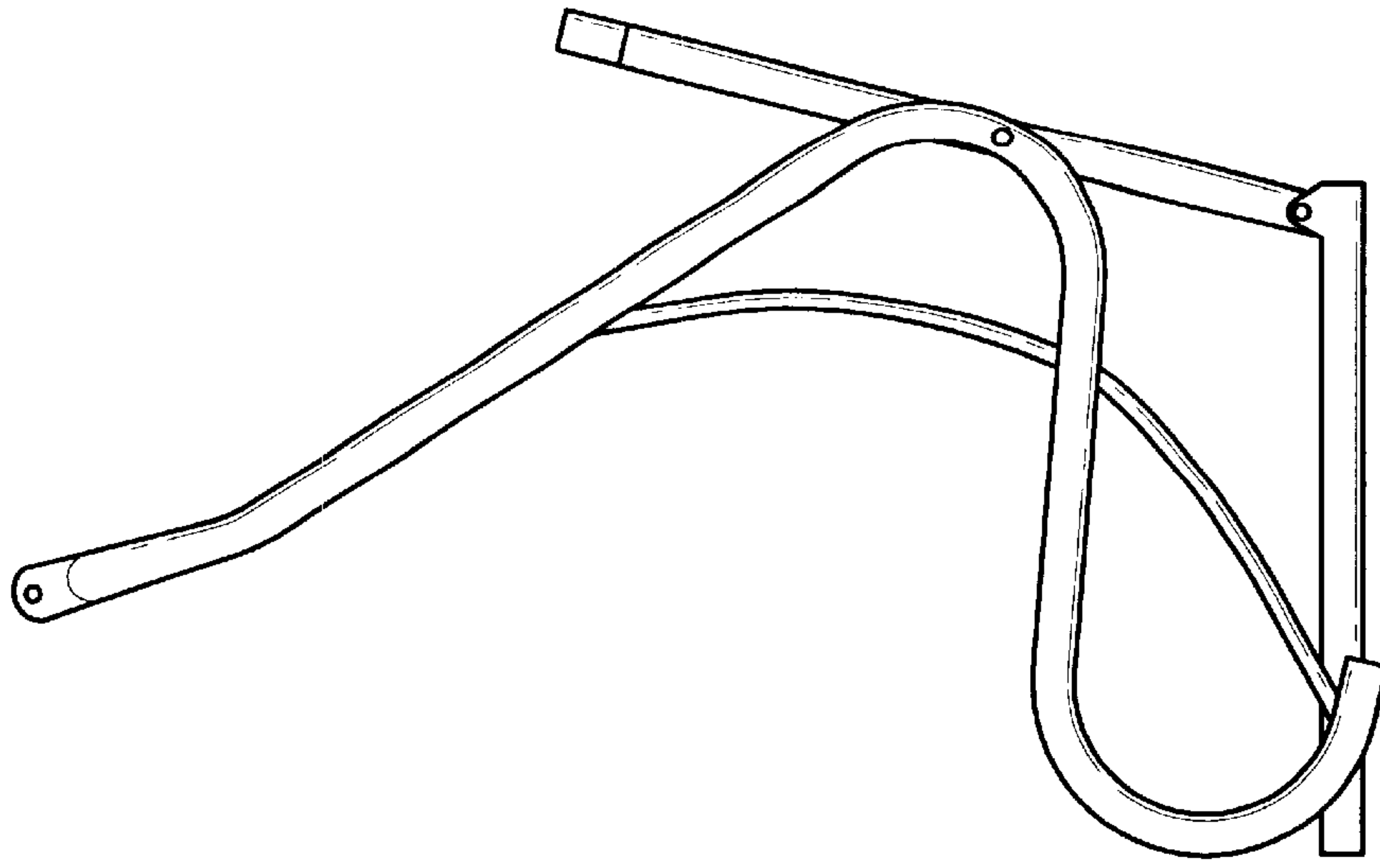


Fig. 2

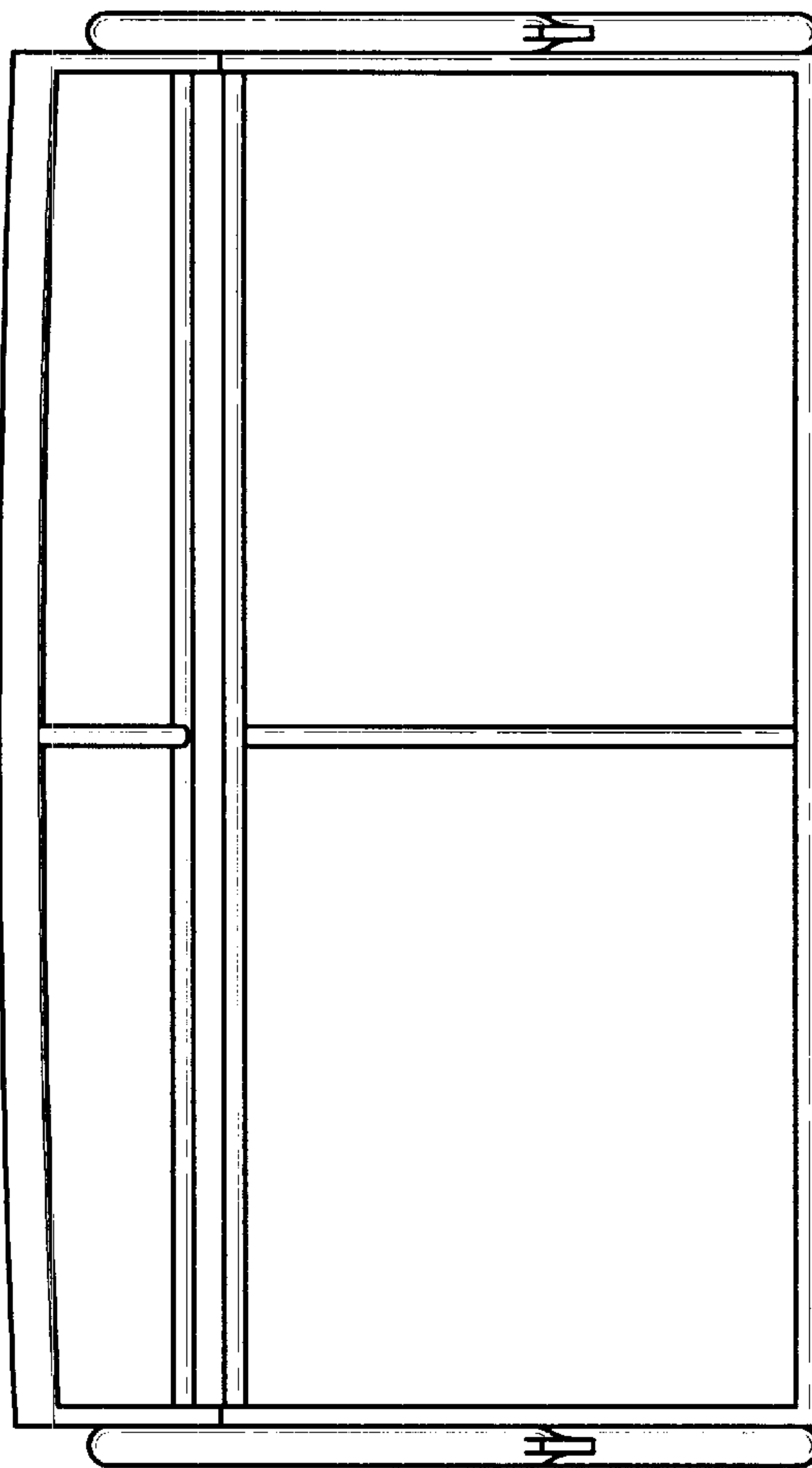


Fig. 3

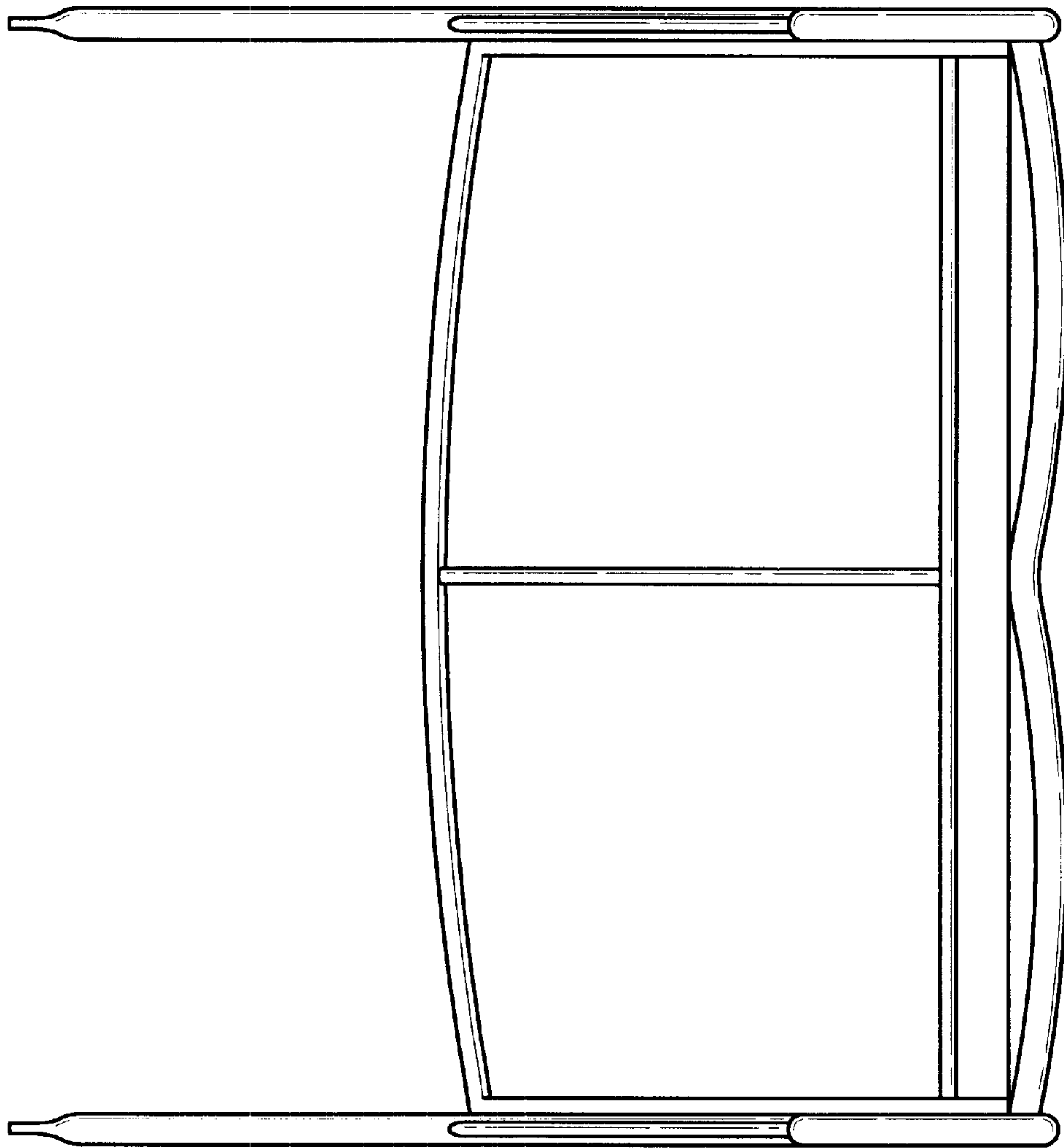


Fig. 4

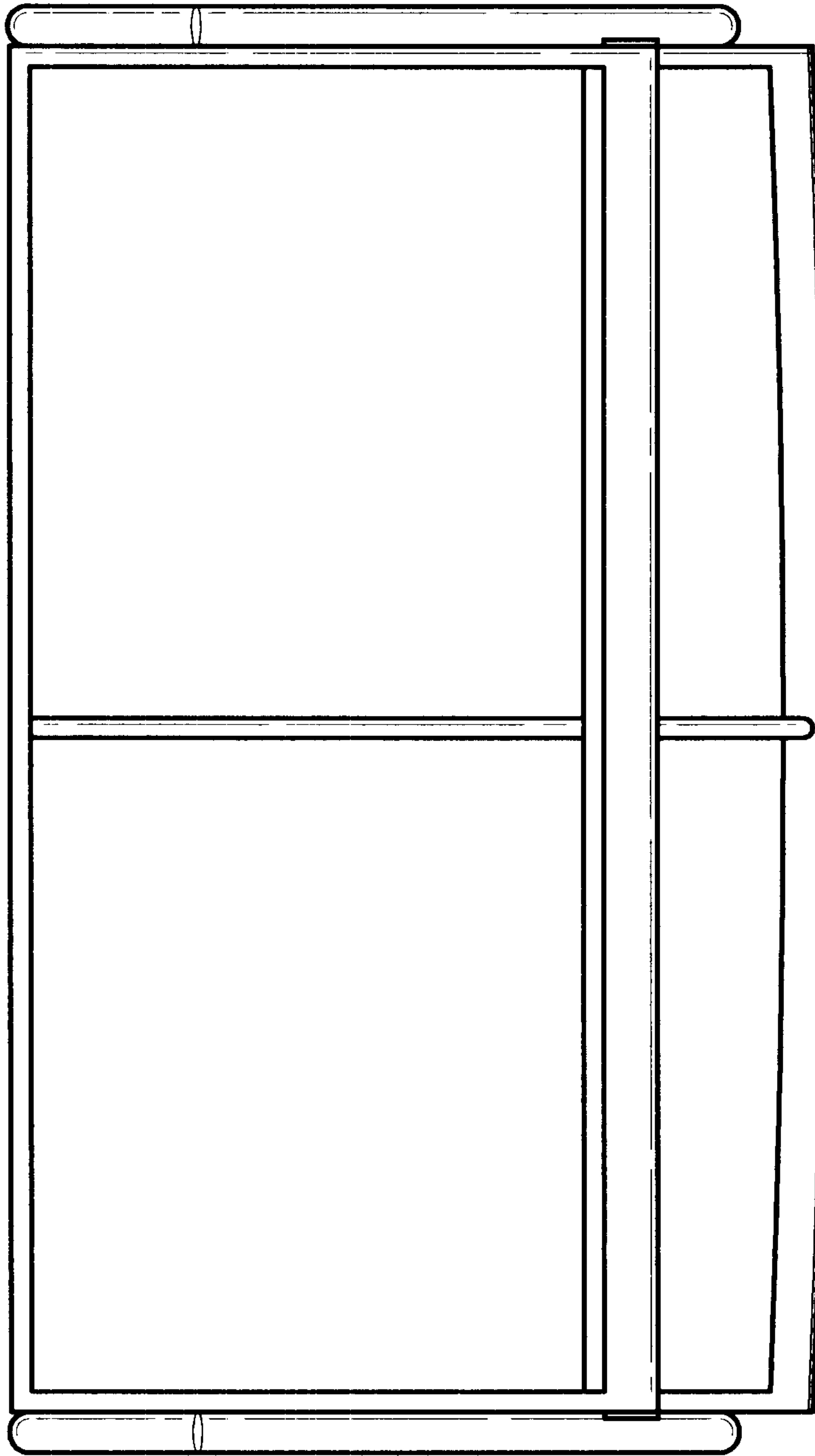


Fig. 5

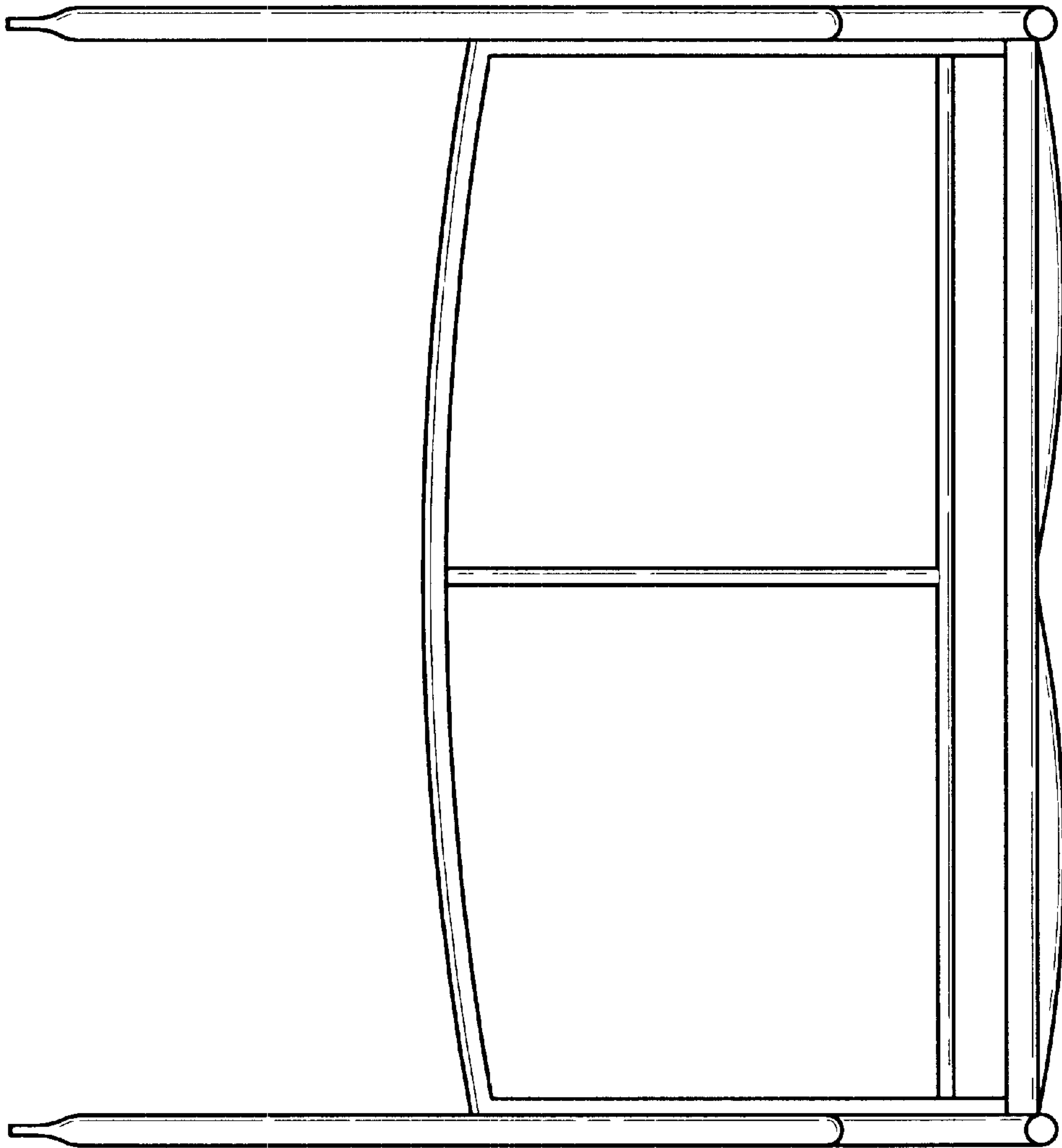


Fig. 6

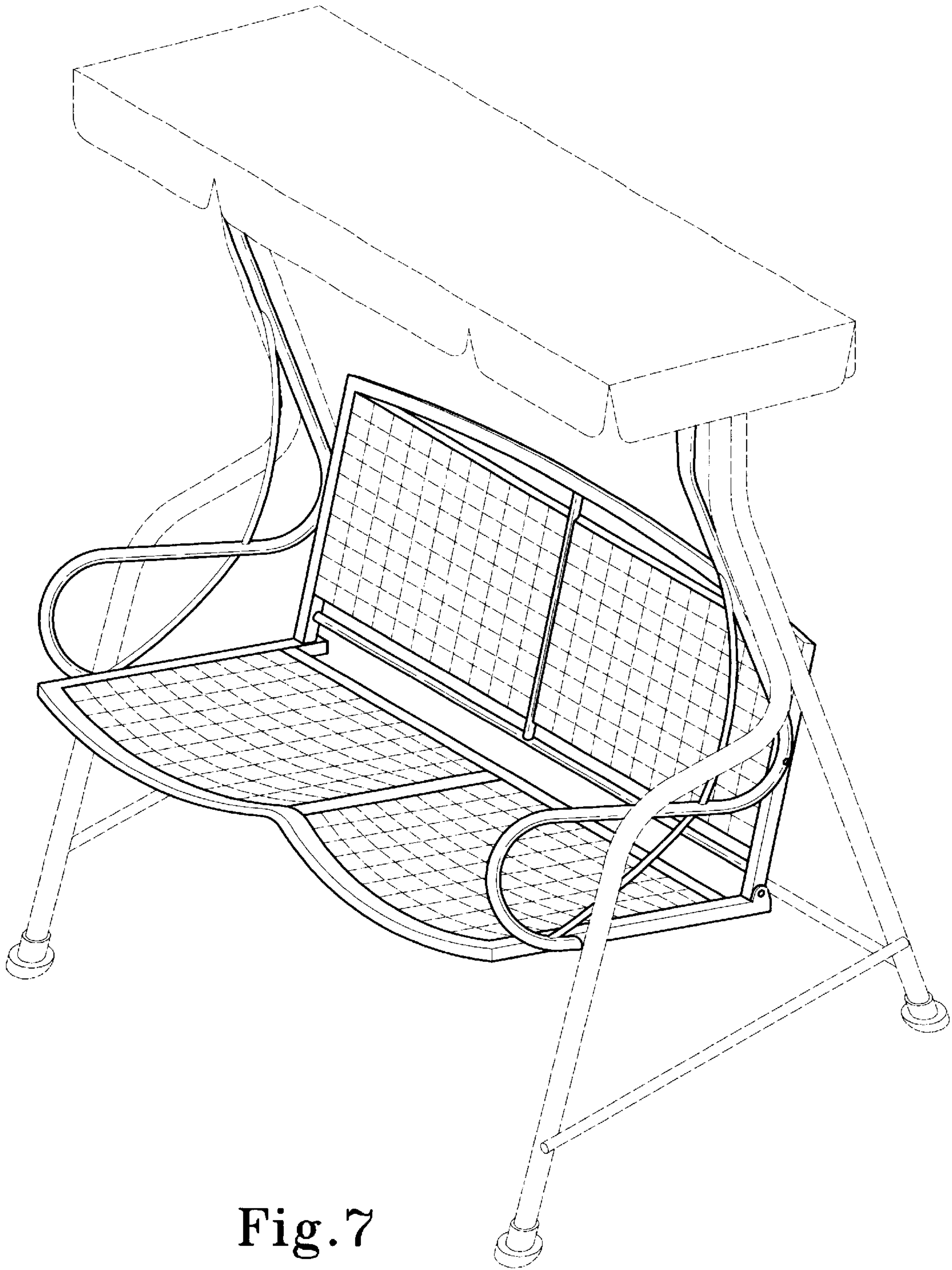


Fig.7