



US00D457321S

(12) **United States Design Patent**
Venturini

(10) **Patent No.:** **US D457,321 S**

(45) **Date of Patent:** **** May 21, 2002**

(54) **CLASP FOR HANDBAGS AND LEATHER GOODS**

(75) Inventor: **Maria Silvia Venturini, Rome (IT)**

(73) Assignee: **Fendi Adele S.R.L., Rome (IT)**

(**) Term: **14 Years**

(21) Appl. No.: **29/130,770**

(22) Filed: **Oct. 5, 2000**

(30) **Foreign Application Priority Data**

Apr. 5, 2000 (XH) DM/051 630

(51) **LOC (7) Cl.** **03-99**

(52) **U.S. Cl.** **D3/324**

(58) **Field of Search** D3/201, 232, 318,
D3/323, 324, 325, 326; D2/627; D8/382;
D11/200, 216-219; D30/139; 24/170, 335,
616; 150/118, 120; 248/305

(56) **References Cited**

U.S. PATENT DOCUMENTS

438,182 A * 10/1890 Regan D30/139
D22,427 S * 5/1893 Zeller D30/139

D77,791 S * 2/1929 Slote D11/218
2,119,961 A * 6/1938 Walker et al. 24/170
D157,386 S * 2/1950 Lombardi D11/218
D377,120 S * 1/1997 Fendi D11/200 X

* cited by examiner

Primary Examiner—Louis S. Zarfes
Assistant Examiner—Monica A. Weingart
(74) *Attorney, Agent, or Firm*—Reising, Ethington, Barnes,
Kisselle, Learman & McCulloch, P.C.

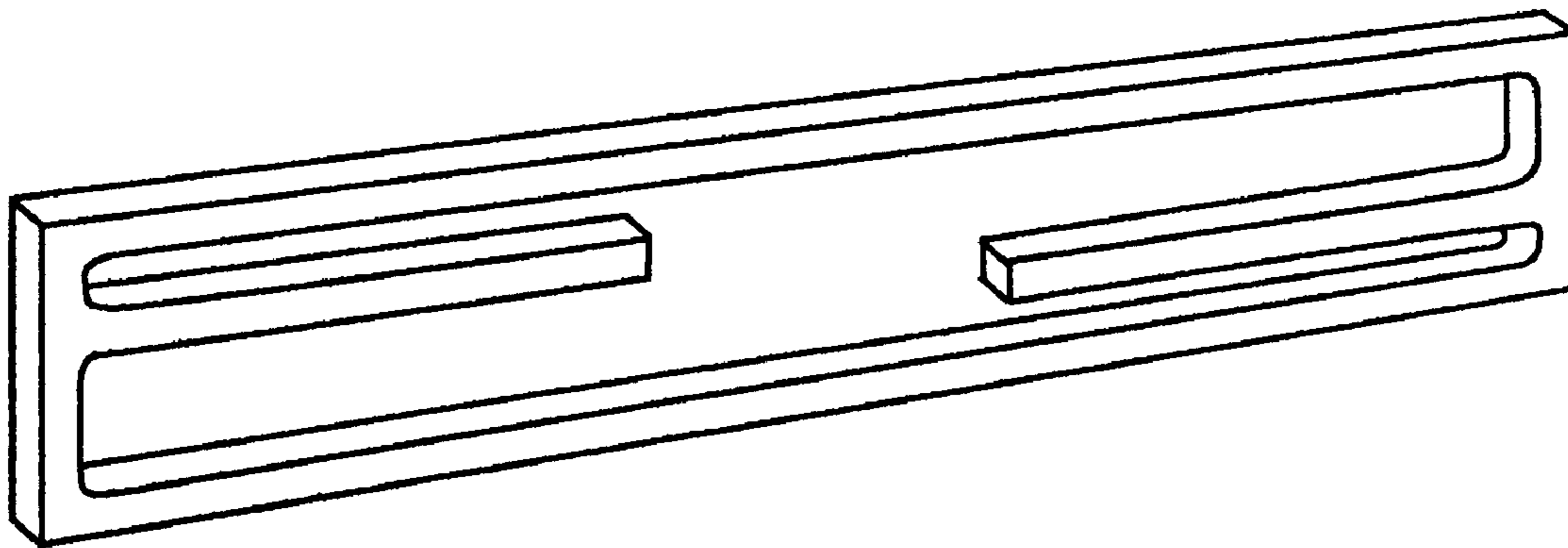
(57) **CLAIM**

The ornamental design for a clasp for handbags and leather goods, as shown and described.

DESCRIPTION

FIG. 1 is a front view of the clasp for handbags and leather goods;
FIG. 2 is a left side view;
FIG. 3 is a rear view;
FIG. 4 is a right side view;
FIG. 5 is a top view;
FIG. 6 is a bottom view; and,
FIG. 7 is a perspective view.

1 Claim, 1 Drawing Sheet



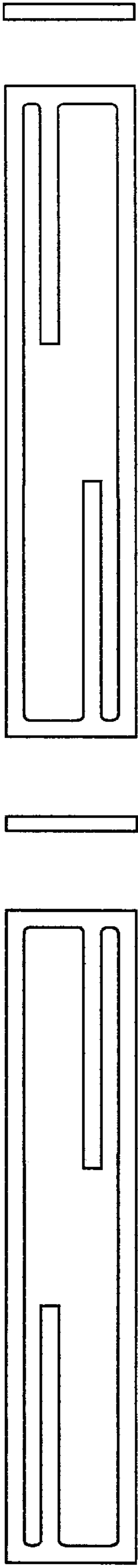


FIG. 1

FIG. 2

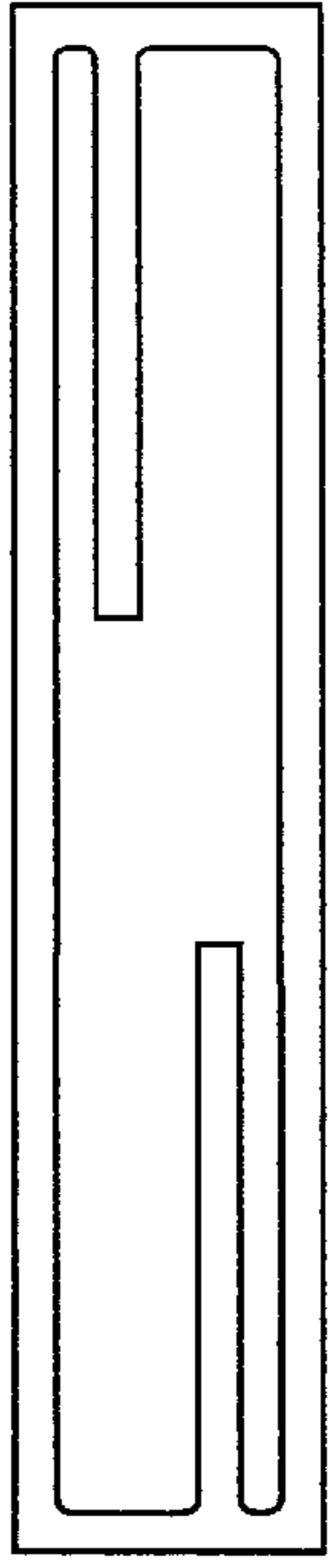


FIG. 3

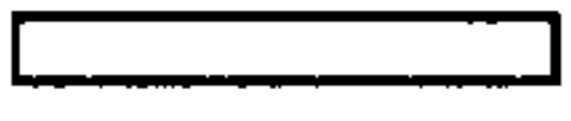


FIG. 4



FIG. 5



FIG. 6

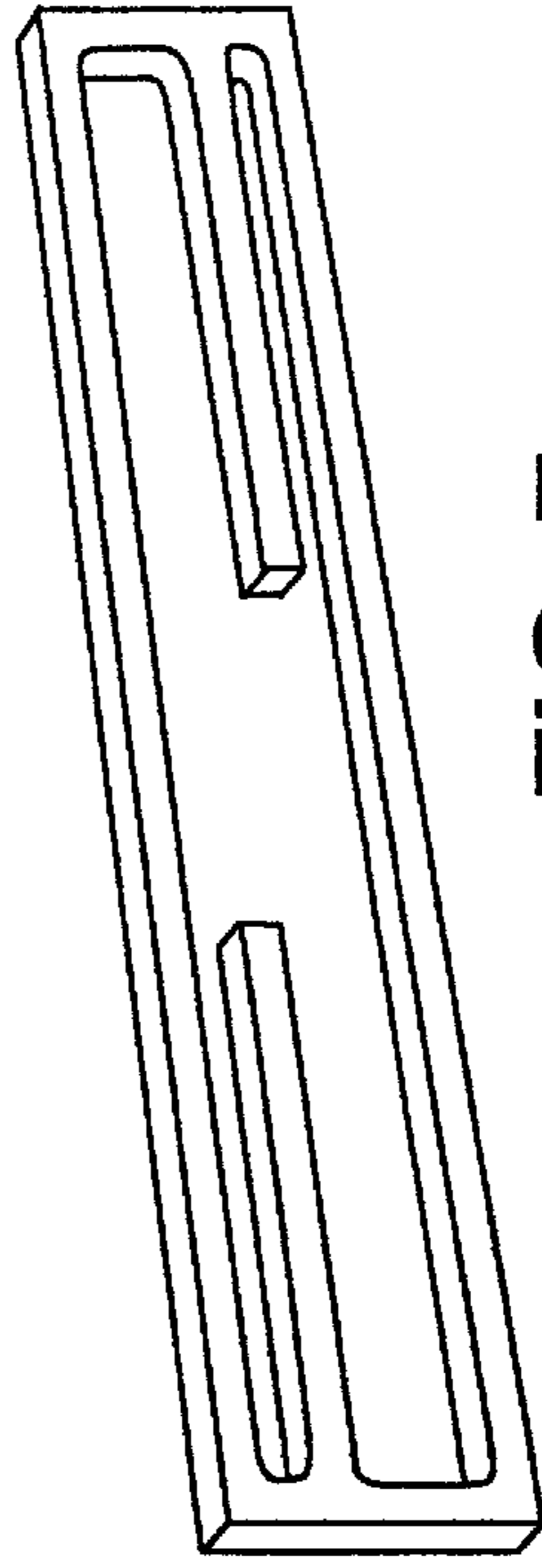


FIG. 7