



US00D457319S

(12) **United States Design Patent**
Fairchild

(10) **Patent No.:** **US D457,319 S**

(45) **Date of Patent:** **** May 21, 2002**

(54) **WRENCH AND SOCKET HOLDER**

(76) Inventor: **David C. Fairchild**, 2507 Commerce Ave., Grand Island, NE (US) 68801-7324

(**) Term: **14 Years**

(21) Appl. No.: **29/148,721**

(22) Filed: **Sep. 26, 2001**

(51) **LOC (7) Cl.** **03-01**

(52) **U.S. Cl.** **D3/310**

(58) **Field of Search** D3/304-315, 901, D3/905; 206/557-566; 220/570, 571, 575, 656-659, DIG. 12-14; 312/902; D6/400, 574, 567, 569; D24/230

(56) **References Cited**

U.S. PATENT DOCUMENTS

D251,819 S	5/1979	Nuttall et al.	D6/4
D286,119 S	10/1986	Enquist	D6/552
D309,687 S	8/1990	Embree et al.	D6/567
D310,762 S	9/1990	Embree et al.	D6/569
4,997,085 A *	3/1991	Brennan	206/493
D340,827 S	11/1993	Hubbard	D6/567

D355,554 S	2/1995	Phelps	D6/567
D426,061 S *	6/2000	Naegele et al.	D3/304
6,257,409 B1 *	7/2001	Lin	206/565

* cited by examiner

Primary Examiner—Ian Simmons

Assistant Examiner—Deanne Levy

(74) *Attorney, Agent, or Firm*—Mark Frederiksen

(57) **CLAIM**

The ornamental design for a wrench and socket holder, as shown and described.

DESCRIPTION

FIG. 1 is a perspective view of the wrench and socket holder showing my new design;

FIG. 2 is an end elevational view taken from the upper end of FIG. 3;

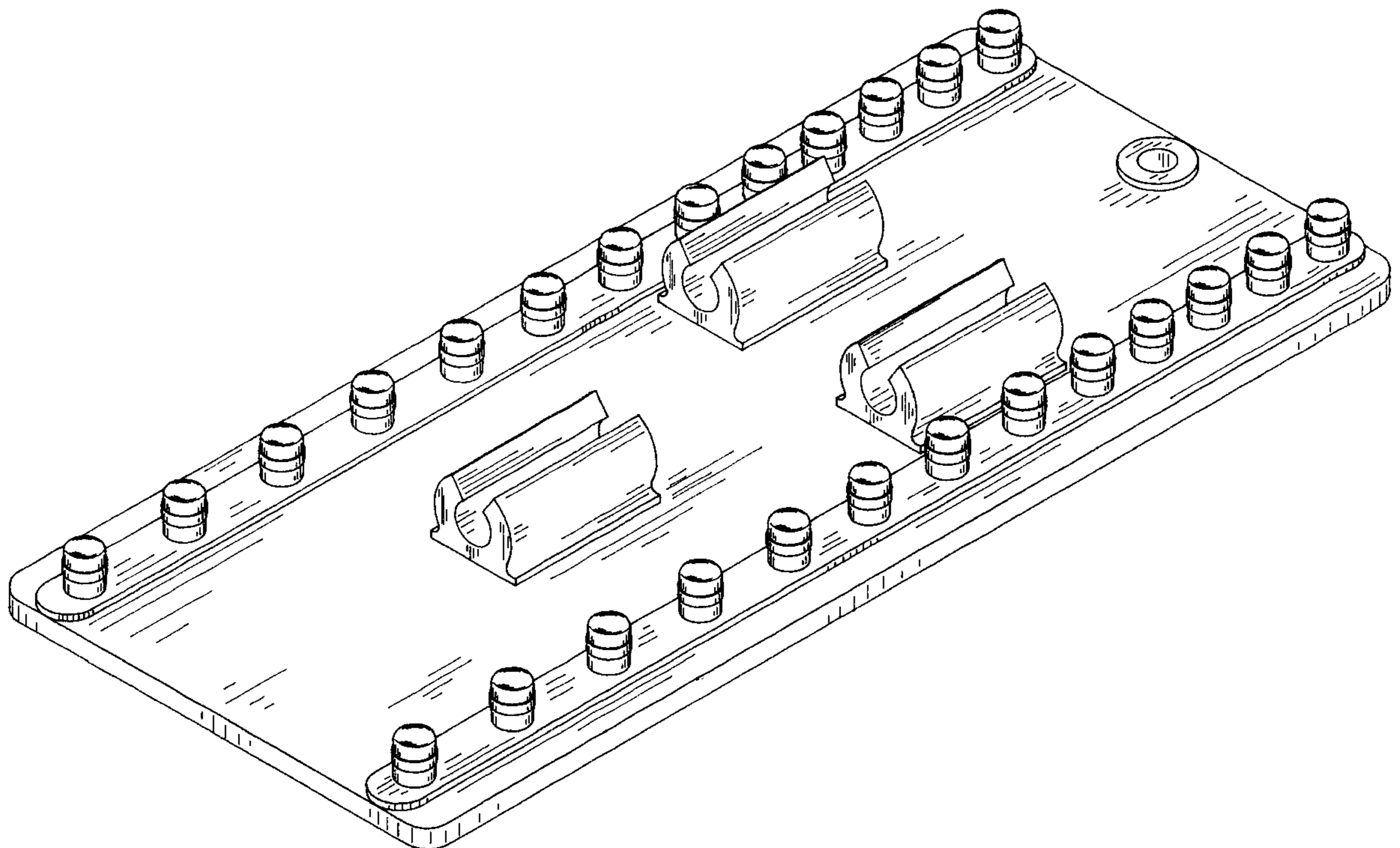
FIG. 3 is a top view thereof;

FIG. 4 is a right side elevational view thereof, the left elevational view being a mirror image;

FIG. 5 is a bottom plan view thereof; and,

FIG. 6 is an end elevational view taken from the lower end of FIG. 3.

1 Claim, 2 Drawing Sheets



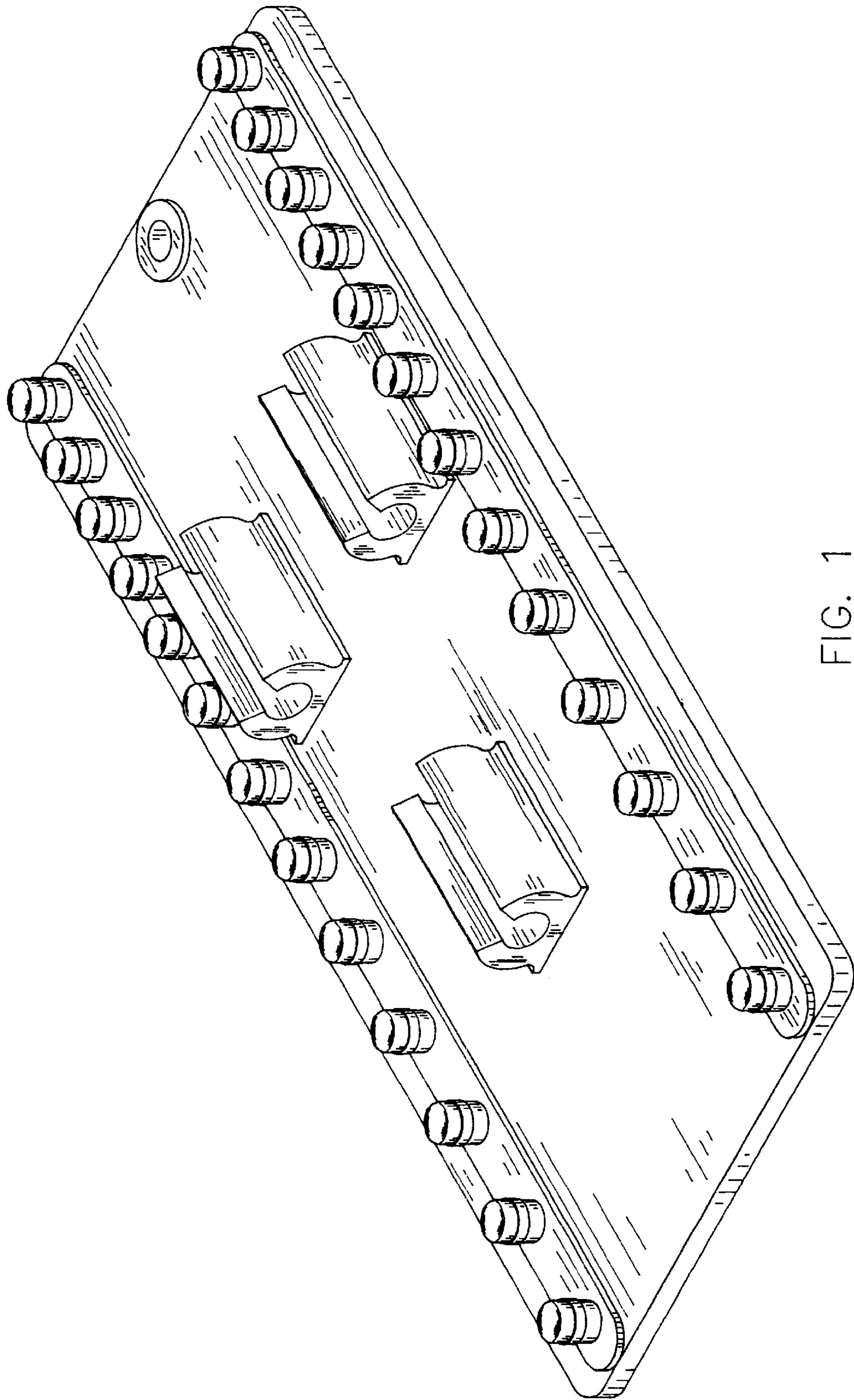


FIG. 1



FIG. 2

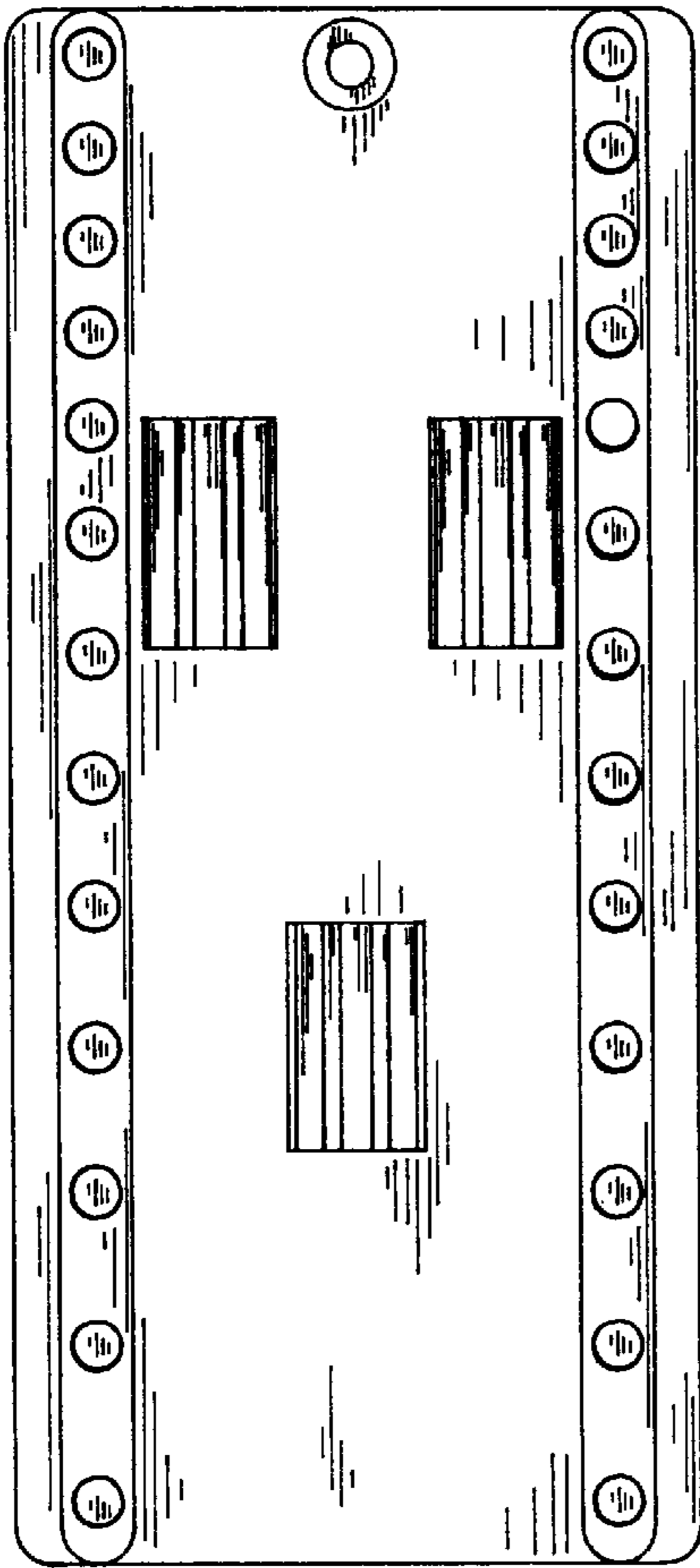


FIG. 3



FIG. 4

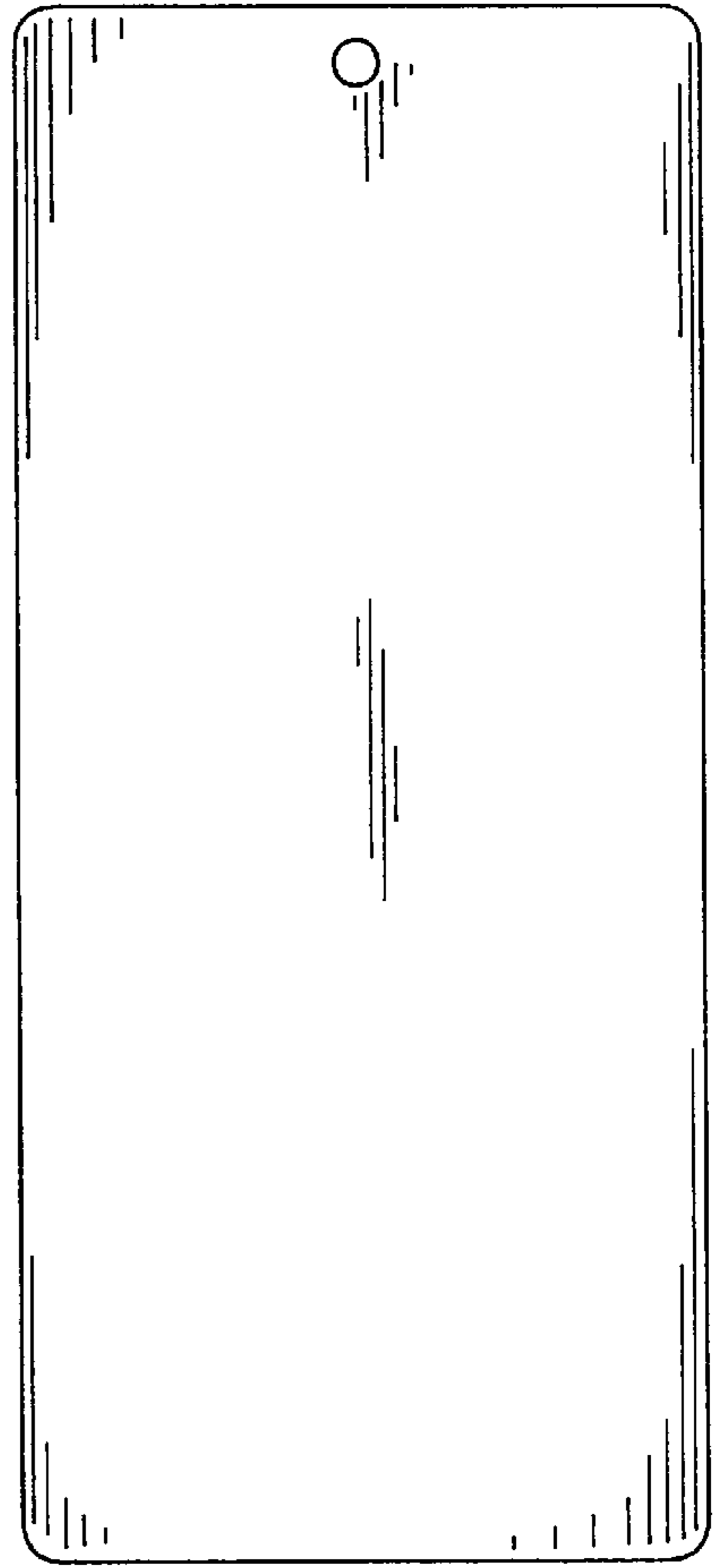


FIG. 5



FIG. 6