



US00D457316S

(12) **United States Design Patent**  
**Swade**

(10) **Patent No.:** **US D457,316 S**

(45) **Date of Patent:** **\*\* May 21, 2002**

(54) **BAG FOR TRAVEL PILLOW**

D428,295 S \* 7/2000 Frye ..... D6/601  
6,216,297 B1 \* 4/2001 Lemke ..... 5/636

(76) Inventor: **Cheryl Swade**, 1025 Granville Ave.,  
#21, Los Angeles, CA (US) 90049

\* cited by examiner

(\*\*) Term: **14 Years**

*Primary Examiner*—Philip S. Hyder  
(74) *Attorney, Agent, or Firm*—Kelly Bauersfeld Lowry &  
Kelley, LLP

(21) Appl. No.: **29/138,843**

(22) Filed: **Mar. 20, 2001**

(57) **CLAIM**

(51) **LOC (7) Cl.** ..... **03-01**

The ornamental design for a bag for travel pillow, as shown.

(52) **U.S. Cl.** ..... **D3/301; D3/289; D3/303**

**DESCRIPTION**

(58) **Field of Search** ..... D3/273, 276, 285,  
D3/286, 287, 289, 301, 303, 299; 5/636,  
639, 640; 190/100, 109, 110

FIG. 1 is a front, bottom and left side perspective view of a bag for travel pillow embodying my new design;  
FIG. 2 is a left side elevational view thereof;  
FIG. 3 is a right side elevational view thereof;  
FIG. 4 is a front elevational view thereof;  
FIG. 5 is a rear elevational view thereof;  
FIG. 6 is a top plan view thereof; and,  
FIG. 7 is a bottom plan view thereof.

(56) **References Cited**

**U.S. PATENT DOCUMENTS**

4,768,247 A \* 9/1988 Beier ..... 5/636  
D307,825 S \* 5/1990 Makrauer et al. .... D3/301  
D365,204 S \* 12/1995 Chen ..... D3/215  
D414,013 S \* 9/1999 Group ..... D2/828

**1 Claim, 2 Drawing Sheets**

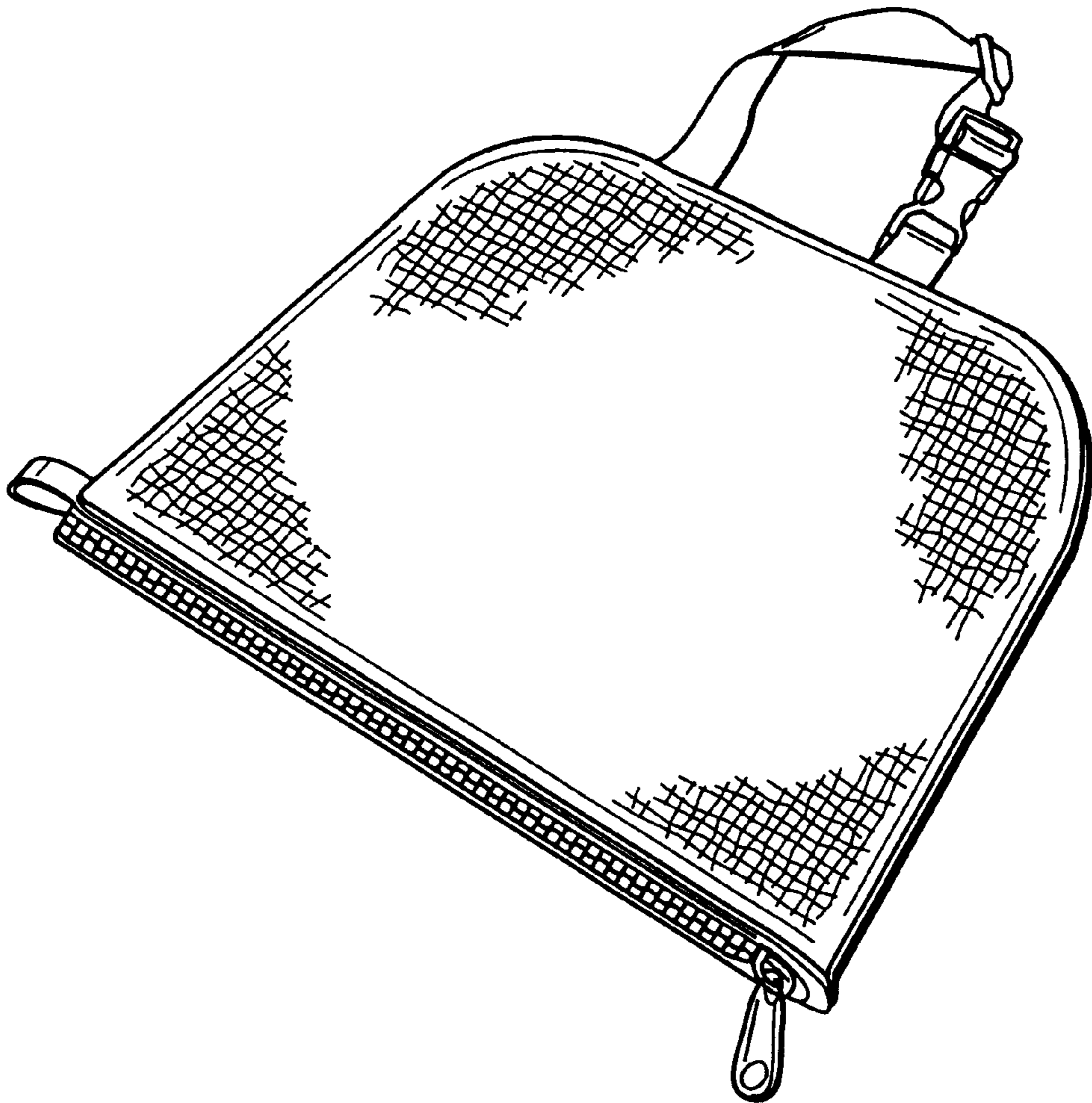


FIG. 1

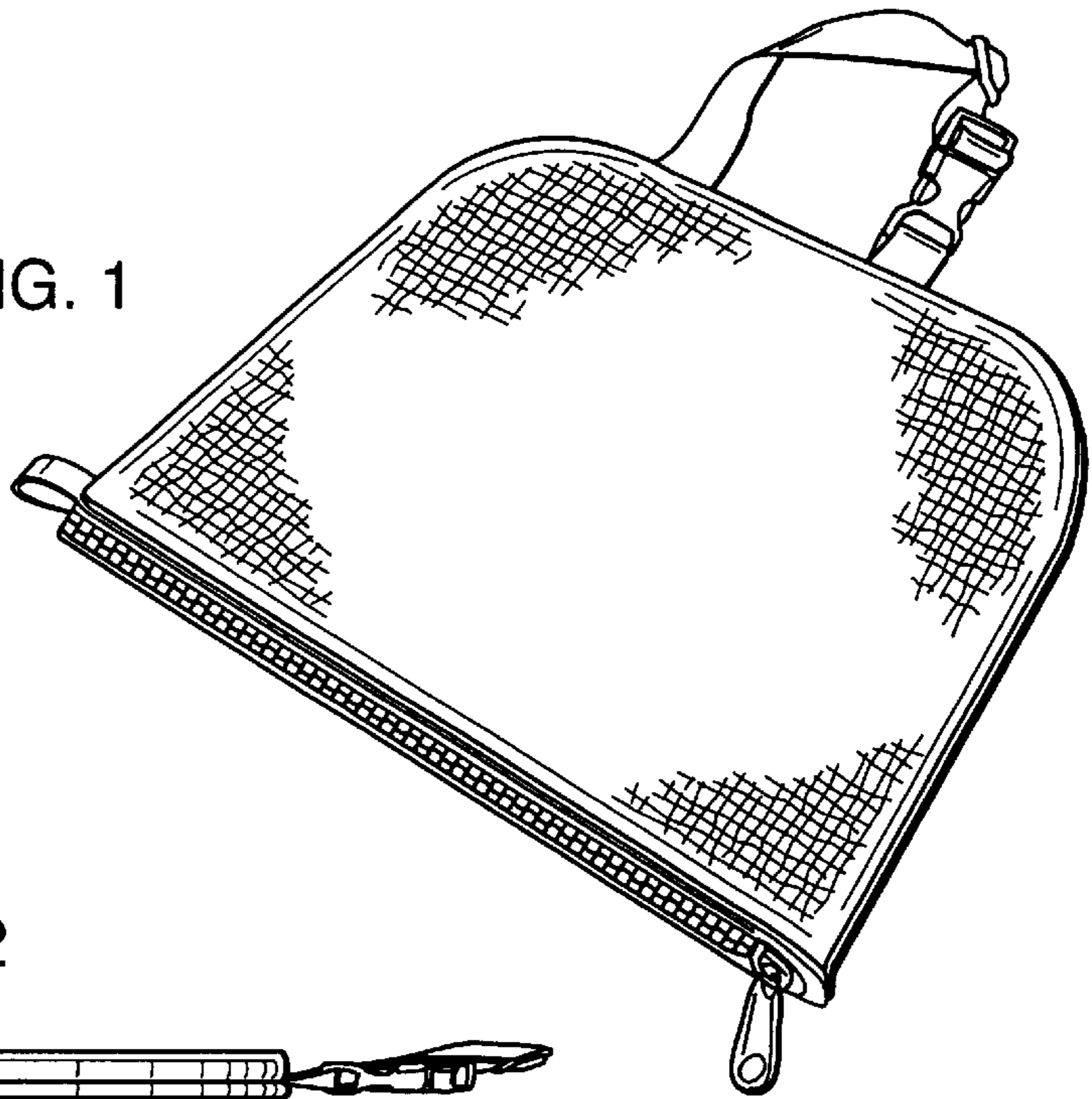


FIG. 2

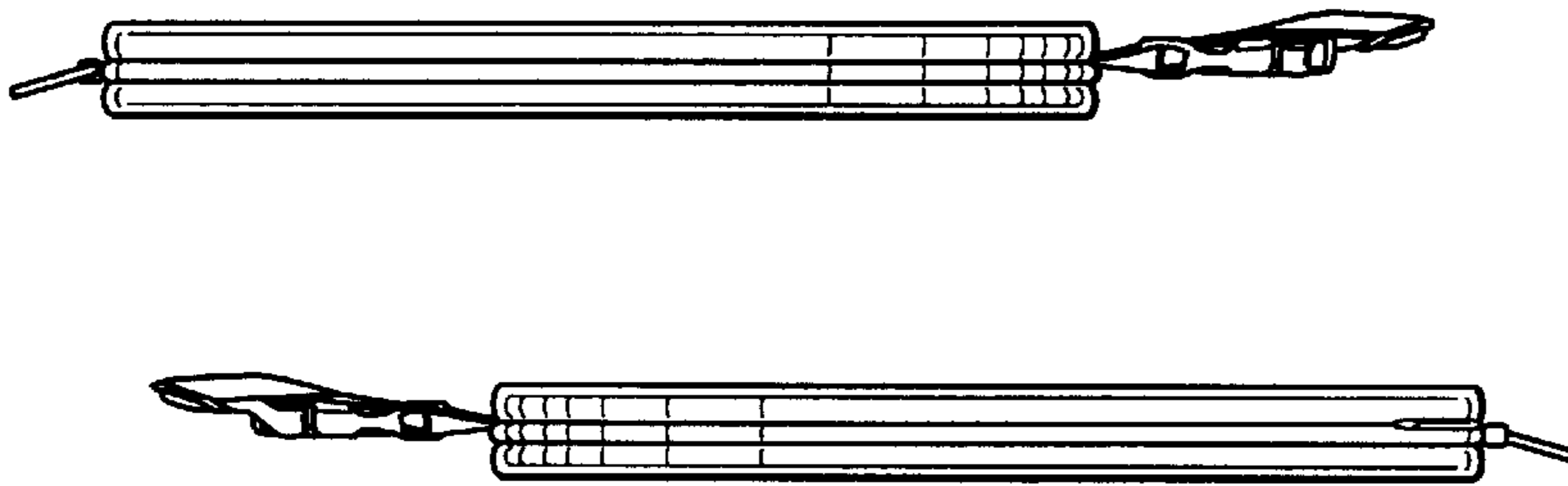


FIG. 3

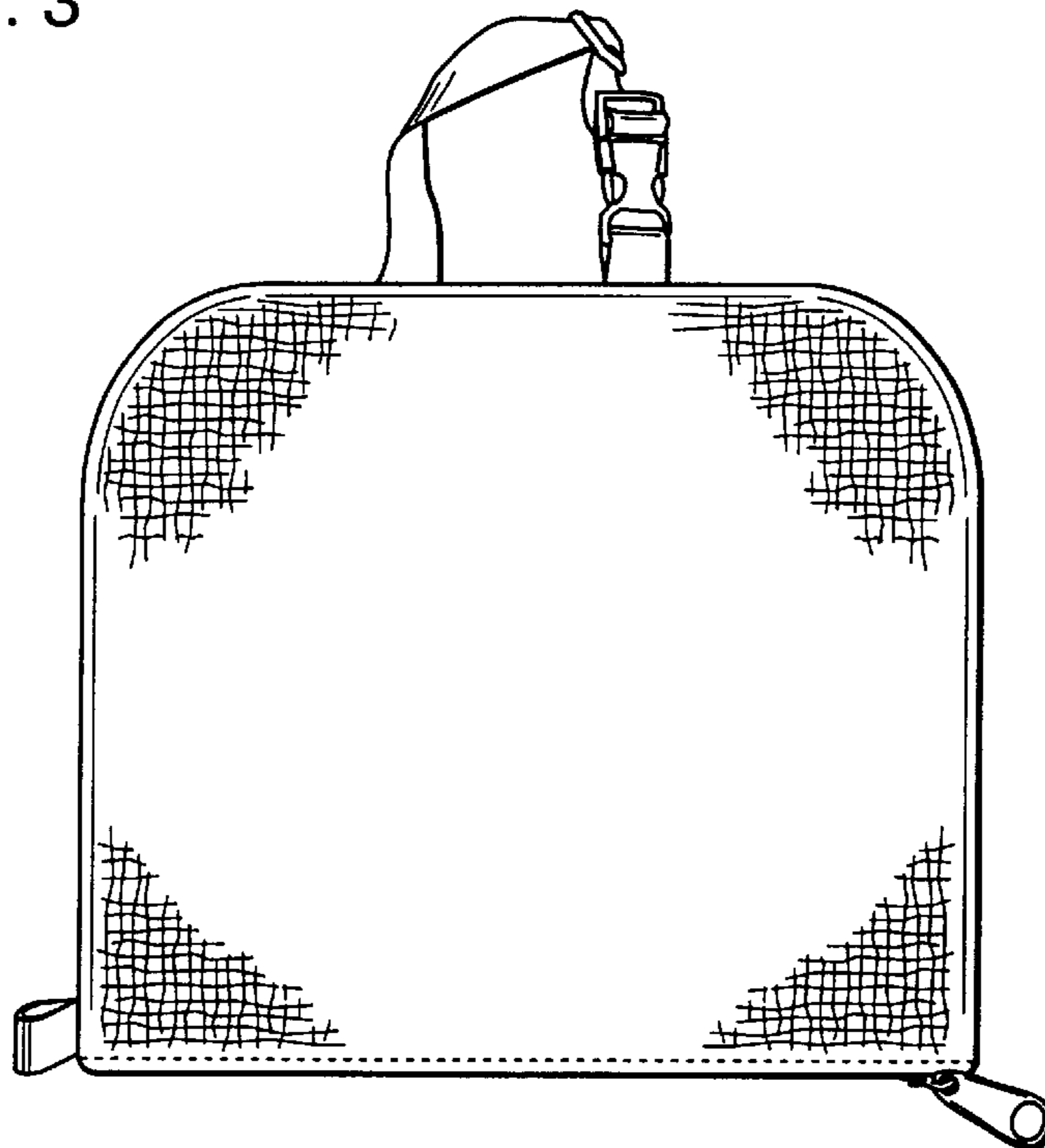


FIG. 4

FIG. 5

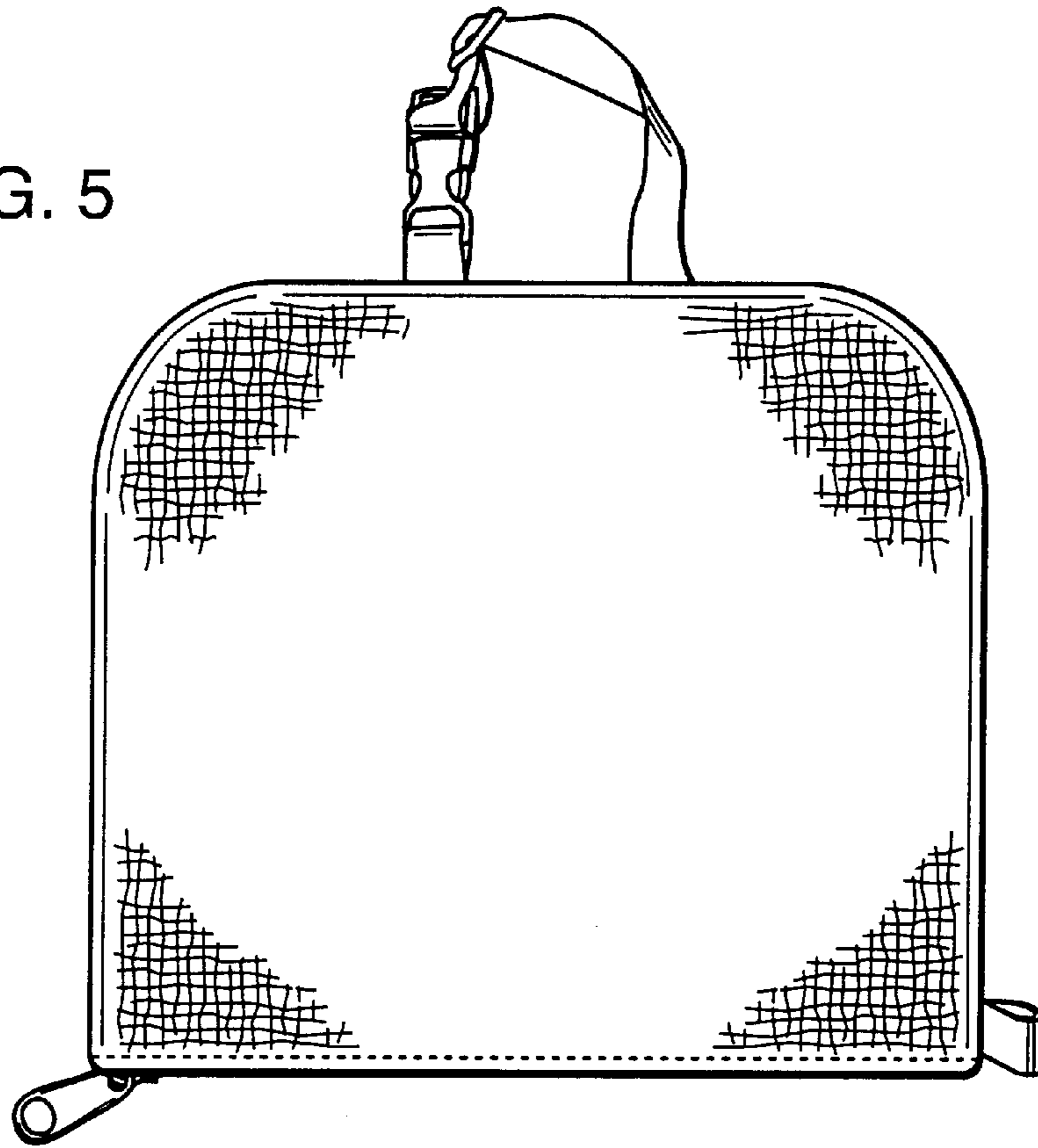


FIG. 6



FIG. 7