



US00D457315S

(12) **United States Design Patent**
Wolf

(10) **Patent No.:** **US D457,315 S**

(45) **Date of Patent:** **** May 21, 2002**

(54) **JEWELRY TRAVEL CASE**

D393,542 S * 4/1998 Thompson D3/294
D417,783 S * 12/1999 Wolf D3/275

(75) Inventor: **Simon Wolf**, Malibu, CA (US)

* cited by examiner

(73) Assignee: **Wolf Designs, Inc.**, Malibu, CA (US)

Primary Examiner—Philip S. Hyder

(**) Term: **14 Years**

(74) *Attorney, Agent, or Firm*—Cislo & Thomas LLP

(21) Appl. No.: **29/139,050**

(57) **CLAIM**

(22) Filed: **Mar. 22, 2001**

The ornamental design for a jewelry travel case, as shown and described herein.

(51) **LOC (7) Cl.** **03-01**

DESCRIPTION

(52) **U.S. Cl.** **D3/290; D3/291**

(58) **Field of Search** D3/273, 276, 291,
D3/283, 284, 294, 303, 295; 206/6.1, 566;
190/110, 100, 109

FIG. 1. Is a front perspective view of my jewelry travel case;
FIG. 2. Is a view similar to FIG. 1, but illustrating the article
in the open position;

FIG. 3. Is a front view thereof;

FIG. 4. Is a rear view thereof;

FIG. 5. Is a left side elevational view thereof;

FIG. 6. Is a right side elevational view thereof;

FIG. 7. Is a top view thereof; and,

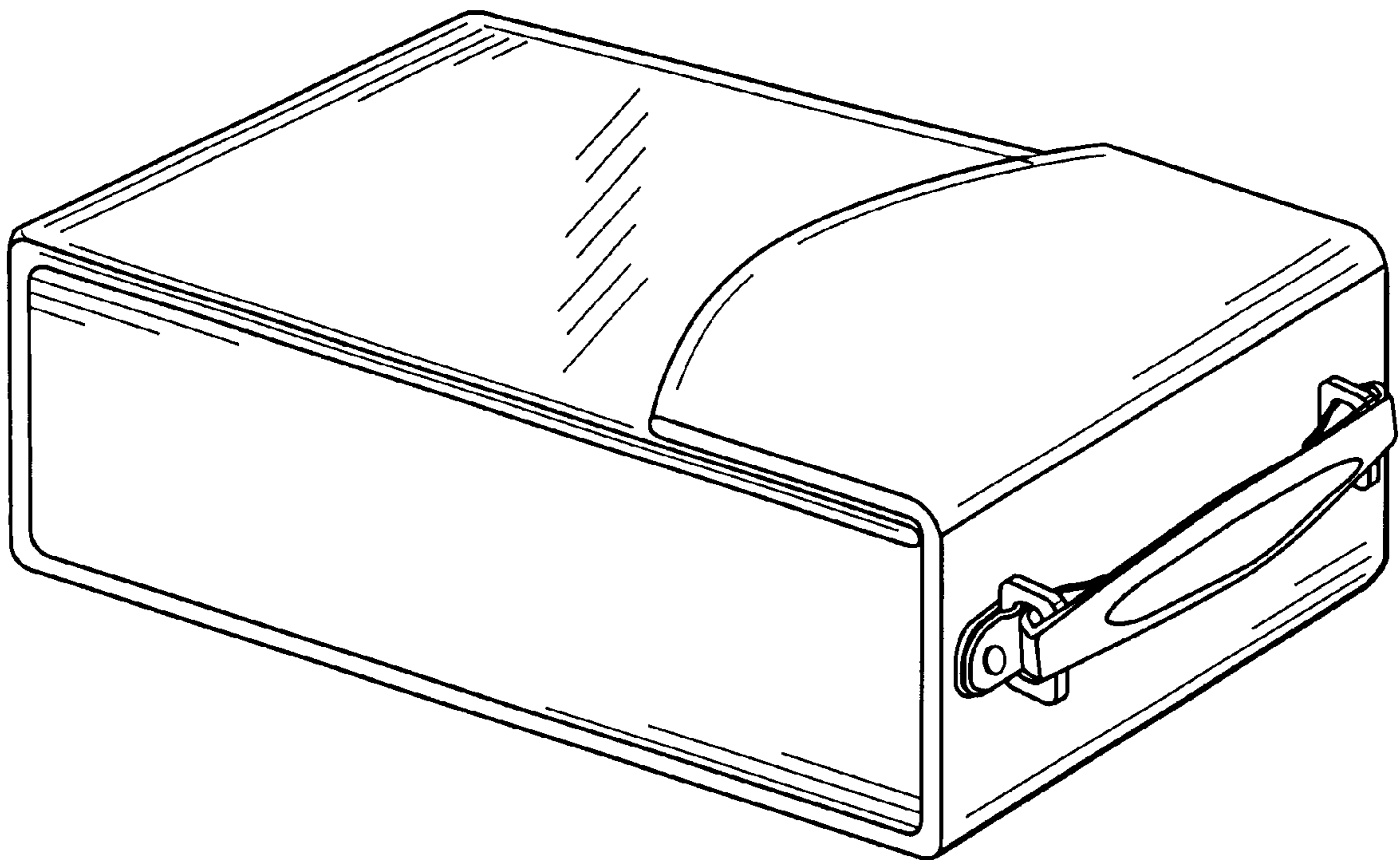
FIG. 8. Is a bottom view thereof.

(56) **References Cited**

U.S. PATENT DOCUMENTS

1,871,197 A * 8/1932 Plotkin 190/109
5,035,319 A * 7/1991 Kunisch 206/566
D342,156 S * 12/1993 Turner D28/83
5,692,605 A * 12/1997 Lai 206/566

1 Claim, 3 Drawing Sheets



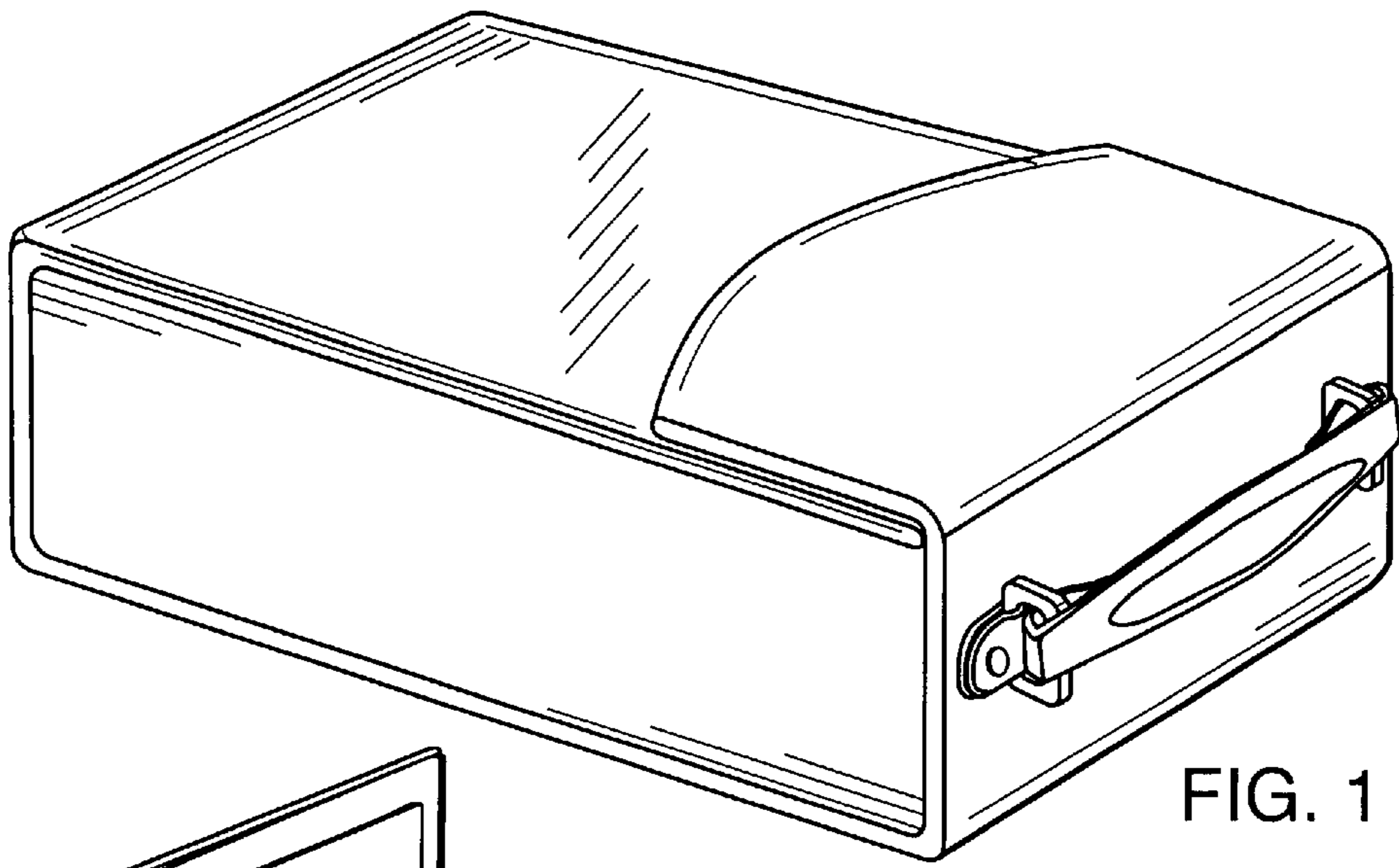


FIG. 1

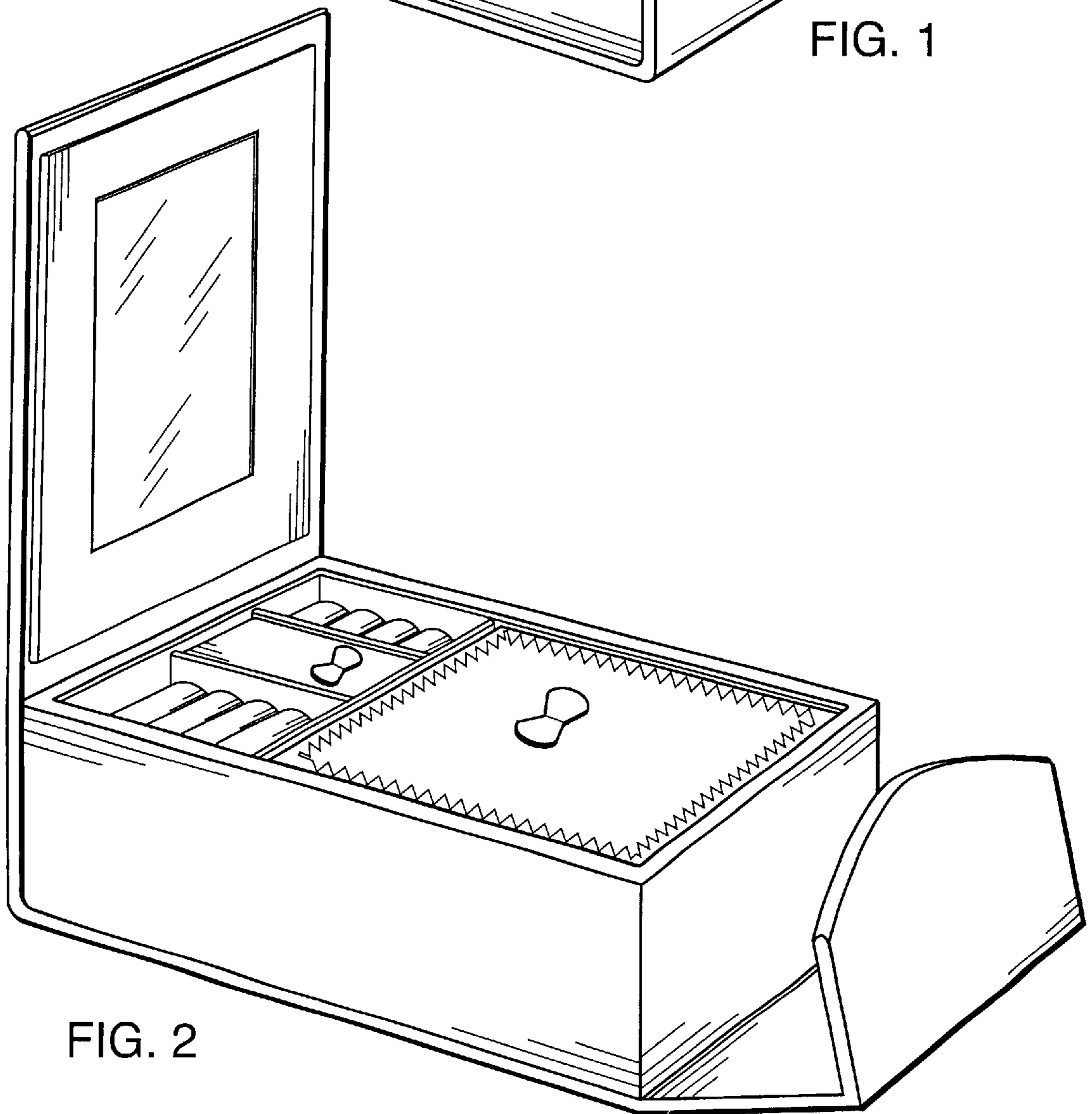


FIG. 2

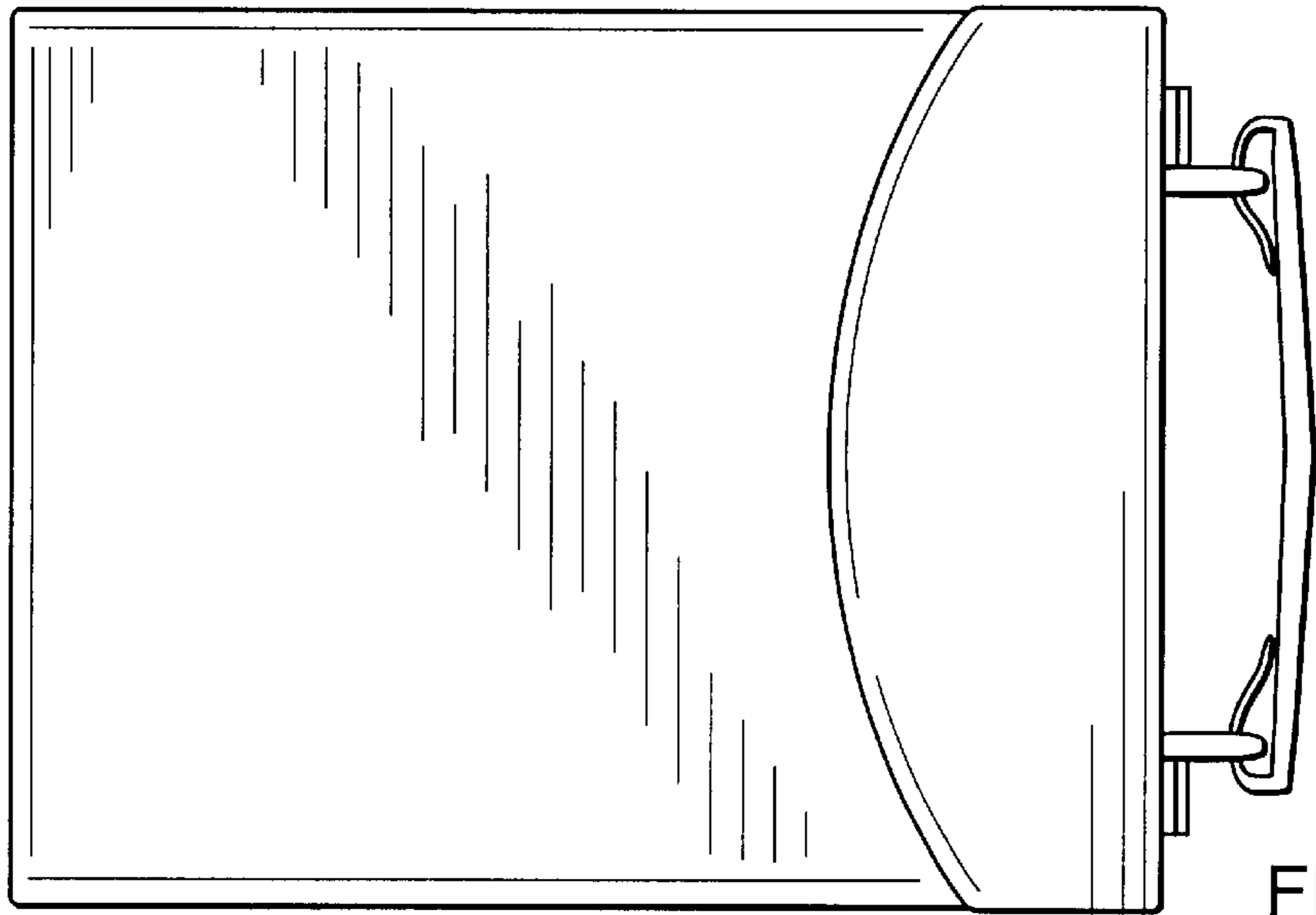


FIG. 3

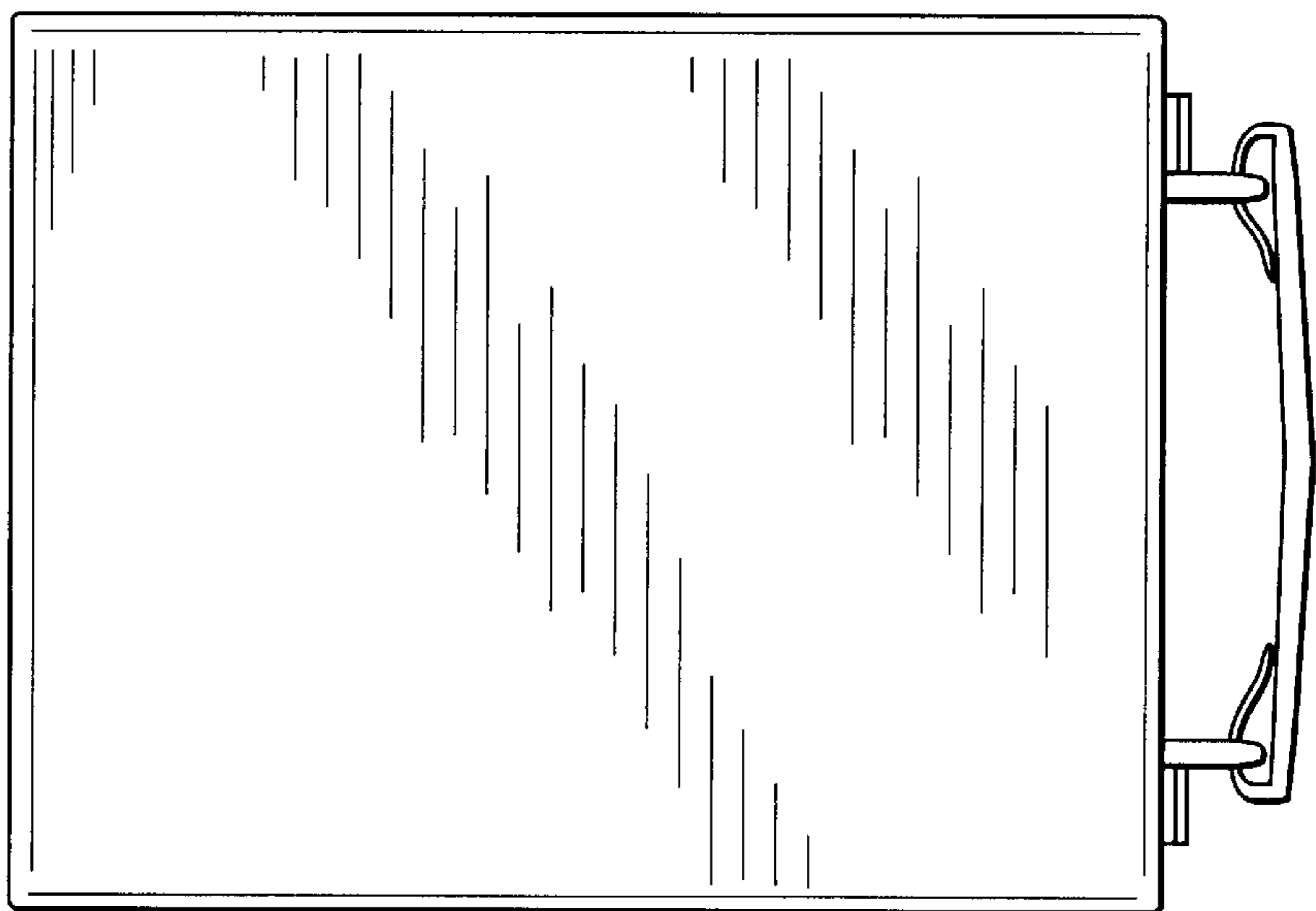


FIG. 4

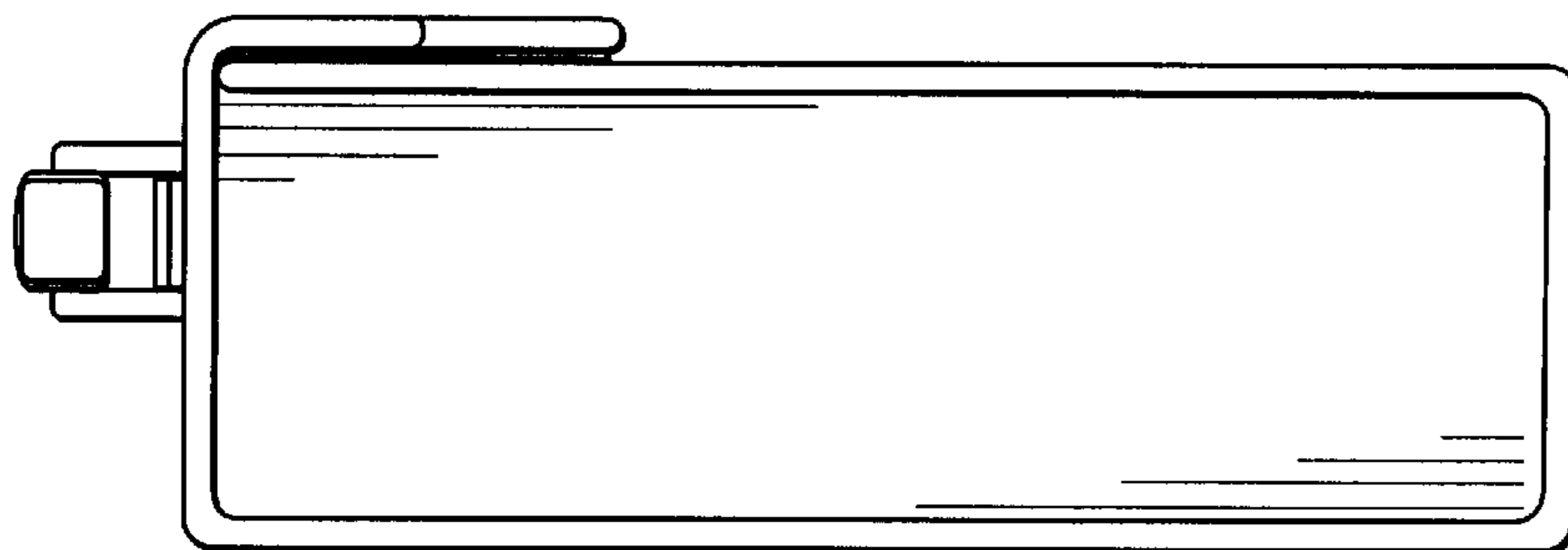


FIG. 5

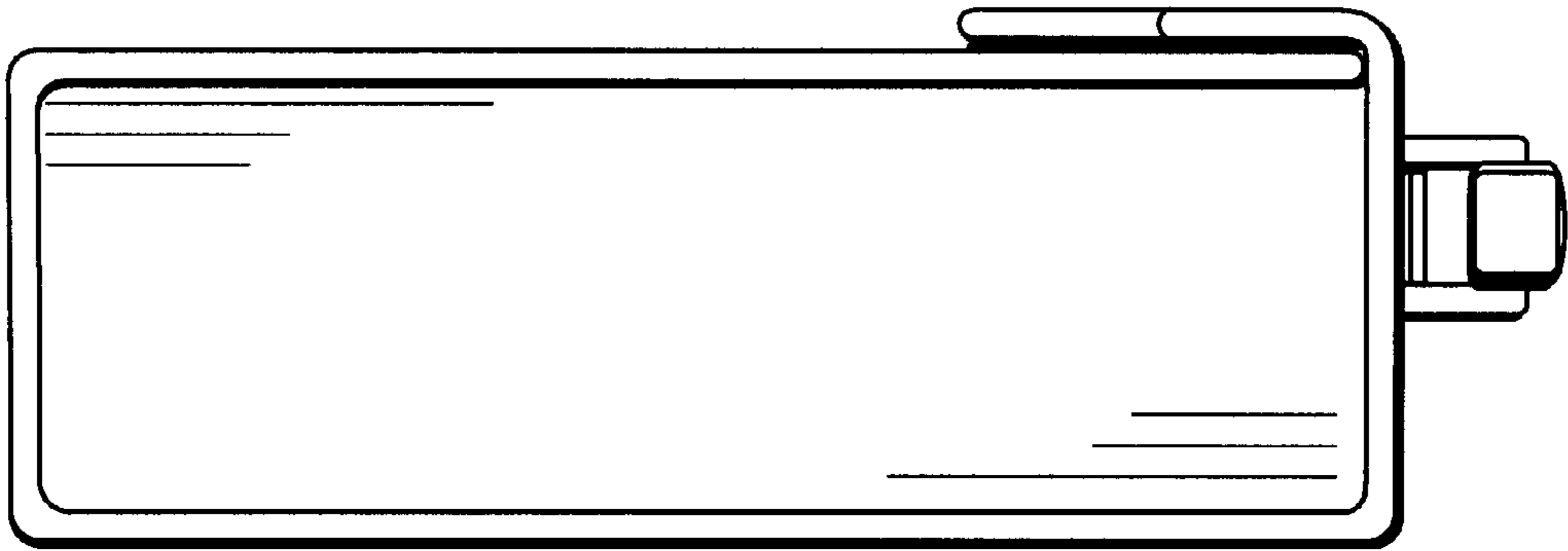


FIG. 6

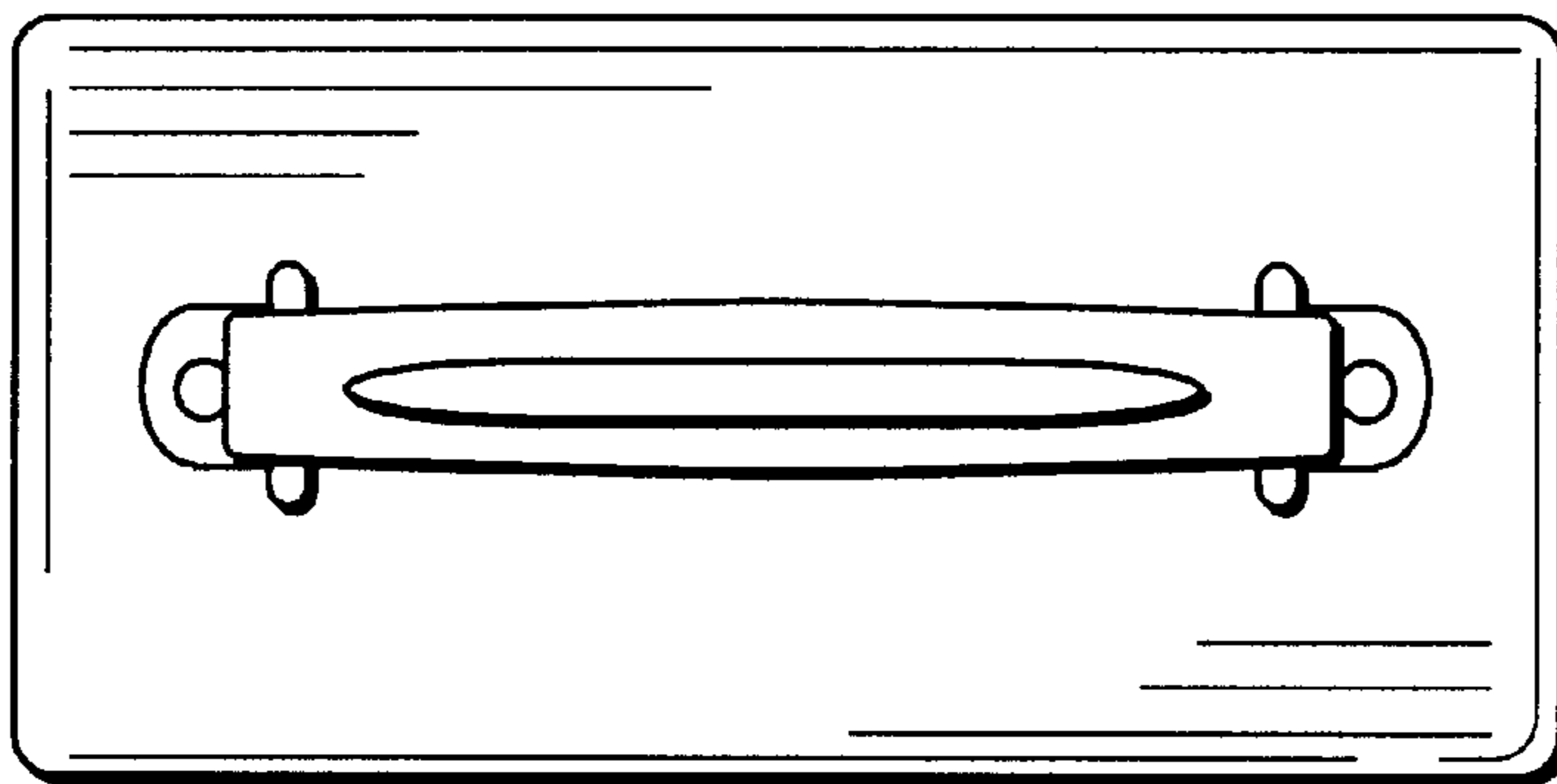


FIG. 7

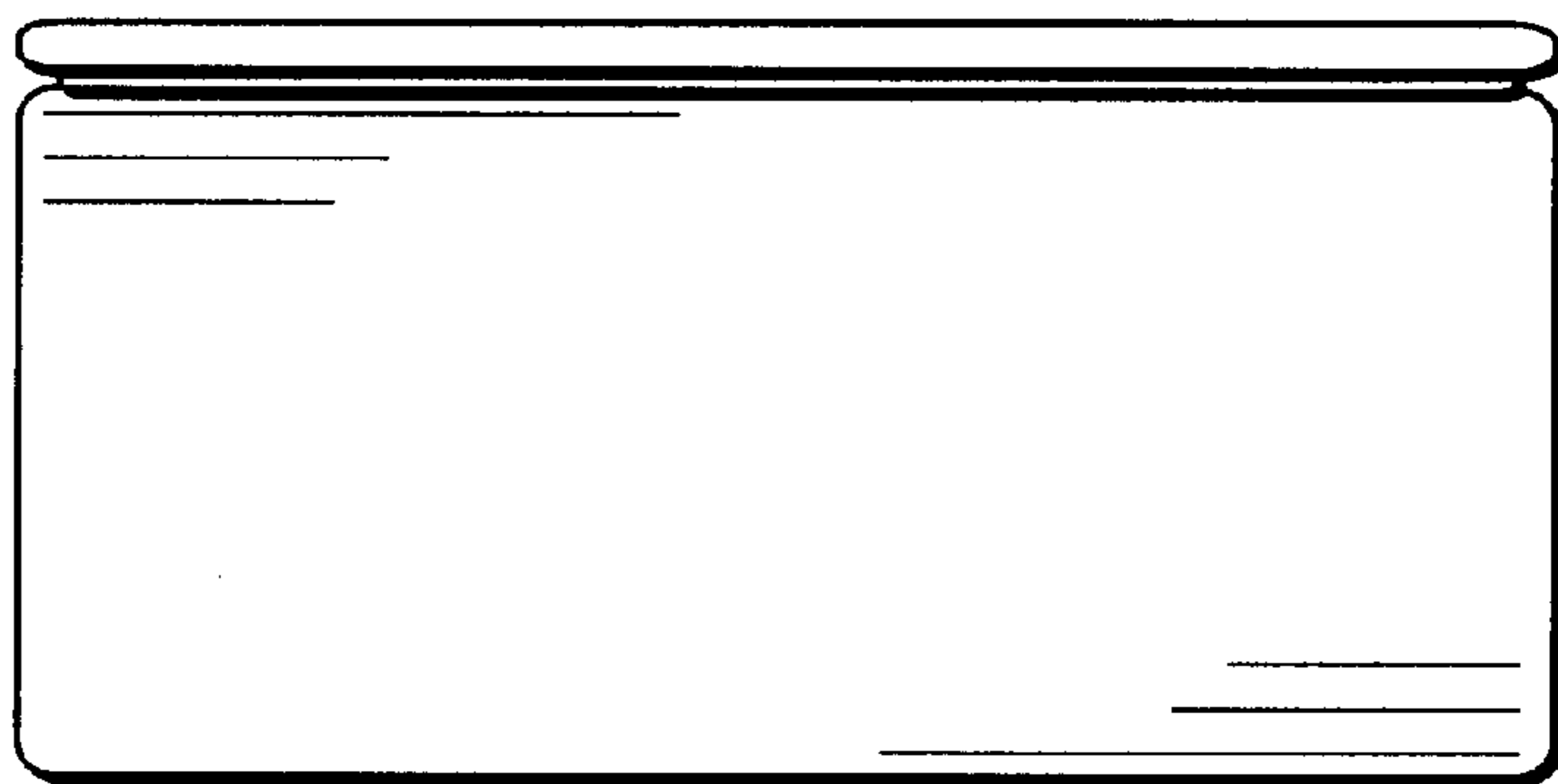


FIG. 8