



US00D457313S

(12) **United States Design Patent**  
**Clark et al.**

(10) **Patent No.:** **US D457,313 S**

(45) **Date of Patent:** **\*\* May 21, 2002**

(54) **TOY ACCESSORY CARRYING CASE**

D442,859 S \* 5/2001 Hirschey ..... D9/346

(75) Inventors: **Maxine Clark**, St. Louis, MO (US);  
**Beverly Schofield**, Alton; **Adrienne Weiss**, Chicago, both of IL (US)

\* cited by examiner

*Primary Examiner*—Philip S. Hyder  
(74) *Attorney, Agent, or Firm*—Blackwell Sanders Peper Martin LLP

(73) Assignee: **Build-A-Bear Workshop, Inc.**, St. Louis, MO (US)

(57) **CLAIM**

(\*\*) Term: **14 Years**

The ornamental design for a toy accessory carrying case, as shown and described.

(21) Appl. No.: **29/143,011**

**DESCRIPTION**

(22) Filed: **Jun. 6, 2001**

(51) **LOC (7) Cl.** ..... **03-01**

FIG. 1 is an upper perspective view of a toy accessory carrying case in accordance with our new design;

(52) **U.S. Cl.** ..... **D3/276; D9/433; D3/273**

FIG. 2 is a front elevational view thereof;

(58) **Field of Search** ..... **D3/273, 276, 303, D3/900; D9/415, 433; 229/117.14, 117.15**

FIG. 3 is a back elevational view thereof;

FIG. 4 is a left end elevational view of the view of FIG. 1;

FIG. 5 is a right end elevation view of the view of FIG. 1;

FIG. 6 is a top plan view thereof; and,

FIG. 7 is a bottom plan view thereof.

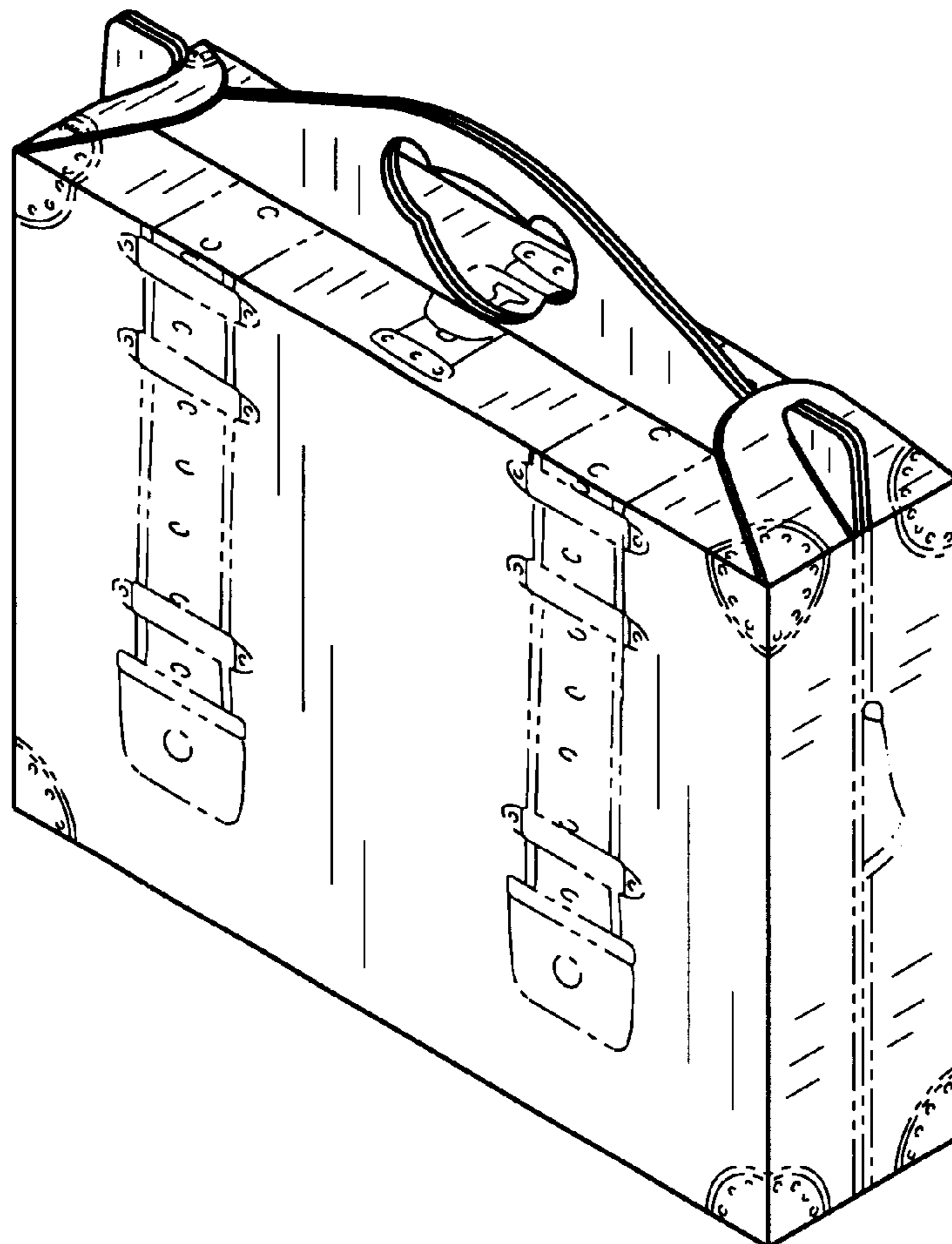
(56) **References Cited**

**U.S. PATENT DOCUMENTS**

- 4,010,888 A \* 3/1977 Gilbert ..... 119/454
- 4,109,849 A \* 8/1978 Wood ..... 229/117.14
- 4,318,505 A \* 3/1982 Cordell, Jr. .... 190/100
- D385,187 S \* 10/1997 Loft ..... D9/415
- 6,116,421 A \* 9/2000 Collins ..... 206/455

Throughout the figures, lines drawn in phantom are for illustrative purposes only and form no part of the claimed design.

**1 Claim, 2 Drawing Sheets**



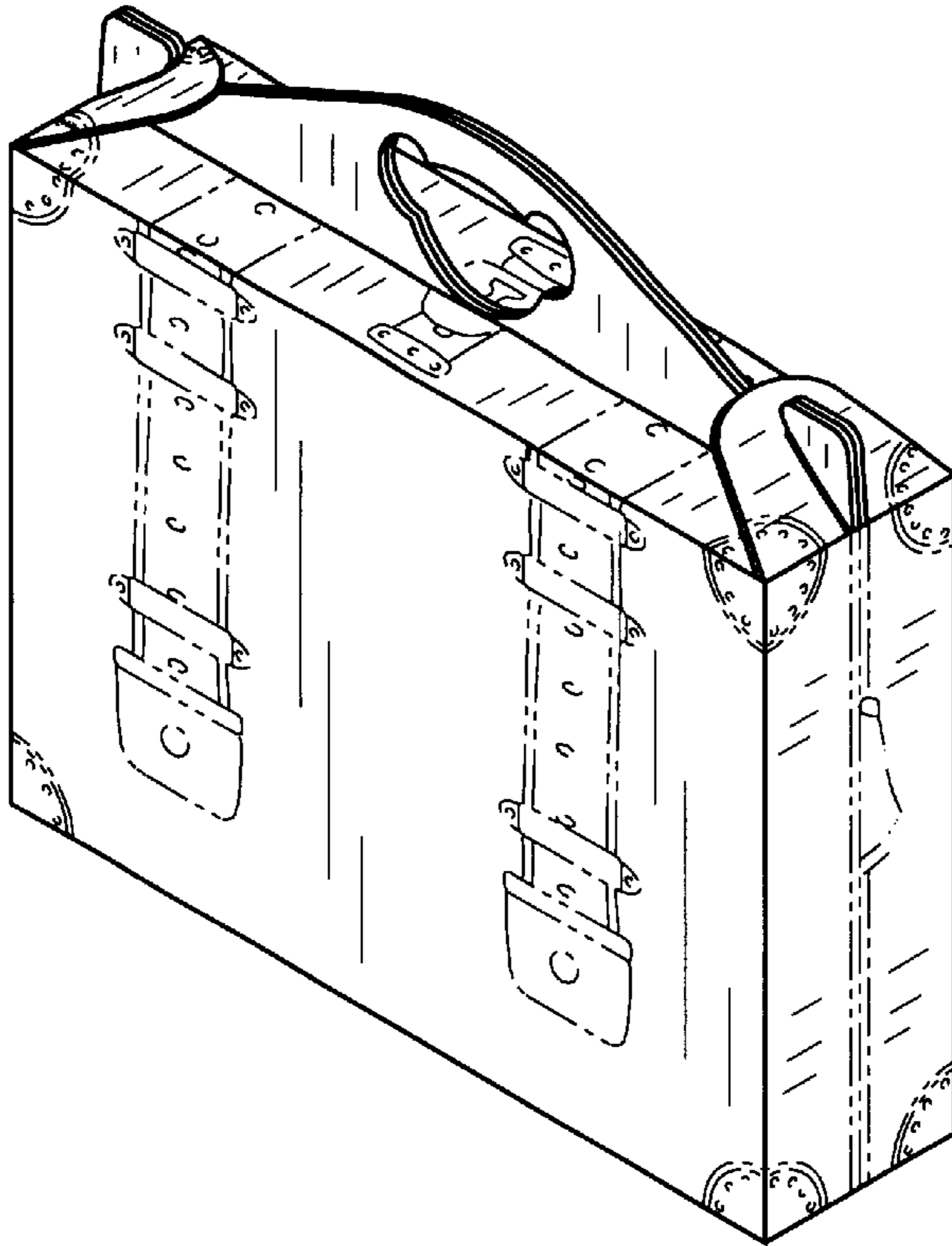


FIG. 1

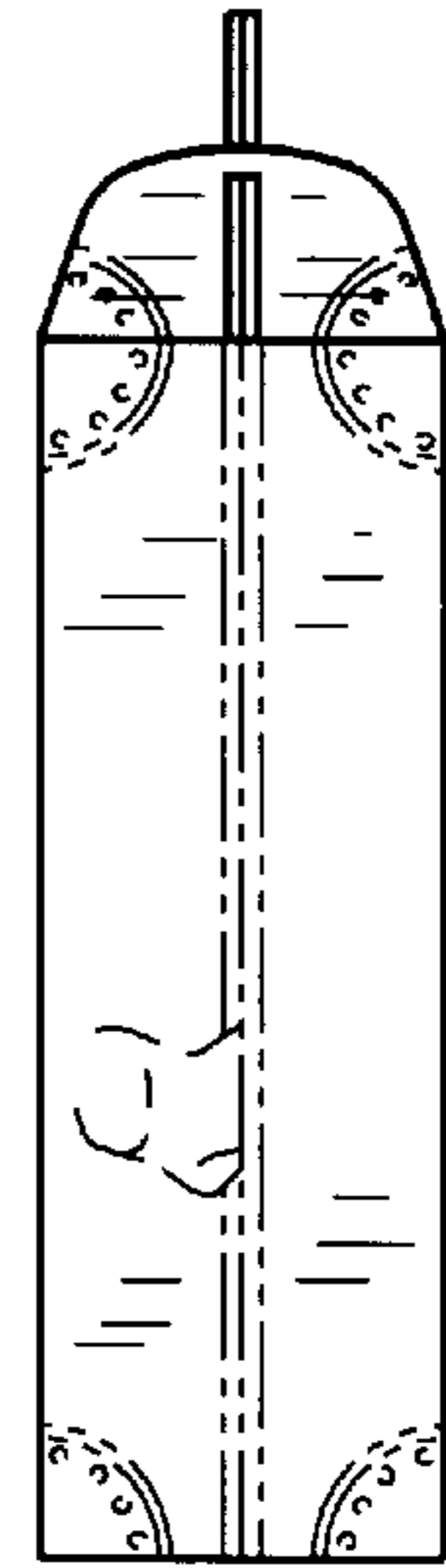


FIG. 4

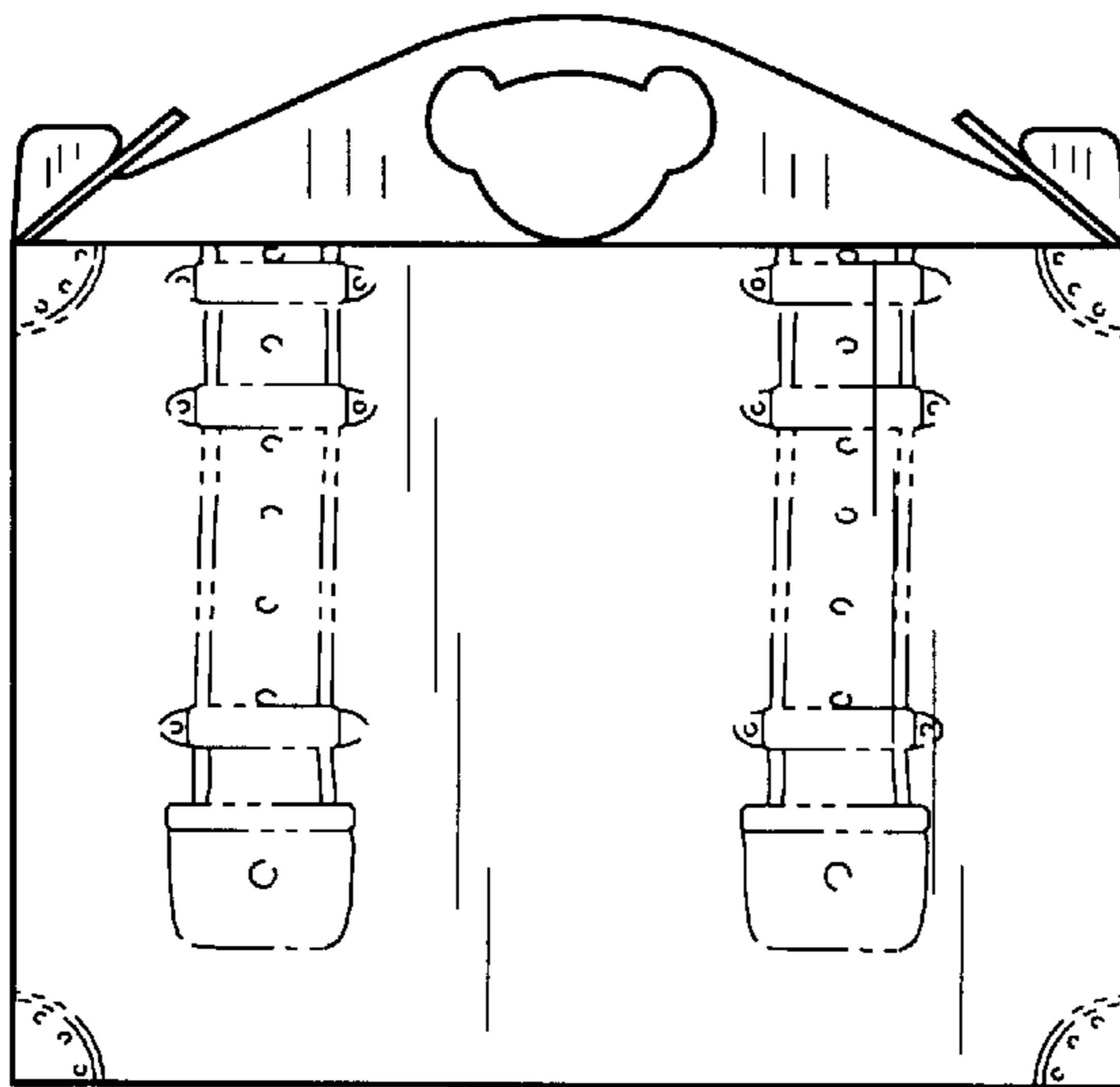


FIG. 2

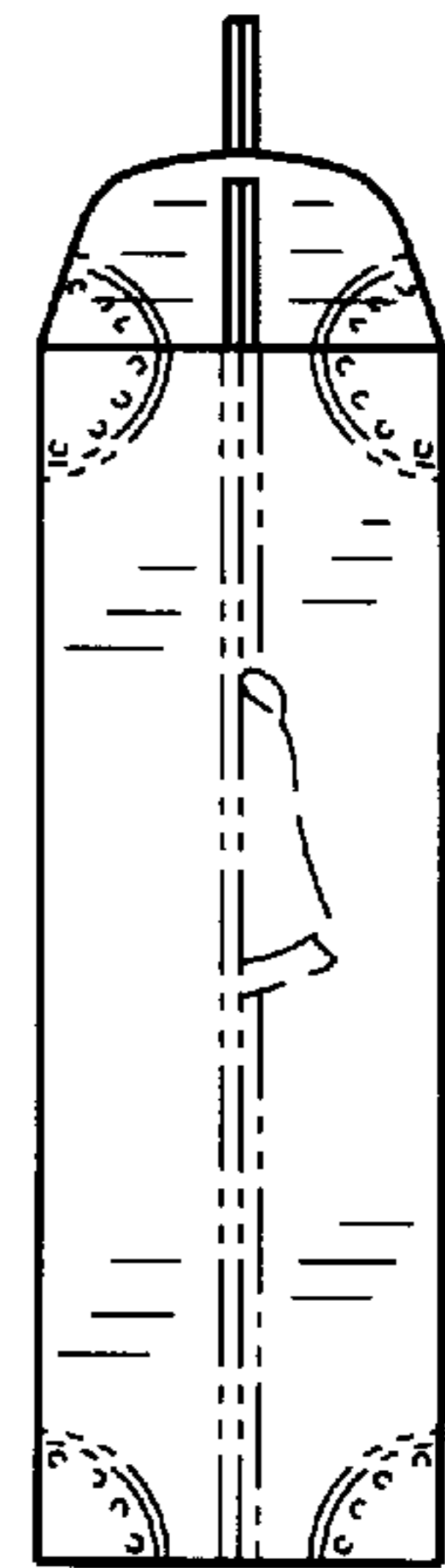


FIG. 5

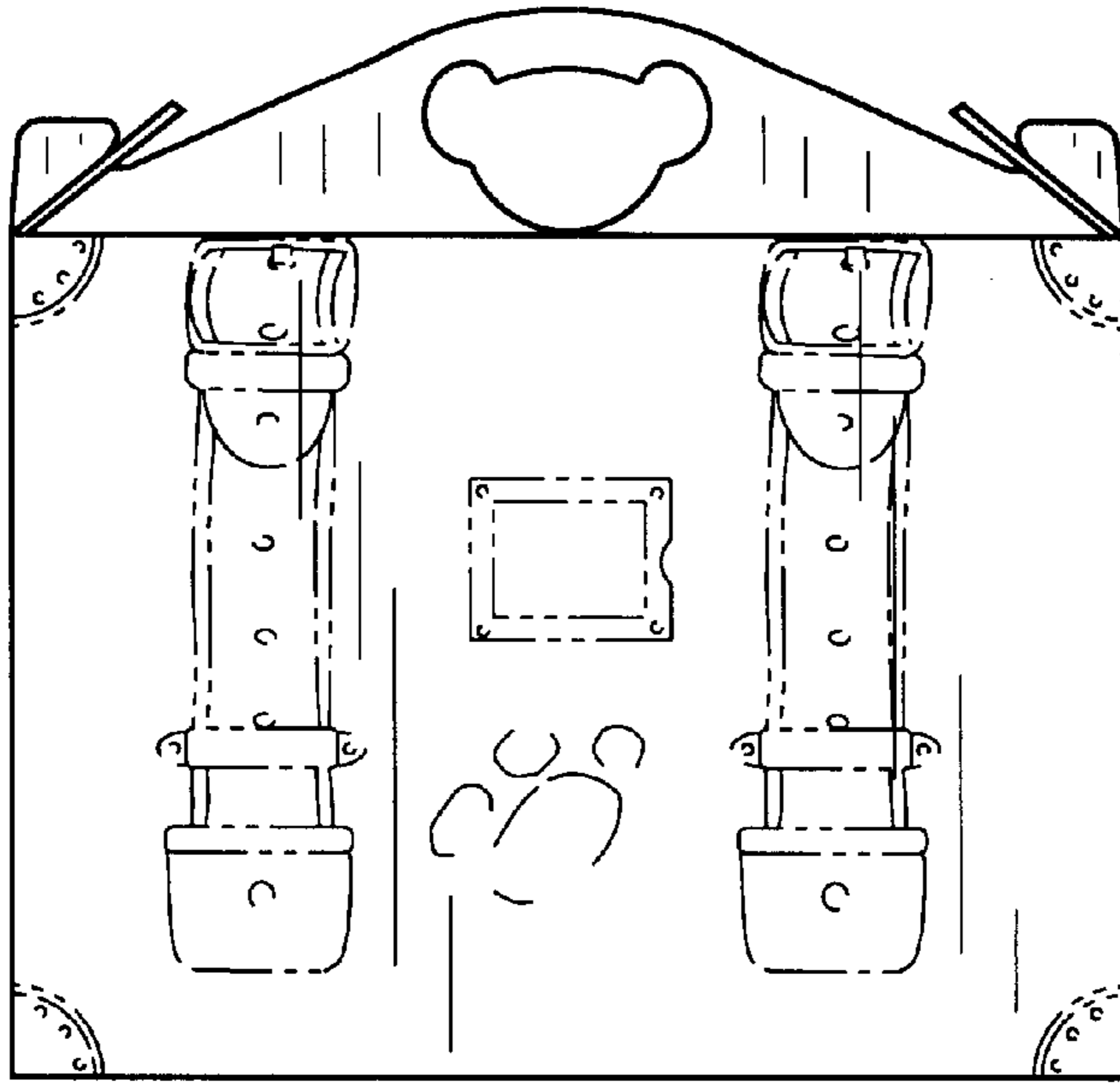


FIG. 3

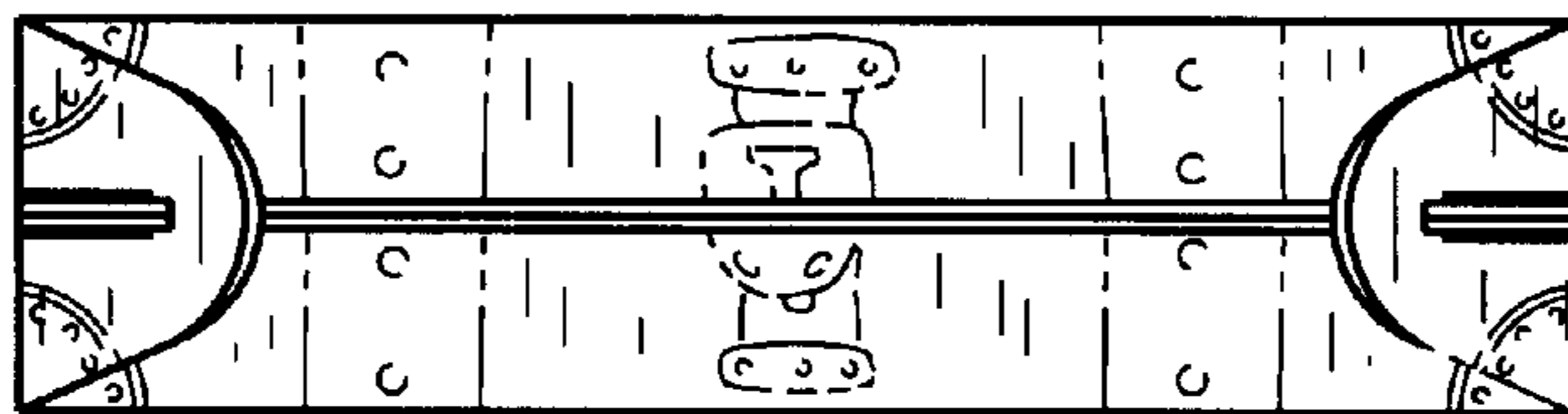


FIG. 6

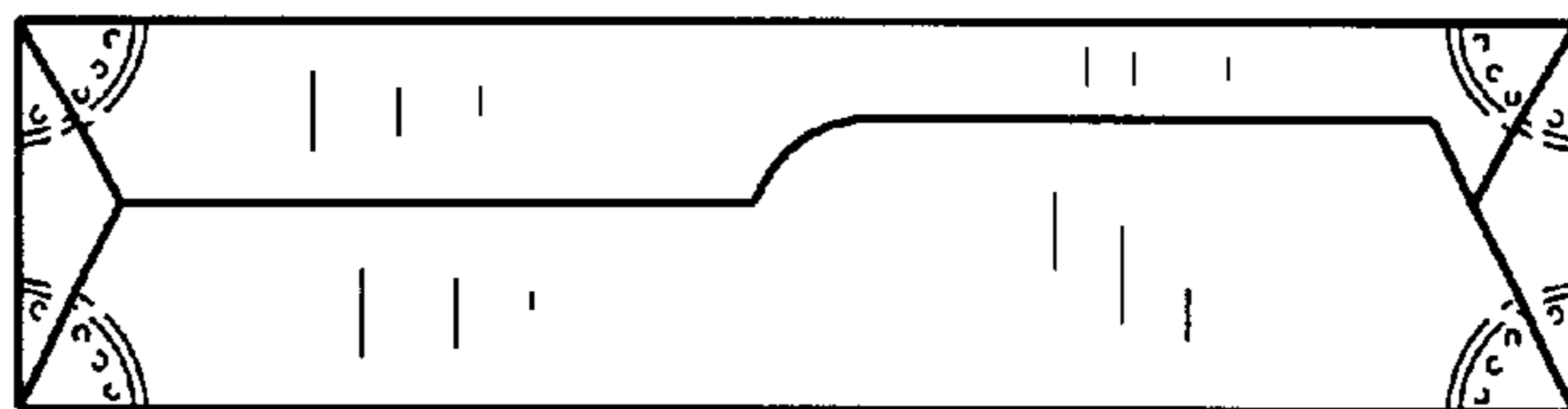


FIG. 7