



US00D457312S

(12) **United States Design Patent**
Chan

(10) **Patent No.:** **US D457,312 S**

(45) **Date of Patent:** **** May 21, 2002**

(54) **EYEGLOSS CLIP (III)**

D448,929 S * 10/2001 Burke D3/266

(76) Inventor: **Li-Li Chan**, 5th Fl., No. 15, Lane 155,
Kuang Fu N. Road, Tainan (TW)

* cited by examiner

(**) Term: **14 Years**

Primary Examiner—Catherine R. Oliver
(74) *Attorney, Agent, or Firm*—Rosenberg, Klein & Lee

(21) Appl. No.: **29/146,754**

(57) **CLAIM**

(22) Filed: **Aug. 16, 2001**

The ornamental design for eyeglass clip (III), as shown and described.

(51) **LOC (7) Cl.** **03-01**

DESCRIPTION

(52) **U.S. Cl.** **D3/266; D3/219**

(58) **Field of Search** D3/219, 215, 263,
D3/264, 265, 266; 206/5, 5.1, 6; 248/902,
309.1, 316.2, 316.4; 24/3.1, 3.3, 3.6; D8/395;
D12/417

FIG. 1 is a perspective view of eyeglass clip (III) showing my new design;

FIG. 2 is a front elevation view thereof;

FIG. 3 is a rear elevation view thereof;

FIG. 4 is a left side elevation view thereof;

FIG. 5 is a right side elevation view thereof;

FIG. 6 is a top plan view thereof;

FIG. 7 is a bottom plan view thereof; and,

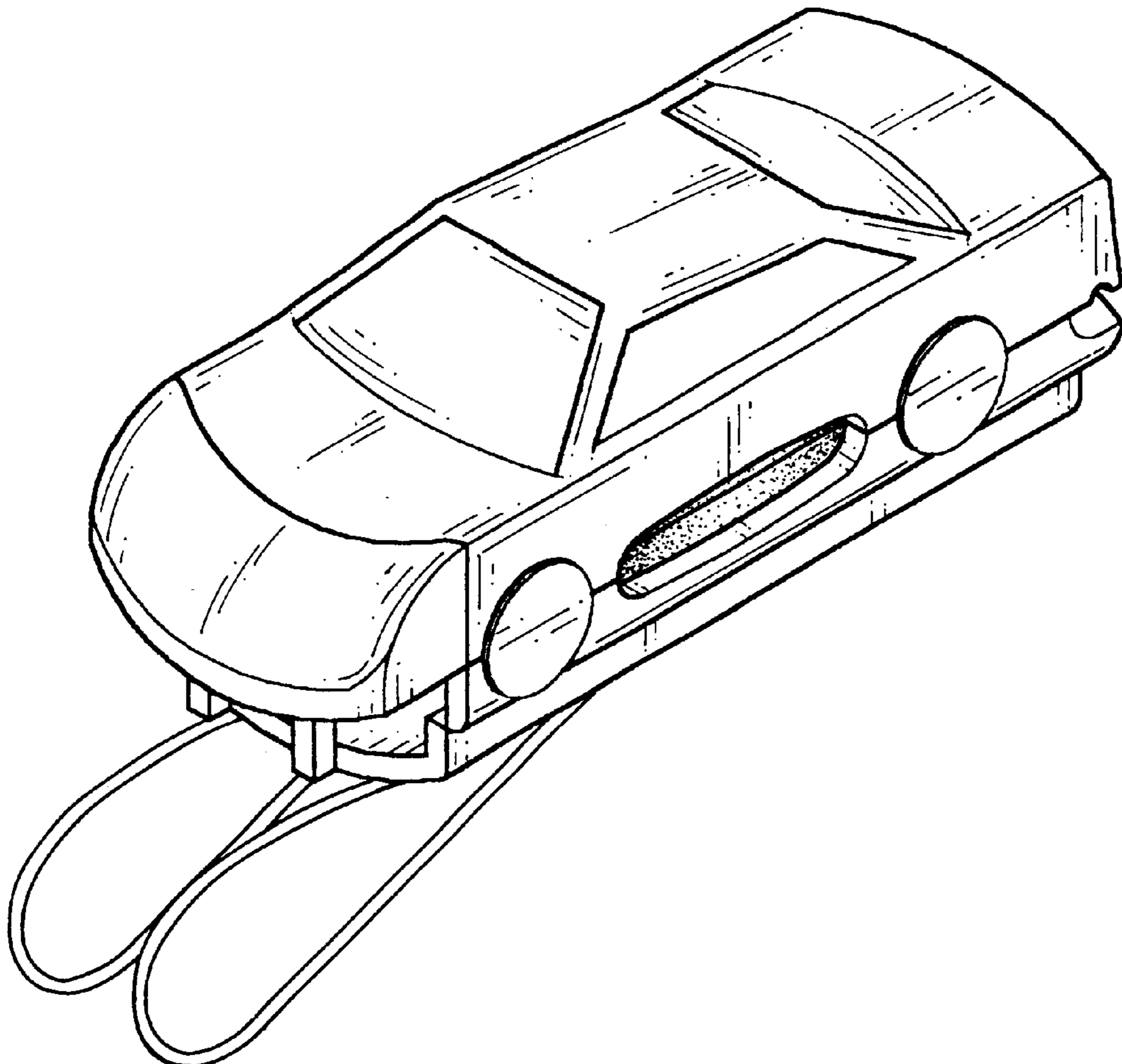
FIG. 8 is a perspective view thereof, the broken lines shown are for illustrative purposes only and form no part of the claimed design.

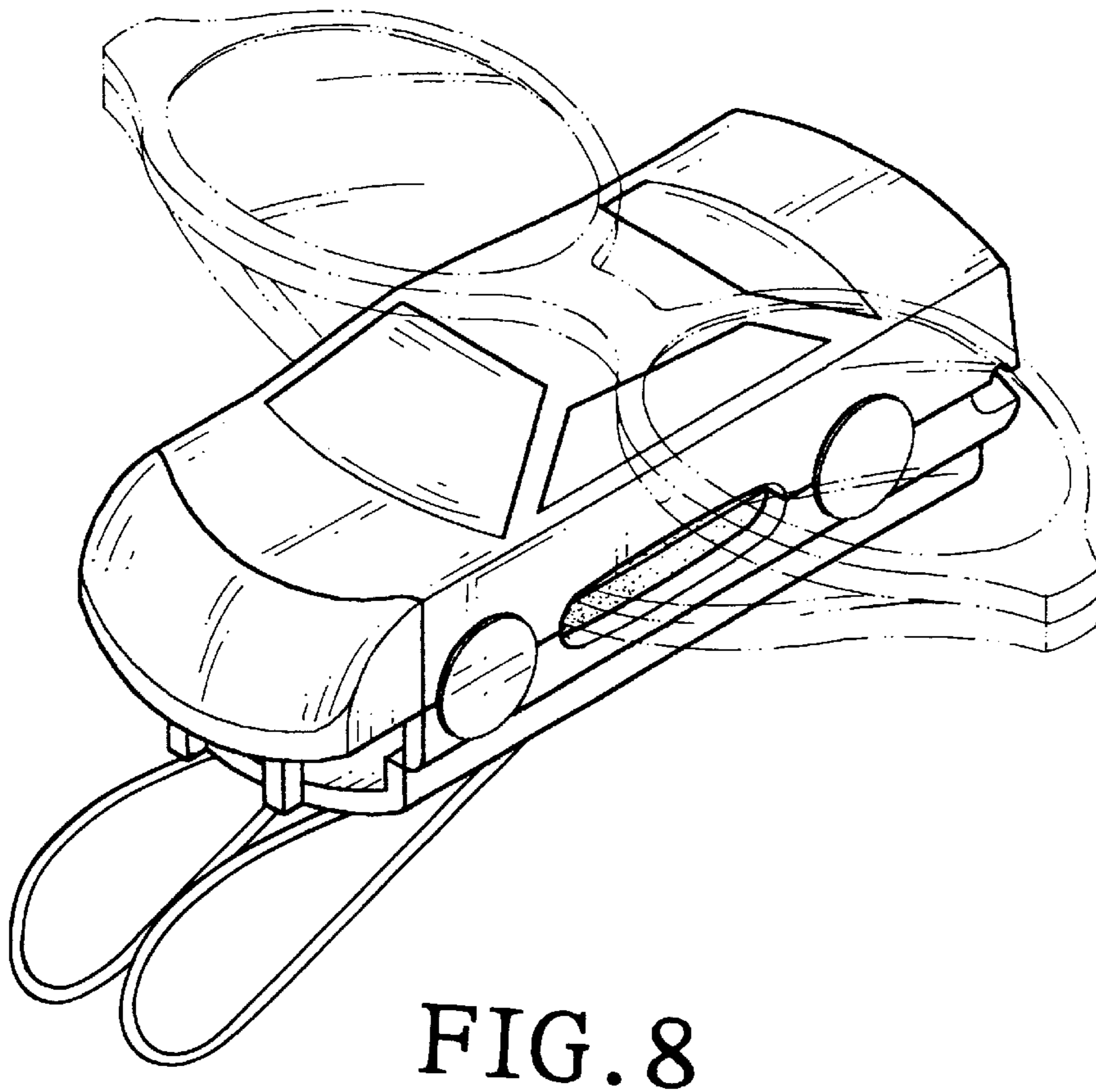
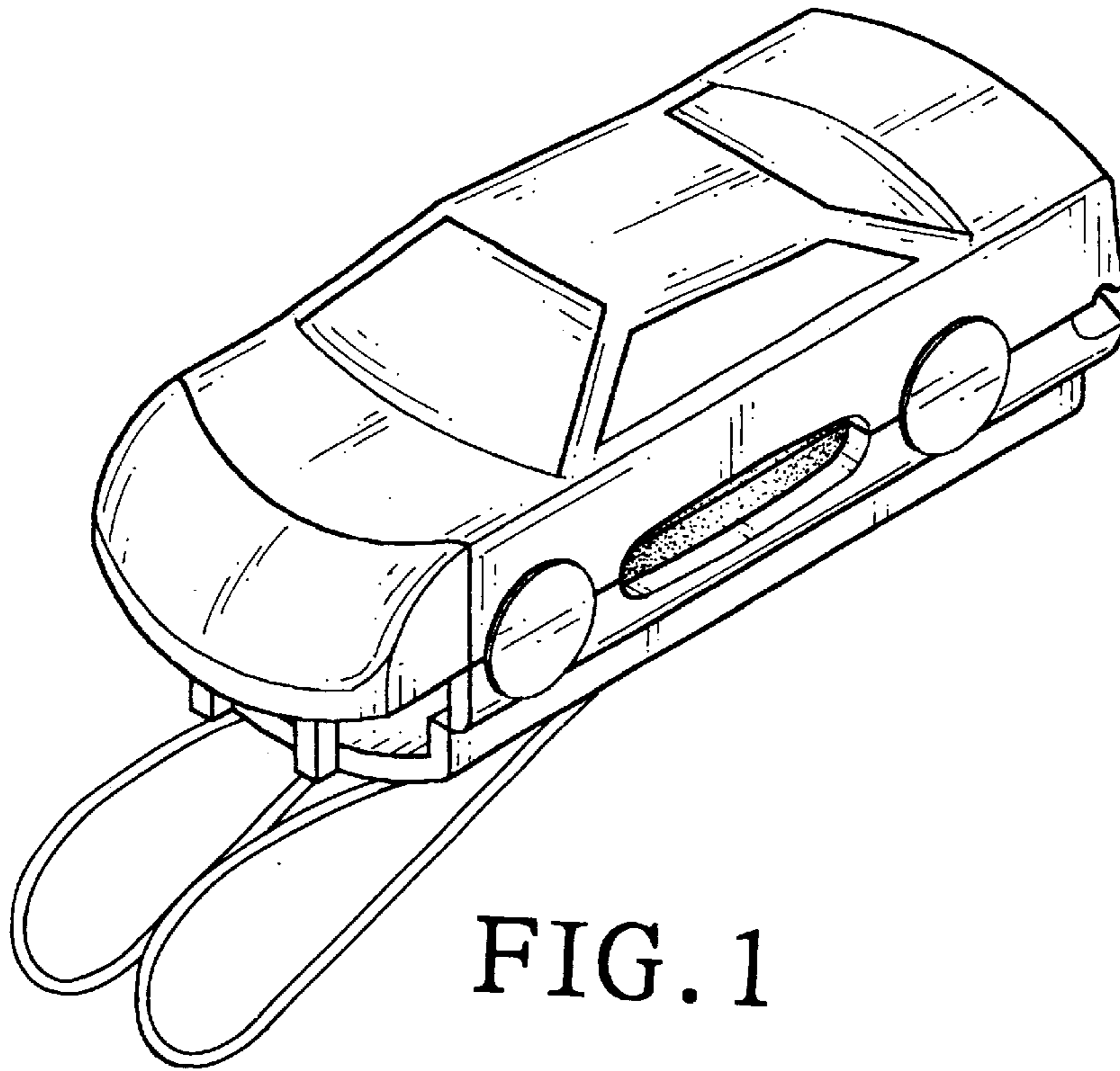
(56) **References Cited**

U.S. PATENT DOCUMENTS

5,860,191	A	*	1/1999	Sieger	24/3.3
D413,433	S	*	9/1999	Robertson	D3/211
5,975,476	A	*	11/1999	Mancinelli	248/316.7
D437,113	S	*	2/2001	Koehler	D3/219
D448,563	S	*	10/2001	Kim	D3/266

1 Claim, 3 Drawing Sheets





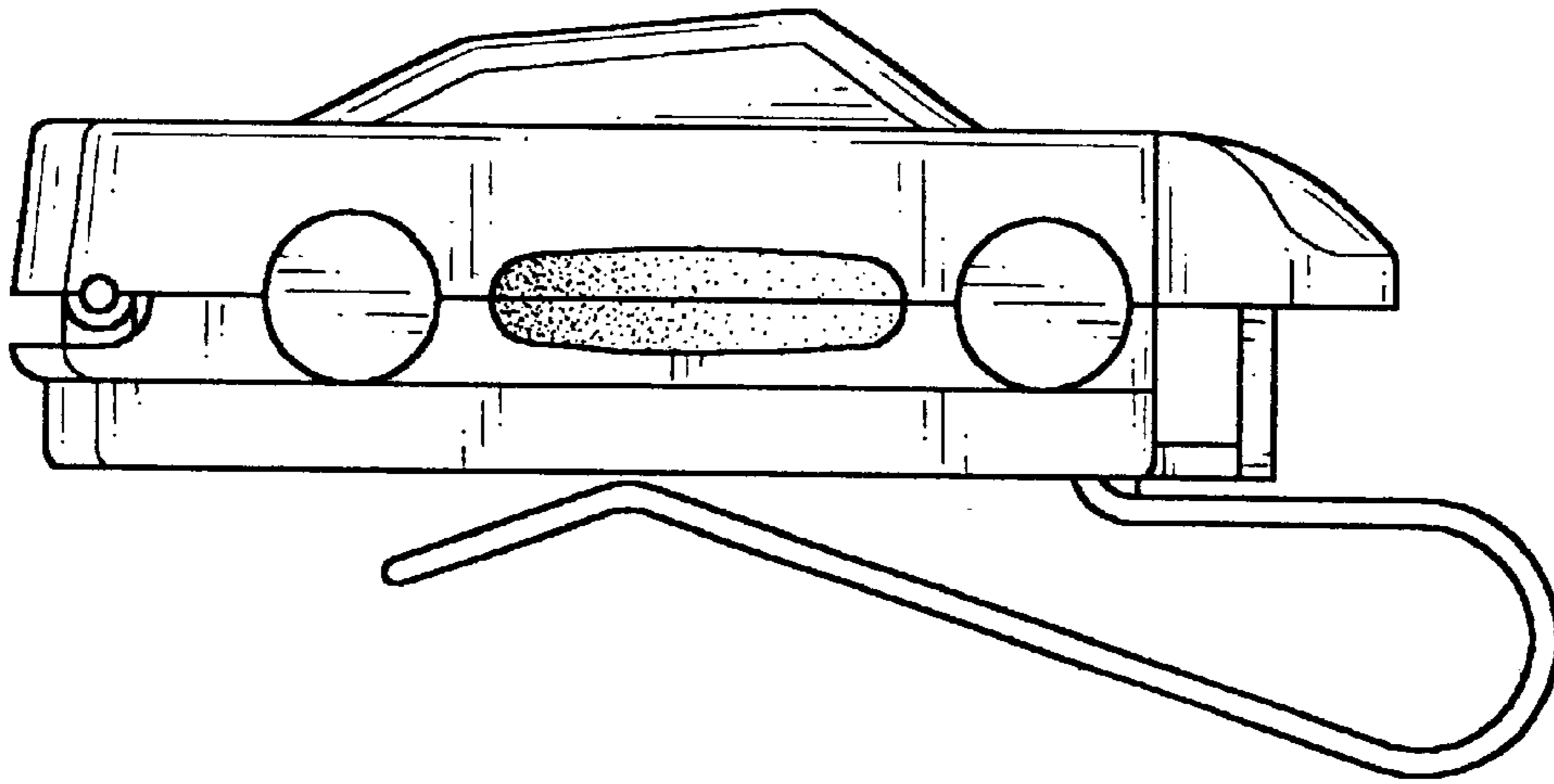


FIG. 3

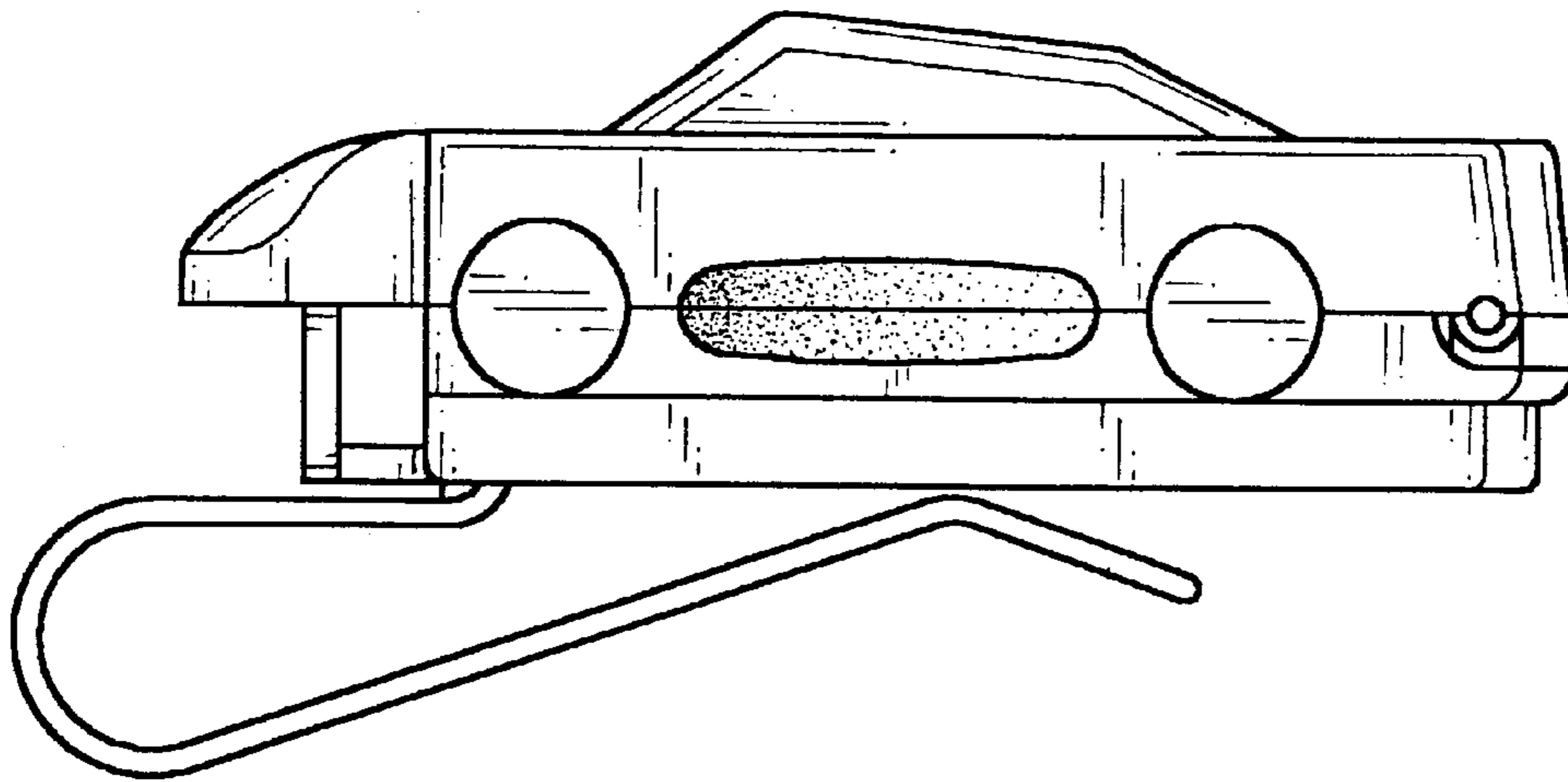


FIG. 2

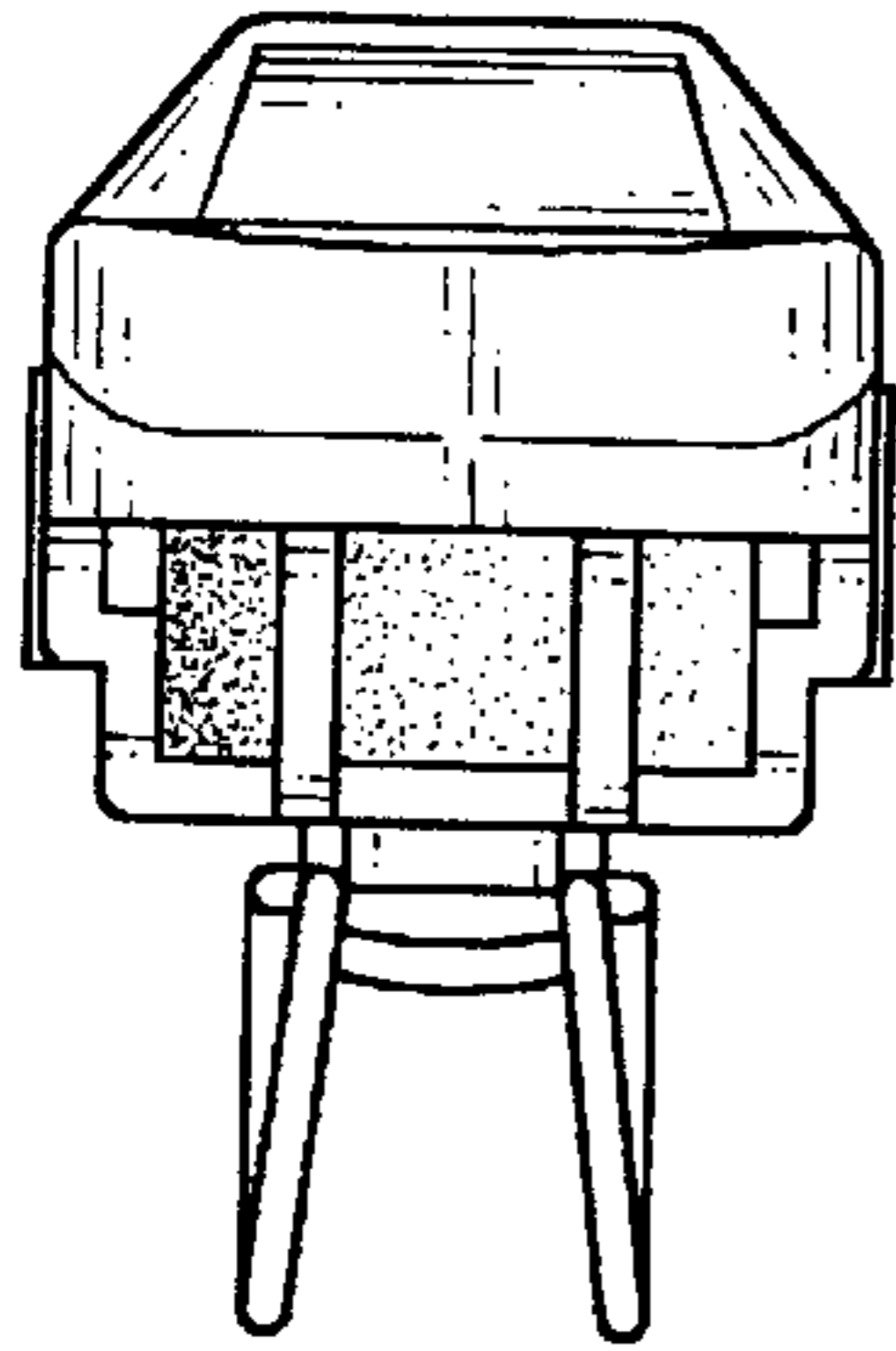


FIG. 4

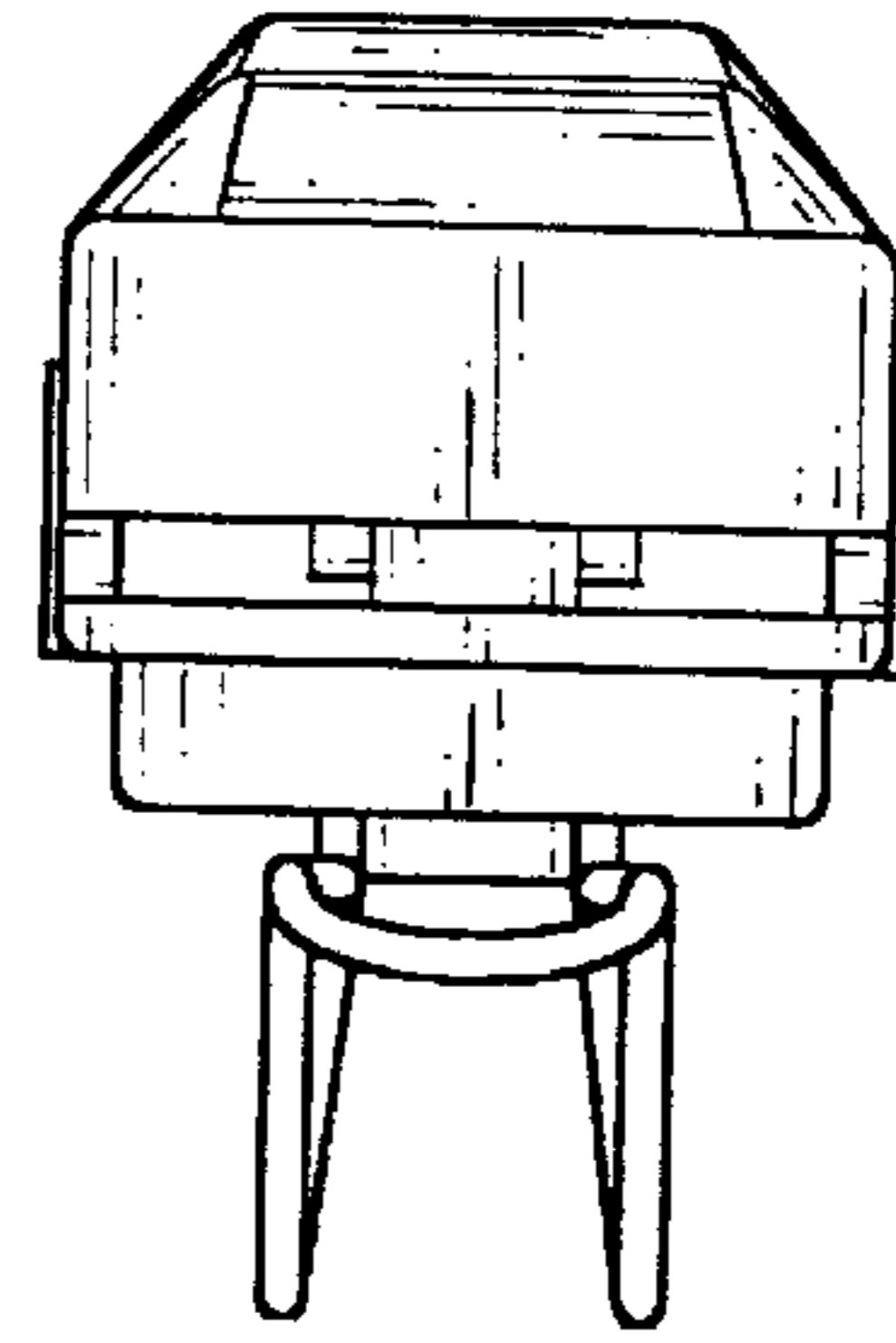


FIG. 5

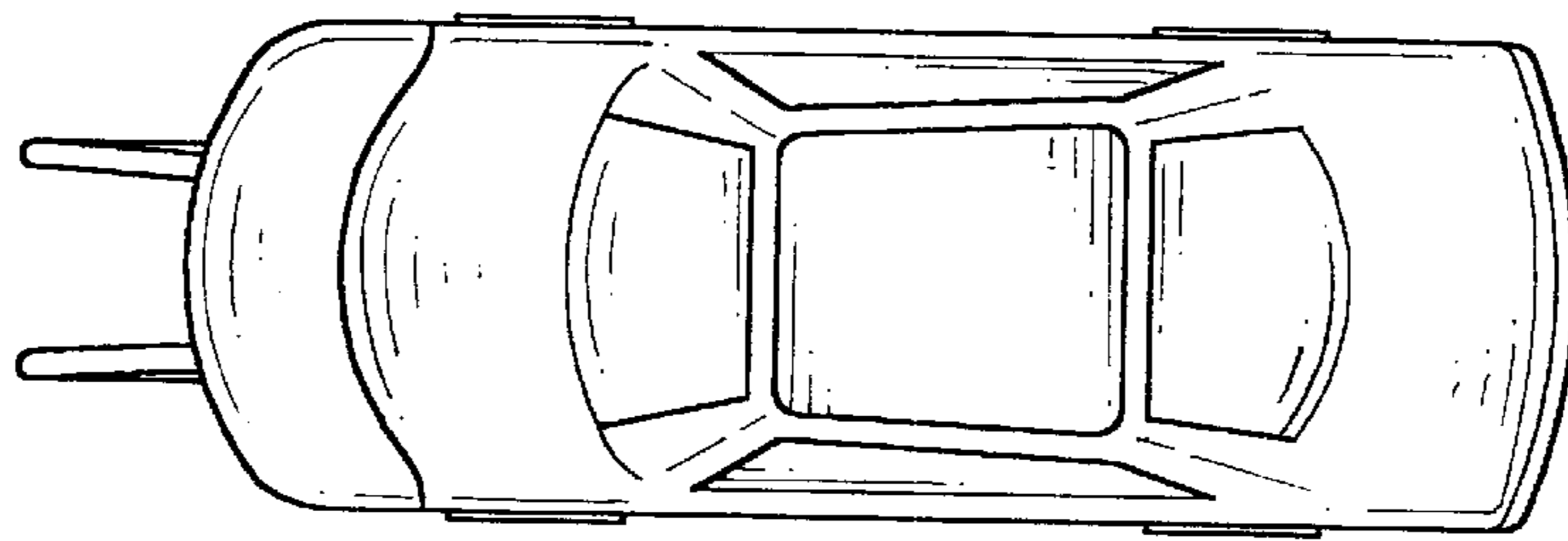


FIG. 6

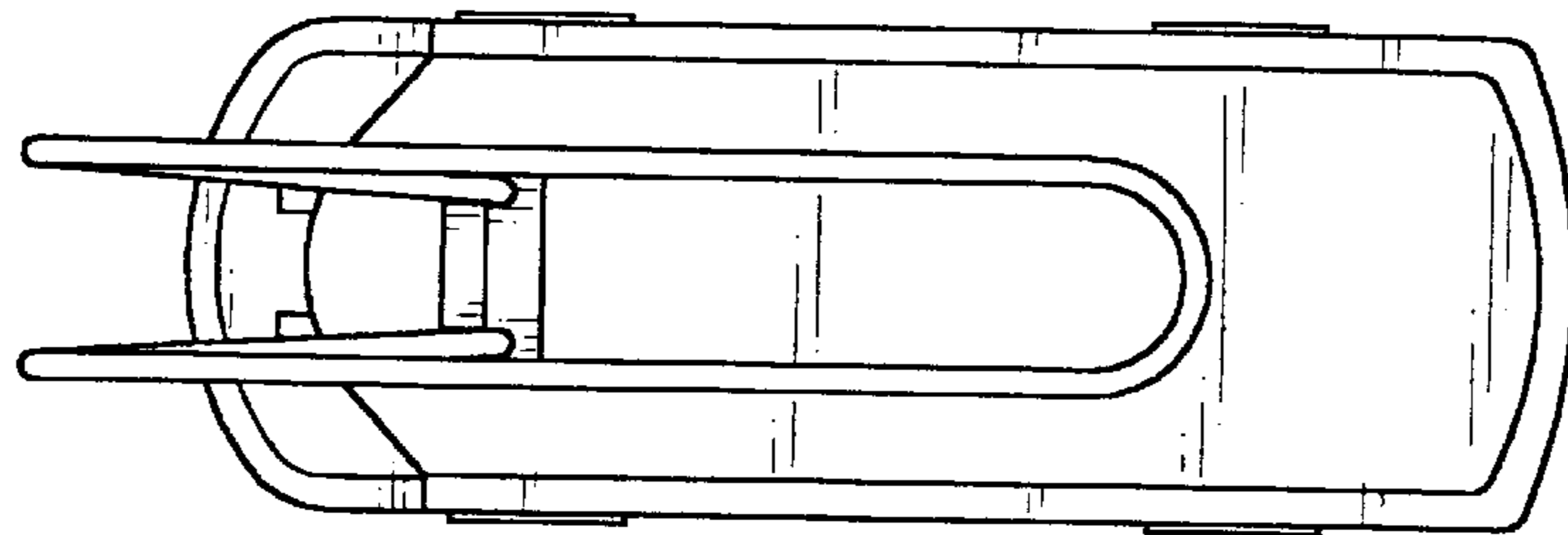


FIG. 7