



US00D457310S

(12) **United States Design Patent**
Aberman

(10) **Patent No.:** **US D457,310 S**

(45) **Date of Patent:** **** May 21, 2002**

(54) **KNIFE SHEATH**

D352,823 S * 11/1994 Chapman et al. D3/220
D378,243 S * 3/1997 Seber D3/220

(75) Inventor: **Howard S. Aberman**, Miami, FL (US)

* cited by examiner

(73) Assignee: **Innovative Marine Products, LLC**,
Miami, FL (US)

Primary Examiner—Catherine R. Oliver
(74) *Attorney, Agent, or Firm*—Christopher, Weisberg &
Crush, P.A.

(**) Term: **14 Years**

(21) Appl. No.: **29/144,571**

(57) **CLAIM**

(22) Filed: **Jul. 6, 2001**

The ornamental design for a knife sheath, as shown.

(51) **LOC (7) Cl.** **03-01**

(52) **U.S. Cl.** **D3/220**

(58) **Field of Search** D3/220; D22/118;
224/191, 232, 193; 30/151, 162

DESCRIPTION

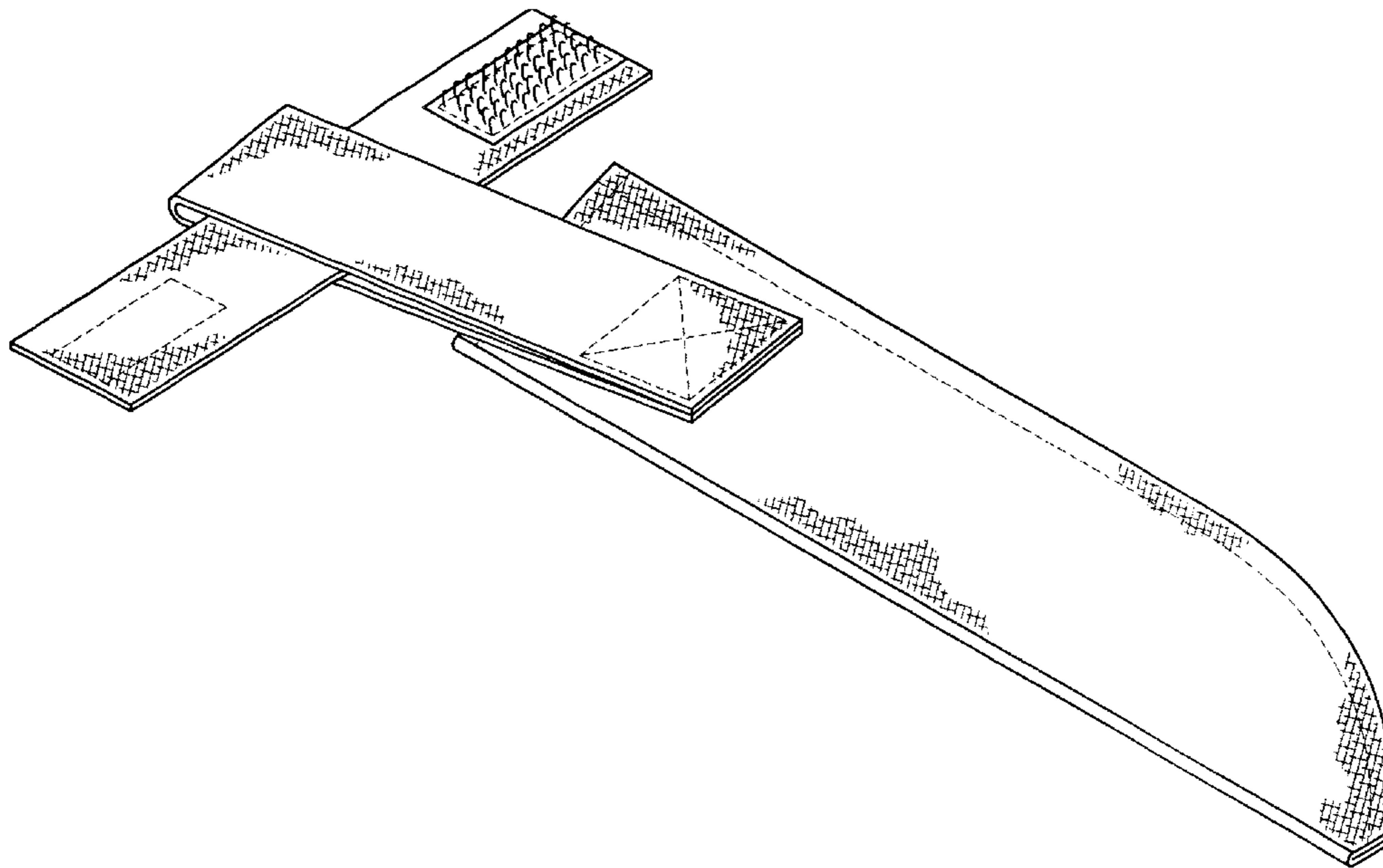
FIG. 1 is a perspective view of a knife sheath showing my new design;
FIG. 2 is a top plan view thereof;
FIG. 3 is a bottom plan view thereof;
FIG. 4 is a front view thereof;
FIG. 5 is a rear view thereof;
FIG. 6 is a side view thereof; and,
FIG. 7 is an opposite side view.

(56) **References Cited**

U.S. PATENT DOCUMENTS

D289,913 S * 5/1987 Ader D22/118
D291,626 S * 9/1987 Collins D3/220
4,942,663 A * 7/1990 Ray, Sr. 30/151

1 Claim, 2 Drawing Sheets



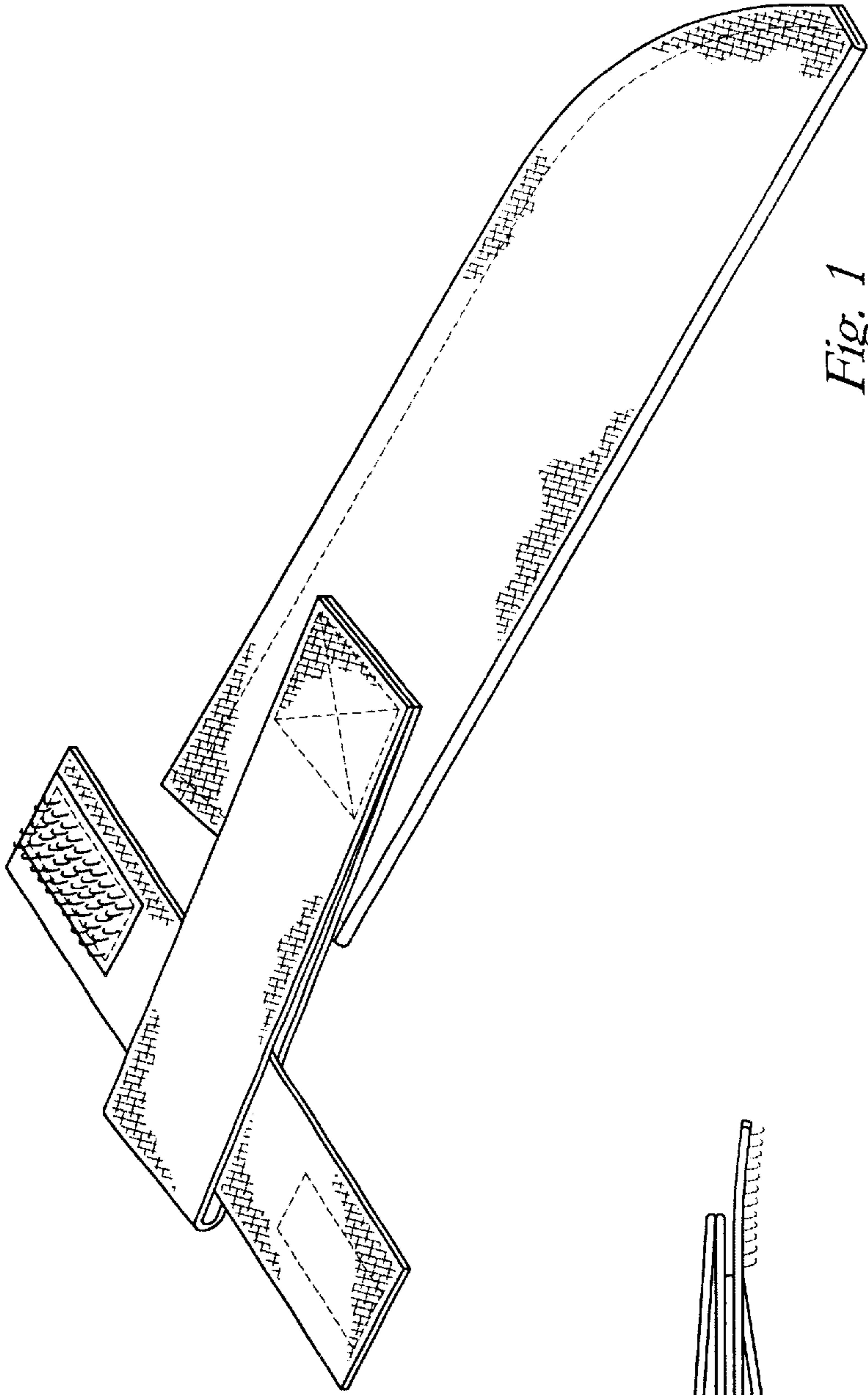


Fig. 1

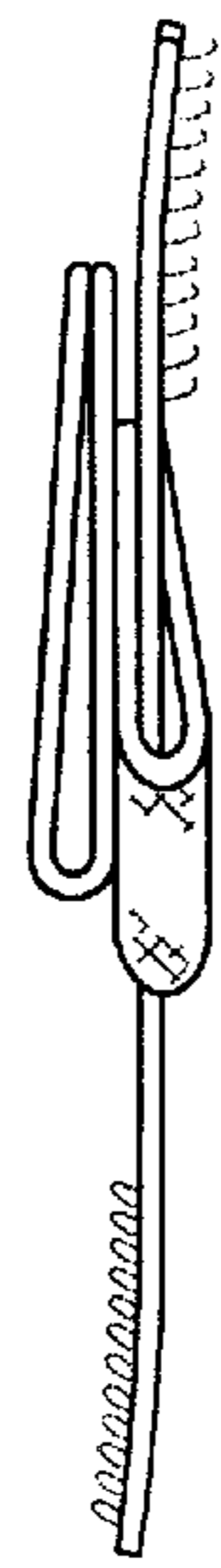


Fig. 2

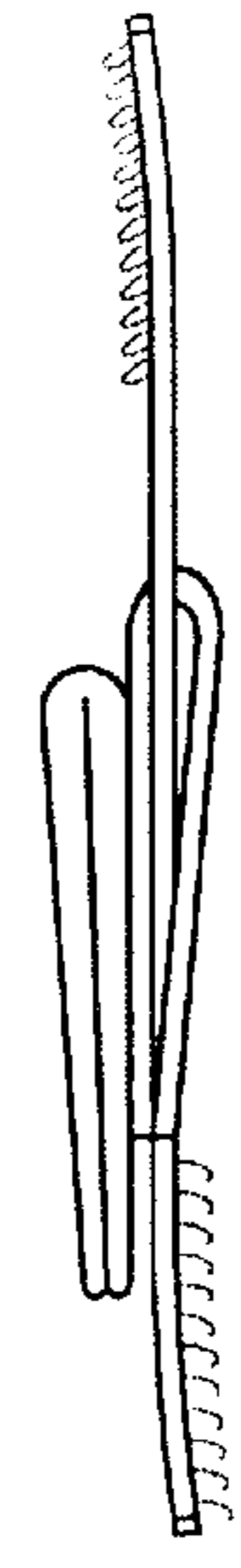


Fig. 3

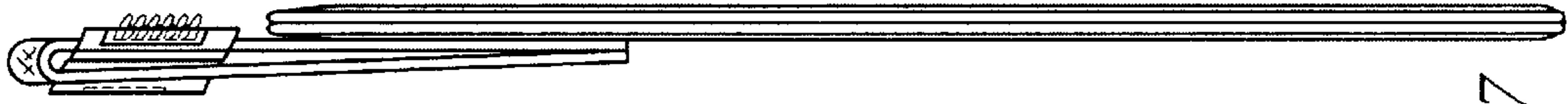


Fig. 7



Fig. 6

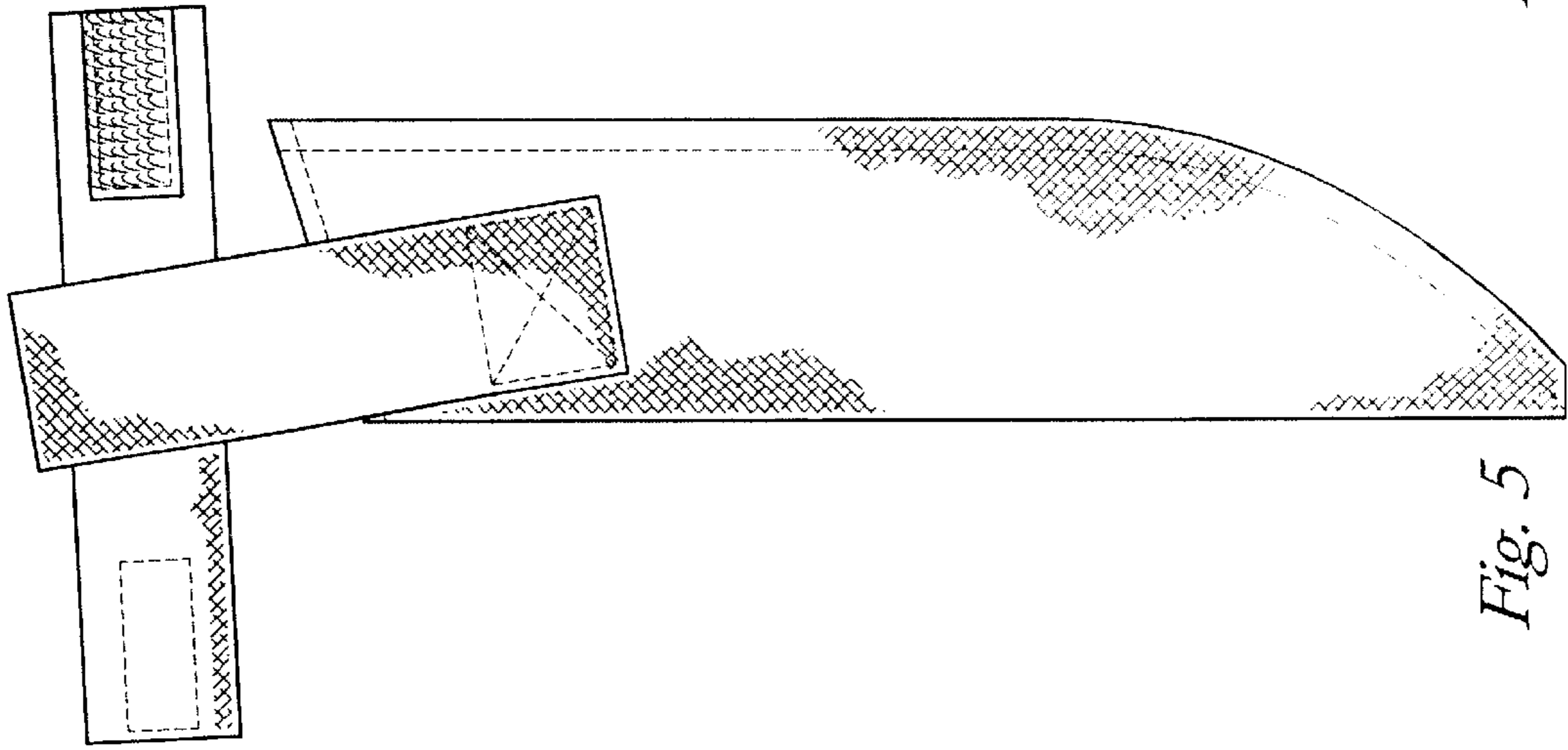


Fig. 5

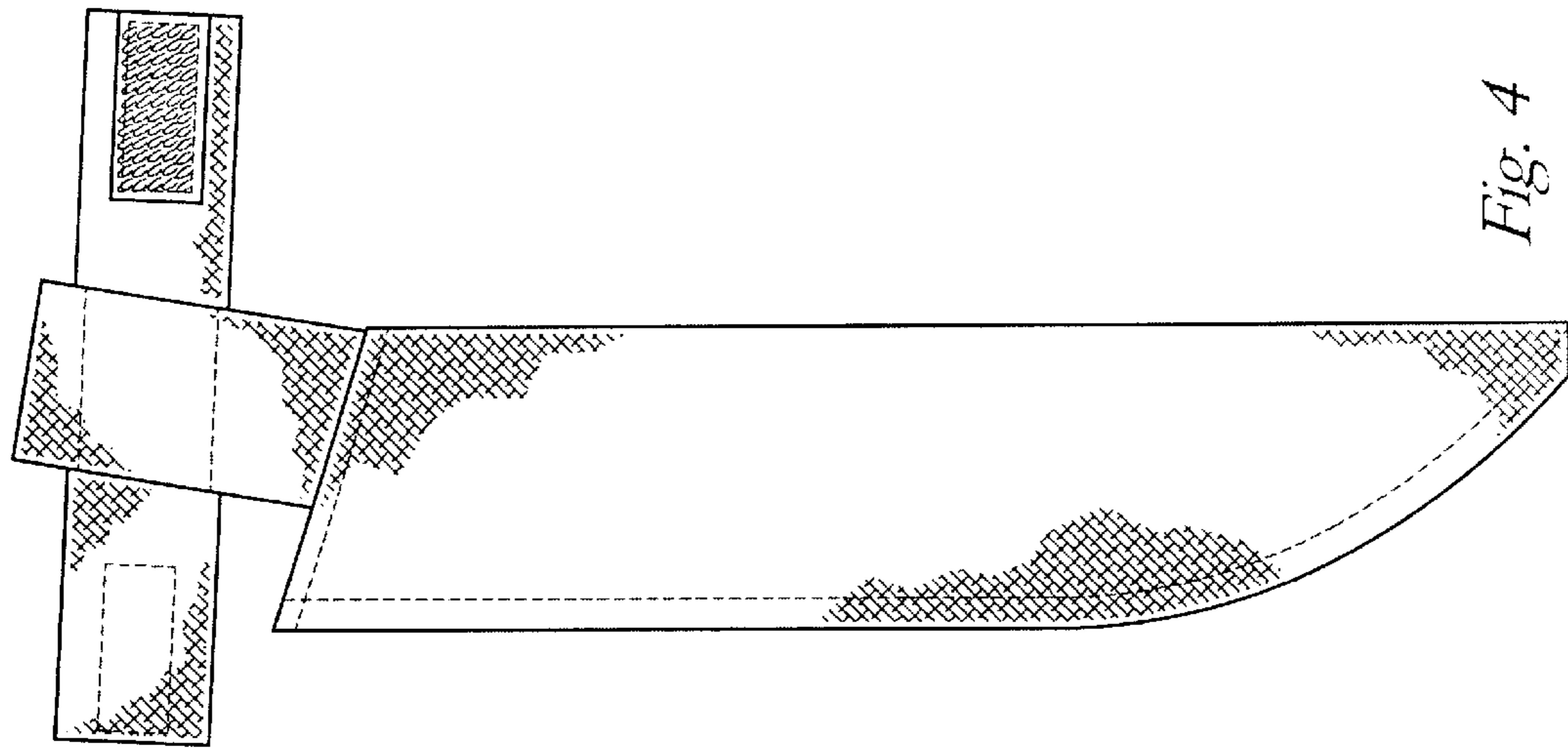


Fig. 4