



US00D457305S

(12) **United States Design Patent**  
**Ammerman et al.**

(10) **Patent No.:** **US D457,305 S**

(45) **Date of Patent:** **\*\* May 21, 2002**

(54) **BACKPACK REAR PORTION**

D423,782 S 5/2000 Ammerman et al. .... D3/327  
6,073,822 A \* 6/2000 Swensen de Vidals ..... 224/629

(75) Inventors: **Jill Greene Ammerman**, Beverly Farms; **Brian Lapointe**, Rockport, both of MA (US)

\* cited by examiner

(73) Assignee: **Airpacks, Inc.**, Beverly, MA (US)

*Primary Examiner*—Celia Murphy  
(74) *Attorney, Agent, or Firm*—Wolf, Greenfield & Sacks, P.C.

(\*\*) Term: **14 Years**

(57) **CLAIM**

(21) Appl. No.: **29/123,115**

The ornamental design for a backpack rear portion, as shown and described.

(22) Filed: **May 11, 2000**

(51) **LOC (7) Cl.** ..... **03-01**

(52) **U.S. Cl.** ..... **D3/216**

(58) **Field of Search** ..... D3/216, 217, 712;  
224/629, 253, 647, 636, 642, 153, 156,  
578, 579, 580, 584; 280/37

**DESCRIPTION**

(56) **References Cited**

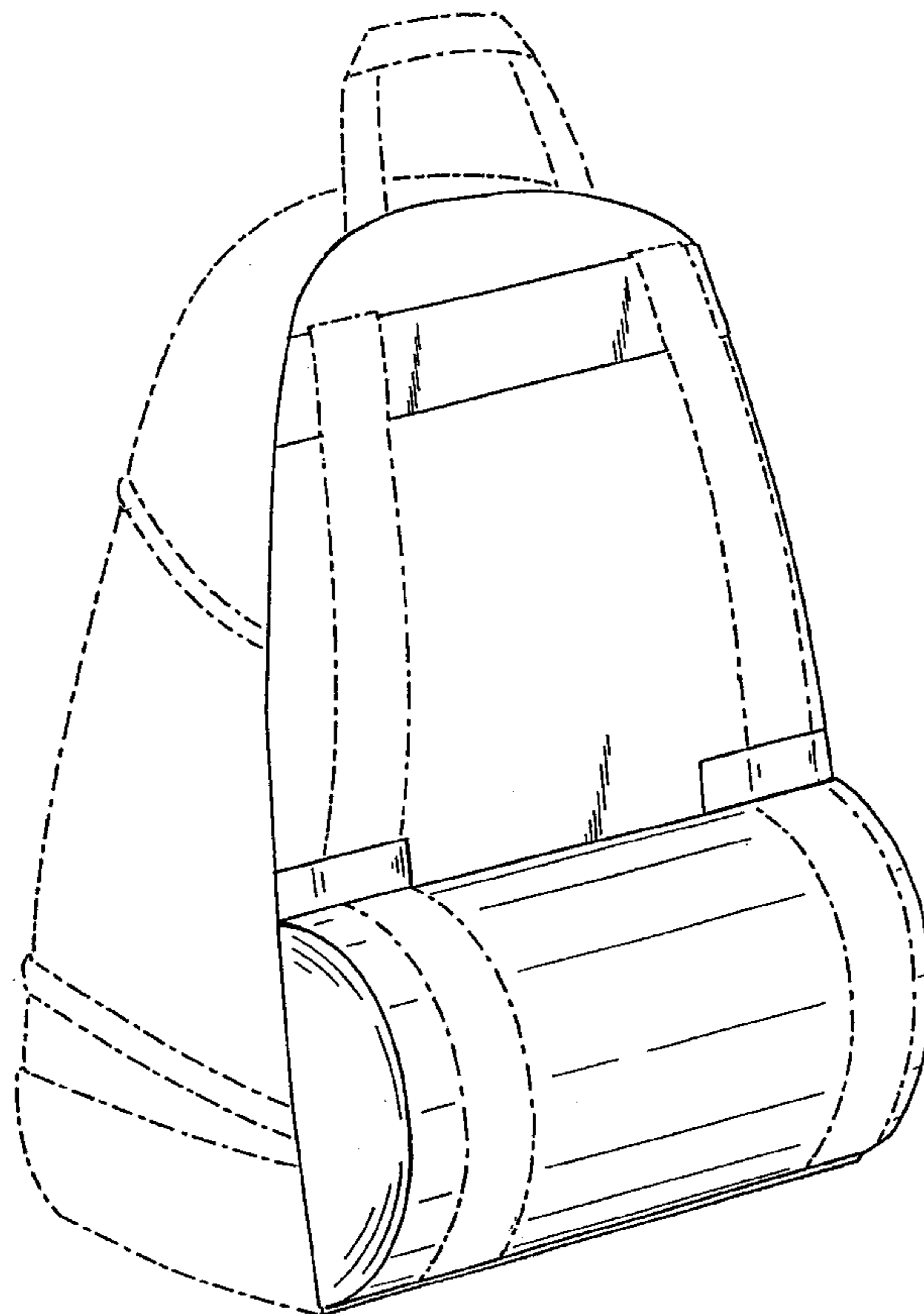
**U.S. PATENT DOCUMENTS**

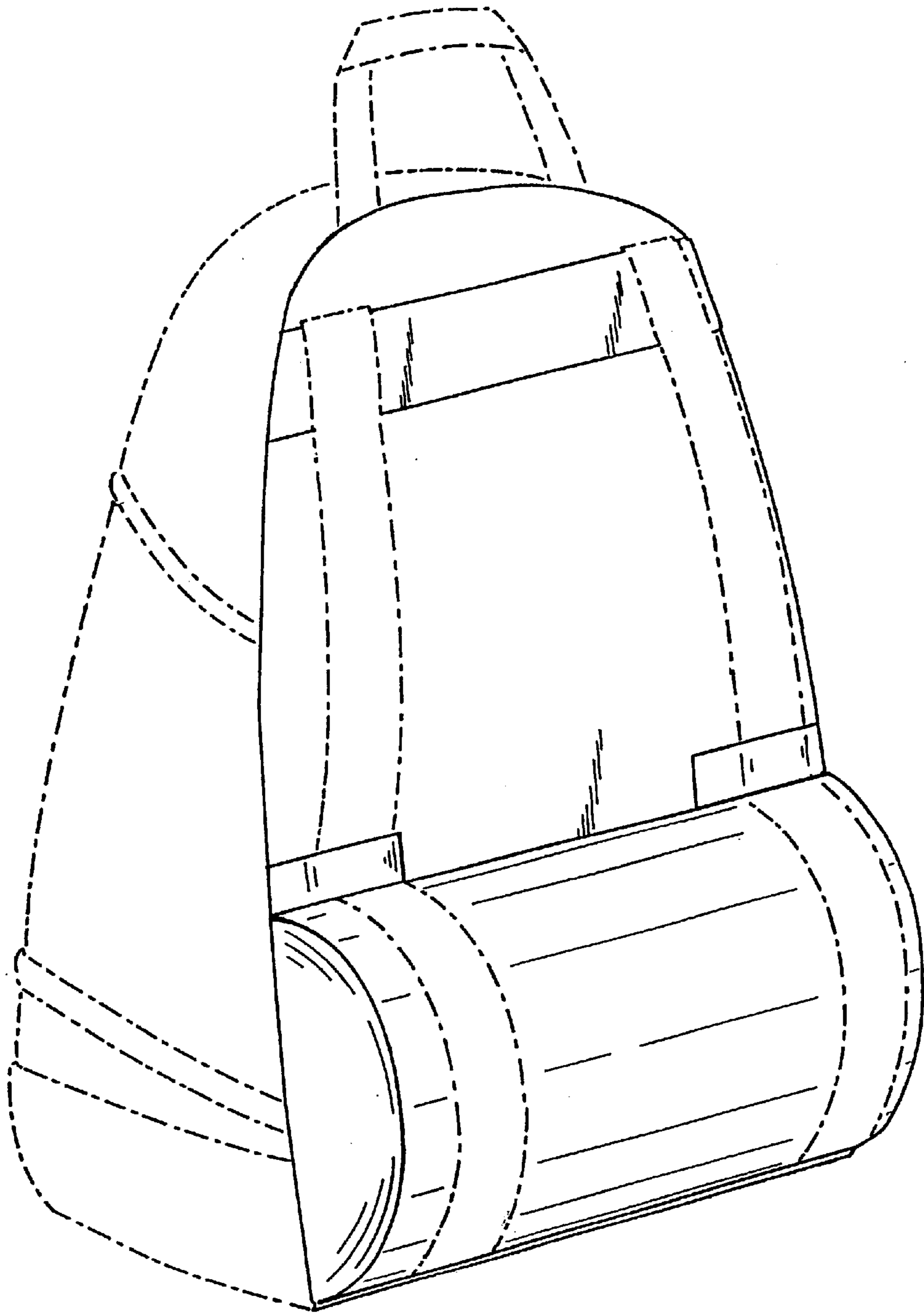
3,206,087	A	*	9/1965	Tyrrell	.....	224/636
D228,043	S	*	7/1973	Sloop	.....	D3/712
D371,677	S	*	7/1996	Cantwell et al.	.....	D3/217
D375,622	S	*	11/1996	Croft	.....	D3/217
5,803,470	A	*	9/1998	Smith	.....	280/37
D399,053	S	*	10/1998	Moraes	.....	D3/216
5,950,896	A	*	9/1999	Theodore	.....	224/647
D415,344	S	*	10/1999	Leibowitz	.....	D3/217

FIG. 1 is a side, rear, perspective view of the backpack rear portion with rearwardly facing shoulder straps and a front portion of the backpack shown in phantom;  
FIG. 2 is a rear view thereof;  
FIG. 3 is a front view thereof;  
FIG. 4 is a right side view thereof;  
FIG. 5 is a left side view thereof;  
FIG. 6 is a top view thereof; and,  
FIG. 7 is a bottom view thereof.

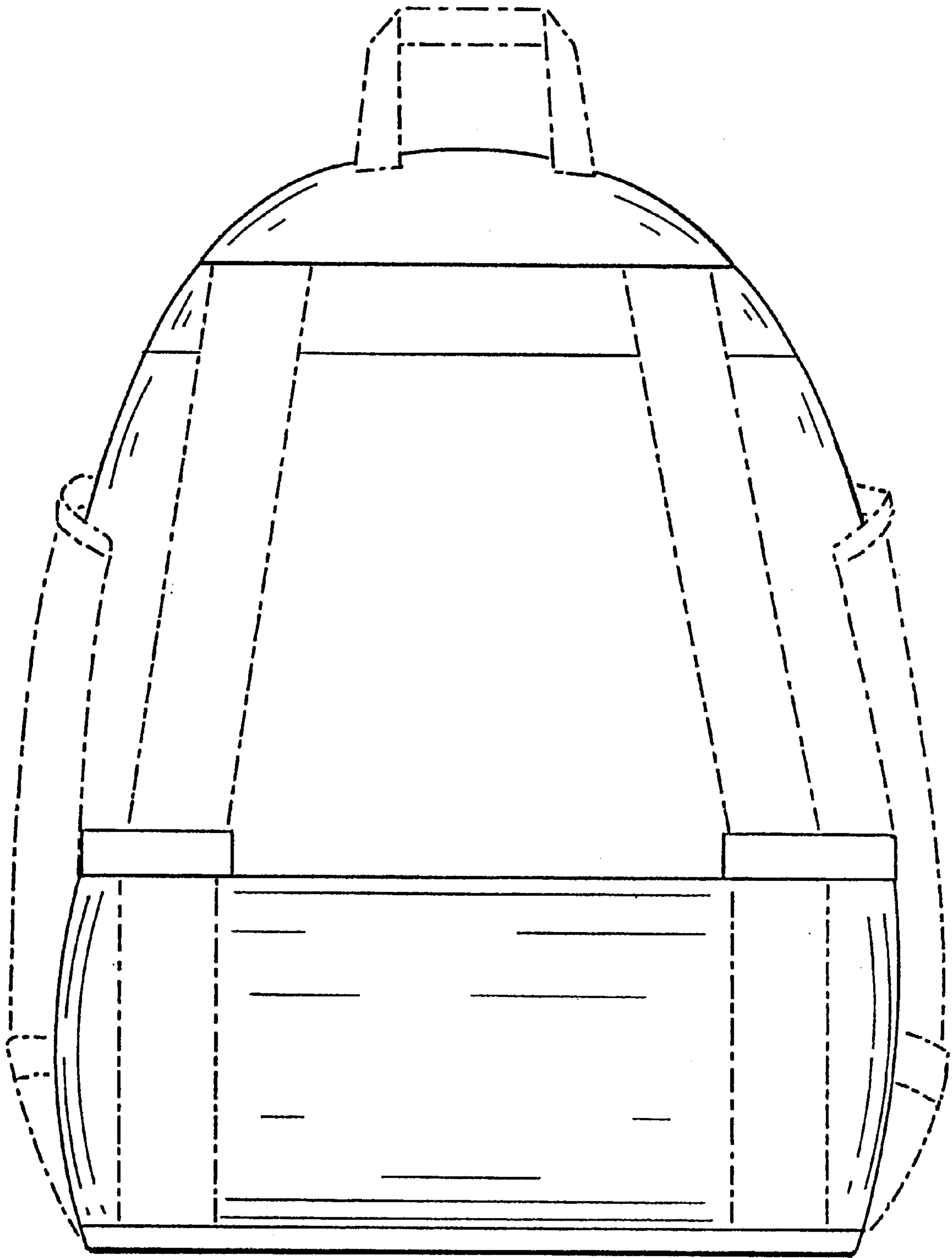
The broken lines shown throughout the views illustrate the environment in which the design exists, and forms no part of the claimed design. Any surfaces which are not shown in solid lines are not part of the claimed design.

**1 Claim, 5 Drawing Sheets**

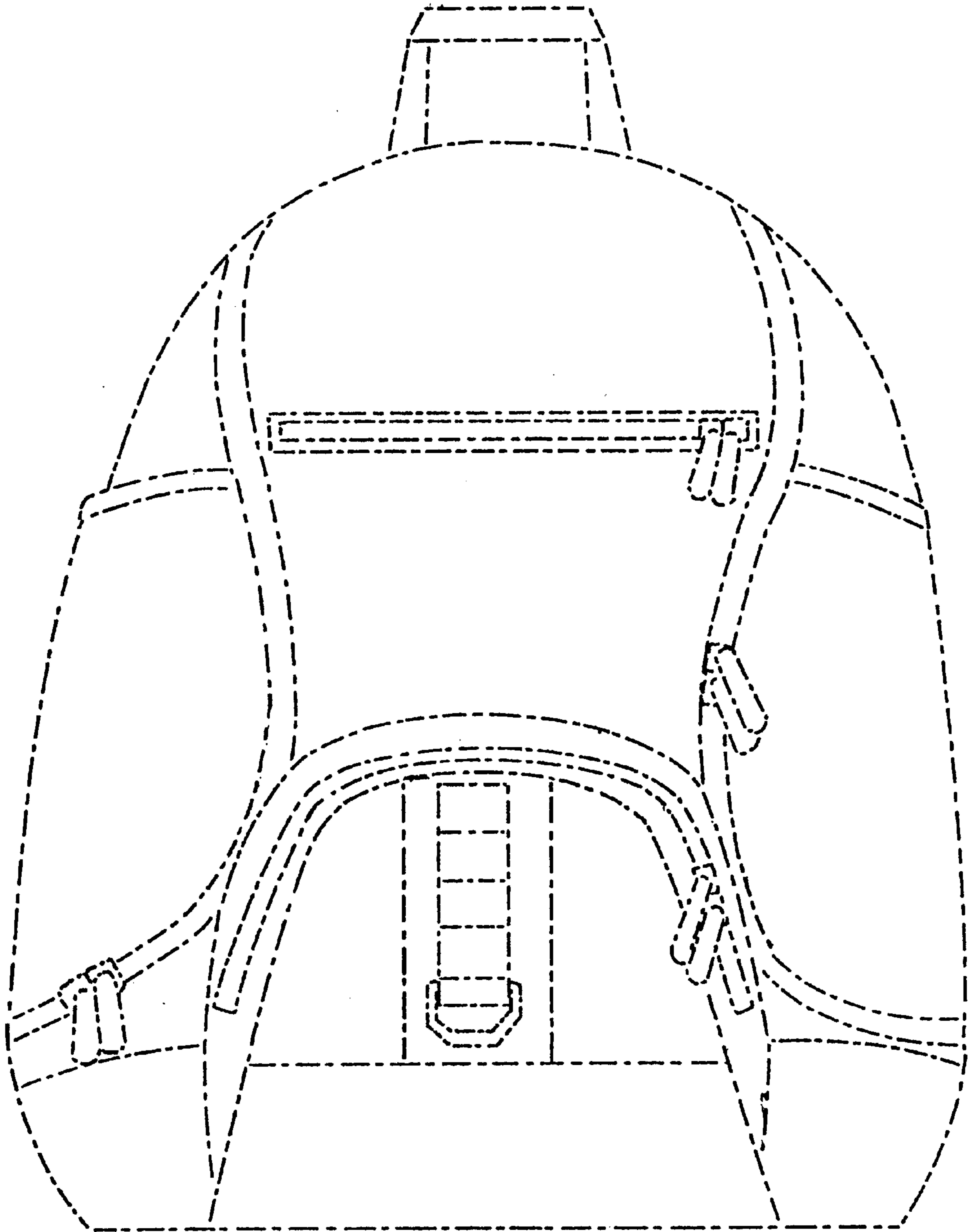




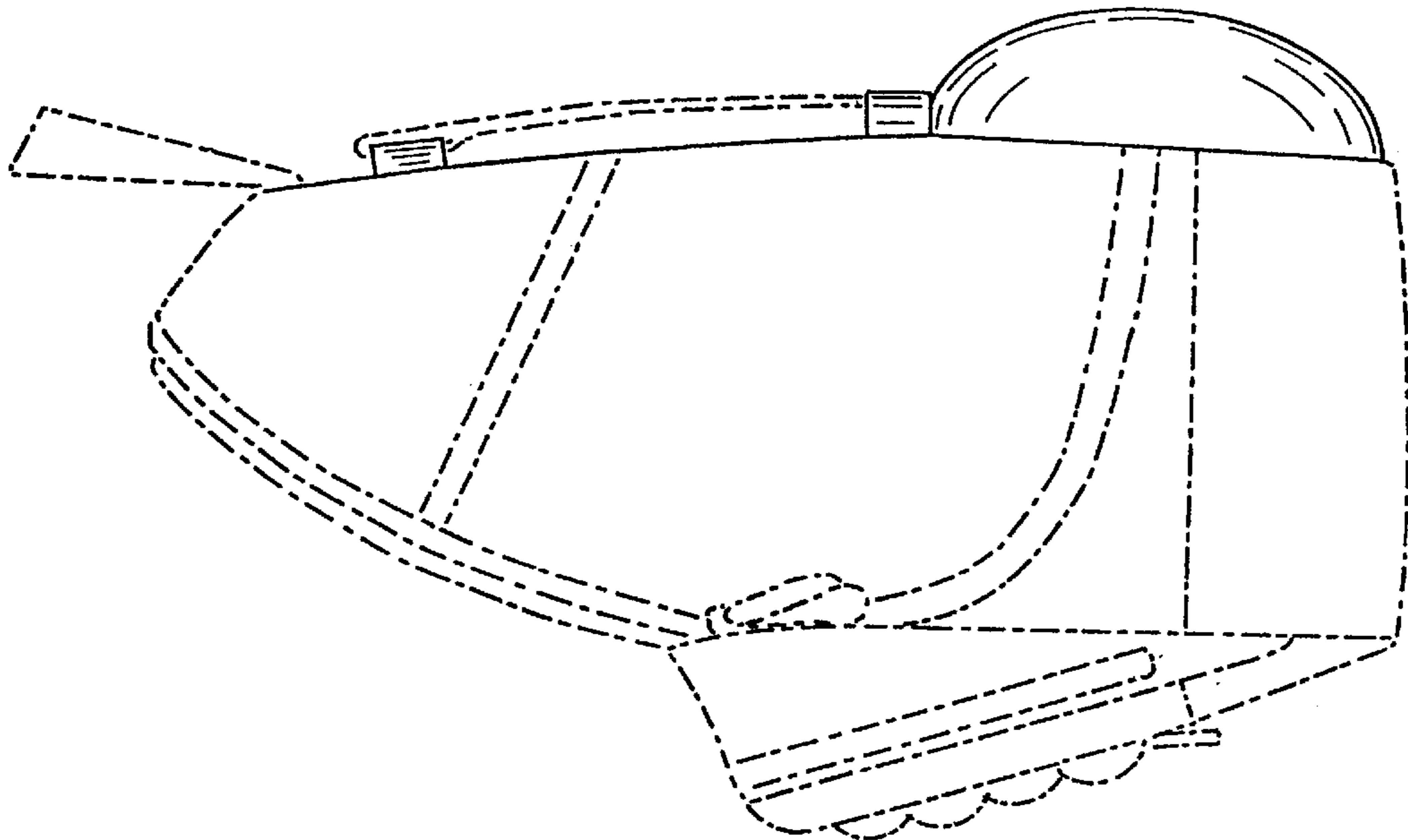
**Fig. 1**



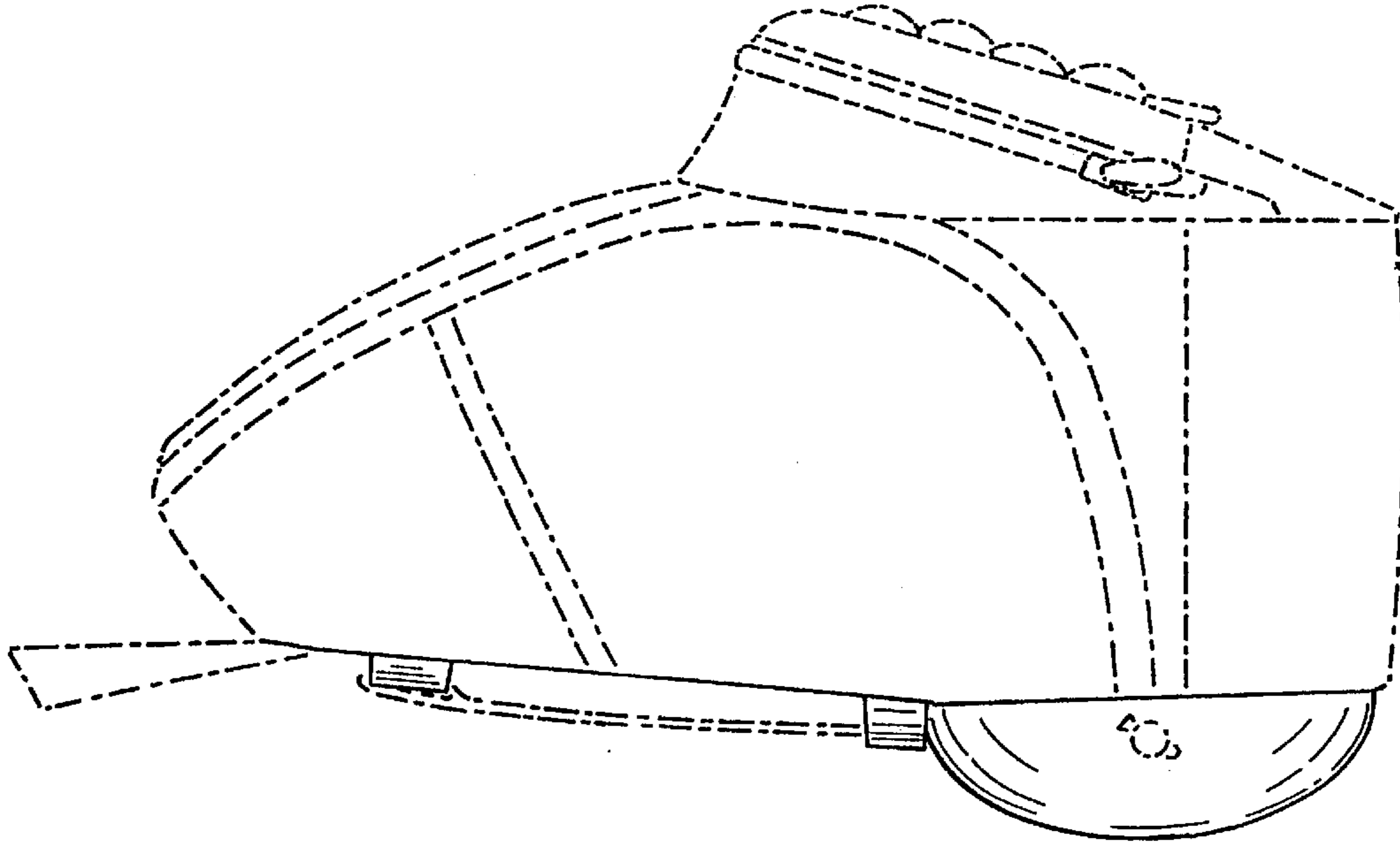
**Fig. 2**



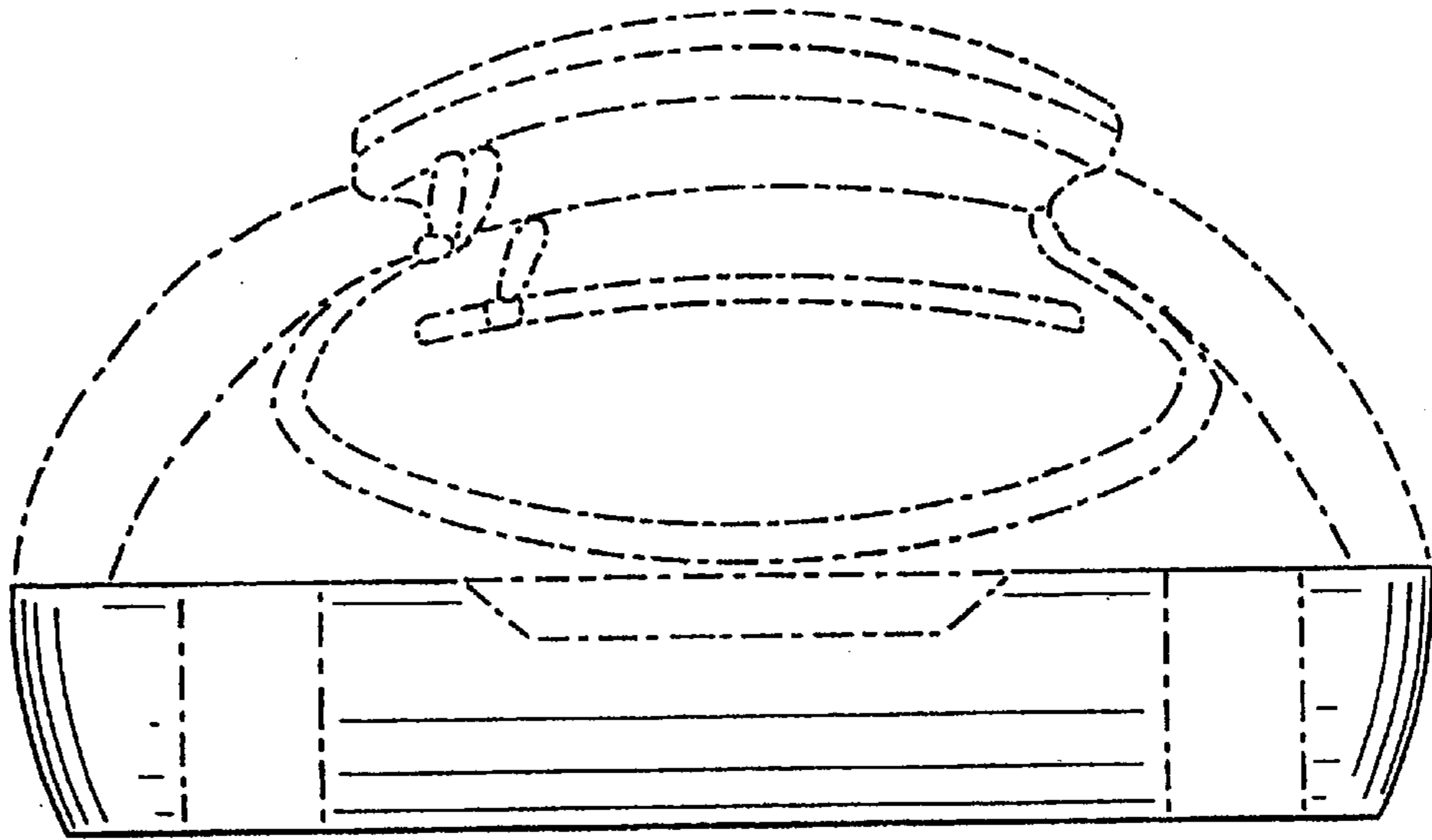
**Fig. 3**



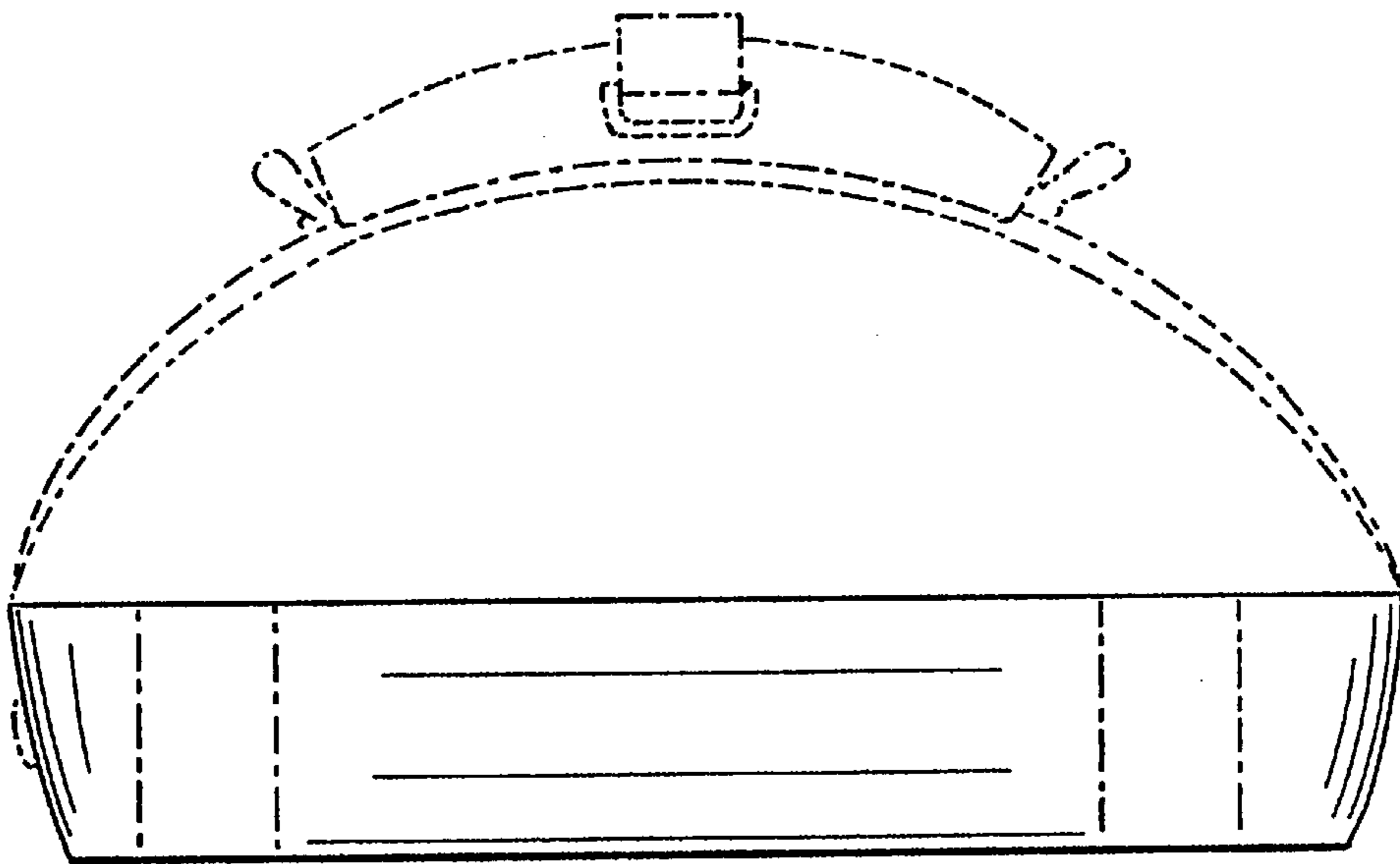
**Fig. 5**



**Fig. 4**



**Fig. 6**



**Fig. 7**