



US00D457304S

(12) **United States Design Patent**  
**Yuen**

(10) **Patent No.:** **US D457,304 S**

(45) **Date of Patent:** **\*\* May 21, 2002**

(54) **KEY CHAIN LIGHT**

(76) **Inventor:** **Se Kit Yuen**, 6/F., Yau Lee Centre, 45  
Hoi Yuen Road, Kwun Tong, Kowloon  
(HK)

(\*\*) **Term:** **14 Years**

(21) **Appl. No.:** **29/148,828**

(22) **Filed:** **Sep. 28, 2001**

(30) **Foreign Application Priority Data**

May 14, 2001 (GB) ..... 2101782

(51) **LOC (7) Cl.** ..... **03-01**

(52) **U.S. Cl.** ..... **D3/209**

(58) **Field of Search** ..... D3/207-212; 70/456 R,  
70/456-458; 24/3.6

(56) **References Cited**

**U.S. PATENT DOCUMENTS**

D375,372 S \* 11/1996 Allen ..... D26/37

D394,856 S \* 6/1998 Chiu ..... D14/124

D425,226 S \* 5/2000 Galli ..... D26/37

D443,370 S \* 6/2001 Yu ..... D26/37

D445,928 S \* 7/2001 Sharrah et al. .... D26/38

\* cited by examiner

*Primary Examiner*—Ralf Seifert

(74) *Attorney, Agent, or Firm*—Raymond Y. Chan; David  
and Raymond Patent Group

(57) **CLAIM**

The ornamental design for a key chain light, as shown.

**DESCRIPTION**

FIG. 1 is a front view thereof.

FIG. 2 is a rear view thereof.

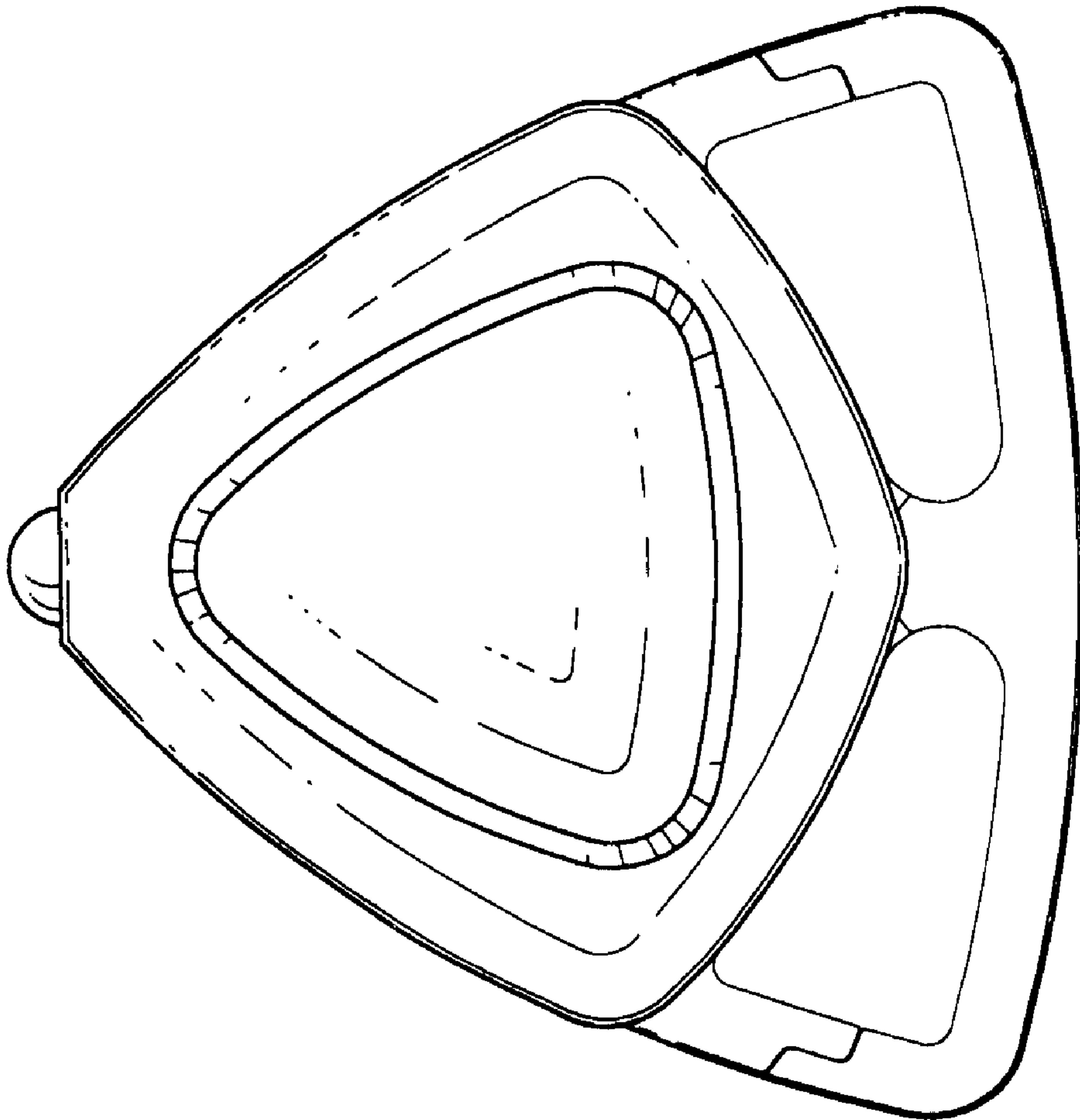
FIG. 3 is a right end view thereof.

FIG. 4 is a left end view thereof.

FIG. 5 is a top view thereof; and,

FIG. 6 is a bottom view thereof.

**1 Claim, 3 Drawing Sheets**



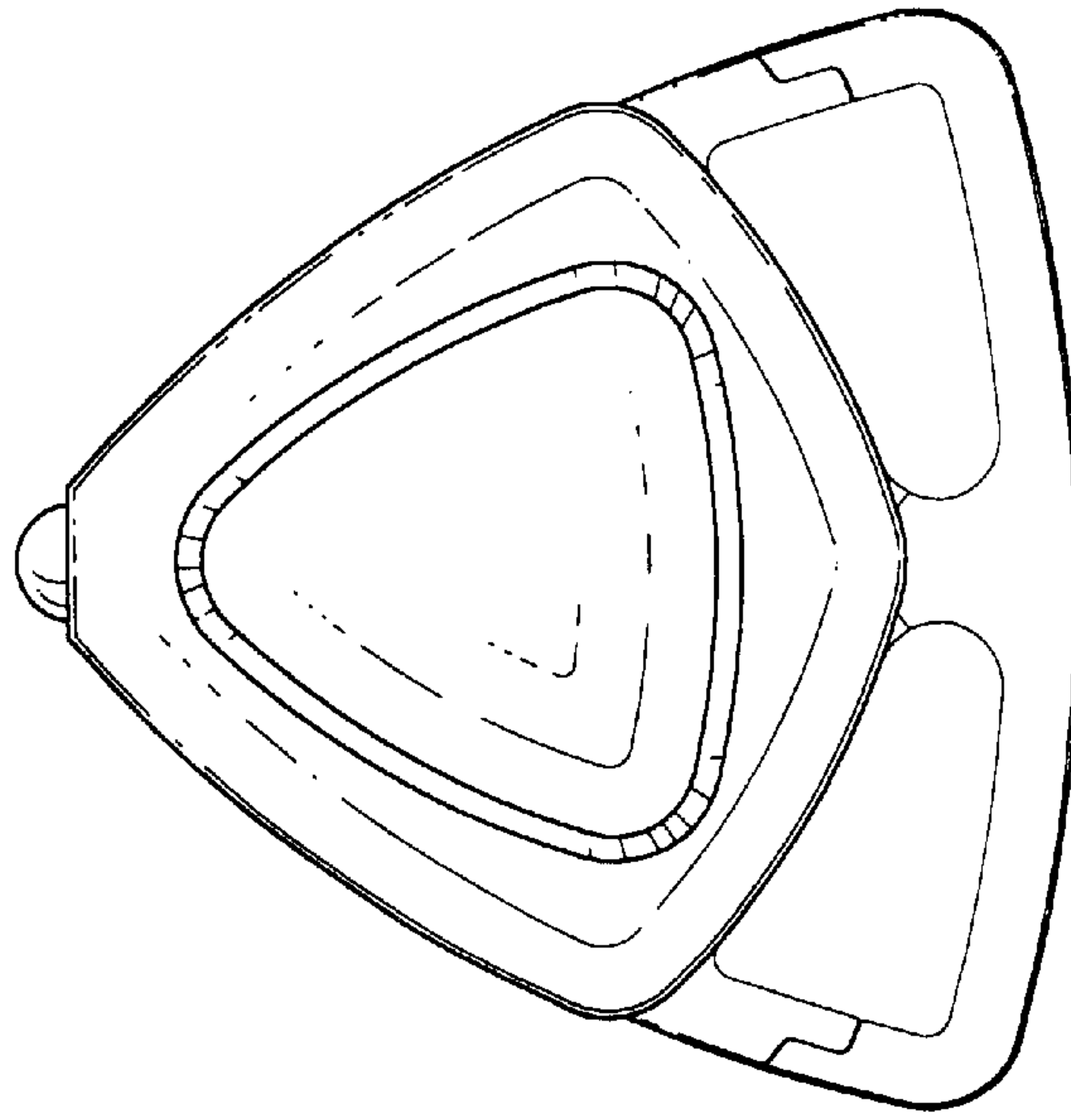


FIG. 1

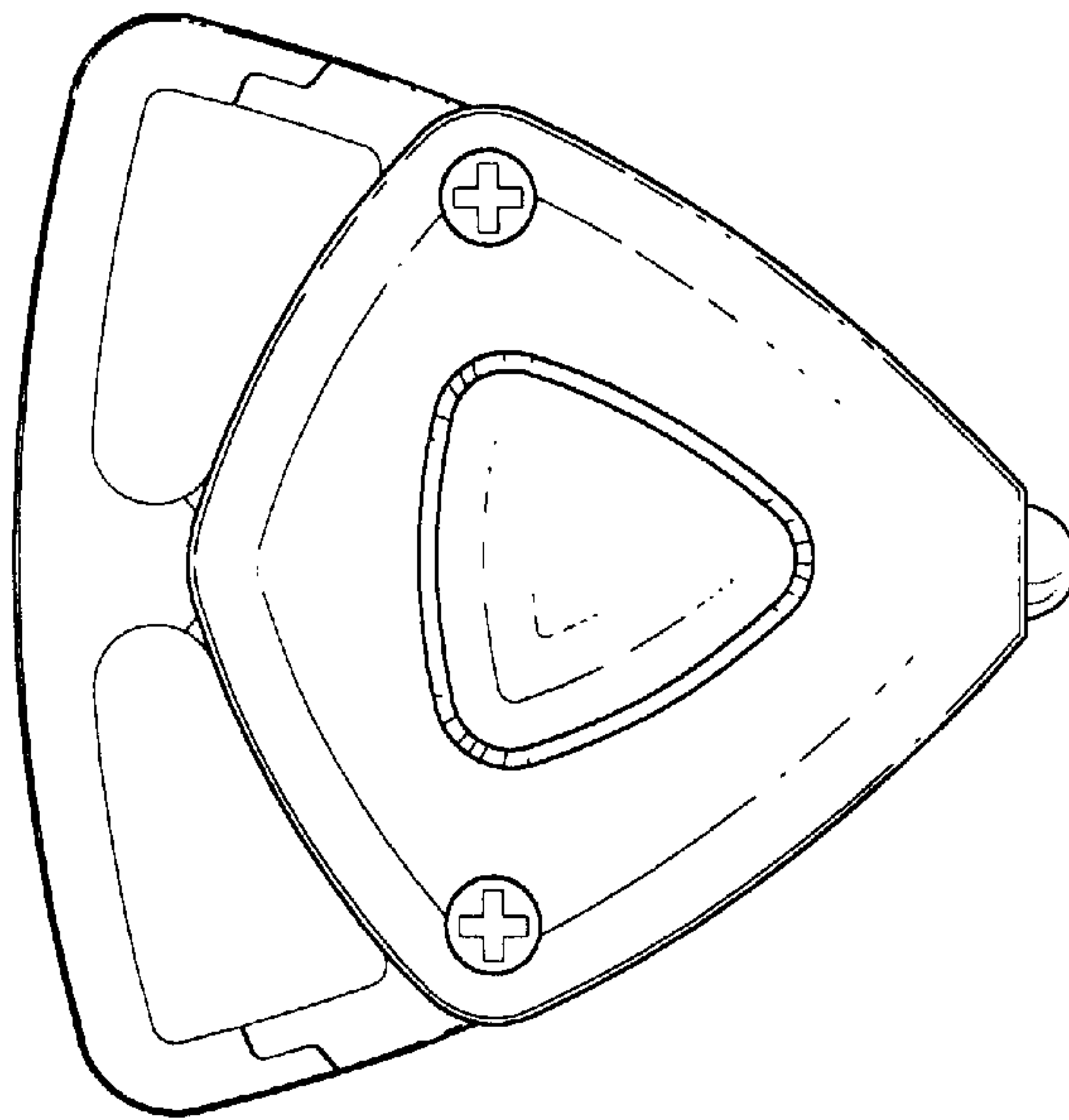


FIG. 2

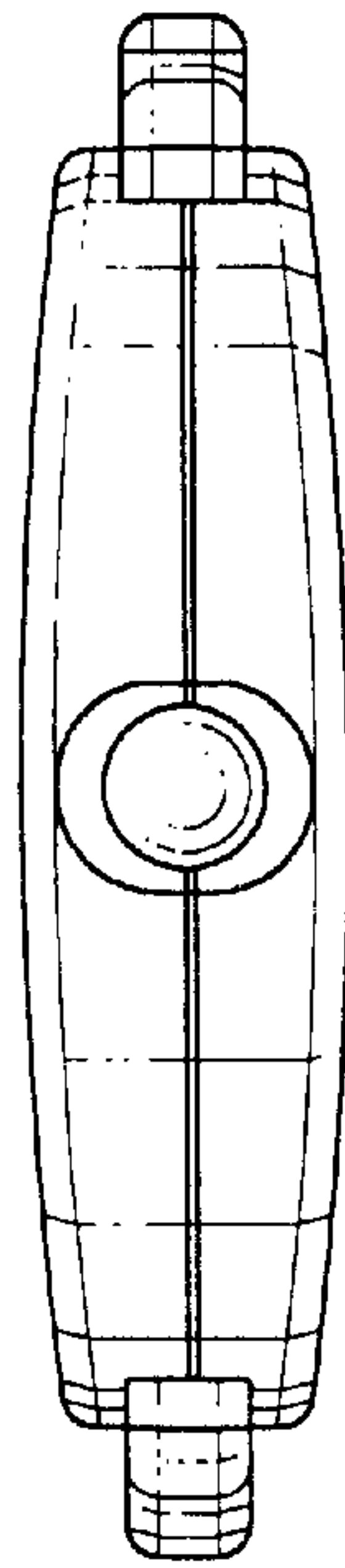


FIG.3

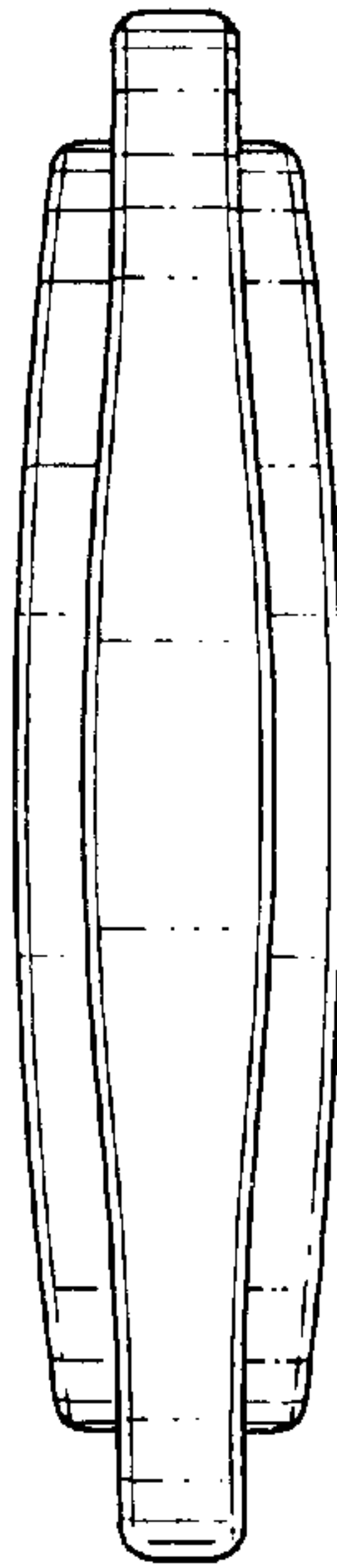


FIG.4

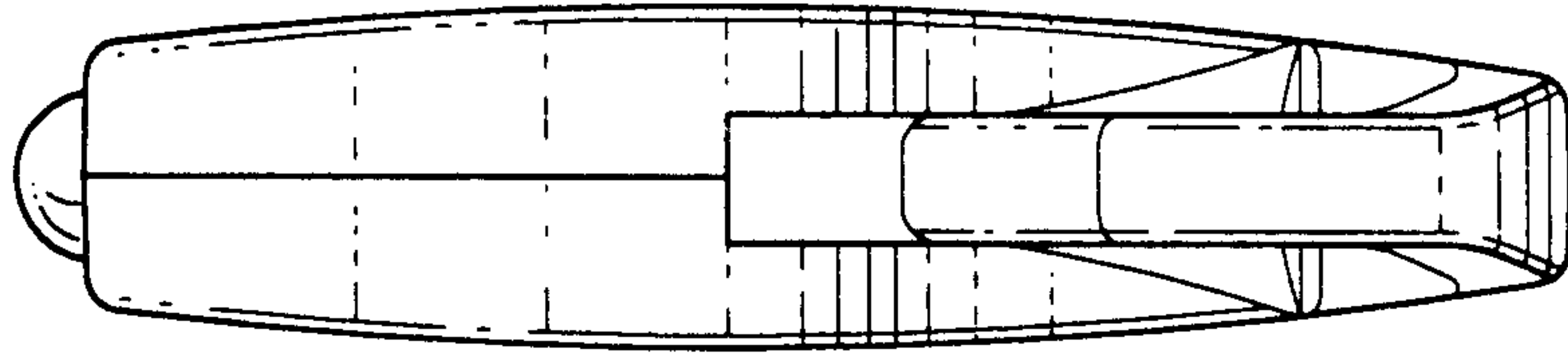


FIG. 5

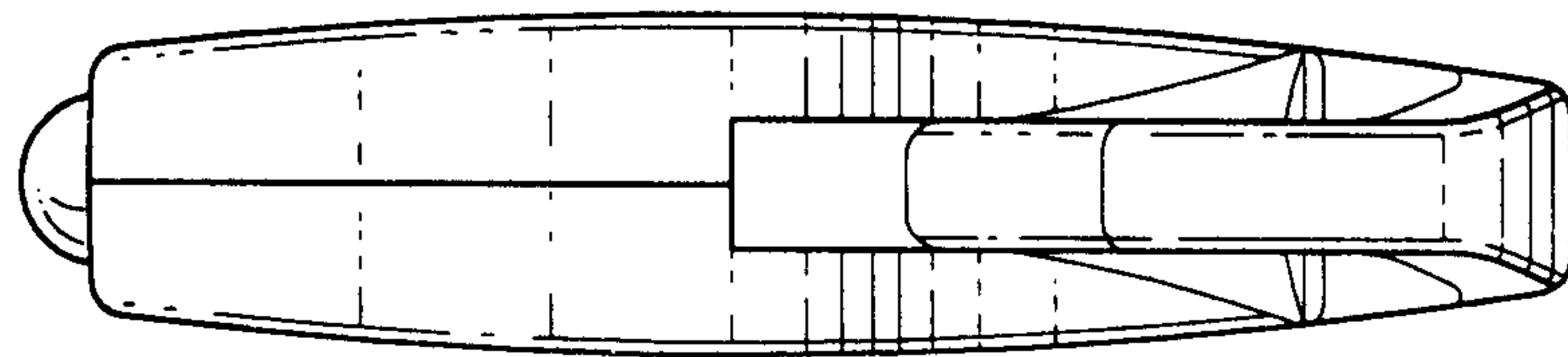


FIG. 6