



US00D457301S

(12) **United States Design Patent**
DeVries et al.

(10) **Patent No.:** **US D457,301 S**

(45) **Date of Patent:** **** May 21, 2002**

(54) **PAGE FROM MAKE-UP PLANNER**

6,164,451 A * 12/2000 Sherman 206/581

(75) Inventors: **Kristine DeVries**, Lewisville; **Jeff Bomar**, Frisco, both of TX (US); **Jaime R. Inocencio**, Shek Tong Tsui (HK)

(73) Assignee: **Mary Kay, Inc.**, Dallas, TX (US)

(**) Term: **14 Years**

(21) Appl. No.: **29/125,640**

(22) Filed: **Jun. 26, 2000**

(51) **LOC (7) Cl.** **03-01**

(52) **U.S. Cl.** **D3/205**

(58) **Field of Search** D3/201, 205, 901;
283/65; 402/70, 80 R; 206/473, 581; 150/113;
190/901; D28/73, 75

(56) **References Cited**

U.S. PATENT DOCUMENTS

1,156,160 A	*	10/1915	Lewis	402/79
2,495,687 A		1/1950	Belmont	206/1
2,502,275 A		3/1950	Perlin	150/1.6
2,778,397 A		1/1957	Carrasco	150/1.6
3,351,064 A		11/1967	Cohn	129/1
4,720,012 A		1/1988	Dufour	206/472
5,393,158 A	*	2/1995	Dall'Arancio	402/79
D385,694 S		11/1997	Magnussen	D3/205
D389,514 S		1/1998	Bedol	D19/32
D400,702 S		11/1998	McEvoy	D3/205
D408,130 S		4/1999	Sherman	D3/205
D411,345 S		6/1999	McEvoy	D3/205
6,004,060 A	*	12/1999	Bedol	402/79 X
6,027,275 A	*	2/2000	Williams	402/80 R
6,155,738 A	*	12/2000	King	402/79

OTHER PUBLICATIONS

Black and white photograph of left side view of a page from a make-up planner prior to Jun. 26, 2000.

Black and white photograph of perspective view of a page from a make-up planner prior to Jun. 26, 2000.

Black and white photograph of top view of a page from a make-up planner prior to Jun. 26, 2000.

* cited by examiner

Primary Examiner—Louis S. Zarfaz

Assistant Examiner—Monica A. Weingart

(74) *Attorney, Agent, or Firm*—Fulbright & Jaworski L.L.P.

(57) **CLAIM**

The ornamental design for a page from make-up planner, as shown and described.

DESCRIPTION

FIG. 1 is an isometric view of one embodiment of our design;

FIG. 2 is a top view of the embodiment of our design depicted in FIG. 1;

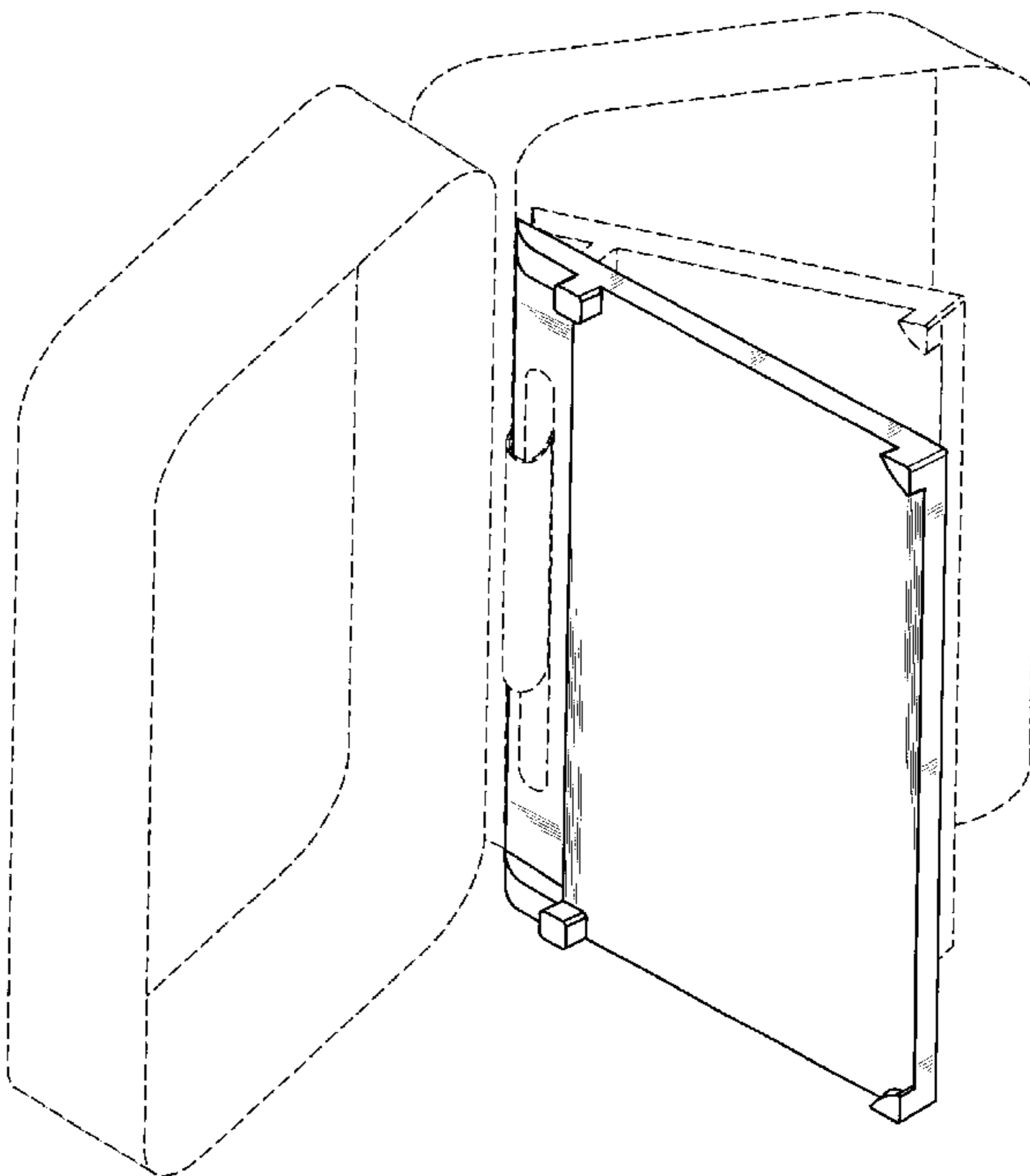
FIG. 3 is an elevational view of the left side of the embodiment of our design depicted in FIG. 1 with the right side thereof being identical in appearance;

FIG. 4 is an elevational view of the front of the embodiment of our design depicted in FIG. 1; and,

FIG. 5 is an elevational view of the rear of the embodiment of our design depicted in FIG. 1.

The broken line showing of FIGS. 1-5 is for illustrative purposes only and forms no part of the claimed design.

1 Claim, 3 Drawing Sheets



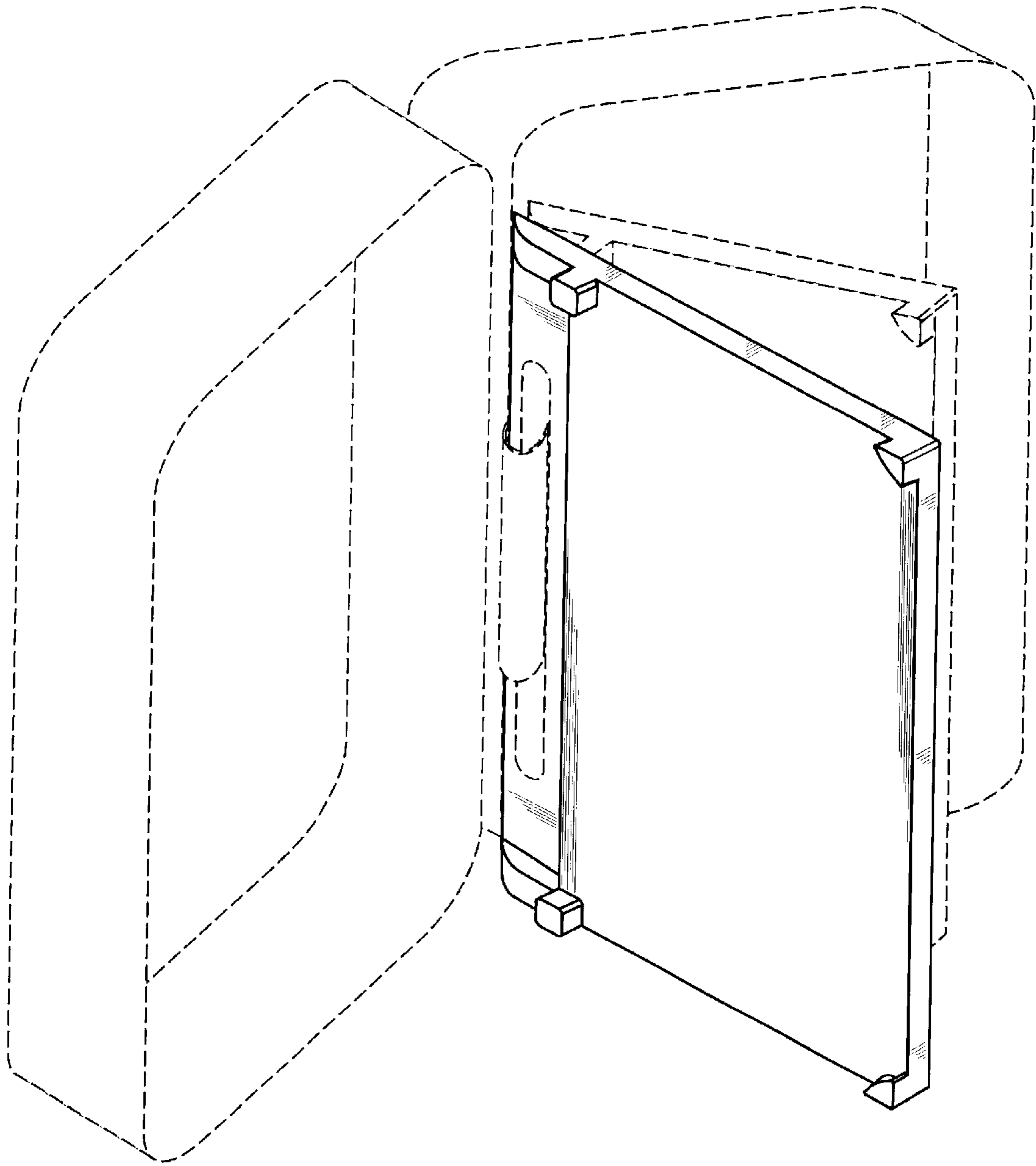


FIG. 1

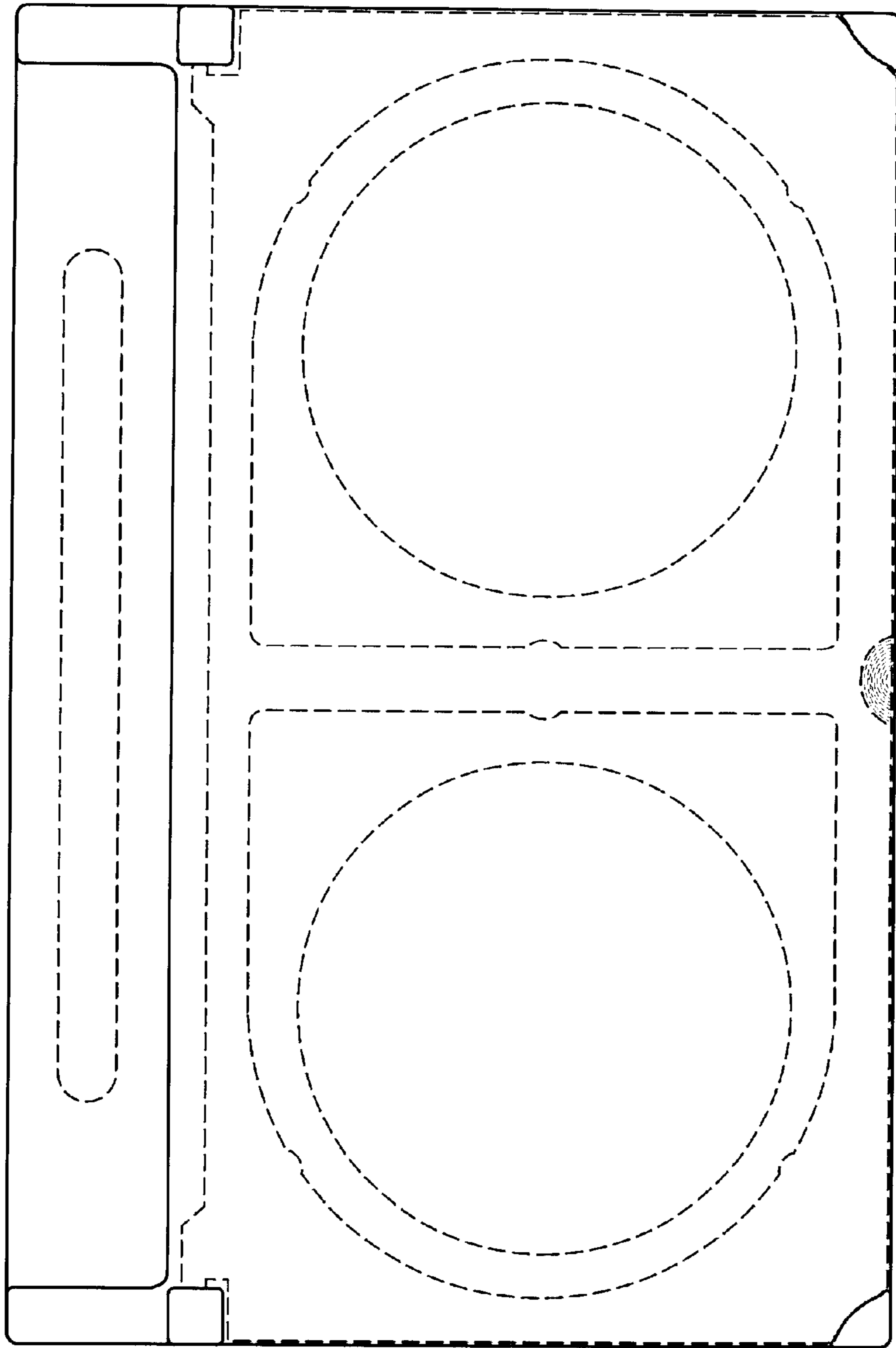


FIG. 2

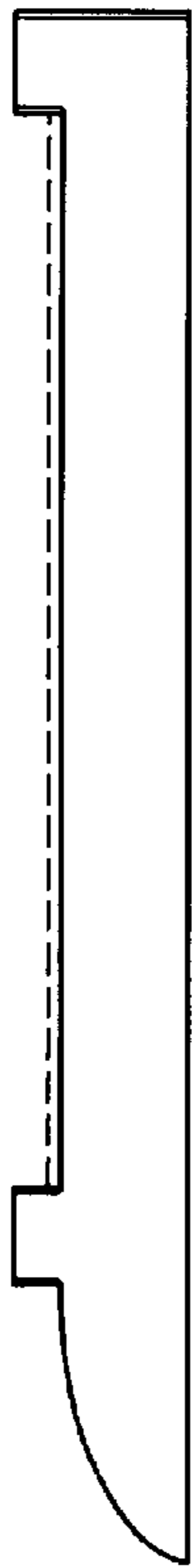


FIG. 3

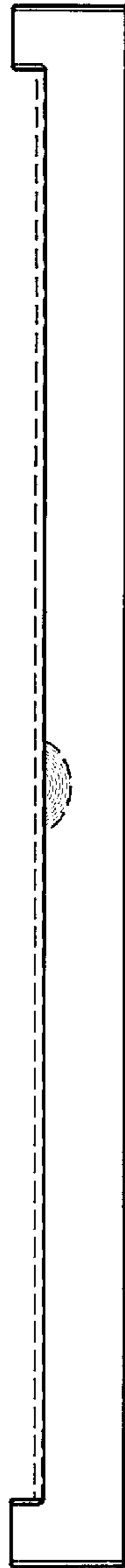


FIG. 4

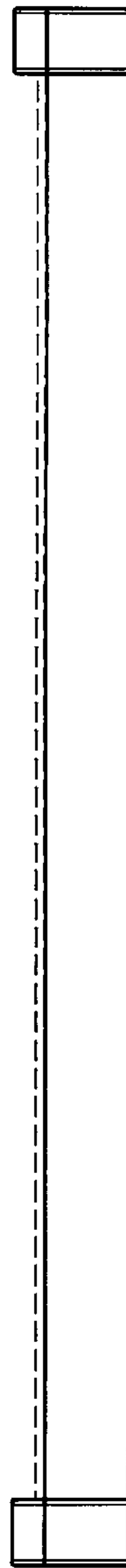


FIG. 5

UNITED STATES PATENT AND TRADEMARK OFFICE
CERTIFICATE OF CORRECTION

PATENT NO. : Des. 457,301 S
DATED : May 21, 2002
INVENTOR(S) : DeVries et al.

Page 1 of 3

It is certified that error appears in the above-identified patent and that said Letters Patent is hereby corrected as shown below:

Title page,

DESCRIPTION,

Please delete "FIG. 1 is an isometric" and insert -- FIG. 1 is an isometric -- therefor.

Delete:

"FIG. 5 is an elevational view of the rear of the embodiment of our design depicted in FIG. 1.

The broken line showing of FIGS. 1-5 is for illustrative purposes only and forms no part of the claimed design."

and insert:

-- FIG. 5 is an elevational view of the rear of the embodiment of our design depicted in FIG. 1; and

FIG. 6 is an exploded detail of a portion of the rear of a second embodiment of our design, the only difference being that the edges of the second embodiment are rounded as indicated by the hatching.

The broken lines shown in FIGS. 1-6 are for illustrative purposes only and form no part of the claimed design. --

therefor.

Signed and Sealed this

Twentieth Day of May, 2003



JAMES E. ROGAN

Director of the United States Patent and Trademark Office

UNITED STATES PATENT AND TRADEMARK OFFICE
CERTIFICATE OF CORRECTION

PATENT NO. : Des. 457,301 S
DATED : May 21, 2002
INVENTOR(S) : DeVries et al.

Page 2 of 3

It is certified that error appears in the above-identified patent and that said Letters Patent is hereby corrected as shown below:

Drawings,

Please amend FIG. 5 in accordance with the revisions shown below:

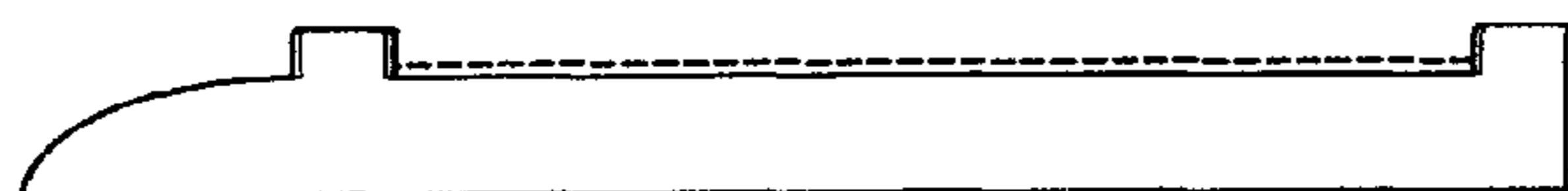


FIG. 3



FIG. 4

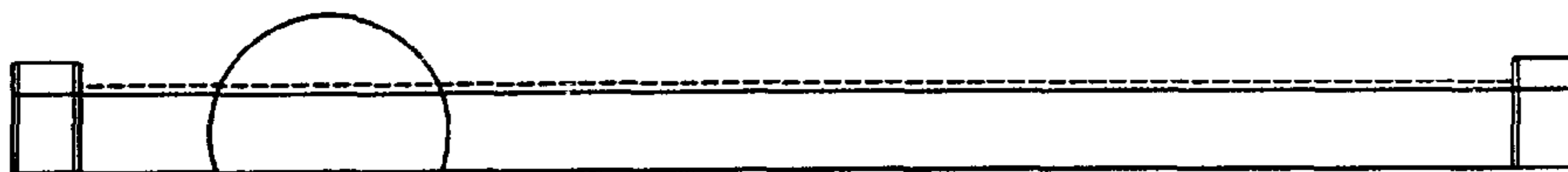


FIG. 5

SEE FIG. 6

UNITED STATES PATENT AND TRADEMARK OFFICE
CERTIFICATE OF CORRECTION

PATENT NO. : Des. 457,301 S
DATED : May 21, 2002
INVENTOR(S) : DeVries et al.

Page 3 of 3

It is certified that error appears in the above-identified patent and that said Letters Patent is hereby corrected as shown below:

Drawings, cont'd,
Please add new FIG. 6 below:

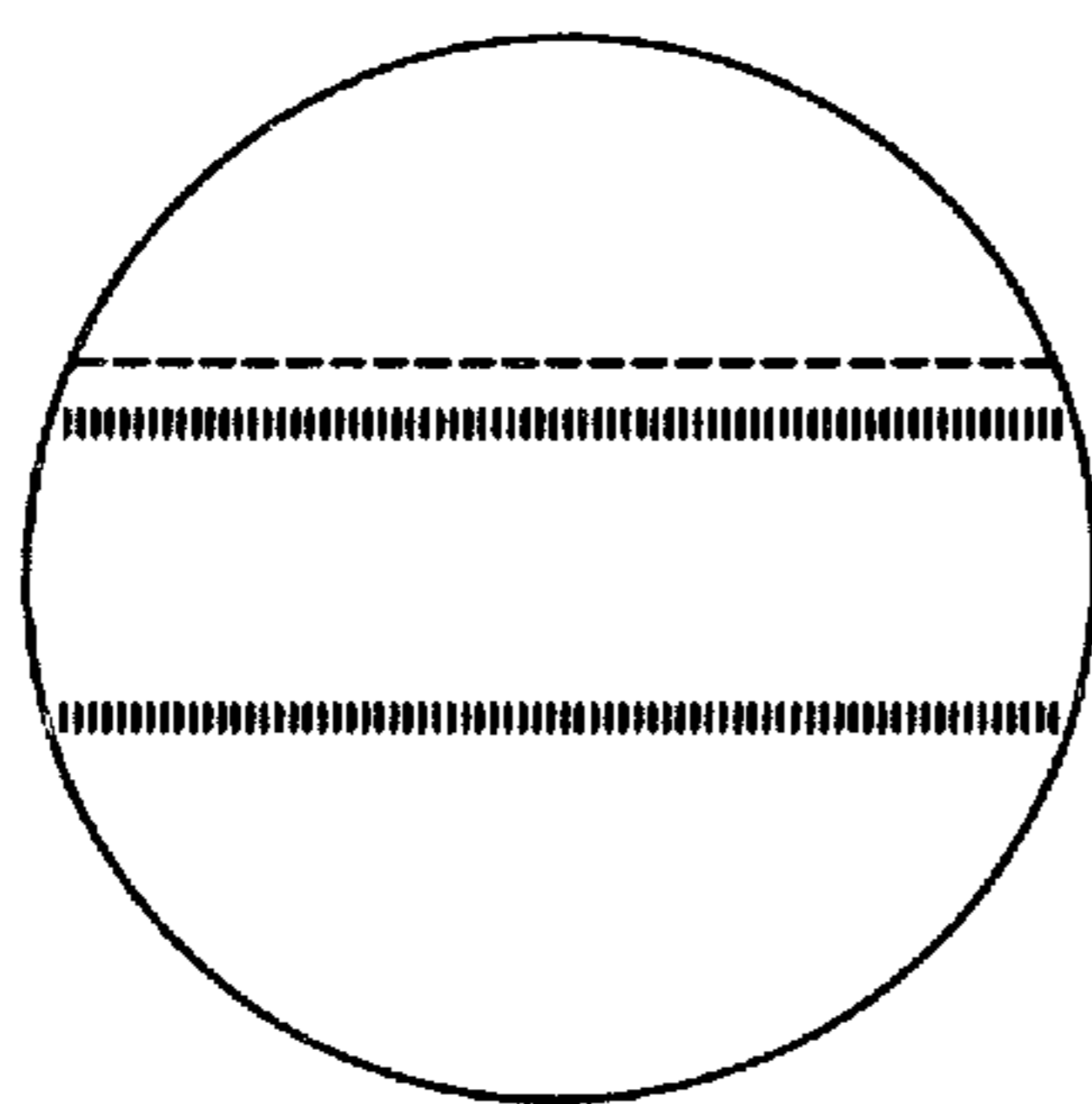


FIG. 6