



US00D457299S

(12) **United States Design Patent**
Bruce et al.

(10) **Patent No.:** **US D457,299 S**

(45) **Date of Patent:** **** May 21, 2002**

(54) **ELECTRO-LUMINESCENT WELT**

(76) Inventors: **Kevin Bruce**, 921 N. 1st St., Renton, WA (US) 98055; **Luis Lorca-Merono**, 614 - 19th St., Snohomish, WA (US) 98290

(**) Term: **14 Years**

(21) Appl. No.: **29/138,485**

(22) Filed: **Mar. 12, 2001**

(51) **LOC (7) Cl.** **02-99**

(52) **U.S. Cl.** **D2/977**

(58) **Field of Search** D2/946, 977; 36/78, 36/136, 137

(56) **References Cited**

U.S. PATENT DOCUMENTS

D27,960 S	*	12/1897	Merrick	D2/977
D51,804 S	*	2/1918	Schemmel	D2/977
D56,716 S	*	11/1920	Vanderslice	D2/977
2,108,061 A	*	2/1938	Hale	D2/977 X
D127,745 S	*	6/1941	Graff	D2/977
2,473,877 A	*	6/1949	Goldstein	36/137
3,161,797 A		12/1964	Butler et al.		
3,170,253 A	*	2/1965	Johnson	36/78
5,052,131 A	*	10/1991	Rondini	36/137
5,067,063 A		11/1991	Granneman et al.	362/156
5,245,517 A		9/1993	Fenton	362/156
5,485,355 A		1/1996	Voskoboinik et al.	362/84
D377,561 S	*	1/1997	McClelland	D2/977
5,720,121 A	*	2/1998	Barker	36/137
5,836,671 A		11/1998	Chien	362/84

5,869,930 A		2/1999	Baumberg et al.	313/506
6,066,384 A	*	5/2000	Crandall	36/137 X
6,074,071 A		6/2000	Baumberg et al.	362/101
D435,166 S	*	12/2000	Ho	D2/977
6,278,378 B1	*	8/2001	Feiner et al.	36/137 X

* cited by examiner

Primary Examiner—Dominic Simone

(74) *Attorney, Agent, or Firm*—Dean A. Craine

(57) **CLAIM**

The ornamental design for an electro-luminescent welt, as shown and described.

DESCRIPTION

FIG. 1 is a first embodiment of perspective view of the electro-luminescent welt.

FIG. 2 is a top plan view of the invention.

FIG. 3 is a bottom plan view of the invention.

FIG. 4 is a front elevation view of the invention.

FIG. 5 is a rear elevation view of the invention.

FIG. 6 is a left side elevation view of the invention.

FIG. 7 is a right side elevation view of the invention.

FIG. 8 is a second embodiment of perspective view of the electro-luminescent welt.

FIG. 9 is a top plan view of the invention.

FIG. 10 is a bottom plan view of the invention.

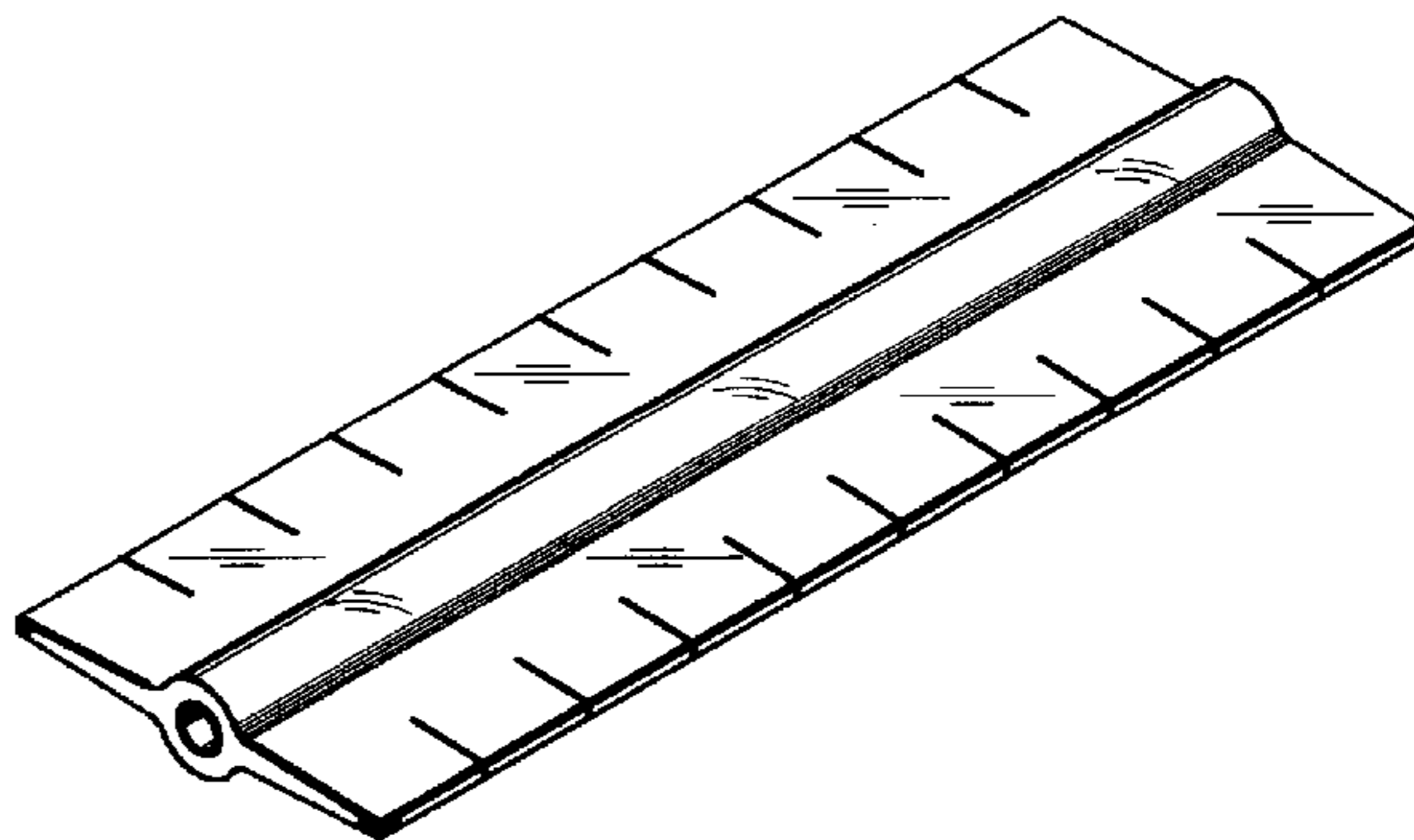
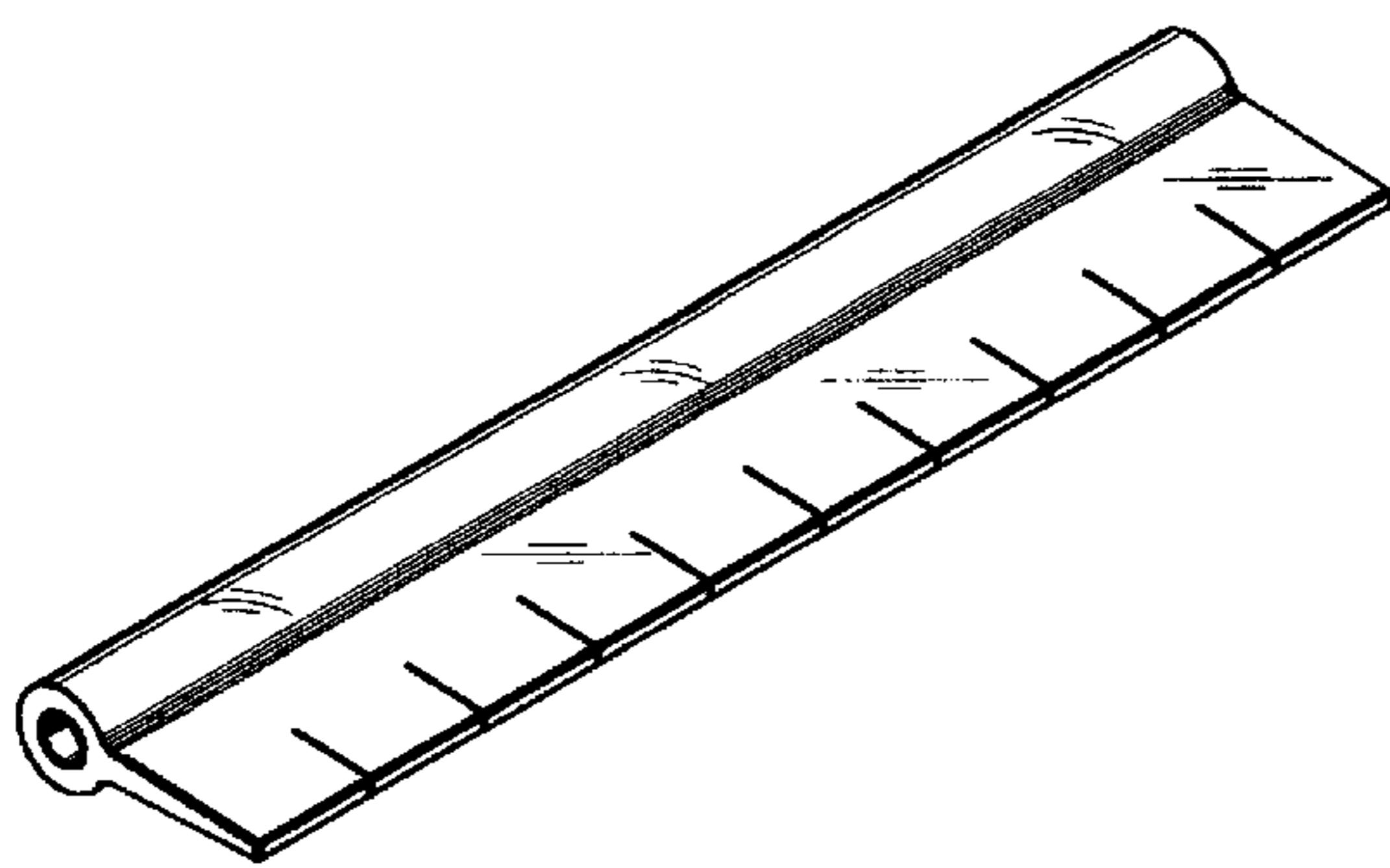
FIG. 11 is a front elevation view of the invention.

FIG. 12 is a rear elevation view of the invention.

FIG. 13 is a left side elevation view of the invention; and,

FIG. 14 is a right side elevation view of the invention.

1 Claim, 2 Drawing Sheets



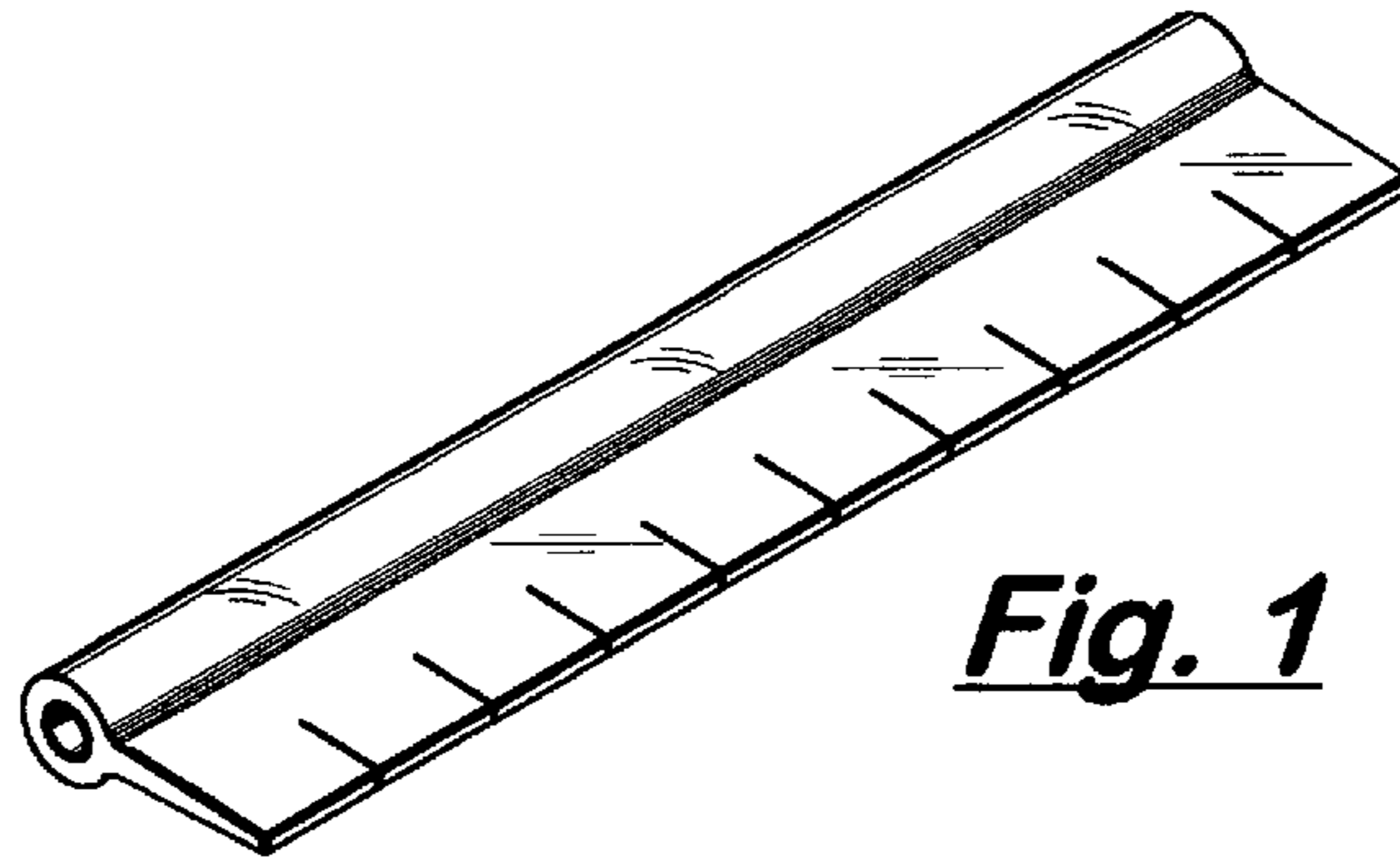


Fig. 1

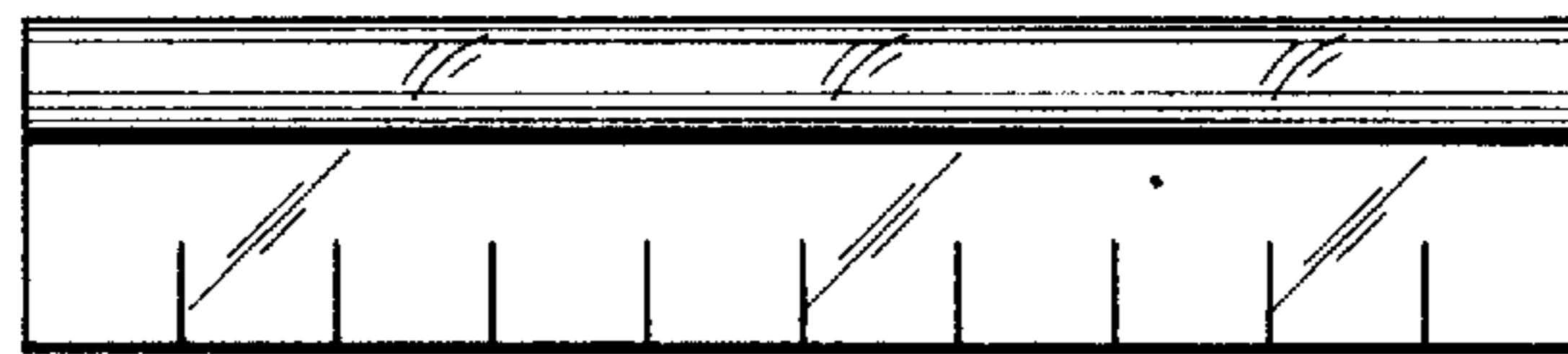


Fig. 2

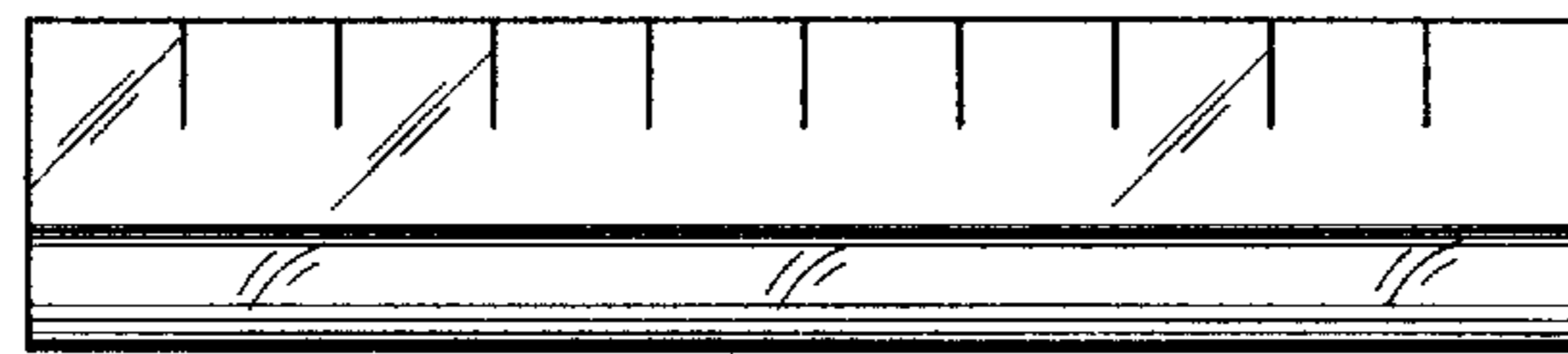


Fig. 3

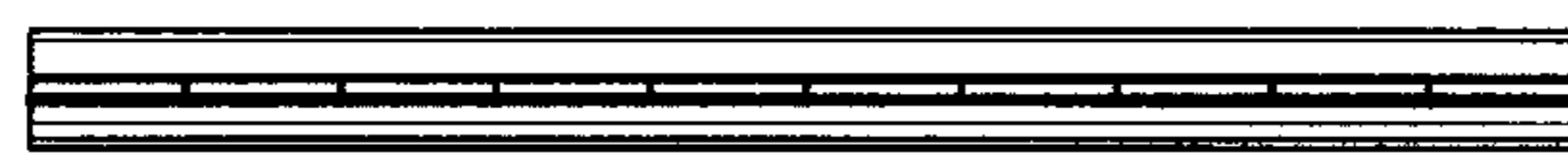


Fig. 4

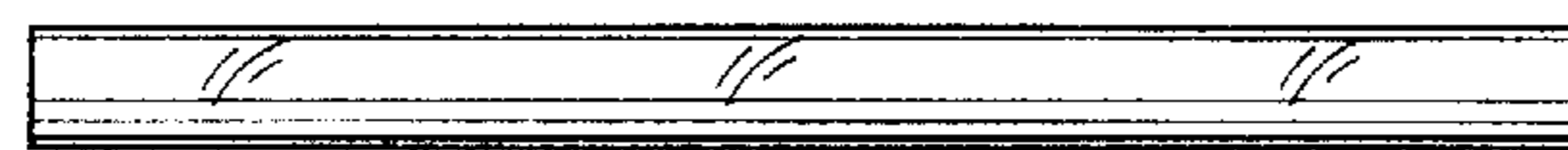


Fig. 5



Fig. 6



Fig. 7

