



US00D457294S

(12) **United States Design Patent**
Savoie

(10) **Patent No.:** **US D457,294 S**

(45) **Date of Patent:** **** May 21, 2002**

(54) **NON-PENETRATING CLEAT**

D432,770 S * 10/2000 Breault et al. D2/962

(75) Inventor: **Armand J. Savoie**, Gardner, MA (US)

* cited by examiner

(73) Assignee: **MacNeill Engineering Company, Inc.**,
Marlborough, MA (US)

Primary Examiner—Louis S. Zarfes

Assistant Examiner—Gregory Andoll

(**) Term: **14 Years**

(74) *Attorney, Agent, or Firm*—Bromberg & Sunstein LLP

(21) Appl. No.: **29/138,173**

(57) **CLAIM**

The ornamental design for a non-penetrating cleat, as shown and described.

(22) Filed: **Mar. 8, 2001**

DESCRIPTION

(51) **LOC (7) Cl.** **02-04**

(52) **U.S. Cl.** **D2/962**

(58) **Field of Search** D2/962, 964, 946,
D2/954–958; 36/127, 134, 59.2, 61, 62,
65, 66, 67 R, 67 A, 67 B, 67 C, 67 D,
59 A, 59 B, 59 C, 59 D

FIG. 1 is a perspective view of a non-penetrating cleat showing our new design;

FIG. 2 is a bottom plan view thereof;

FIG. 3 is a top plan view thereof;

FIG. 4 is a side elevational view thereof;

FIG. 5 is another side elevational view thereof; and,

FIG. 6 is another side elevational view thereof.

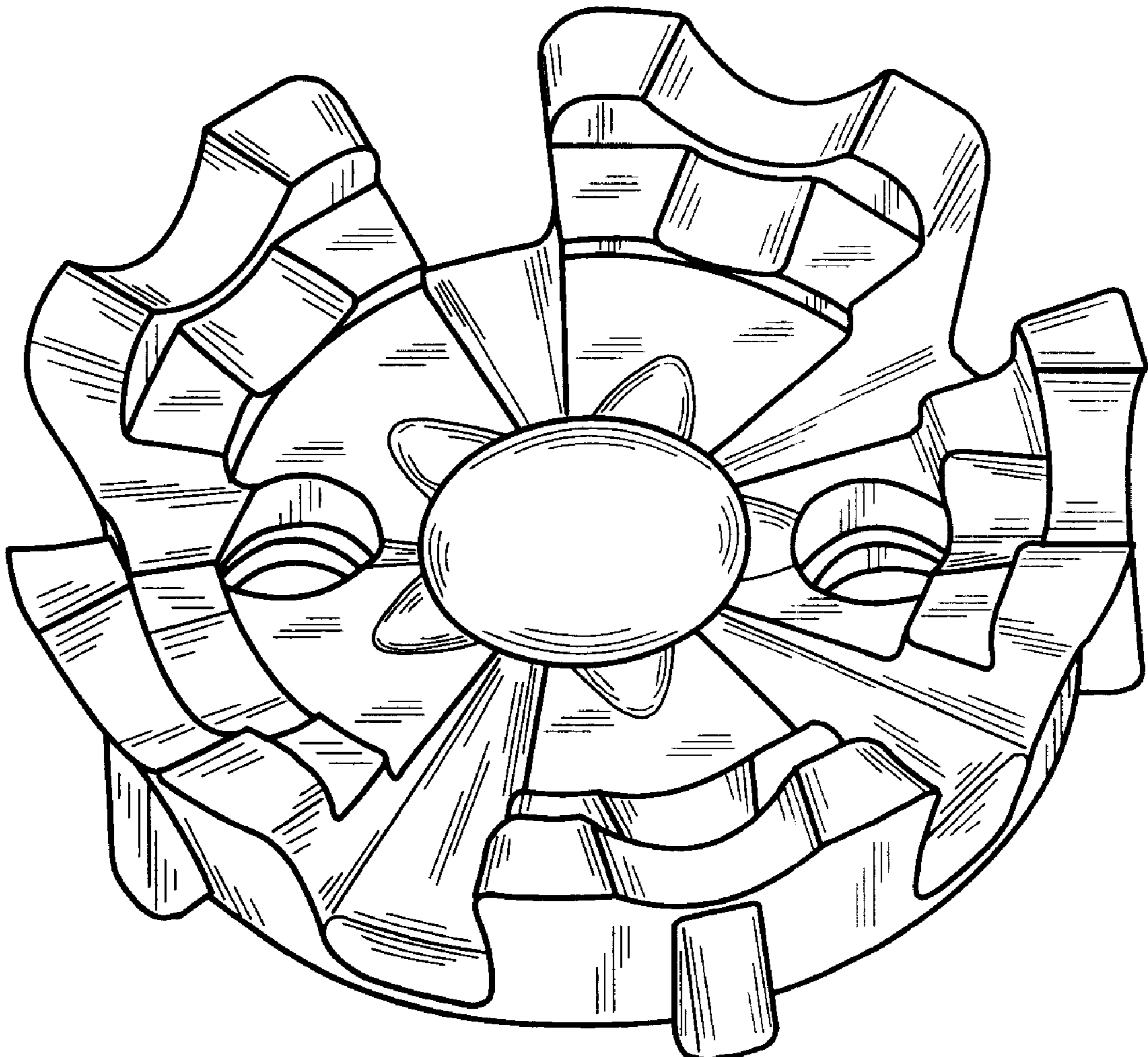
The broken lines in the Figures are for illustrative purposes only and form no part of the claimed design.

(56) **References Cited**

U.S. PATENT DOCUMENTS

D408,122 S * 4/1999 McMullin D2/962

1 Claim, 2 Drawing Sheets



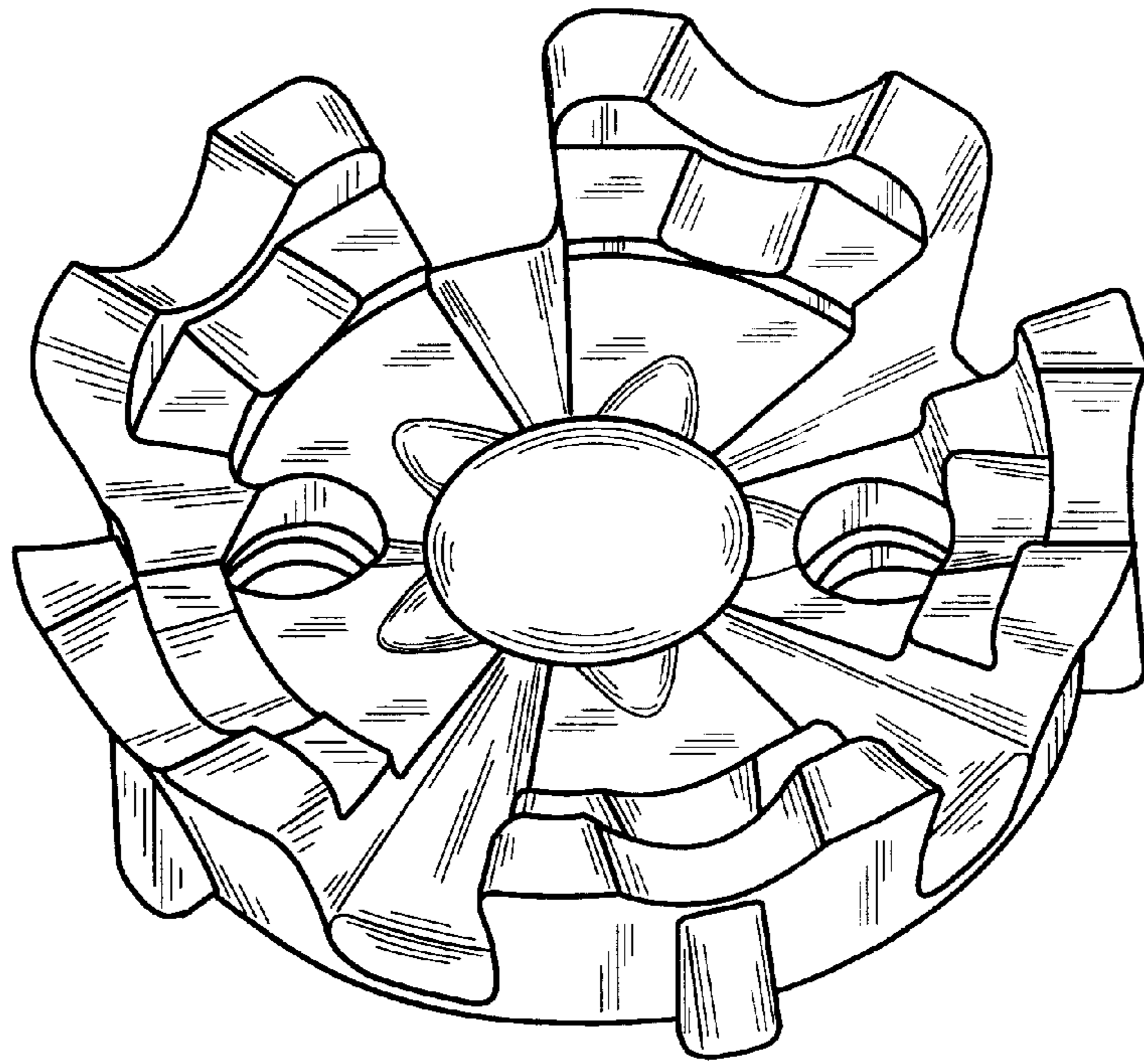


FIG. 1

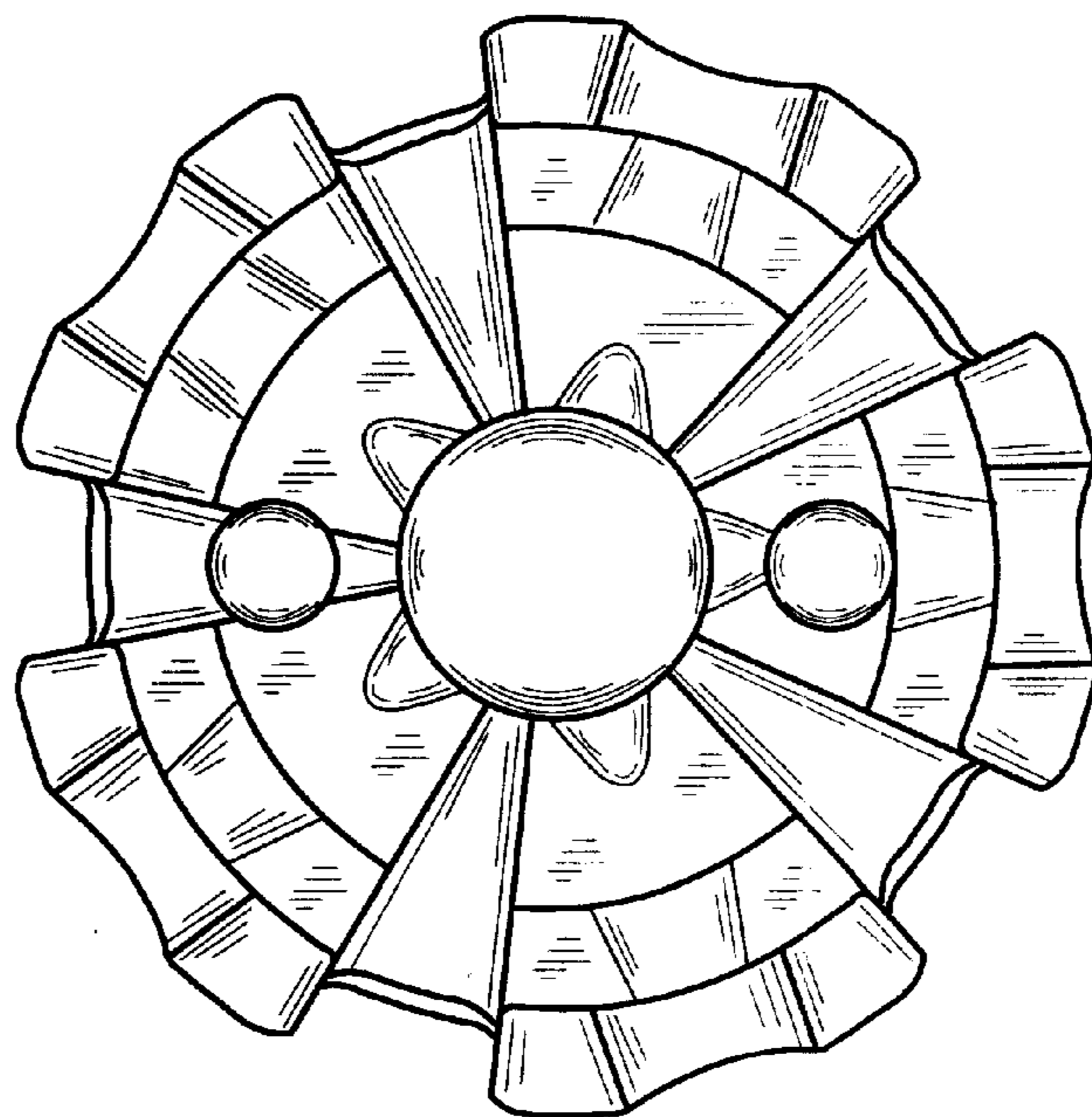


FIG. 2

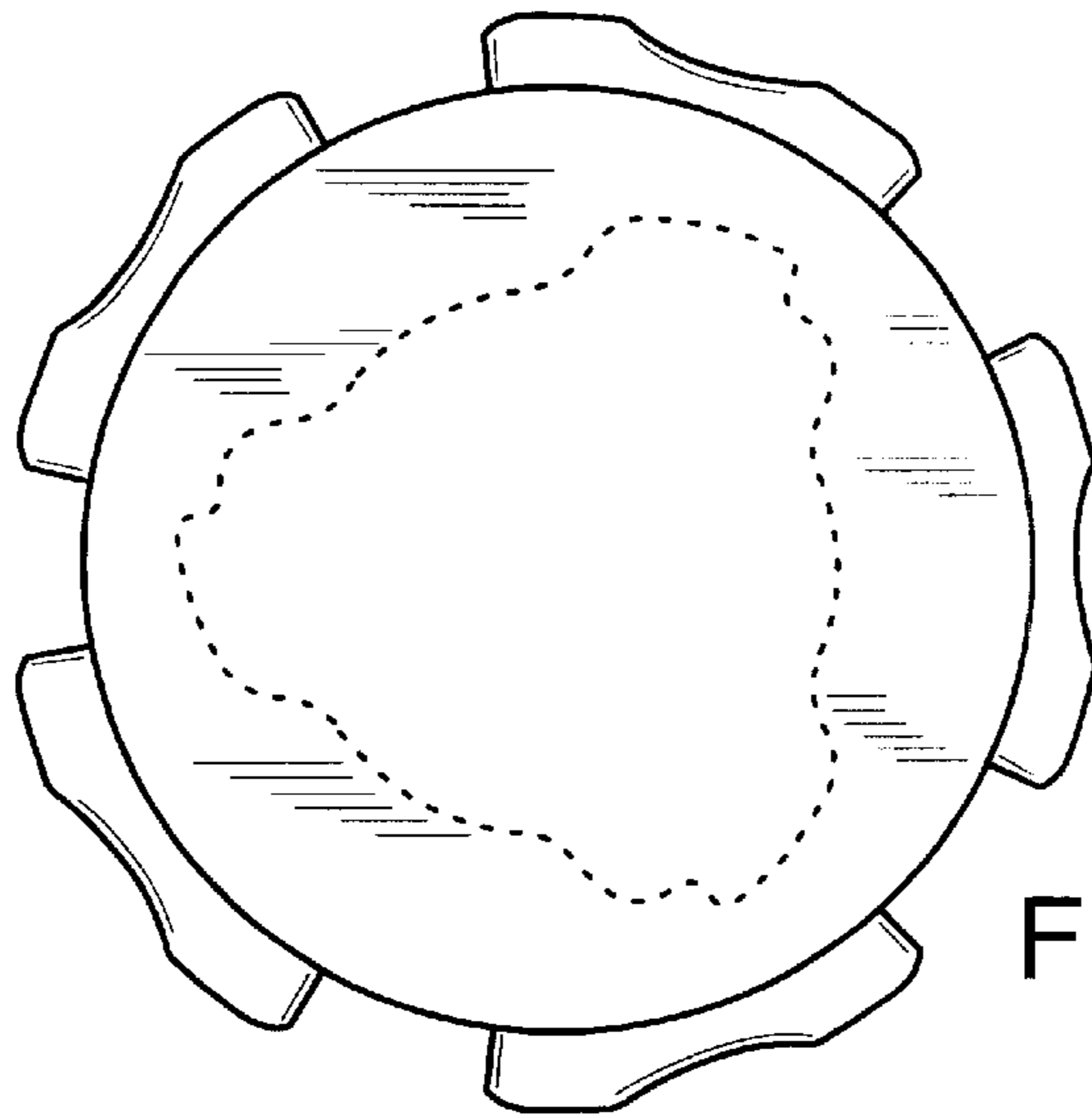


FIG. 3

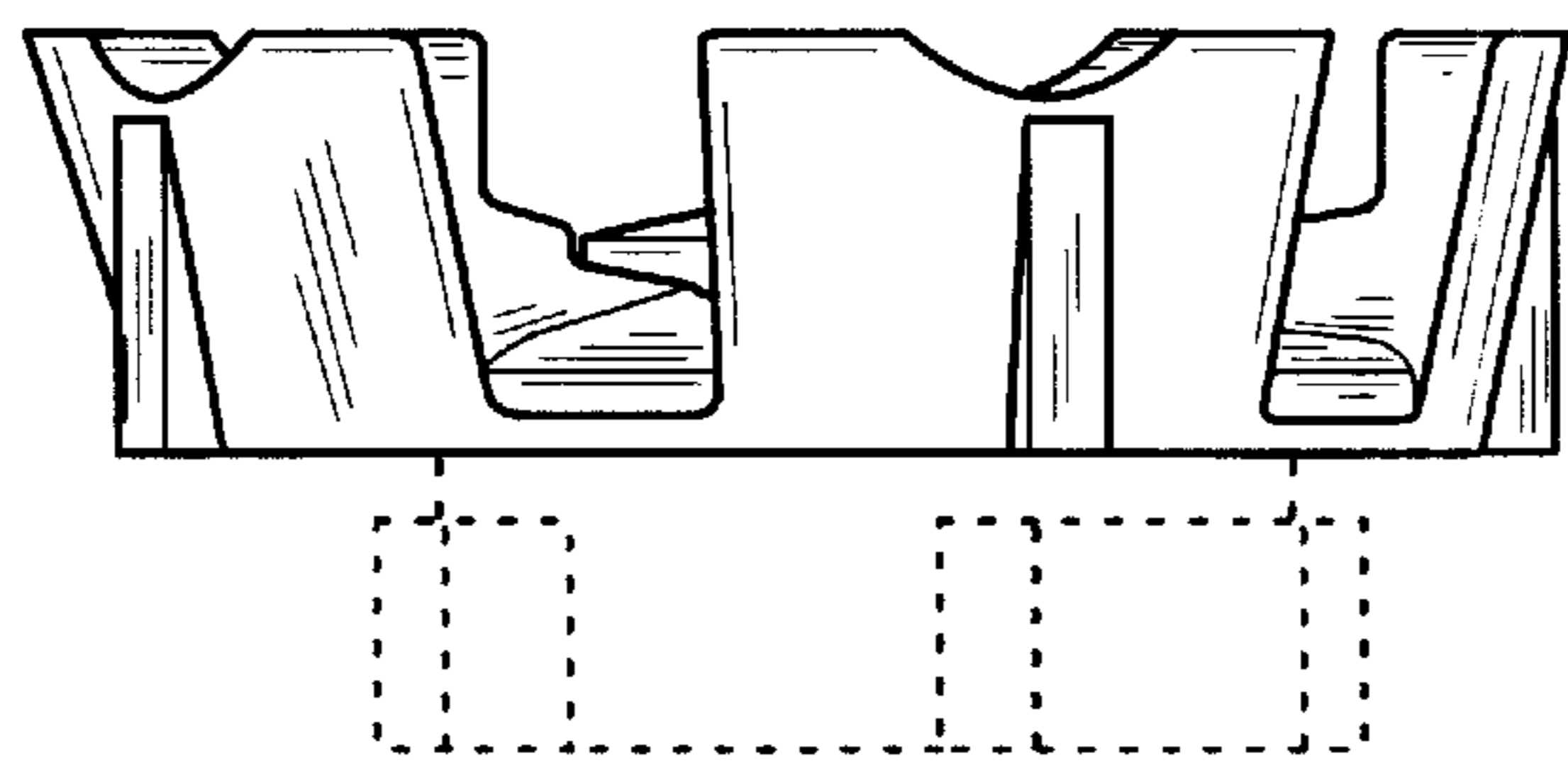


FIG. 4

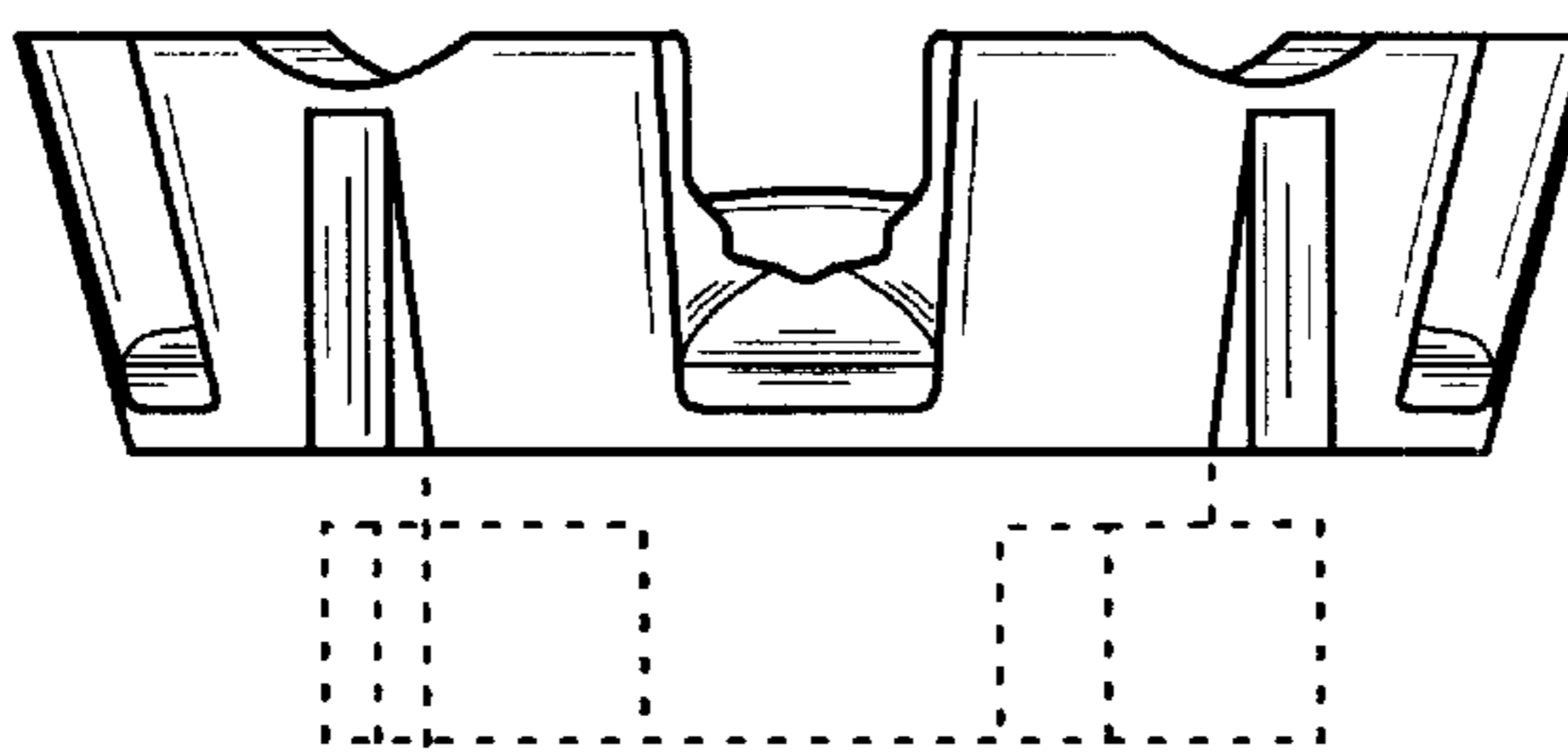


FIG. 5

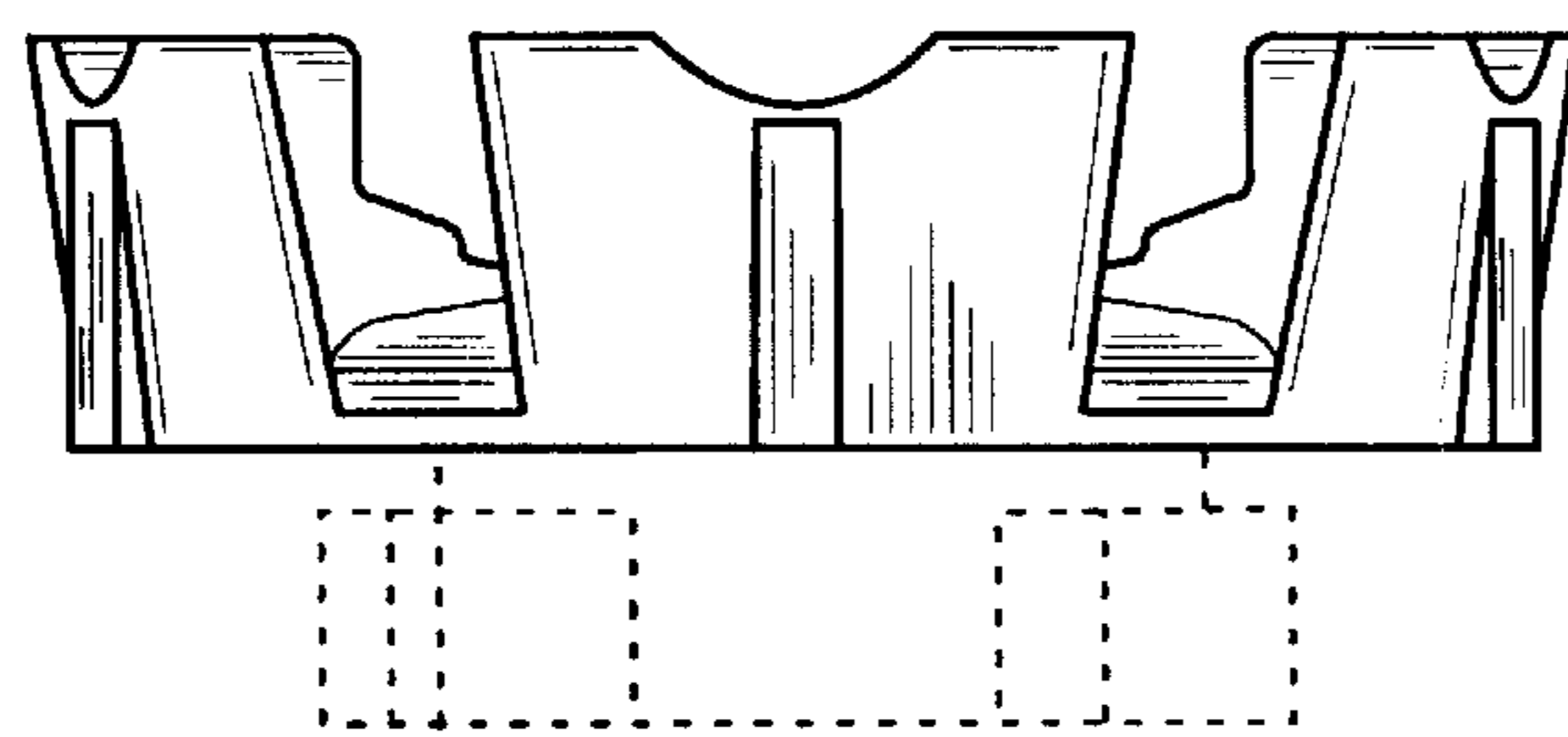


FIG. 6