



US00D457277S

(12) **United States Design Patent**
Poston

(10) **Patent No.:** **US D457,277 S**

(45) **Date of Patent:** **** May 14, 2002**

(54) **TOILET PLUNGER**
(76) Inventor: **Dorothy J. Poston**, 420 47th St., NE.,
Washington, DC (US) 20019
(**) Term: **14 Years**

D404,951 S 2/1999 Zawalsky D6/551
D419,019 S 1/2000 Shafik D6/551
D419,348 S 1/2000 Speceal D6/551
D419,806 S 2/2000 Shafik D6/524
6,038,709 A 3/2000 Kent 4/255.05
D437,463 S * 2/2001 Garay D32/14

(21) Appl. No.: **29/146,394**
(22) Filed: **Aug. 9, 2001**

* cited by examiner

Primary Examiner—Mitchell Siegel
(74) *Attorney, Agent, or Firm*—Kilyk & Bowersox P.L.L.C.

Related U.S. Application Data

(62) Division of application No. 29/128,348, filed on Aug. 23,
2000.
(51) **LOC (7) Cl.** **15-05**
(52) **U.S. Cl.** **D32/14**
(58) **Field of Search** D32/14, 25; D6/524,
D6/551; 206/394, 349, 457, 225; D23/223,
224; 211/85; 4/255.05, 255.11

(57) **CLAIM**

The ornamental design of a cover for a toilet plunger, as
shown and described.

(56) **References Cited**

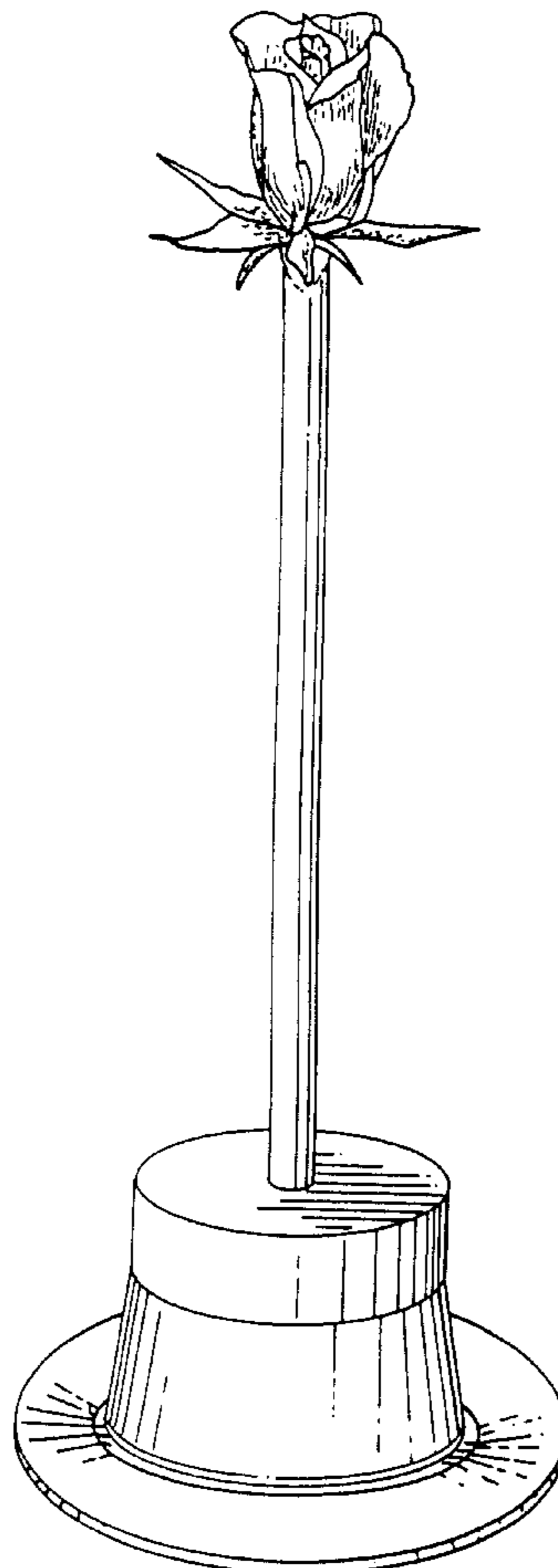
U.S. PATENT DOCUMENTS

D126,990 S 5/1941 Roberts
D238,917 S * 2/1976 Vrignand D6/551
5,456,356 A * 10/1995 Kurzawa 206/349
D383,935 S 9/1997 Zawalsky D6/524

DESCRIPTION

FIG. 1 is a perspective view of a cover for a toilet plunger
of the present invention;
FIG. 2 is an exploded perspective view thereof;
FIG. 3 is a top plan view of a second embodiment of the
cover for a toilet plunger as disclosed in FIG. 1;
FIG. 4 is an exploded perspective view of FIG. 3, the broken
away section is show for ease of illustration; and,
FIG. 5 is a cross sectional view of a third embodiment of the
cover for a toilet plunger as disclosed in FIG. 1.

1 Claim, 4 Drawing Sheets



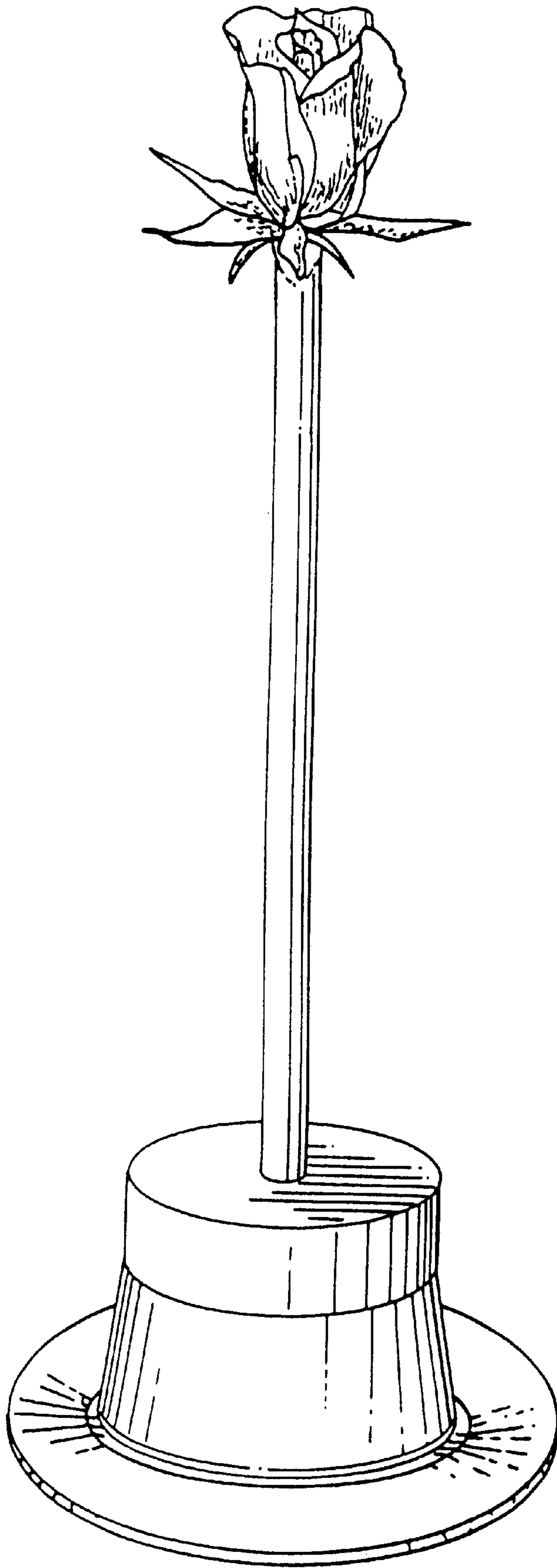


Fig. 1

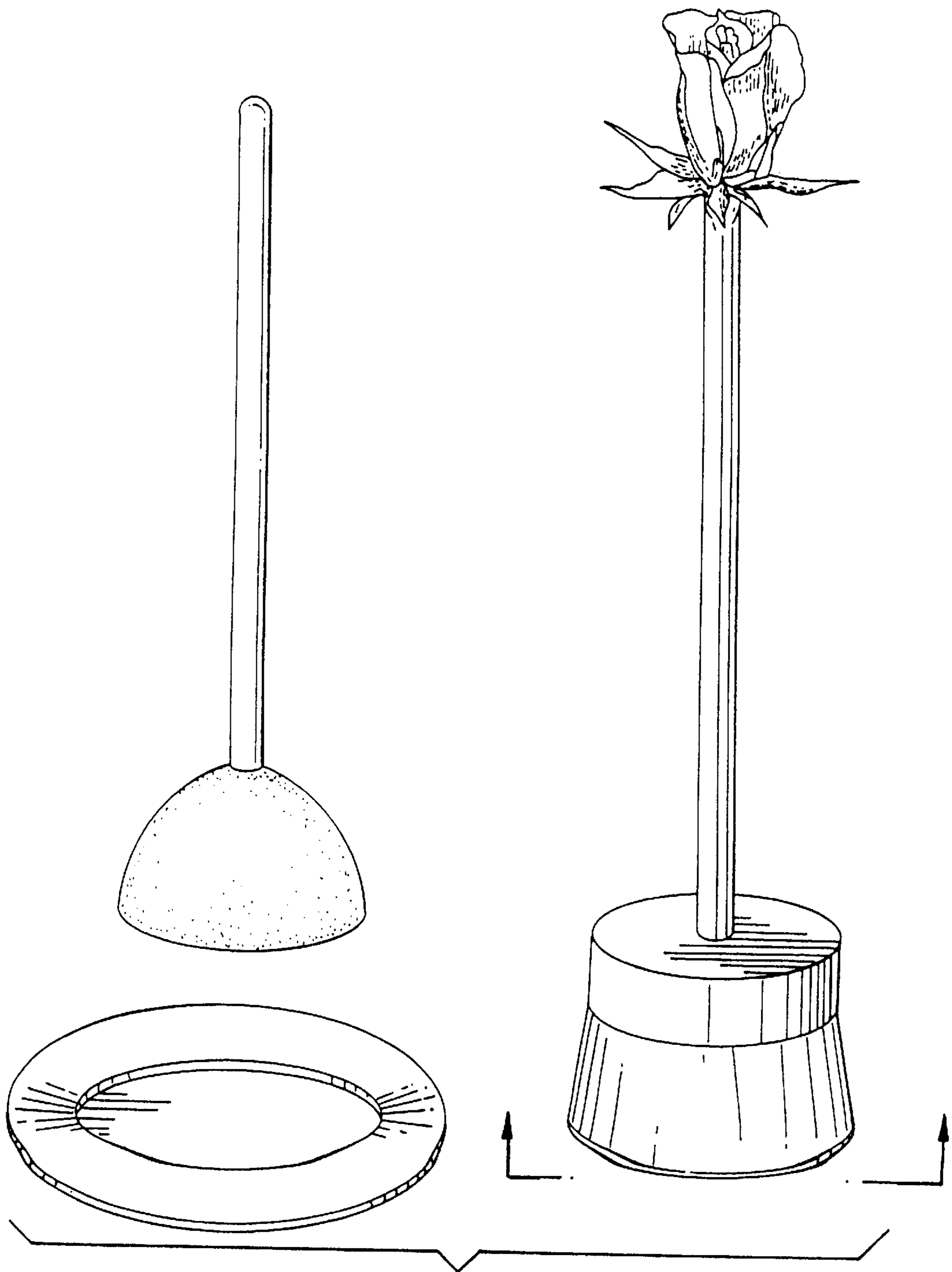


Fig. 2

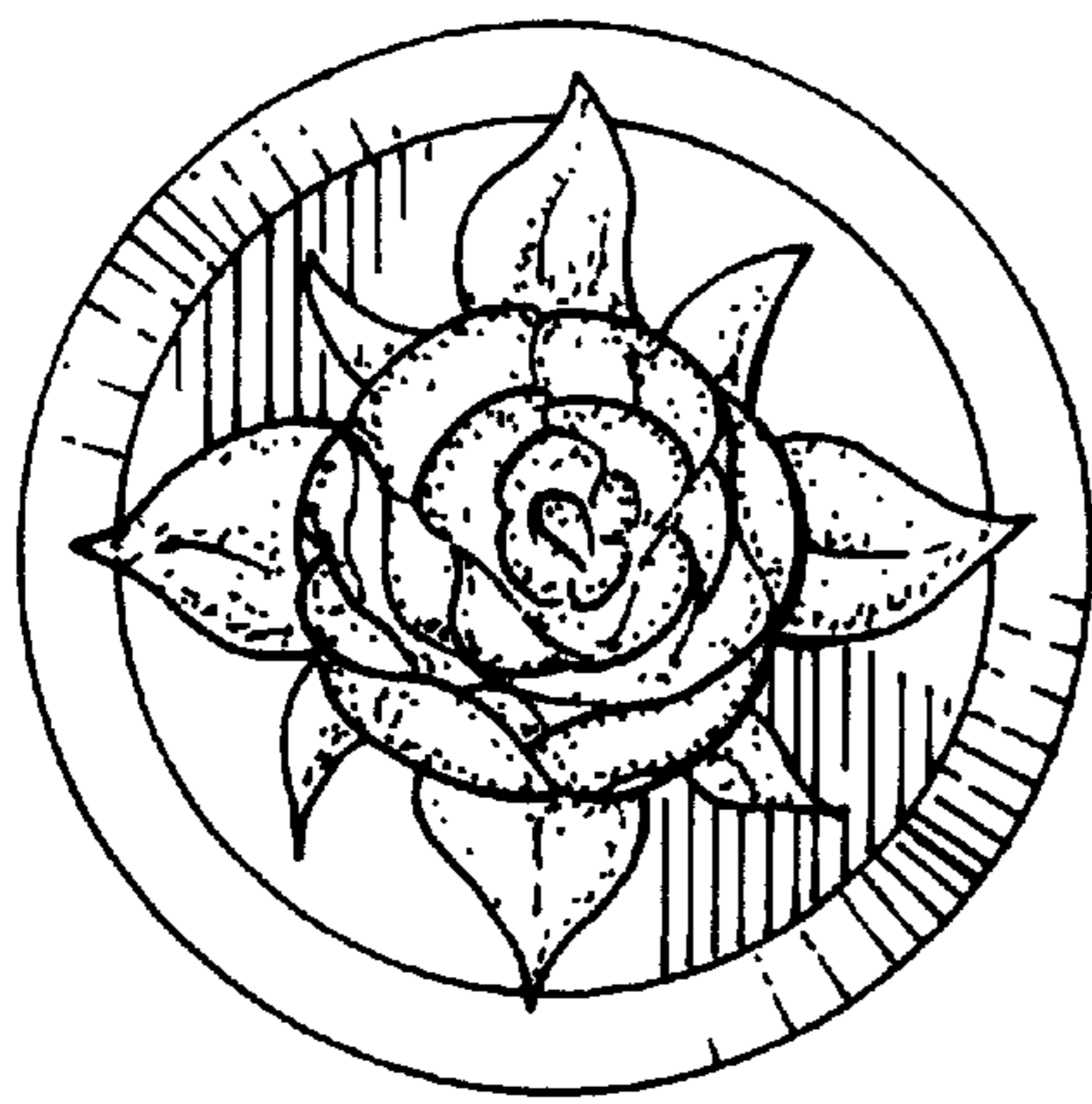


Fig. 3

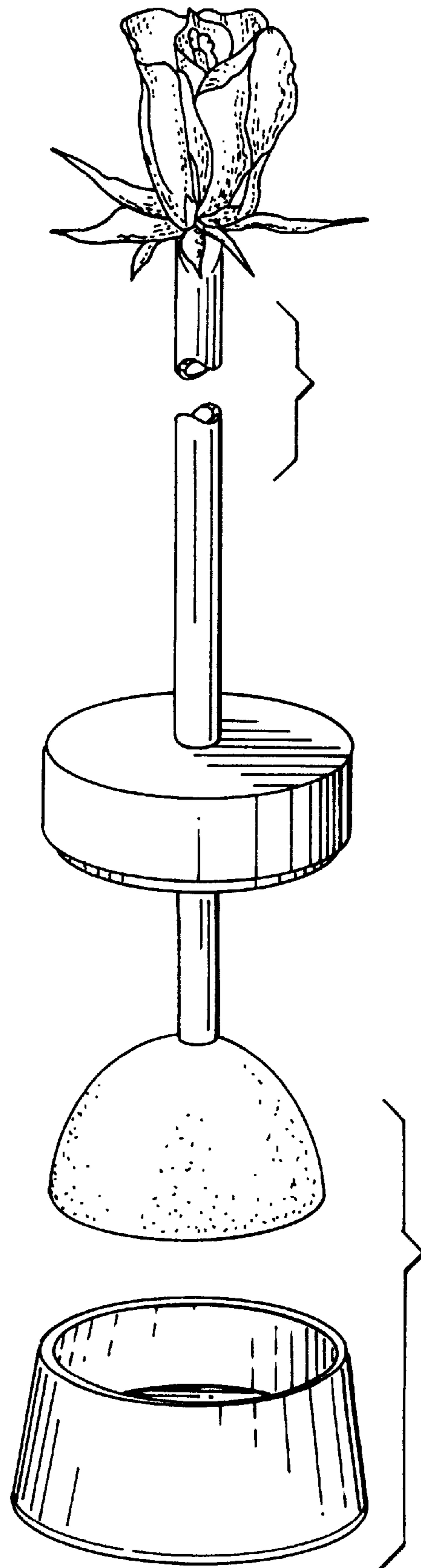


Fig. 4

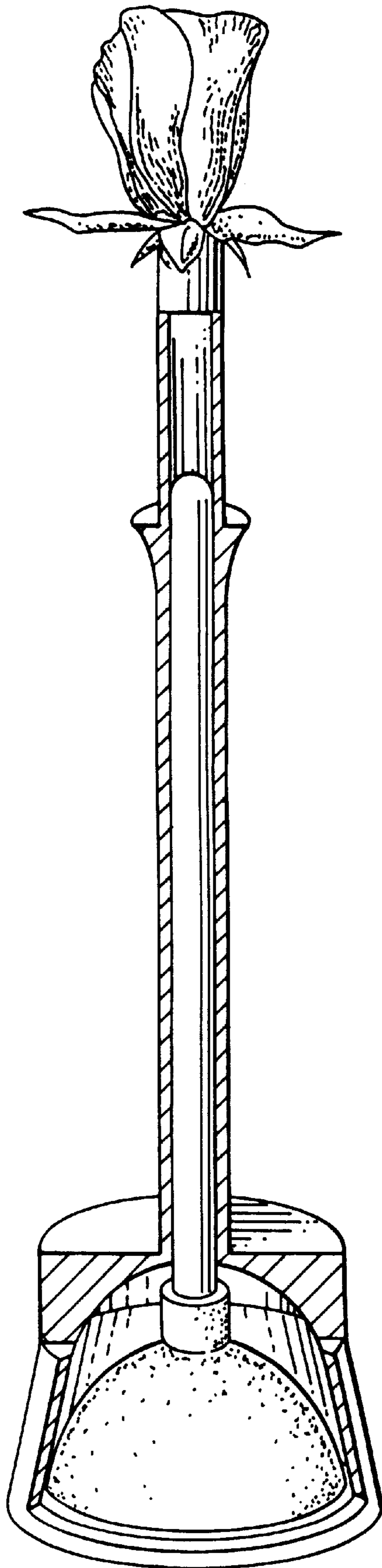


Fig. 5