



US00D457275S

(12) **United States Design Patent**
Skurdalsvold et al.

(10) **Patent No.:** **US D457,275 S**

(45) **Date of Patent:** **** May 14, 2002**

(54) **PET FOOD DISPENSER**

(75) Inventors: **Scott A. Skurdalsvold**, Arlington;
Ralph VanSkiver, Manchester, both of
TX (US)

(73) Assignee: **Doskocil Manufacturing Company,**
Inc., Arlington, TX (US)

(**) Term: **14 Years**

(21) Appl. No.: **29/142,922**

(22) Filed: **Jun. 5, 2001**

(51) **LOC (7) Cl.** **30-07**

(52) **U.S. Cl.** **D30/121**

(58) **Field of Search** D30/121, 122,
D30/129-133; 119/51.5, 52.1, 54, 61, 72,
74, 75

(56) **References Cited**

U.S. PATENT DOCUMENTS

- 3,720,184 A * 3/1973 Pearce 119/51.5
- 4,721,063 A 1/1988 Atchley
- D330,098 S 10/1992 VanSkiver
- 5,259,336 A 11/1993 Clark
- D350,841 S 9/1994 VanSkiver
- D350,842 S 9/1994 VanSkiver
- D351,689 S 10/1994 Van Skiver
- 5,467,735 A 11/1995 Chrisco
- D364,942 S 12/1995 VanSkiver et al.
- D374,109 S 9/1996 Lillelund et al.
- D402,428 S 12/1998 Chrisco
- 5,845,600 A 12/1998 Mendes

- D405,560 S 2/1999 Chrisco
- D406,924 S 3/1999 Kolozsvari
- D406,926 S 3/1999 Kolozsvari
- D432,279 S 10/2000 Kim
- 6,142,099 A * 11/2000 Lange, Jr. 119/51.5

OTHER PUBLICATIONS

Photographs. Pet Feeder/Waterer (Pet Mate); Doskocil Mfg. Co., Inc. (2 sheets); date unknown.

Photographs. Pet Feeder/Waterer (Gourmet); Blitz USA, Inc. (2 sheets); date unknown.

Photographs. Photographs. Pet Feeder/Waterer (Auto); Van Ness (2 sheets); date unknown.

* cited by examiner

Primary Examiner—Pamela Burgess

(74) *Attorney, Agent, or Firm*—Locke Liddell & Sapp LLP

(57) **CLAIM**

The ornamental design for a pet food dispenser, as shown and described.

DESCRIPTION

FIG. 1 is a front perspective view of a pet food dispenser showing our new design;
FIG. 2 is a front elevational view thereof;
FIG. 3 is a rear elevational view thereof;
FIG. 4 is a top plan view thereof;
FIG. 5 is a left side elevational view thereof, the right side elevational view being identical thereto; and,
FIG. 6 is a bottom plan view thereof.

1 Claim, 2 Drawing Sheets

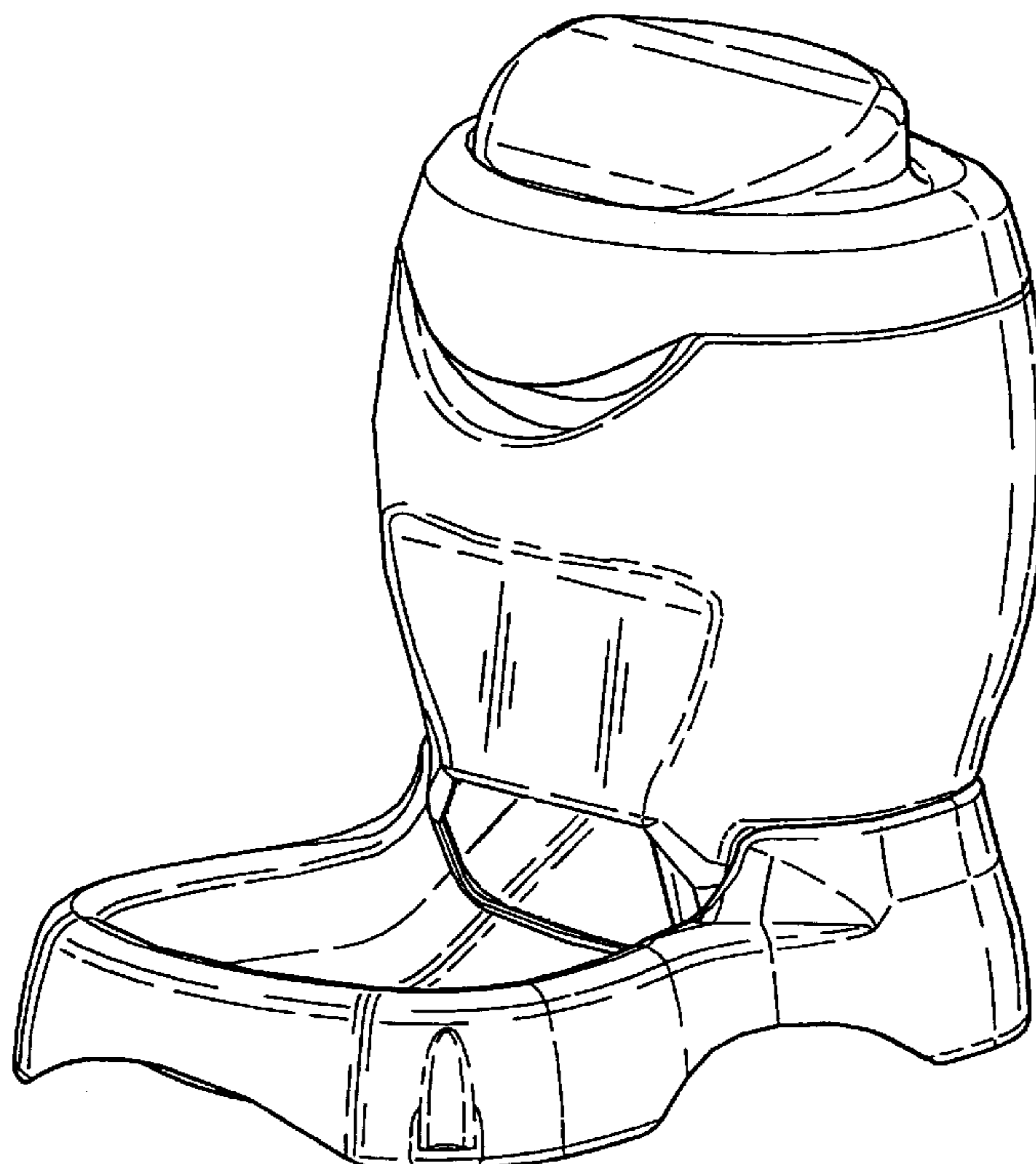


FIG. 1

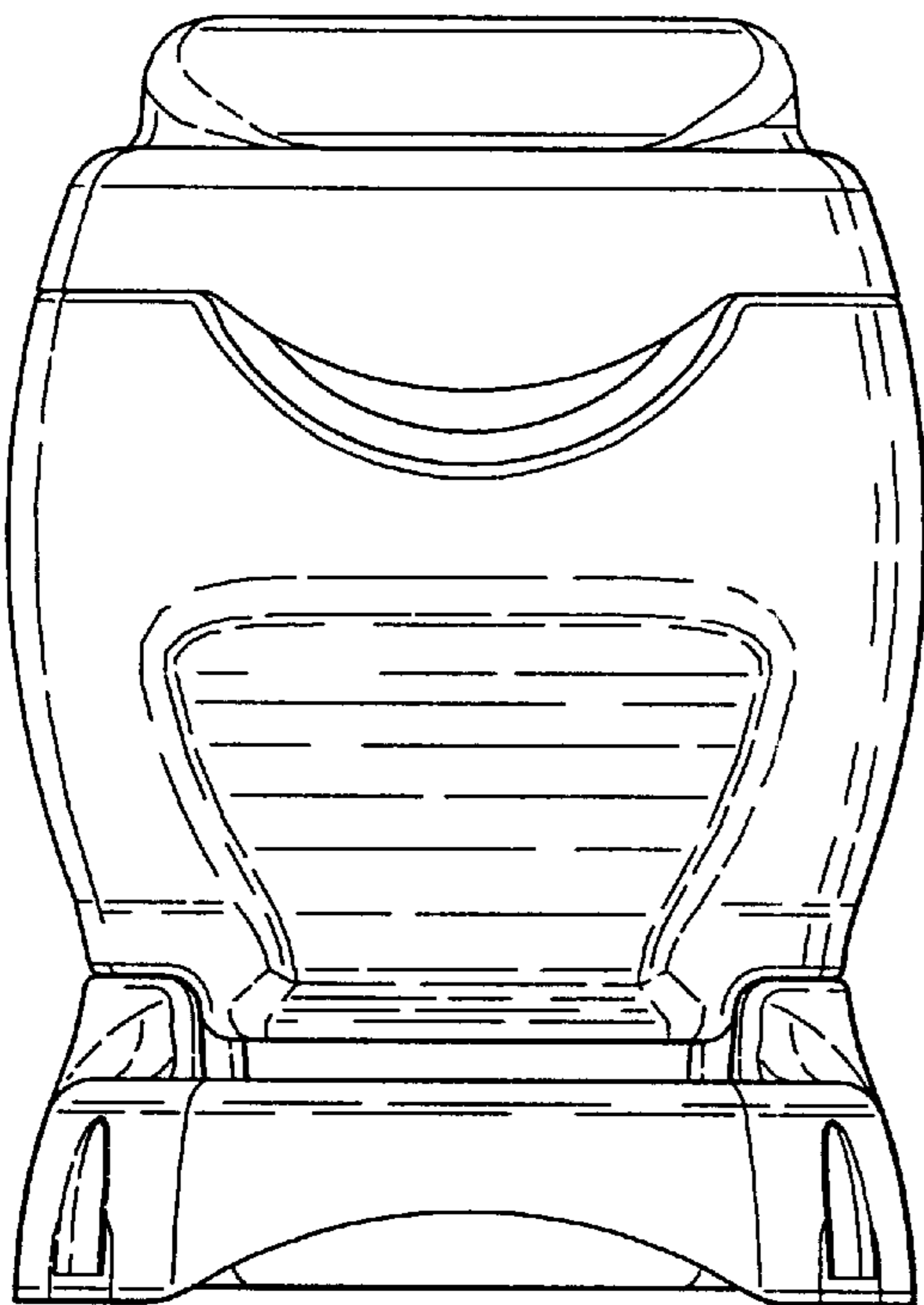
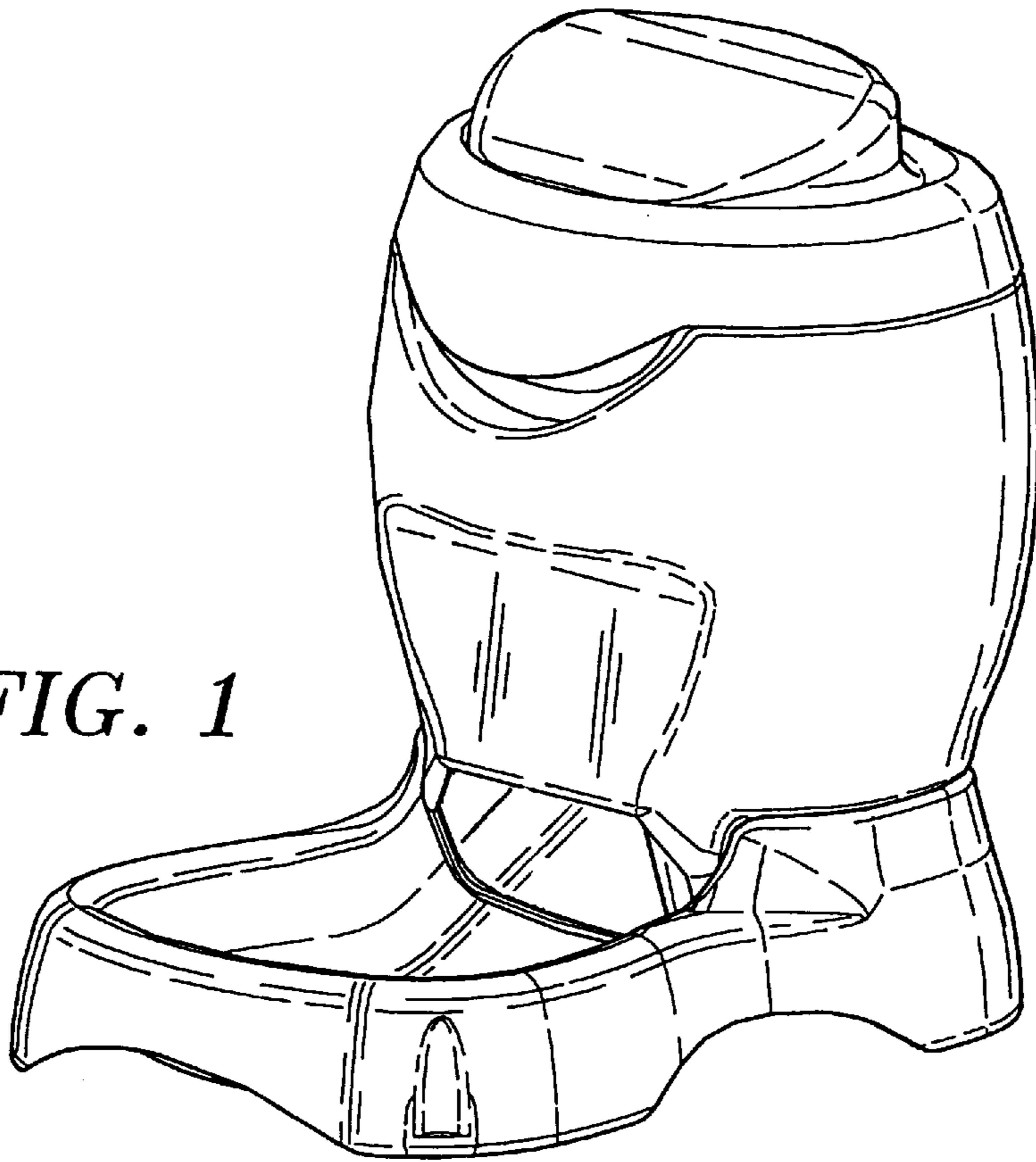


FIG. 2

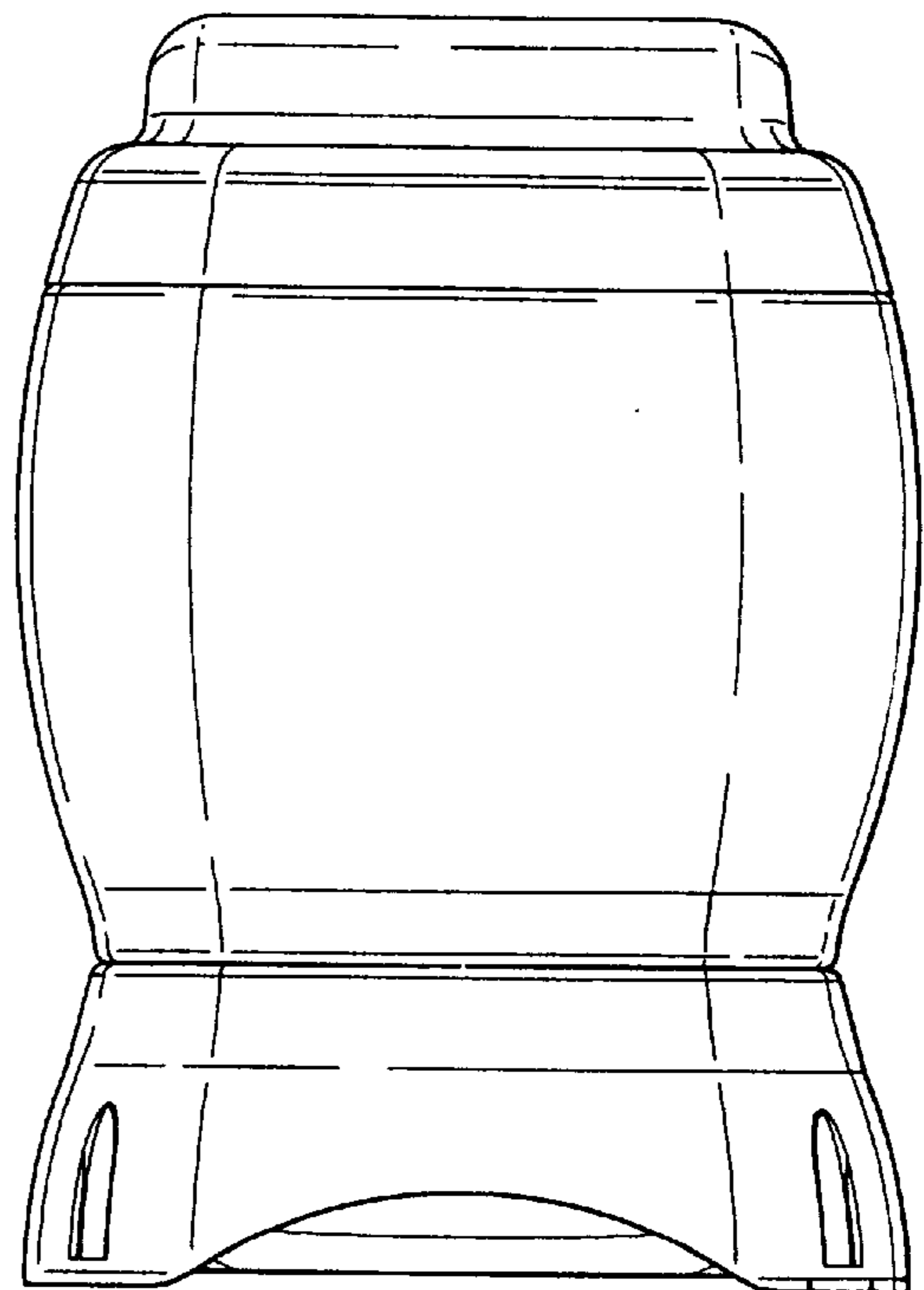


FIG. 3

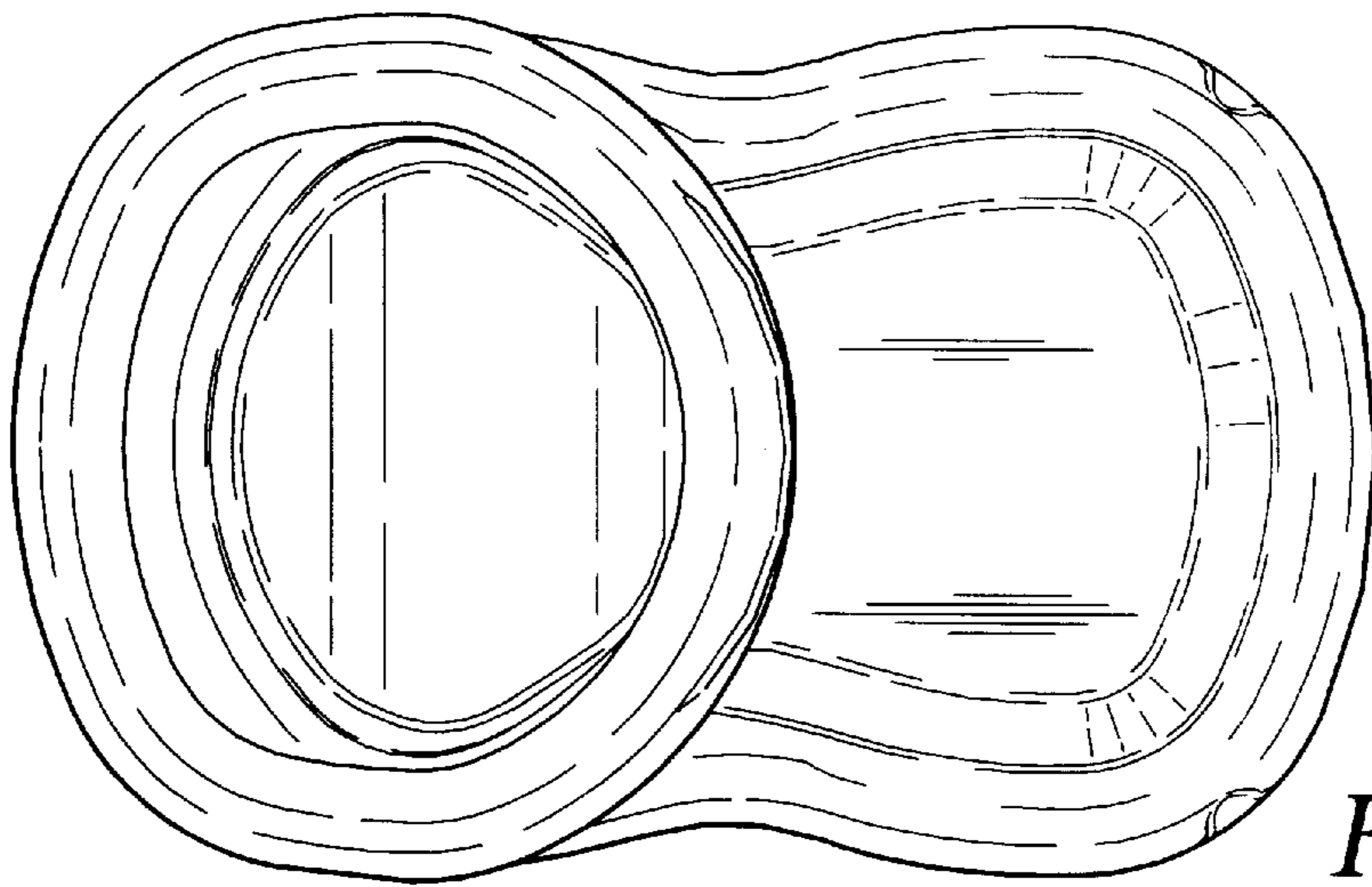


FIG. 4

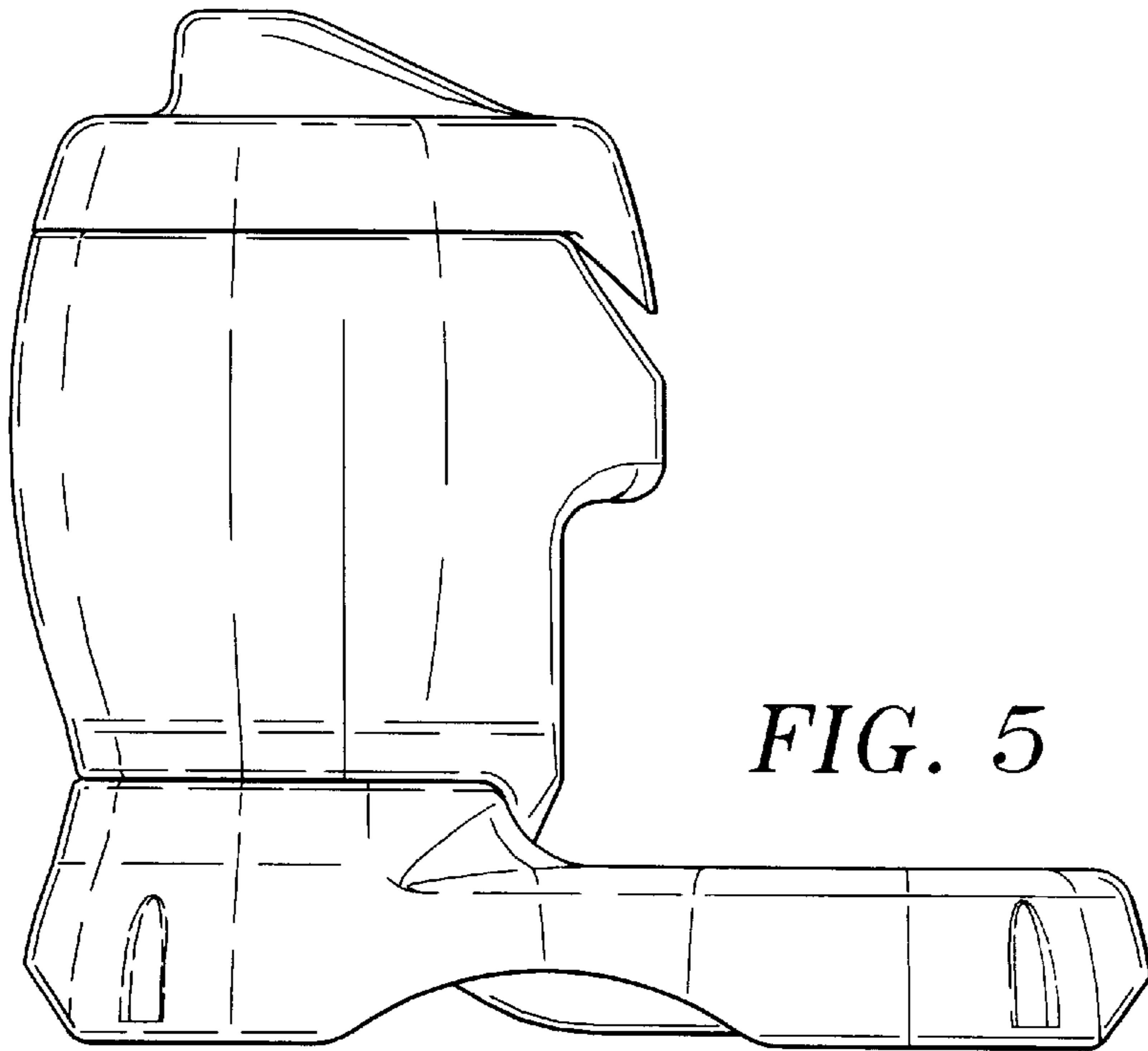


FIG. 5

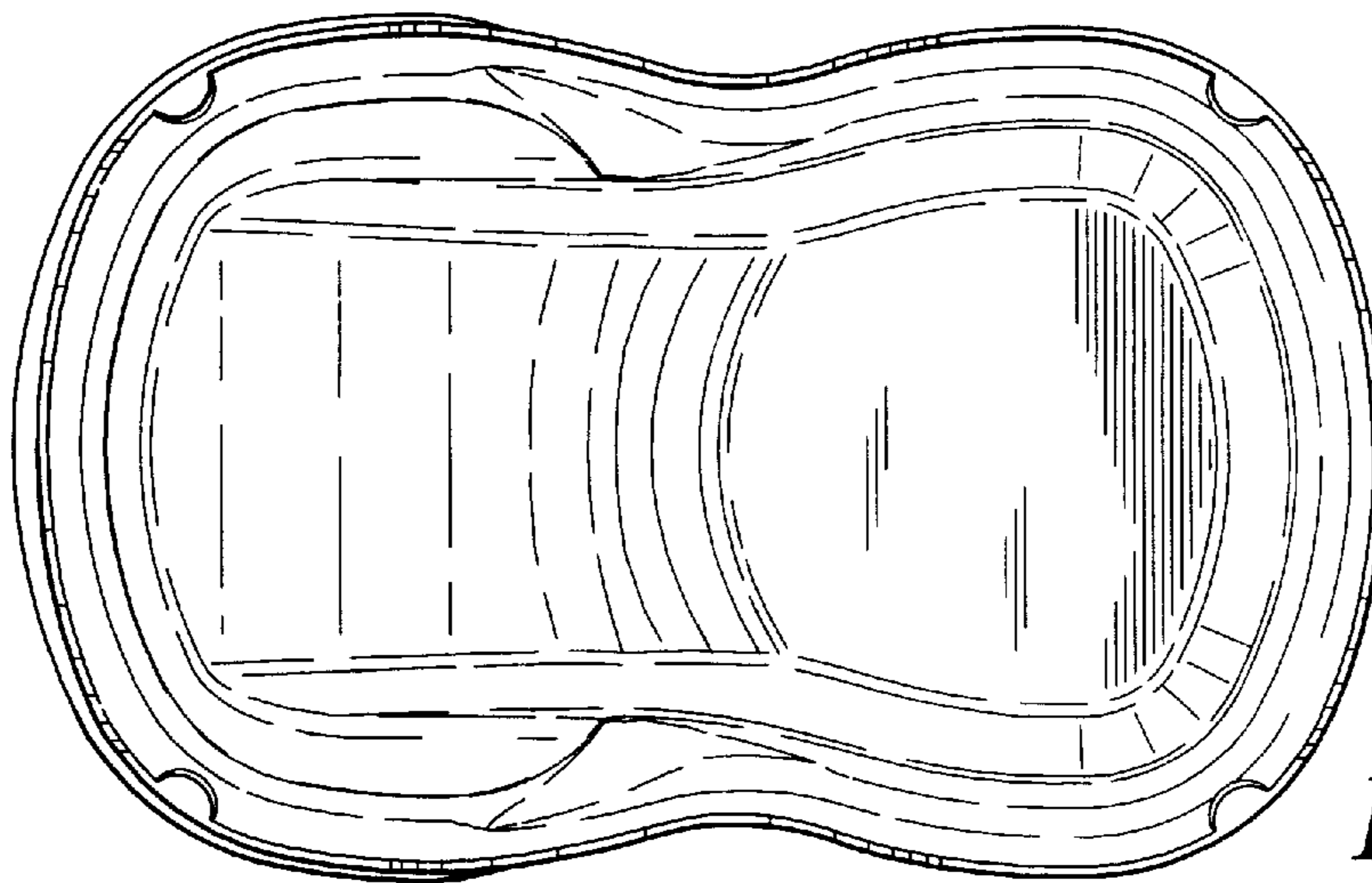


FIG. 6