



US00D457272S

(12) **United States Design Patent**
Weinberg

(10) **Patent No.:** **US D457,272 S**

(45) **Date of Patent:** **** May 14, 2002**

(54) **TRAVEL SOAP DISH CONTAINER**

(76) **Inventor:** **David Weinberg**, P.O. Box 664,
Wilmette, IL (US) 60091

(**) **Term:** **14 Years**

(21) **Appl. No.:** **29/140,081**

(22) **Filed:** **Apr. 11, 2001**

(51) **LOC (7) Cl.** **28-03**

(52) **U.S. Cl.** **D28/73; D28/76**

(58) **Field of Search** D28/73, 76-84,
D28/99; D9/420, 423, 424; D3/201, 203,
205, 273, 294, 274, 901; D19/75, 77; D6/536;
206/77.1, 581, 823, 235, 83, 37, 38, 811;
132/286, 289, 290, 293-307; 220/281, 283,
780, 791, 793, 794, 315, 324, 326, 833,
834

(56) **References Cited**

U.S. PATENT DOCUMENTS

| | | | |
|---------------|---------|----------|-----------|
| 553,467 A | 1/1896 | Huebel | |
| 570,666 A | 11/1896 | Huebel | |
| 1,085,022 A | 1/1914 | Condit | |
| D46,973 S | 2/1915 | Shepard | |
| D68,538 S | 10/1925 | Moineau | |
| D121,813 S | 8/1940 | Isenberg | |
| 2,356,056 A | 8/1944 | Hogg | |
| 3,426,890 A * | 2/1969 | Bayer | 206/379 |
| D218,329 S * | 8/1970 | Weaver | D28/76 |
| D252,914 S * | 9/1979 | Wang | D9/224 |
| D257,790 S * | 1/1981 | Kesling | D9/424 X |
| 4,588,075 A | 5/1986 | Rupp | 206/77.1 |
| 4,858,757 A | 8/1989 | Liggett | 206/77.1 |
| 4,934,640 A | 6/1990 | Bichon | 248/206.2 |
| D327,596 S | 7/1992 | Emery | D6/537 |
| 5,279,412 A | 1/1994 | Lee | 206/77.1 |

| | | | |
|---------------|---------|-------------------|----------|
| D343,768 S * | 2/1994 | Cautereels et al. | D7/629 |
| D349,207 S * | 8/1994 | Wolff | D6/536 |
| D380,919 S | 7/1997 | Goodman et al. | D6/537 |
| D395,754 S * | 7/1998 | Sautter et al. | D3/294 |
| D395,952 S * | 7/1998 | Buczynski et al. | D3/94 |
| 5,848,719 A * | 12/1998 | Goldenberg | 220/326 |
| D421,902 S * | 3/2000 | Hill | D9/423 |
| 6,152,294 A | 11/2000 | Weinberg | 206/77.1 |
| D449,165 S * | 10/2001 | Van Der Hulst | D3/294 |

* cited by examiner

Primary Examiner—Ted Shooman

Assistant Examiner—C Tuttle

(74) *Attorney, Agent, or Firm*—Wallenstein & Wagner, Ltd.

(57) **CLAIM**

I claim the ornamental design for a travel soap dish container, as shown and described.

DESCRIPTION

FIG. 1 is a perspective view of a soap dish container according to the new design;

FIG. 2 is a side view of the soap dish container shown in FIG. 1, the opposite side view being substantially identical thereto;

FIG. 3 is a top view of the soap dish container shown in FIG. 1;

FIG. 4 is a bottom view of the soap dish container shown in FIG. 1;

FIG. 5 is a front view of the soap dish container shown in FIG. 1; and,

FIG. 6 is a back view of the soap dish container shown in FIG. 1.

The broken lines showing the hinge structures are for illustrative purposes only; and form no part of the claimed design.

1 Claim, 2 Drawing Sheets

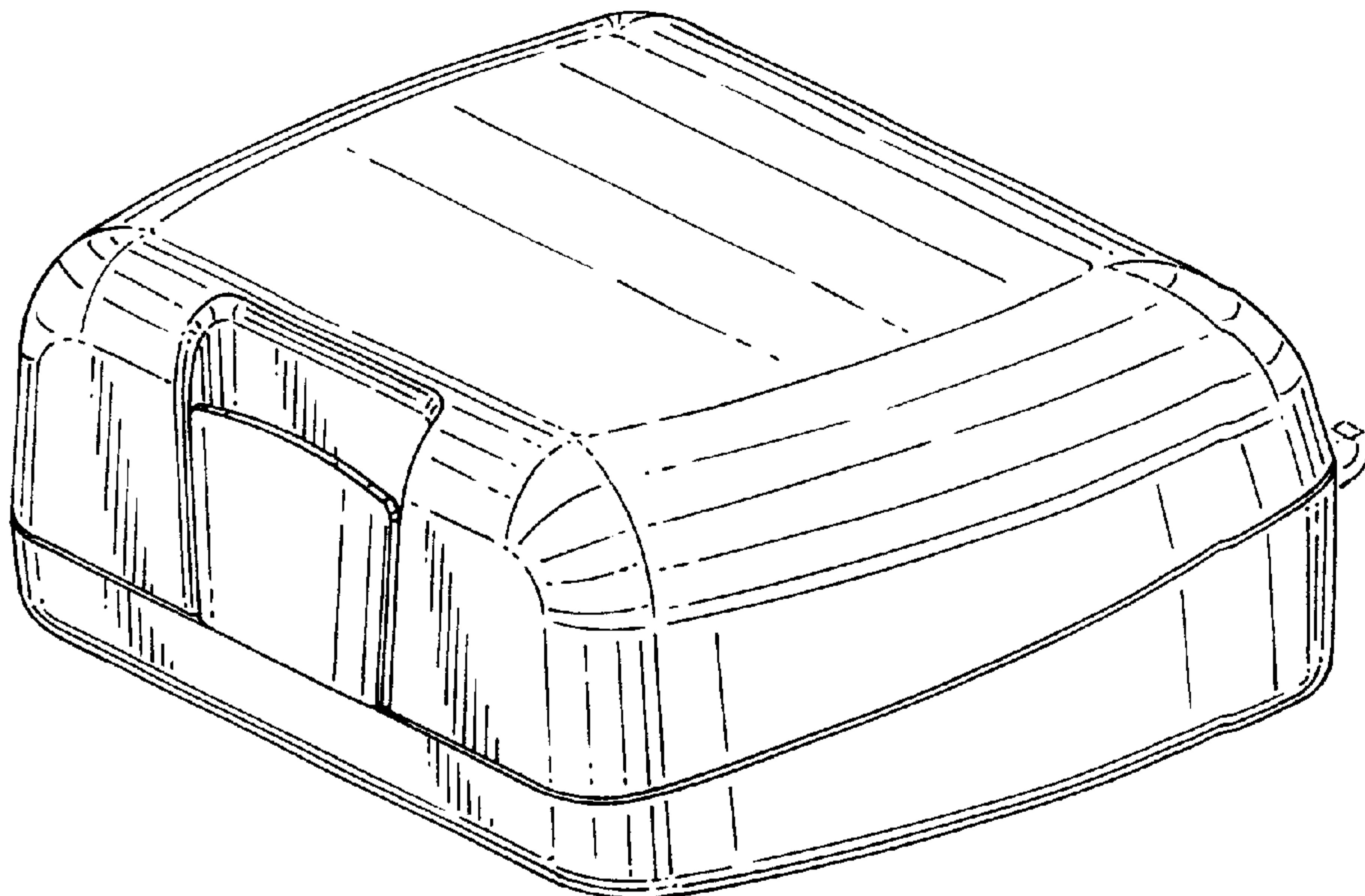


FIG. 1

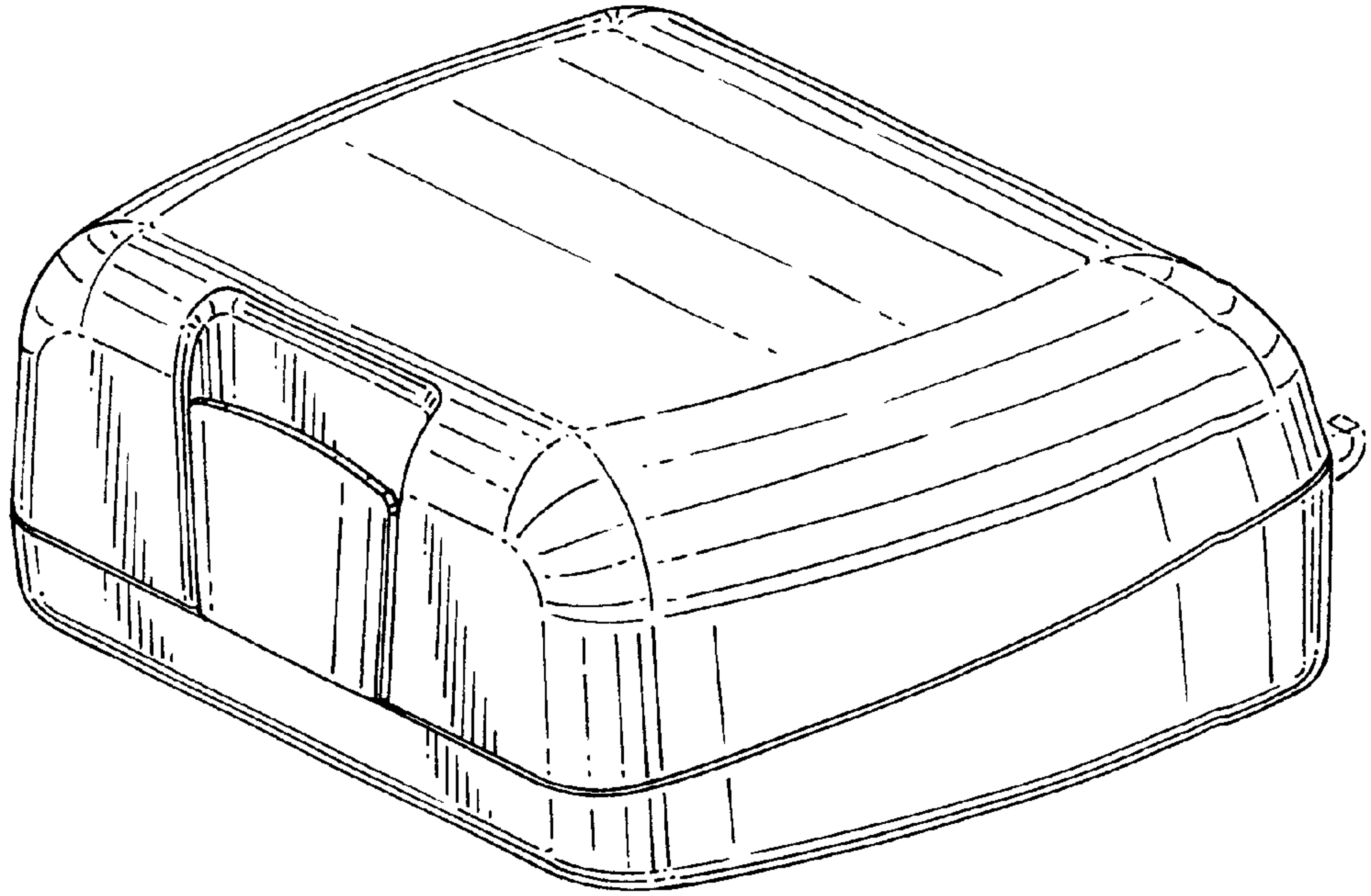
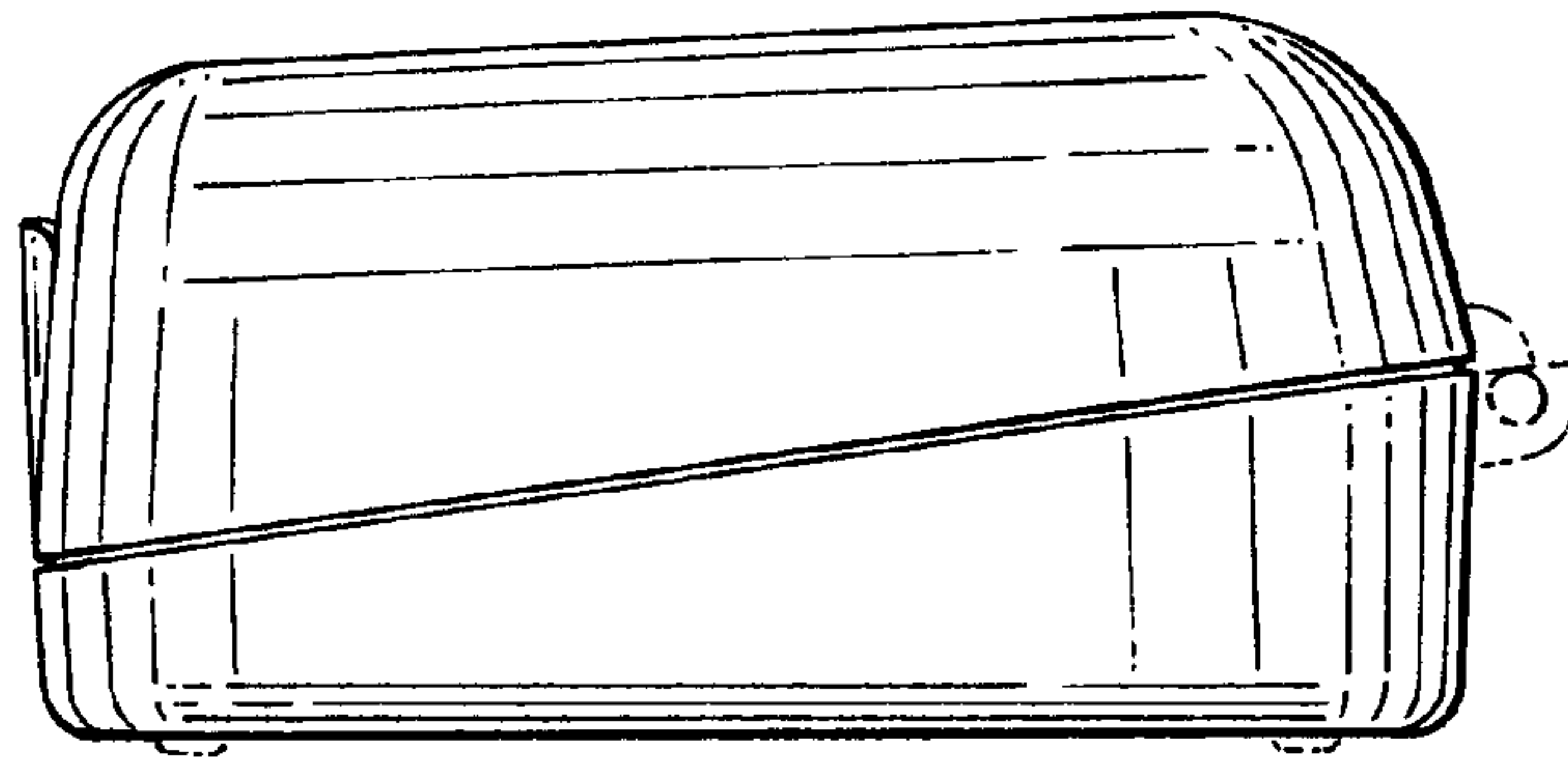


FIG. 2



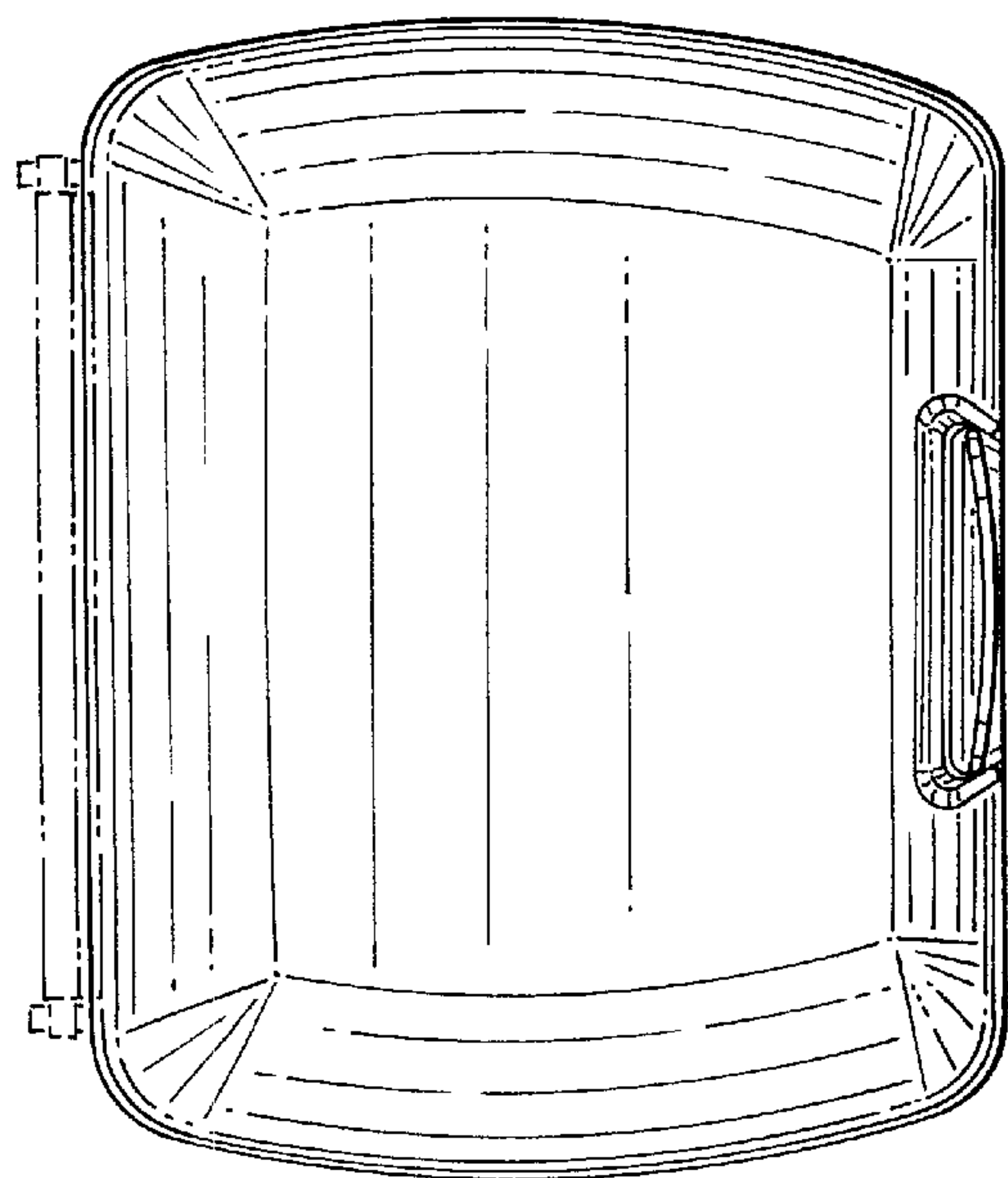


FIG. 3

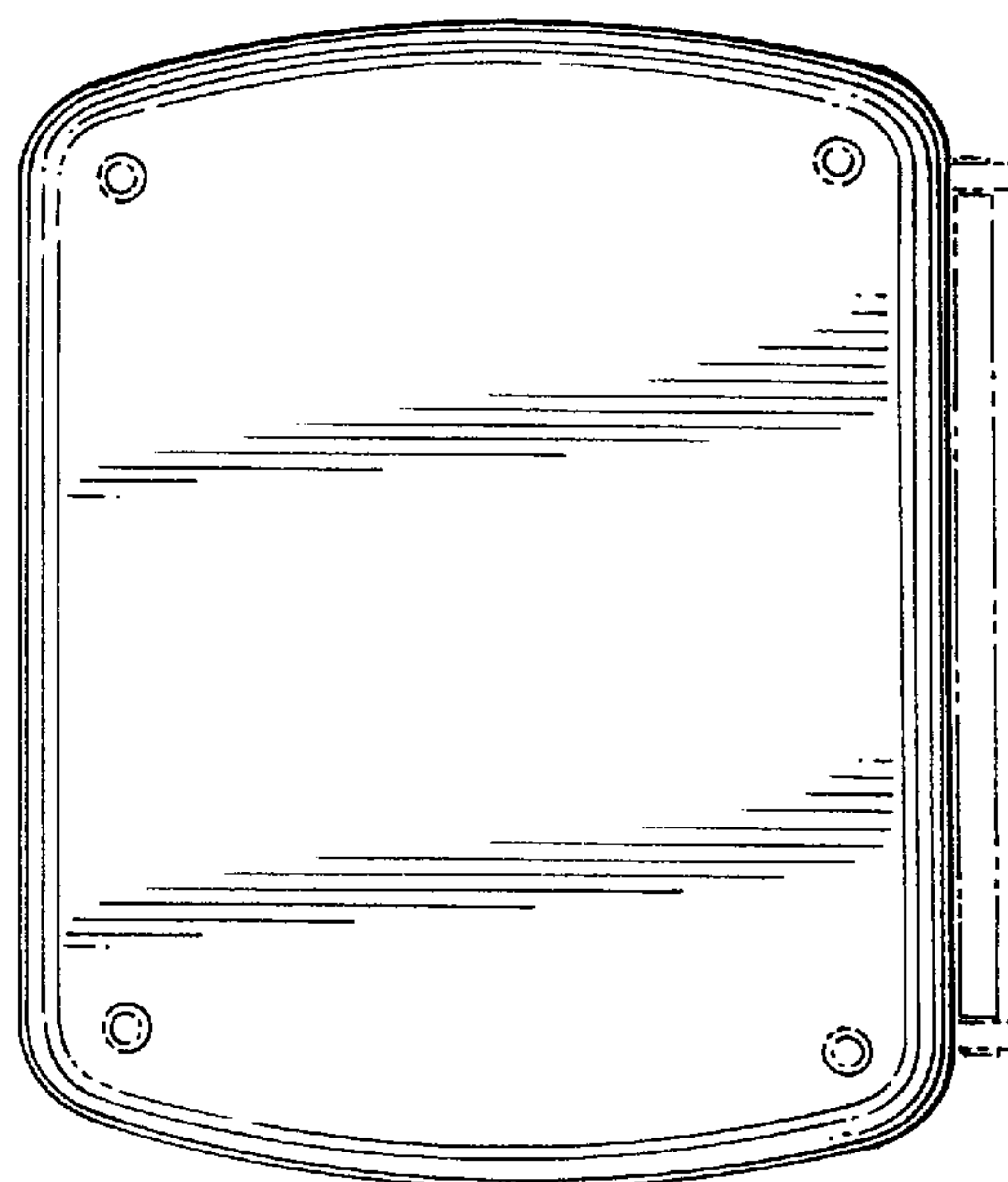


FIG. 4

FIG. 5

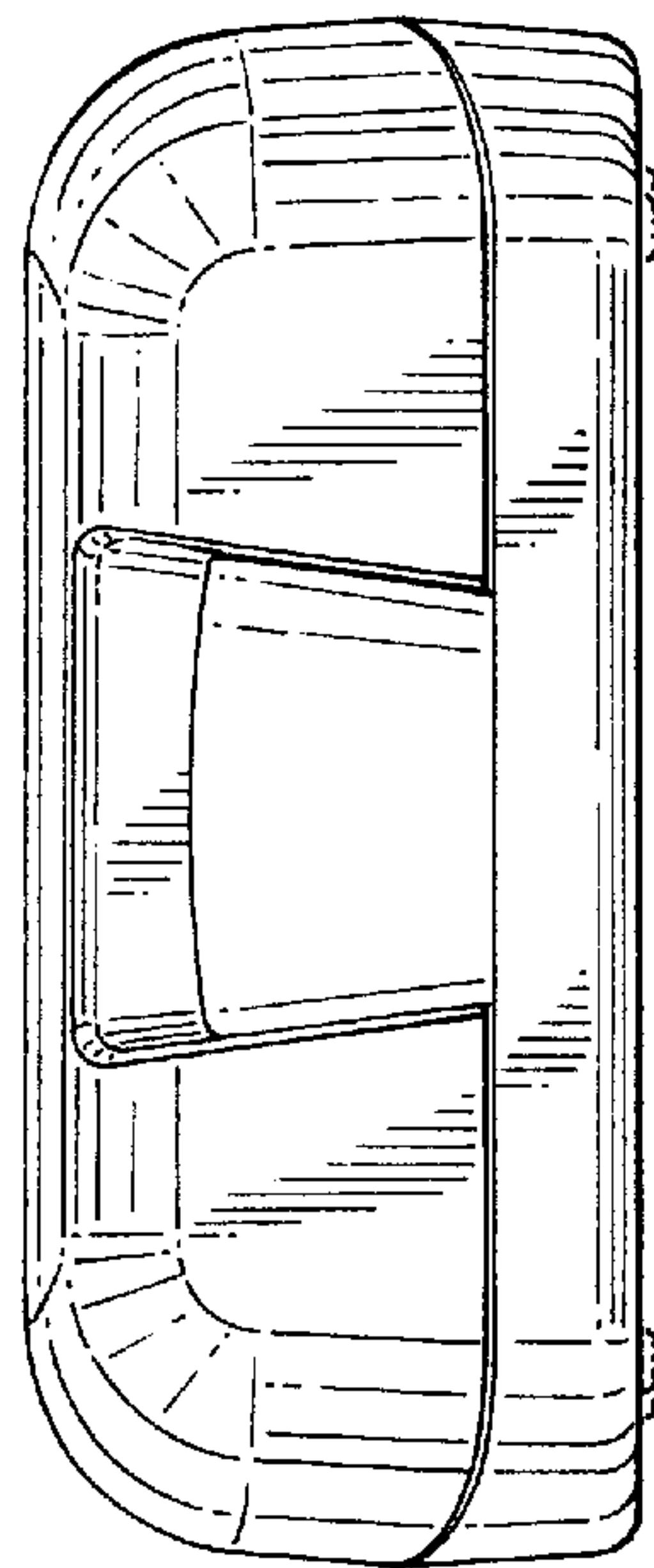


FIG. 6

