



US00D457271S

(12) **United States Design Patent**
Jackson

(10) **Patent No.:** **US D457,271 S**

(45) **Date of Patent:** **** May 14, 2002**

(54) **HAIR BAND HOLDER**

(76) **Inventor:** **Nina J Jackson**, 1637 W. Alamosa Dr.,
Terrell, TX (US) 75160

(**) **Term:** **14 Years**

(21) **Appl. No.:** **29/133,599**

(22) **Filed:** **Dec. 1, 2000**

(51) **LOC (7) Cl.** **28-03**

(52) **U.S. Cl.** **D28/73; D6/455**

(58) **Field of Search** D3/20, 21, 23-26;
D6/329, 396, 407, 449, 453, 455, 458,
462, 495, 497, 499, 518-523; D7/589,
601, 602, 628, 388; D8/349, 354, 356,
358, 360, 360.1, 373, 376; D19/75; D20/41;
D21/304; D28/73-75, 93, 99; 223/106,
108, 120; 206/225, 296, 298, 574-575,
579, 581, 823, 303, 49, 389, 392, 391,
394, 493, 457; 211/85.3, 85.4, 85.5, 85.7,
33, 40, 49.1, 54.1, 57.1, 59.1; 248/121,
176.1, 309.1, 309.2; 242/127, 129, 130,
130.2, 130.3, 130.4, 131, 129.5, 129.71,
134, 137-139, 146, 597, 597.5, 597.7

(56) **References Cited**

U.S. PATENT DOCUMENTS

D46,078 S * 7/1914 Wardell D8/360
1,548,717 A * 5/1925 Hall 248/121
2,063,393 A * 12/1936 McIver 211/49.1
2,491,585 A * 12/1949 Sammons 242/141
2,548,561 A 4/1951 Sewol
3,275,133 A 9/1966 Wood
4,273,392 A 6/1981 Stinson
5,269,407 A * 12/1993 Hall 206/225

D355,974 S 2/1995 Jahn
D357,584 S 4/1995 Swingler
D365,474 S * 12/1995 Coates D6/497
D373,918 S * 9/1996 Joergensen D6/521
5,613,848 A * 3/1997 Hashimoto et al. .. 248/309.1 X
5,634,560 A 6/1997 Phillips
D394,918 S * 6/1998 Gillmore et al. D28/73
5,938,202 A * 8/1999 Williams 273/336
D427,378 S * 6/2000 Pritchett D28/73
6,119,673 A * 9/2000 Matthews 211/49.1
D432,828 S * 10/2000 Snell D6/522

* cited by examiner

Primary Examiner—Ted Shooman

Assistant Examiner—C Tuttle

(57) **CLAIM**

The ornamental design for a hair band holder, as shown and described.

DESCRIPTION

FIG. 1 is a front elevational view of the hair band holder of the present invention;

FIG. 2 is a rear elevational view of the hair band holder of FIG. 1;

FIG. 3 is a left side elevational view of the hair band holder of FIG. 1, the right view being a mirror image thereof;

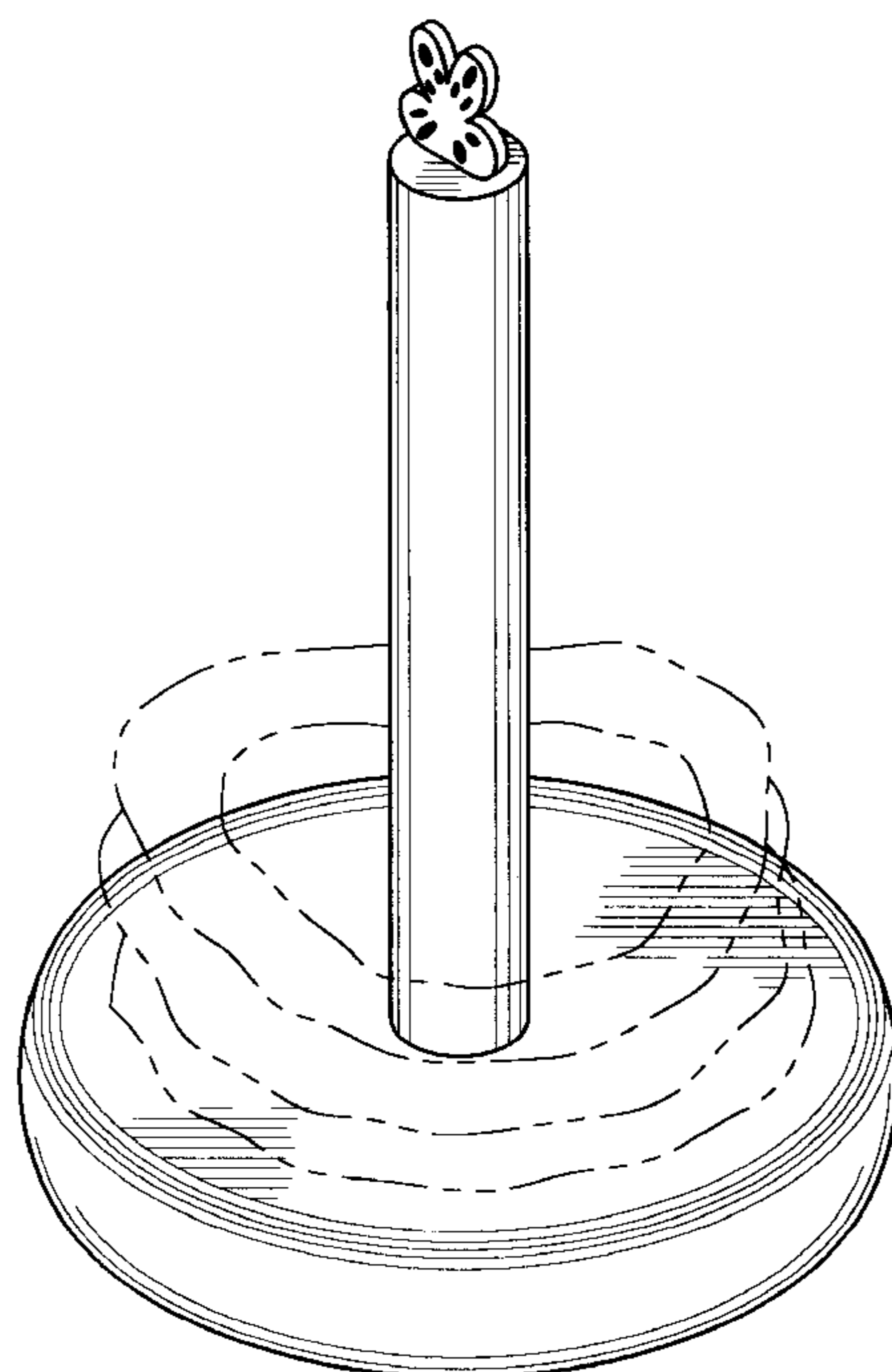
FIG. 4 is a top plan view of the hair band holder of FIG. 1;

FIG. 5 is a bottom plan view of the hair band holder of FIG. 1; and,

FIG. 6 is a top, front, right side perspective view of the hair band holder of FIG. 1.

The broken lines showing hair bands in FIGS. 1,2,3,4 and 6 are for illustrative purposes only and form no part of the claimed design.

1 Claim, 4 Drawing Sheets



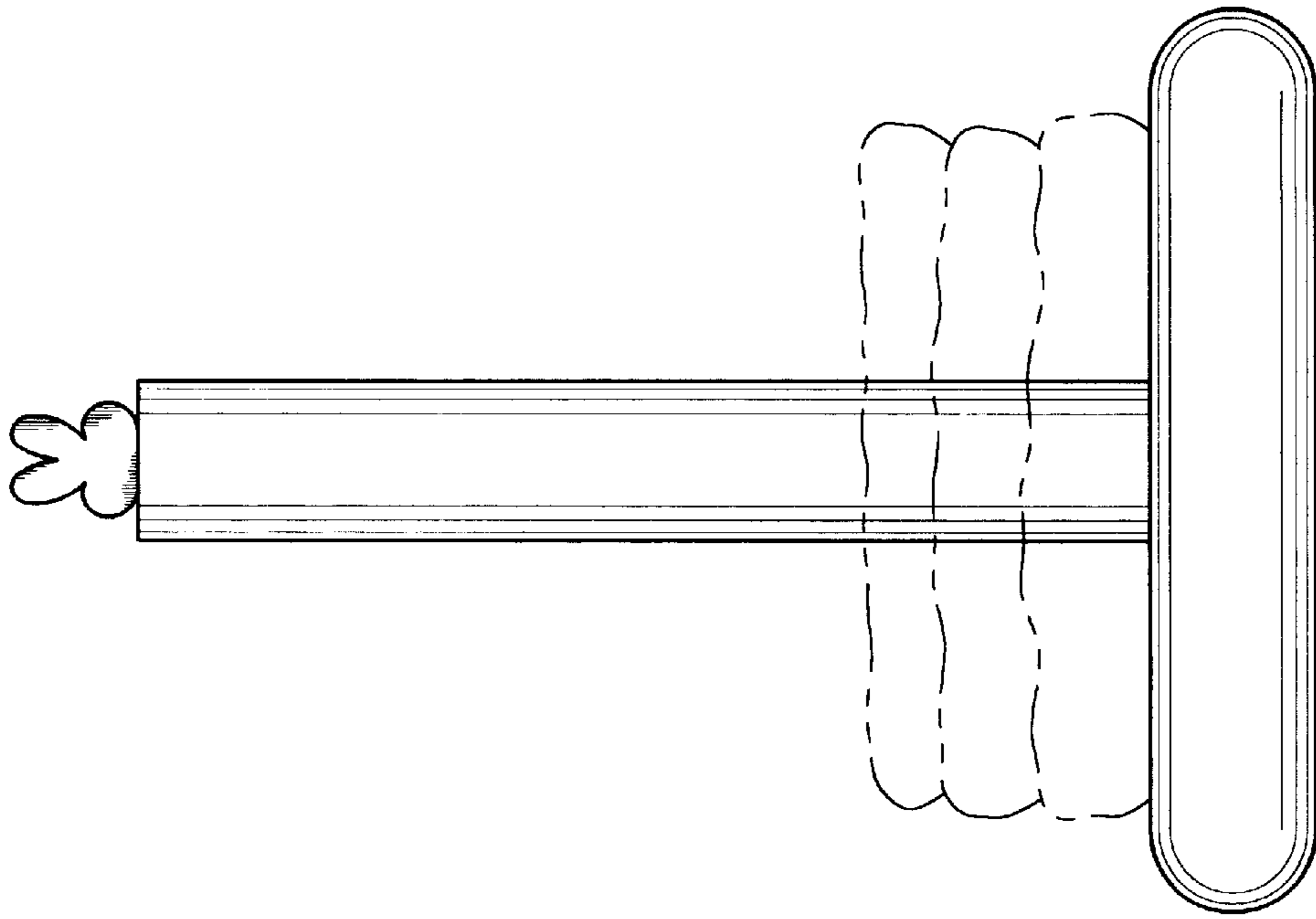


FIG. 1

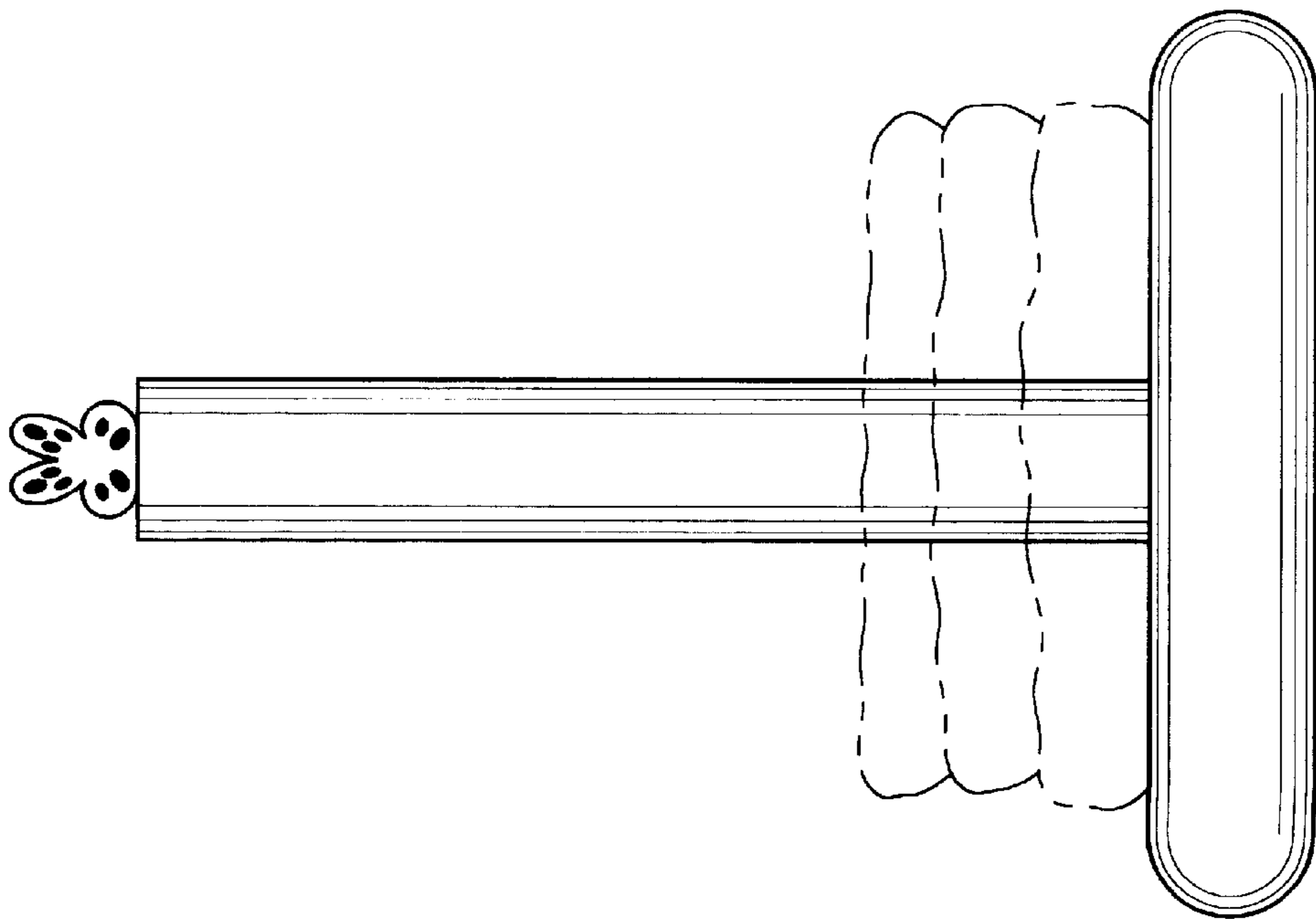


FIG. 2

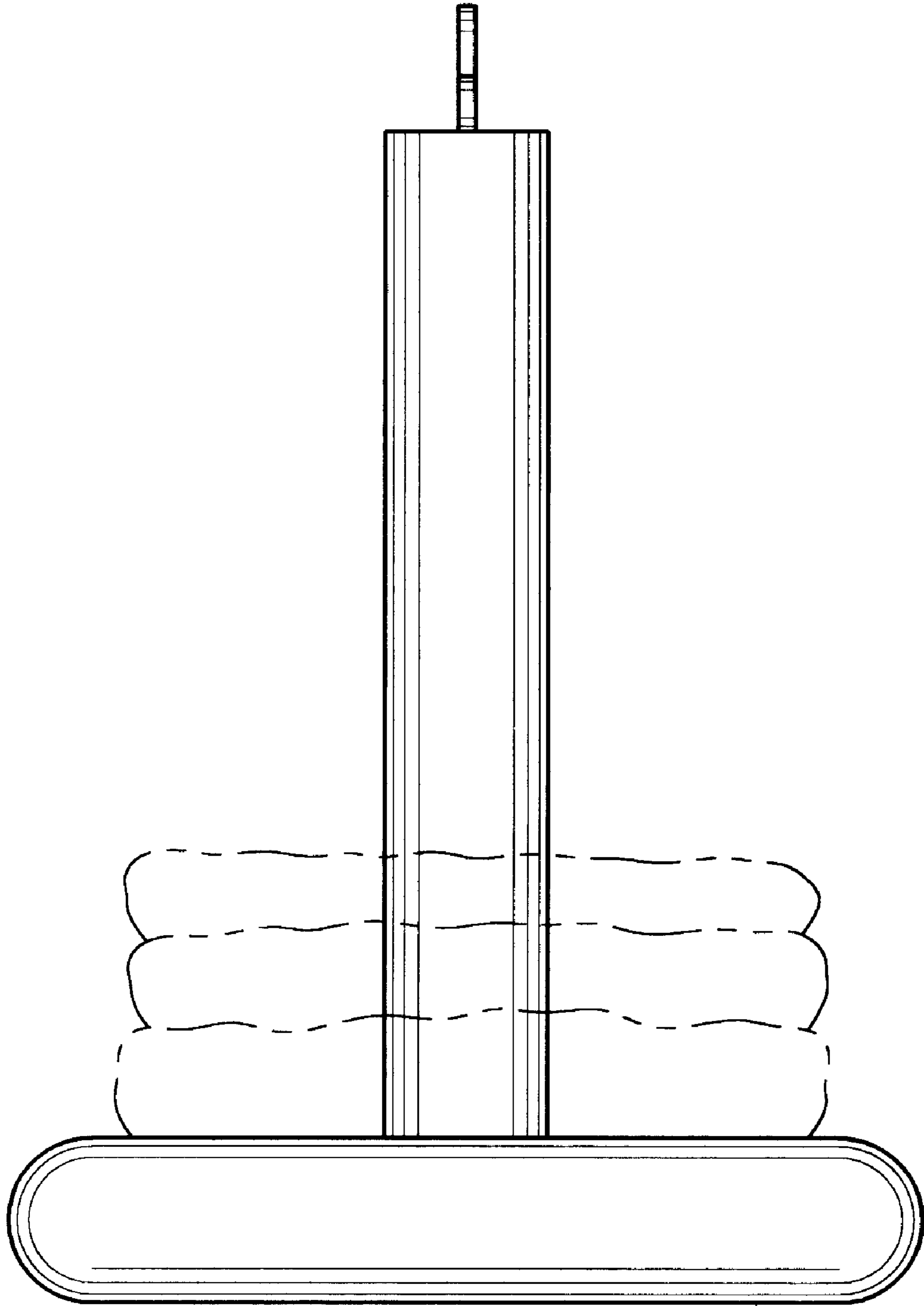


FIG. 3

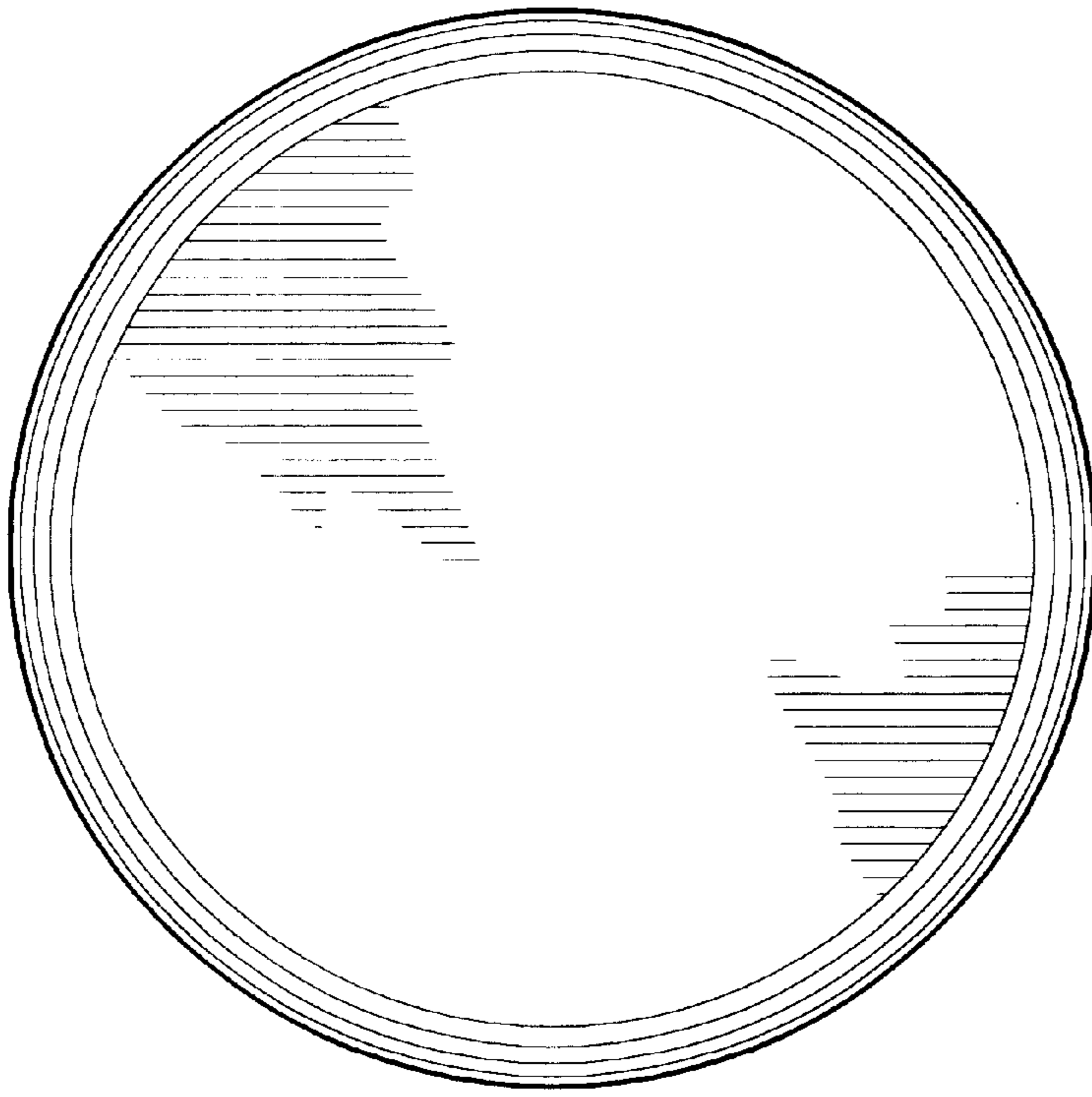


FIG. 4

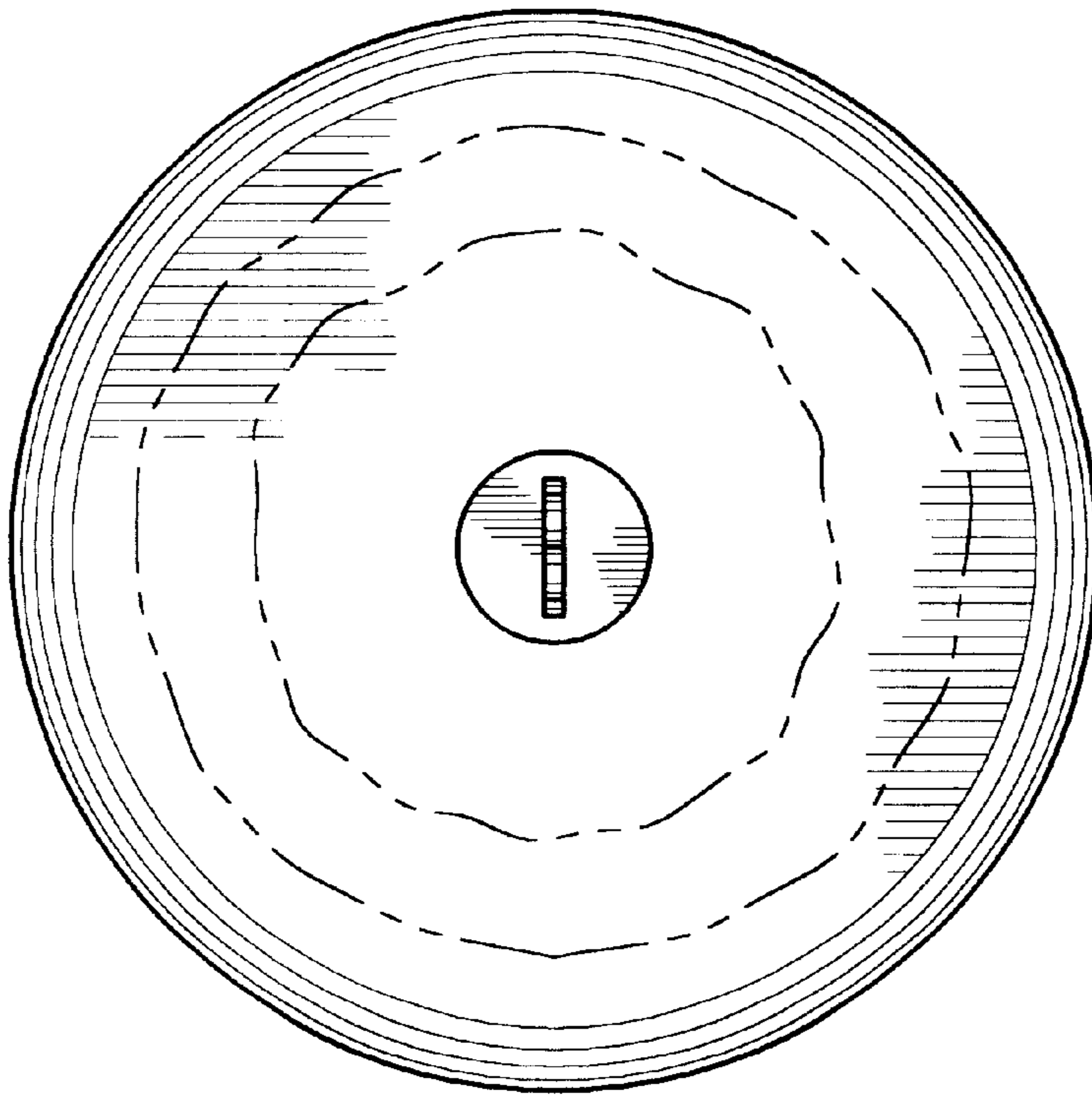


FIG. 5

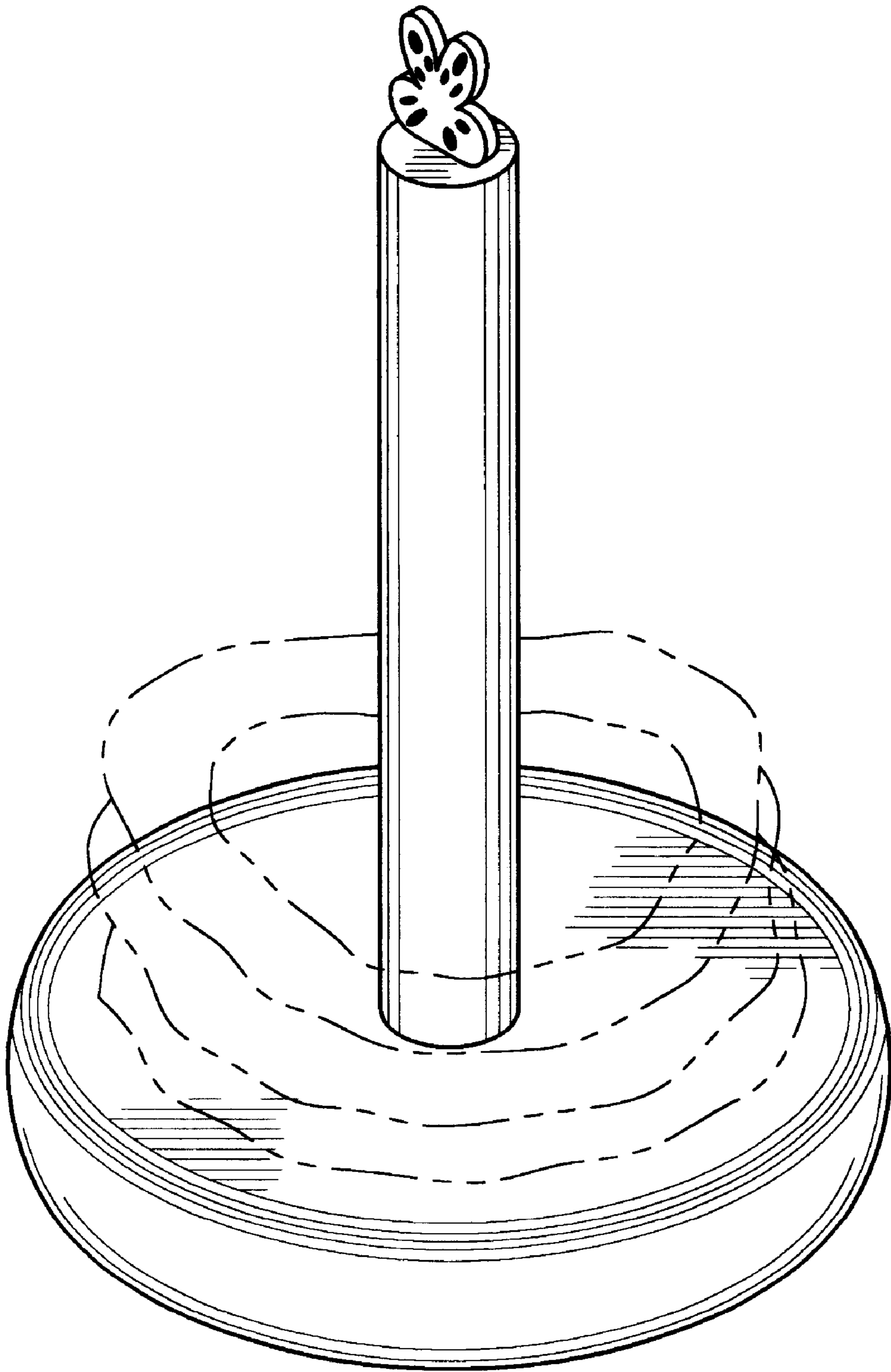


FIG. 6