



US00D457270S

(12) **United States Design Patent**
Brock

(10) **Patent No.:** **US D457,270 S**

(45) **Date of Patent:** **** May 14, 2002**

(54) **TOOTHPASTE AND DENTAL FLOSS ATTACHMENT CORD**

(76) **Inventor:** **Anthony Brock**, 1225 S. Ross St., Santa Ana, CA (US) 92707

(**) **Term:** **14 Years**

(21) **Appl. No.:** **29/132,641**

(22) **Filed:** **Nov. 13, 2000**

(51) **LOC (7) Cl.** **28-03**

(52) **U.S. Cl.** **D28/73; D9/434**

(58) **Field of Search** D3/205, 207, 208-210, D3/215, 318, 328; D4/108, 199; D6/512, 513, 524, 526-528, 530, 534, 541, 553, 566; D8/71, 349, 354, 367, 370, 373, 380, 382, 394-396; D9/337.302, 341, 344, 434, 455; D19/36, 54, 81; 24/1, 3.1, 3.13, 3.2, 3.5, 3.9, 13, 10 R, 11 R, 11 FE, 11 PP, 11 CC, 11 CT, 11 HC, 11 S, 11 C, 11 F, 11 H, 11 P, 12, 298-300, 303, 304, DIG. 11; 132/286, 288, 290, 308-311, 324; 211/13.1, 60.1, 69.1, 71.01, 85.31, 89.01, 85.9, 85.29, 78-81, 62-67, 69.5, 69.6, 69.8, 113, 115, 116, 119, 119.009, 106, 181.1, DIG. 1; 220/735, 737, 743, 751; 224/148.5, 148.6, 584, 197, 200, 220, 242, 251, 254-256, 269; 248/682, 683-685, 690, 693, 108, 110-113, 205.3, 213.2, 309.1, 309.4, 312, 312.1, 315, 317; 401/6, 8, 48, 52, 88, 131, 195; 206/581, 823, 277, 478, 216, 223, 38, 38.1; 222/93

831,985 A	*	9/1906	Pettingell	248/218.2
1,385,767 A	*	7/1921	Widmaier	401/118
1,487,085 A	*	3/1924	Blackshear	211/65
2,340,521 A	*	2/1944	Engert	248/312
2,641,809 A	*	6/1953	Kimball	211/69.8
3,586,212 A	*	6/1971	Tzouras et al.	222/93
4,530,129 A	*	7/1985	Labick et al.	15/184
5,605,241 A	*	2/1997	Imperioli	215/306
5,762,211 A	*	6/1998	Ensign	211/70.6
5,820,090 A	*	10/1998	Nickels	248/213.2
5,899,014 A	*	5/1999	Bornhoft et al.	43/2
5,951,183 A	*	9/1999	Landis	401/48

* cited by examiner

Primary Examiner—Ted Shooman

Assistant Examiner—C Tuttle

(74) *Attorney, Agent, or Firm*—Goldstein Law Offices P.C.

(57) **CLAIM**

The ornamental design for a toothpaste and dental floss attachment cord, as shown and described.

DESCRIPTION

FIG. 1 is a perspective view of a toothpaste and dental floss attachment cord in full lines with a tube of toothpaste and a dental floss container shown in broken lines, said broken lines being for illustrative purposes only and forming no part of the claimed invention.

FIG. 2 is a front elevational view thereof.

FIG. 3 is a rear elevational view thereof.

FIG. 4 is a left side elevational view thereof.

FIG. 5 is a right side elevational view thereof;

FIG. 6 is a bottom plan view thereof; and,

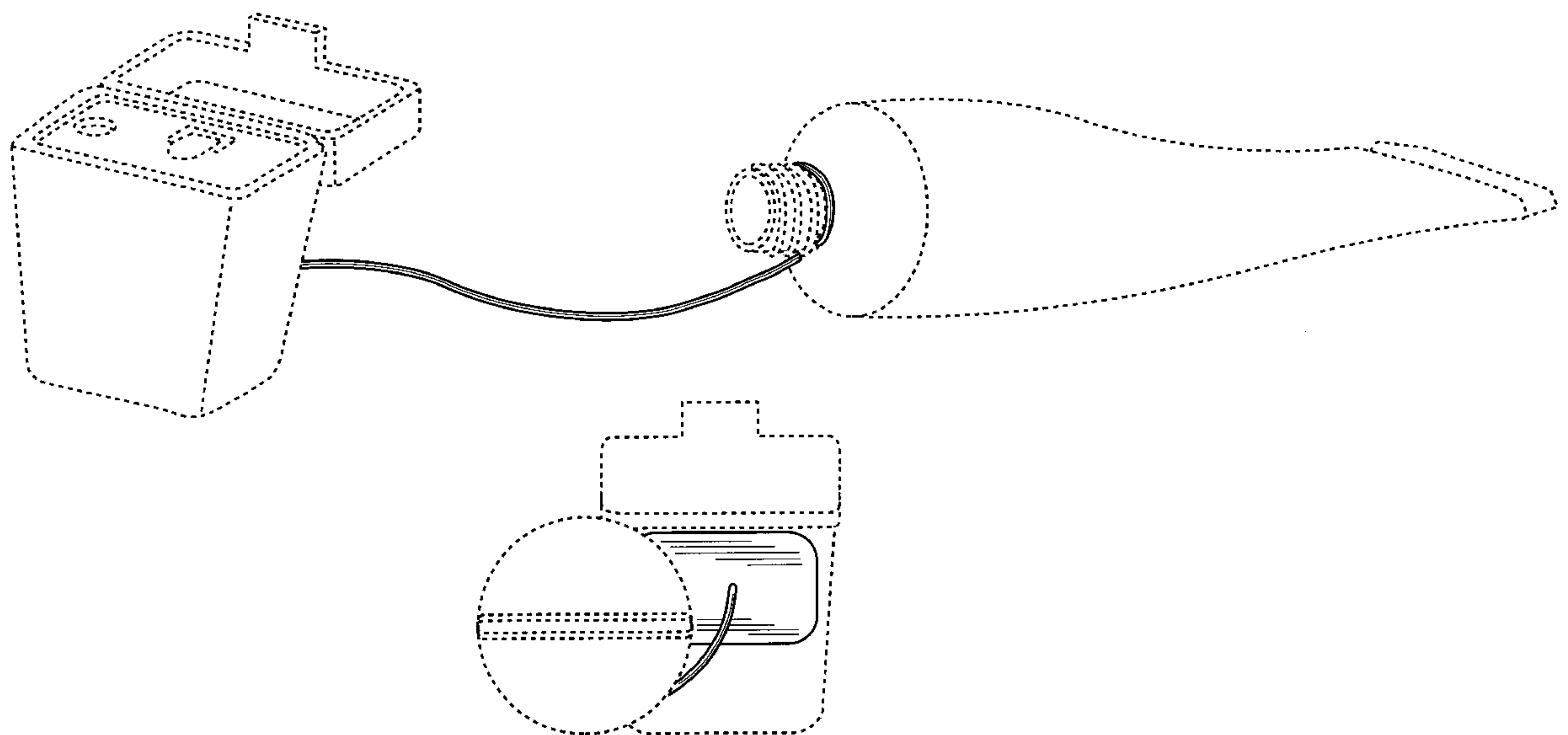
FIG. 7 is a top plan view thereof.

(56) **References Cited**

U.S. PATENT DOCUMENTS

717,228 A * 12/1902 Long 211/69.8

1 Claim, 4 Drawing Sheets



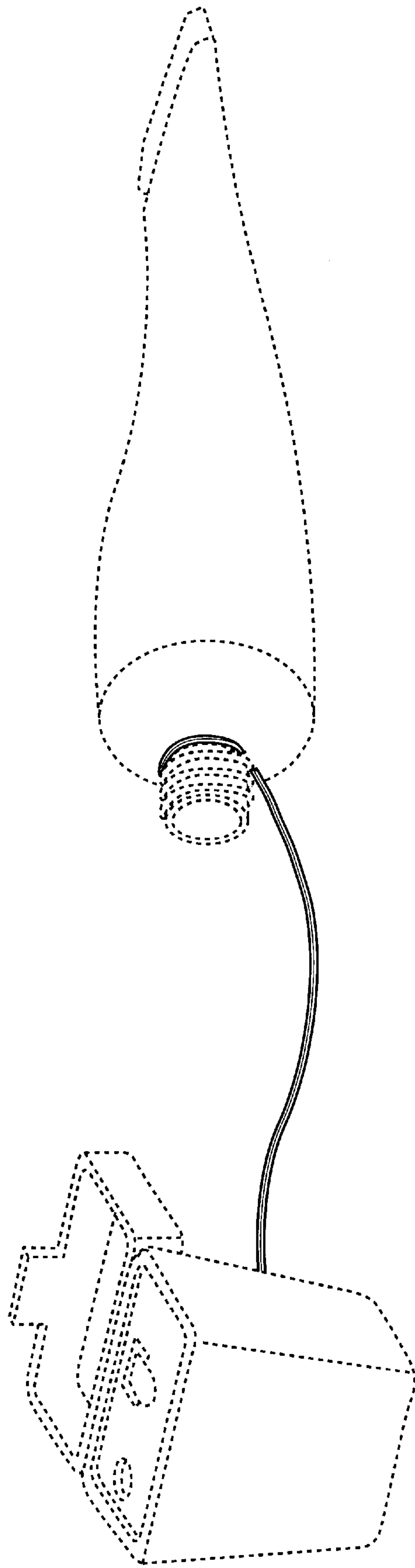


FIG. 1

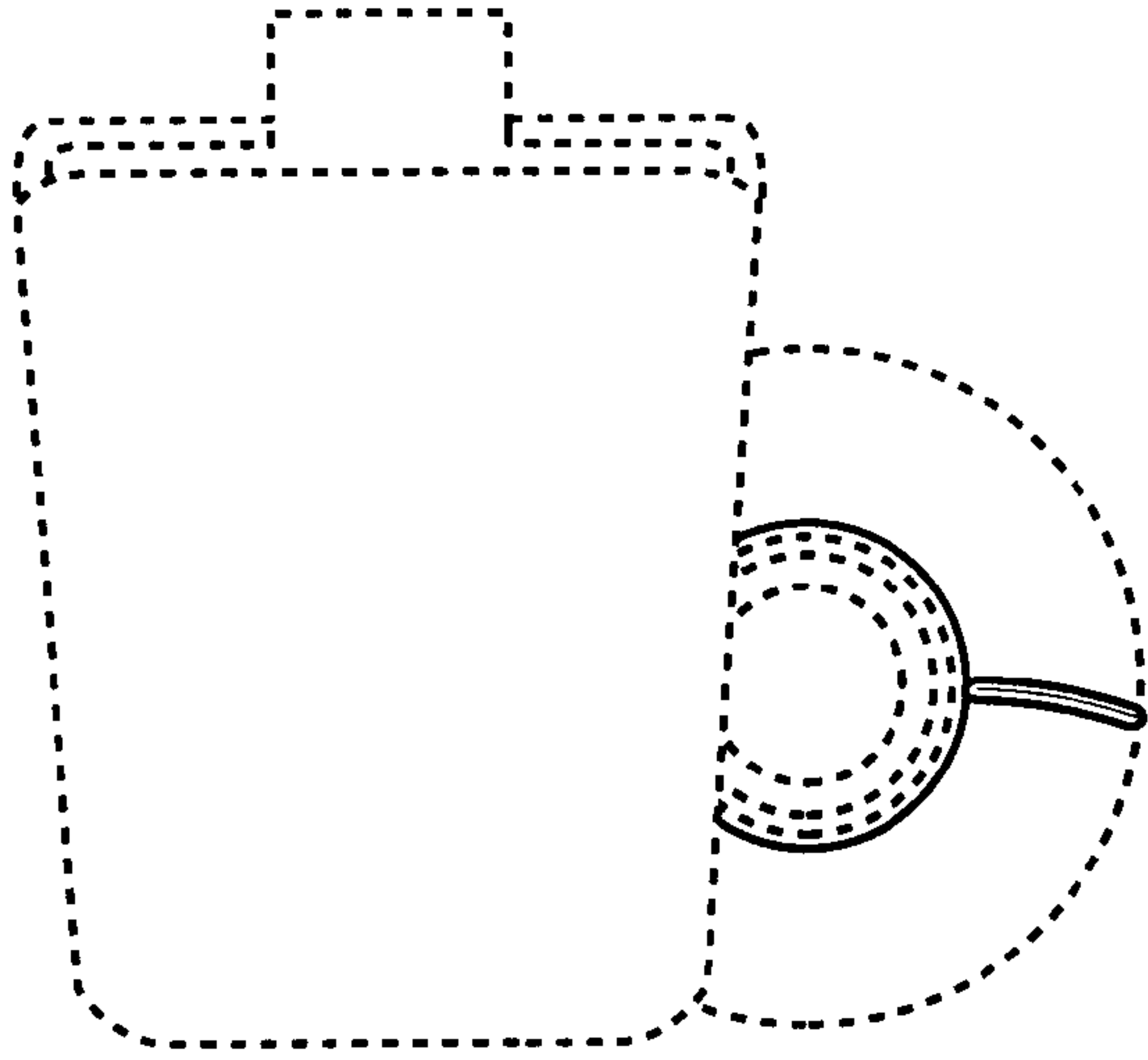


FIG. 2

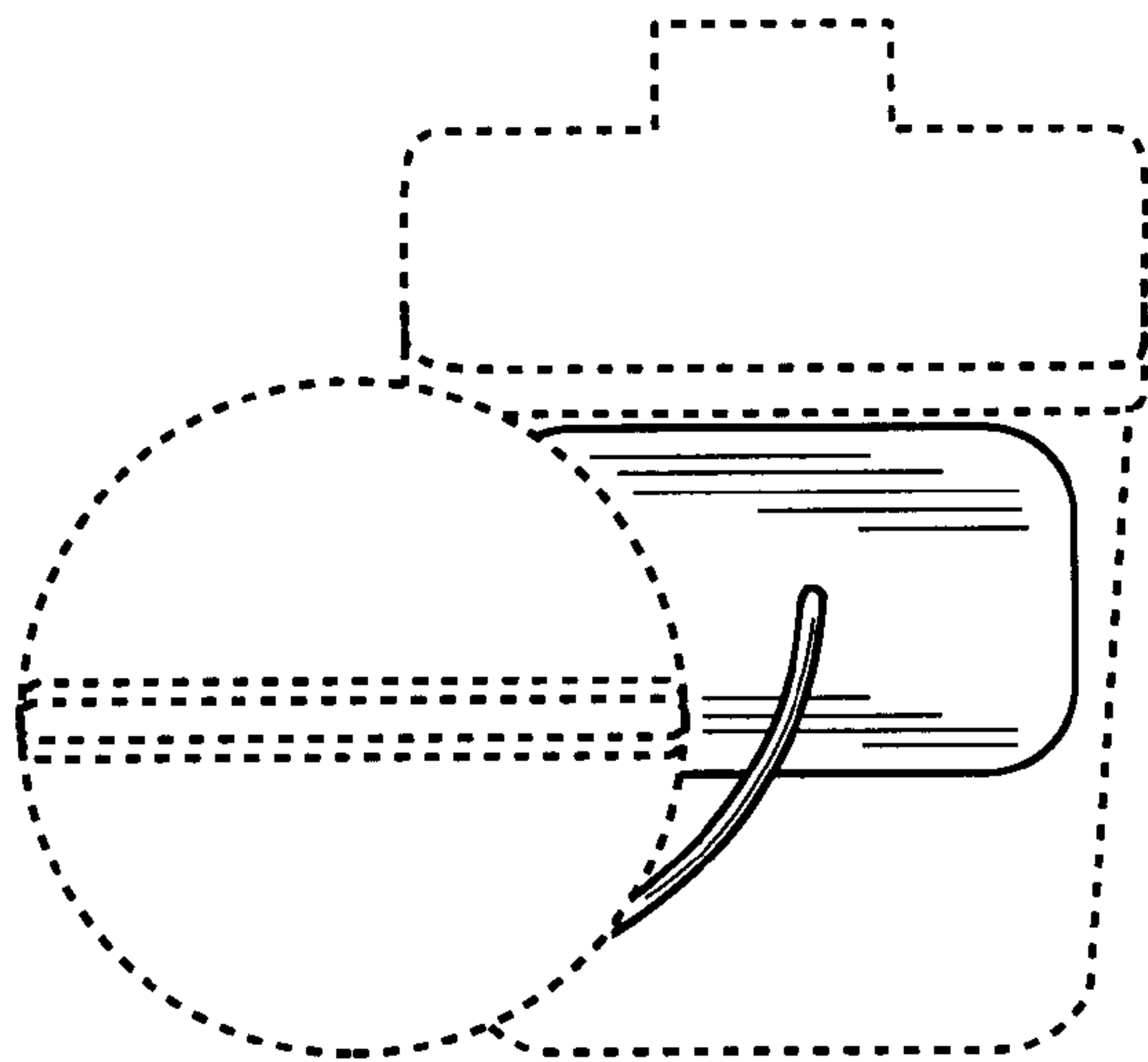


FIG. 3

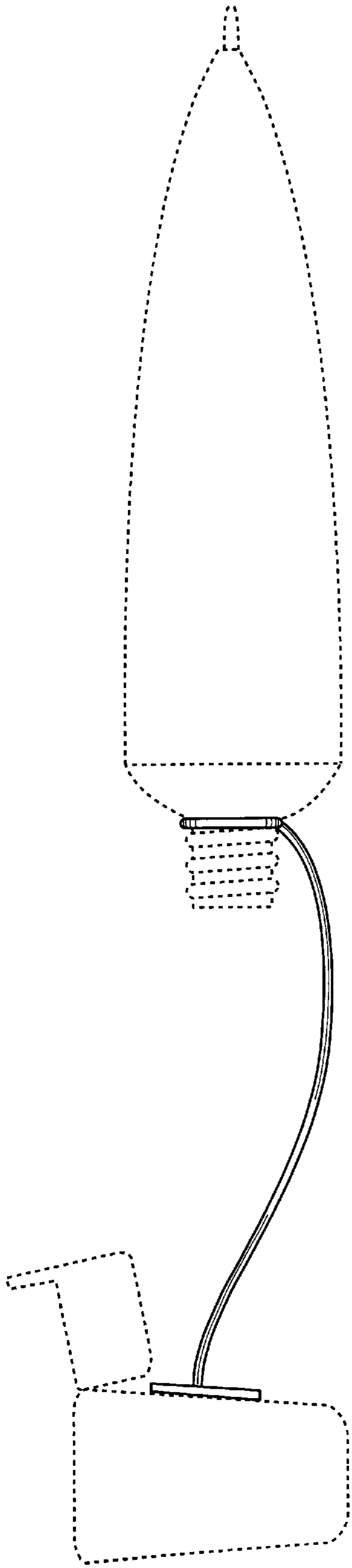


FIG. 4

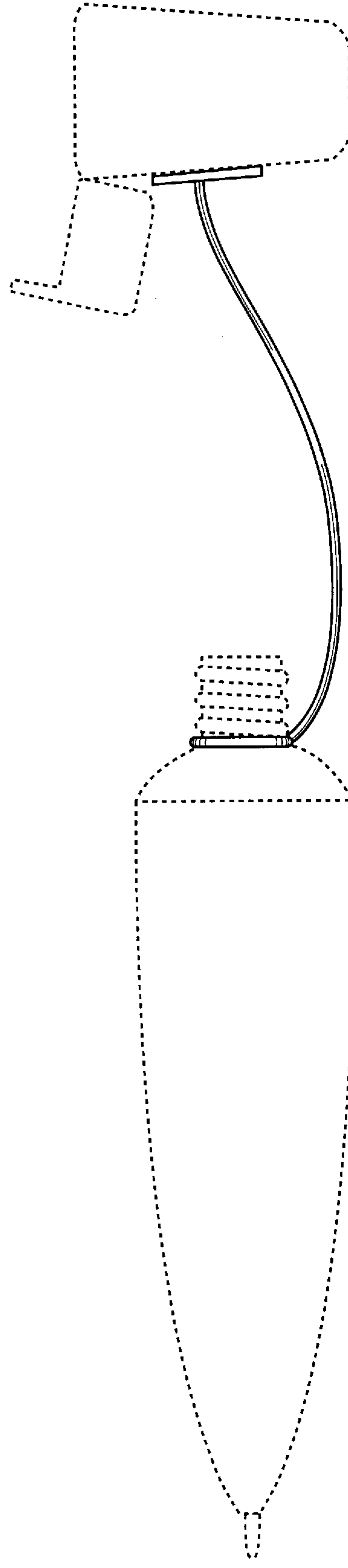


FIG. 5

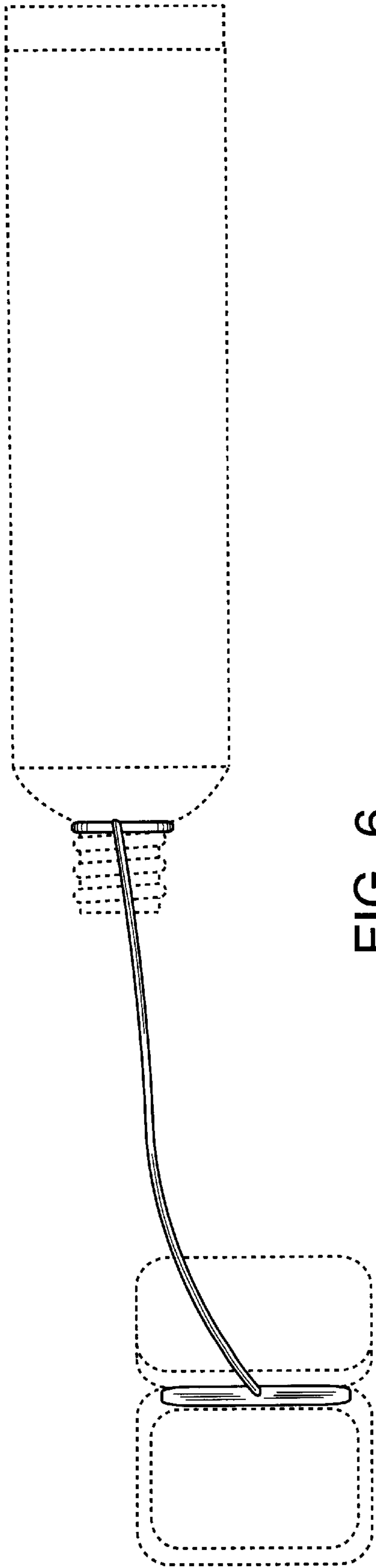


FIG. 6

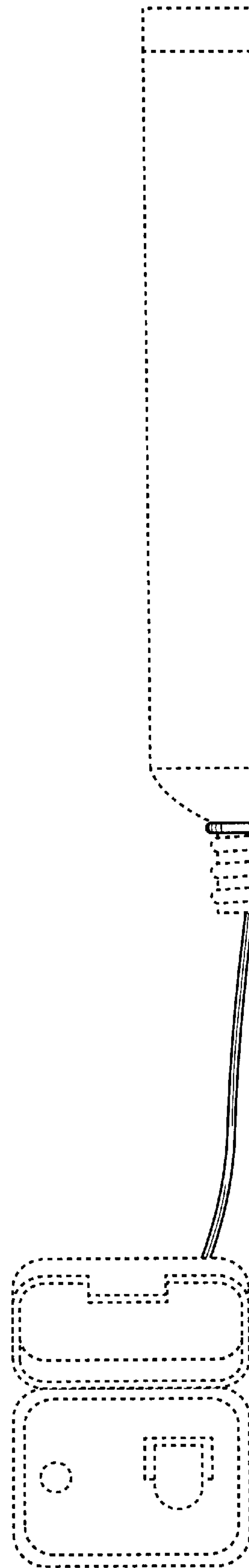


FIG. 7