



US00D457269S

(12) **United States Design Patent**
Arey

(10) **Patent No.:** **US D457,269 S**

(45) **Date of Patent:** **** May 14, 2002**

(54) **CURVED CORNER RAZOR BLADE**

(75) **Inventor:** **Jeffrey Raymond Arey, Waynesboro, VA (US)**

(73) **Assignee:** **American Safety Razor Company, Verona, VA (US)**

(**) **Term:** **14 Years**

(21) **Appl. No.:** **29/147,722**

(22) **Filed:** **Sep. 6, 2001**

Related U.S. Application Data

(62) Division of application No. 29/129,947, filed on Sep. 26, 2000, now Pat. No. Des. 449,709.

(51) **LOC (7) Cl.** **28-03**

(52) **U.S. Cl.** **D28/47; D8/20**

(58) **Field of Search** D28/44-47; D8/19, D8/20, 98-100; D32/46-48; D7/688; 30/32, 47-55, 62, 68, 76, 169, 329, 332, 335, 339, 346, 346.5, 346.6, 346.55, 346.56, 346.58, 346.61, 351, 353, 356; 15/235.7, 236.01, 236.05, 236.06, 236.07, 236.09

(56) **References Cited**

U.S. PATENT DOCUMENTS

D32,191 S	2/1900	Fuller	D8/98
650,043 A *	5/1900	Gotterke	30/32
794,798 A	7/1905	Heckel	30/332
968,428 A *	8/1910	Smith	30/55
1,044,671 A	11/1912	Litt	30/32
RE13,544 E *	3/1913	Korper	30/27
1,269,497 A	6/1918	Orr et al.	30/32
D59,243 S	10/1921	MacLagan	D28/47
D59,345 S	10/1921	Gaisman	D28/47

1,458,192 A	6/1923	Nickerson	30/346.6
1,667,859 A	5/1928	Havran	30/332
2,019,122 A	10/1935	Duritz	30/346.58
2,108,267 A	2/1938	O'Neill	30/346.58
2,126,080 A *	8/1938	Backer	30/353
D130,274 S	11/1941	Morner	D28/47
D195,462 S	6/1963	Baseel	D28/45
3,413,720 A	12/1968	Mullen	30/62
4,860,452 A	8/1989	Guarnaccia et al.	30/346.6
D403,815 S *	1/1999	Inerbickler	D32/46

* cited by examiner

Primary Examiner—Ted Shooman

Assistant Examiner—C Tuttle

(74) *Attorney, Agent, or Firm*—McDermott, Will & Emery

(57) **CLAIM**

The ornamental design for a curved corner razor blade, as shown and described.

DESCRIPTION

FIG. 1 is a perspective view of the curved corner razor blade design of the invention;

FIG. 2 is a bottom view of the curved corner razor blade design shown in FIG. 1;

FIG. 3 is a front view of the curved corner razor blade design shown in FIG. 1;

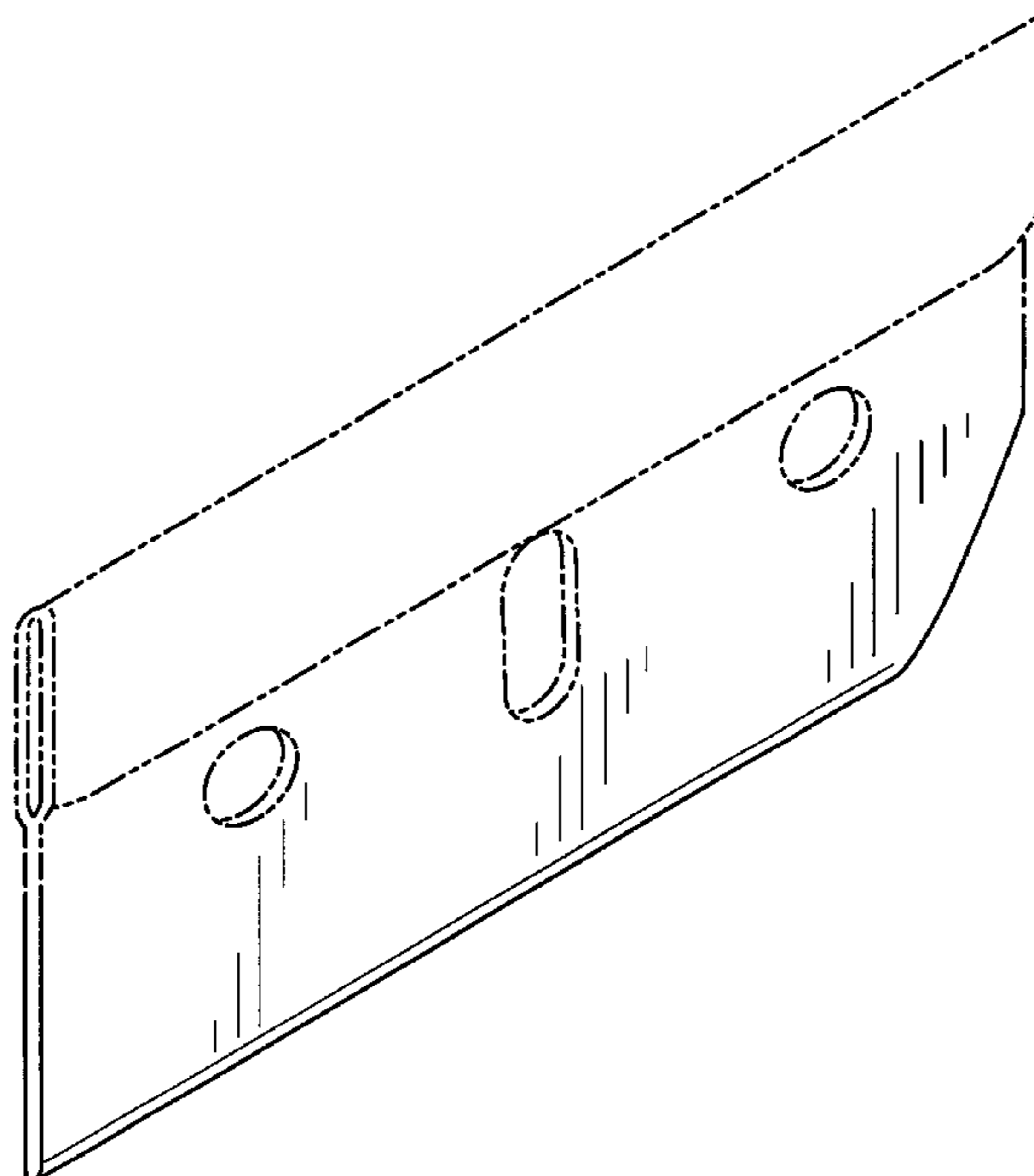
FIG. 4 is a back view of the curved corner razor blade design shown in FIG. 1;

FIG. 5 is a left side view of the curved corner razor blade design shown in FIG. 1; and,

FIG. 6 is a right side view of the curved corner razor blade design shown in FIG. 1.

The broken line portions of the disclosure are for illustrative purposes only and form no part of the claimed design.

1 Claim, 2 Drawing Sheets



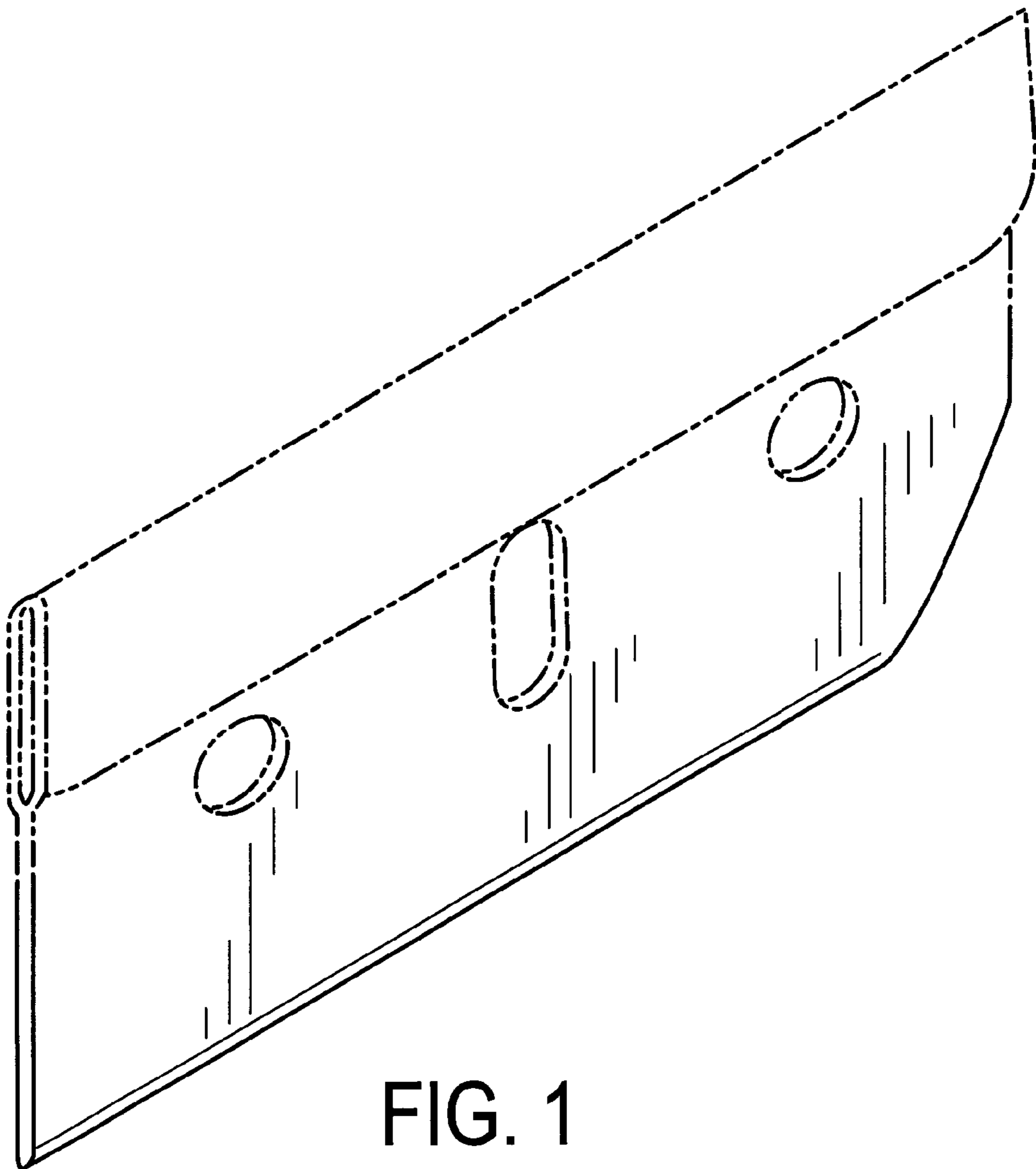


FIG. 1



FIG. 2

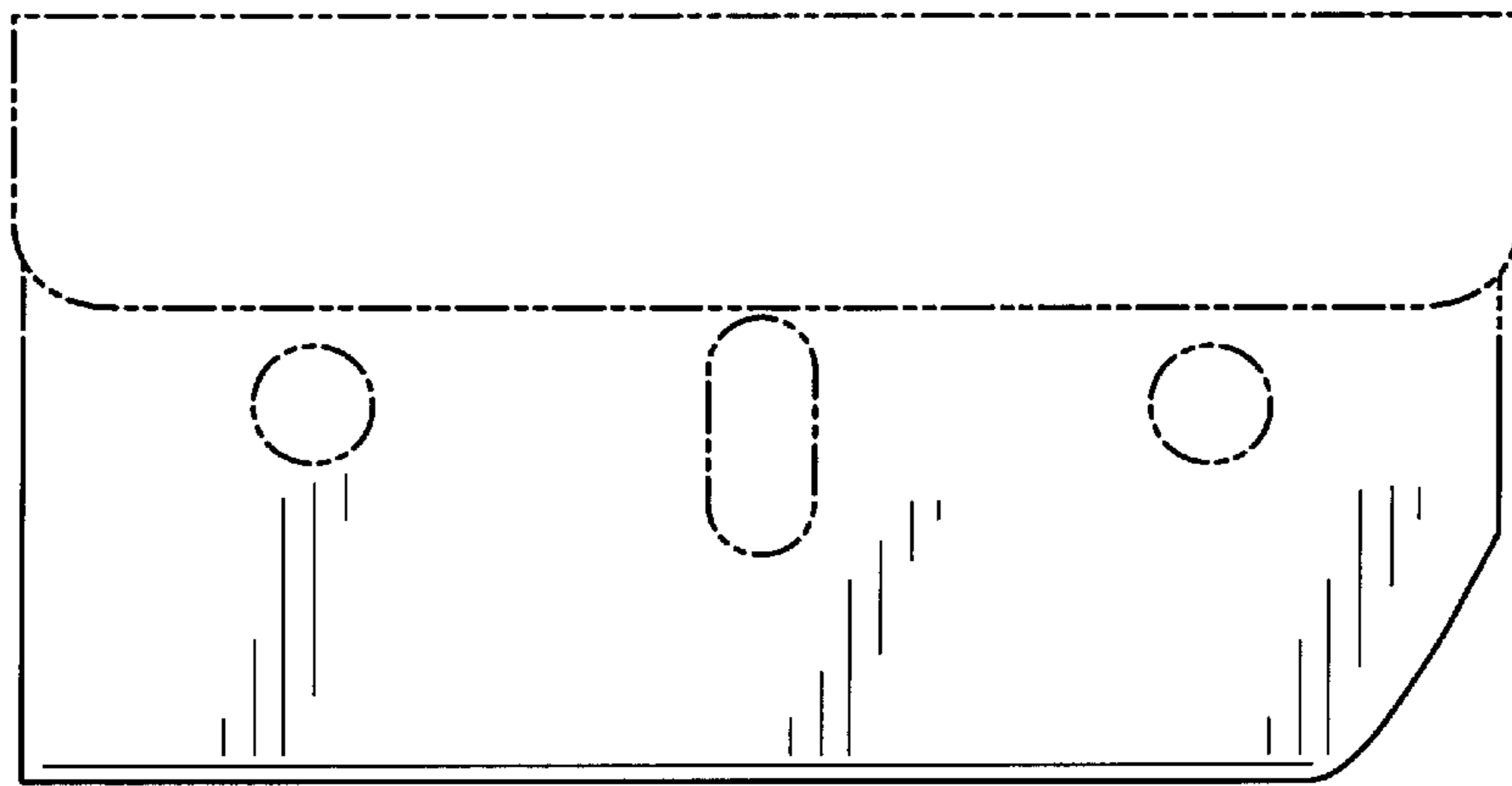


FIG. 3

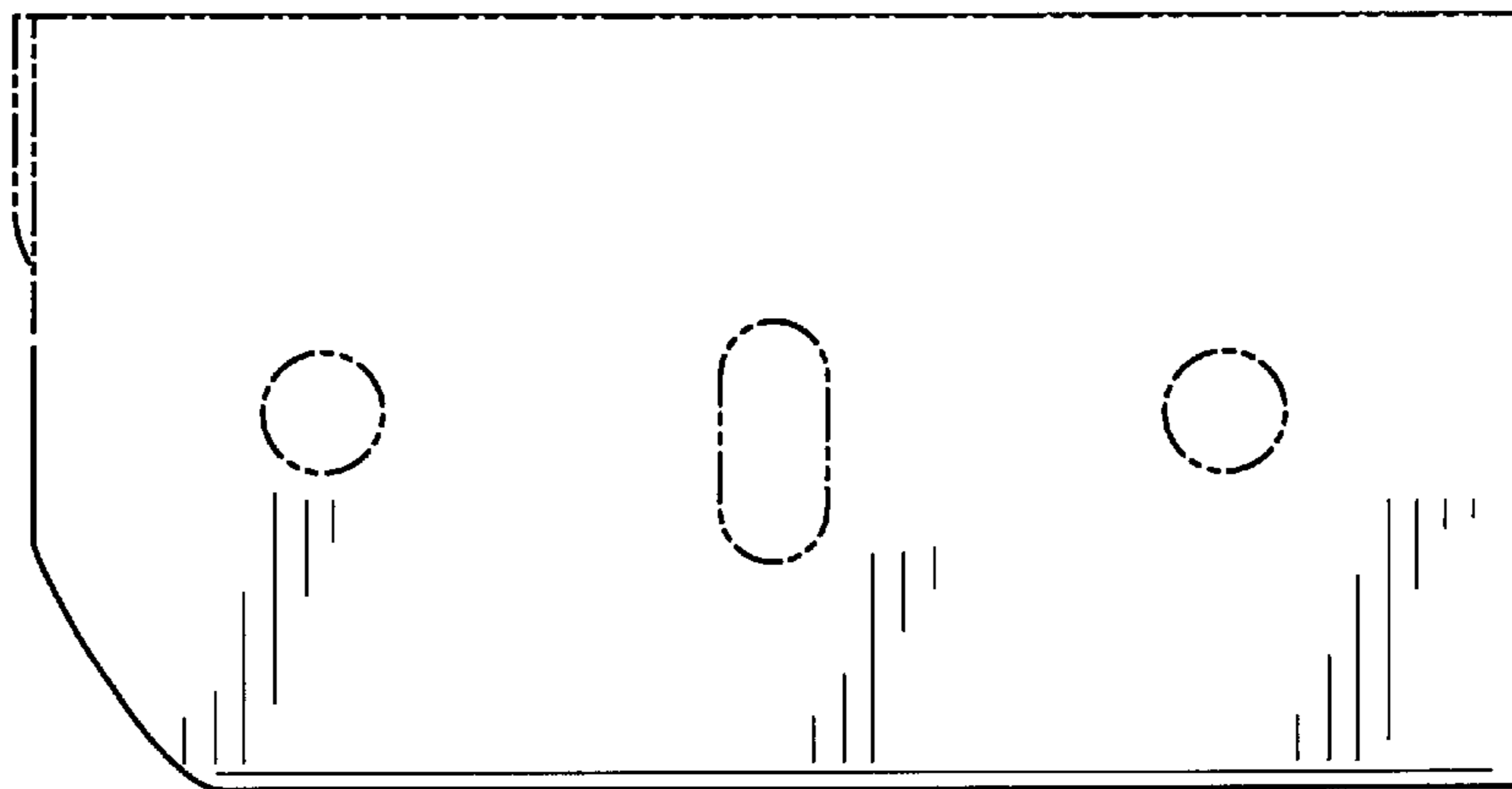


FIG. 4

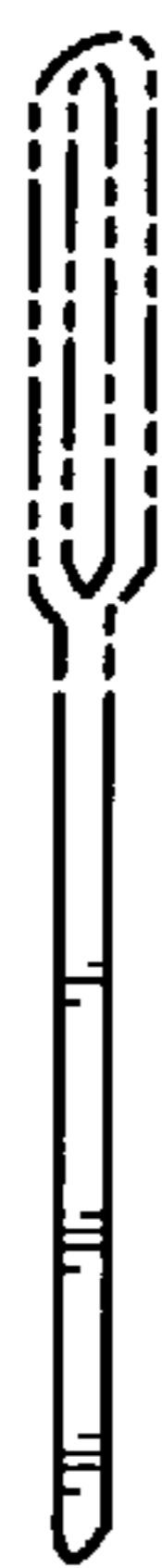


FIG. 5

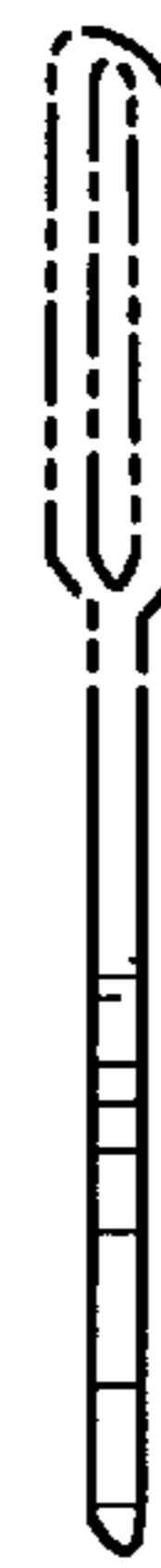


FIG. 6