



US00D457262S

(12) **United States Design Patent**
Smith

(10) **Patent No.:** **US D457,262 S**

(45) **Date of Patent:** **** May 14, 2002**

(54) **COMBINATION CIGAR LIGHTER AND CUTTER**

DESCRIPTION

(75) Inventor: **Andrew D. Smith**, Pascoag, RI (US)

(73) Assignee: **Colibri Corporation**, Providence, RI (US)

(**) Term: **14 Years**

(21) Appl. No.: **29/149,012**

(22) Filed: **Oct. 1, 2001**

(51) **LOC (7) Cl.** **27-05**

(52) **U.S. Cl.** **D27/143; D27/157**

(58) **Field of Search** **D27/141, 142, 143, 154, 157, 159; 431/253; 30/112, 109**

(56) **References Cited**

U.S. PATENT DOCUMENTS

D435,691 S * 12/2000 Reynolds D27/143
6,298,856 B1 * 10/2001 Park 431/253 X

* cited by examiner

Primary Examiner—Jennifer Rivard

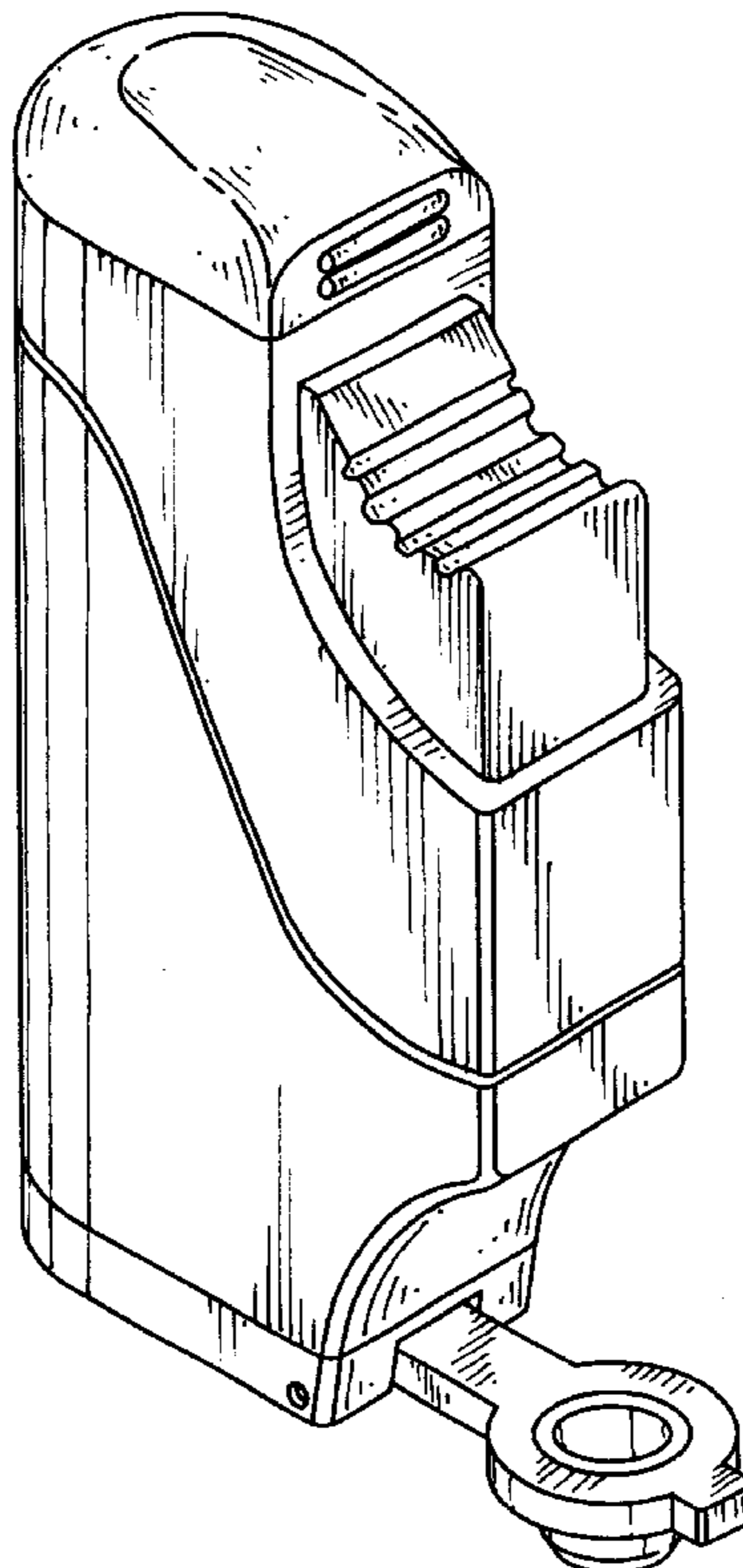
(74) *Attorney, Agent, or Firm*—Salter & Michaelson

(57) **CLAIM**

The ornamental design for a combination cigar lighter and cutter, as shown and described.

FIG. 1 is a perspective view of a combination cigar lighter and cutter showing my new design;
FIG. 2 is a left side elevational view thereof;
FIG. 3 is a right side elevational view thereof;
FIG. 4 is a rear elevational view thereof;
FIG. 5 is a front elevational view thereof;
FIG. 6 is a top plan view thereof;
FIG. 7 is a bottom plan view thereof;
FIG. 8 is a perspective view showing the lighter cover in raised, operative position;
FIG. 9 is a perspective view showing the cutter in operative position;
FIG. 10 is a left side elevational view with the cutter in operative position;
FIG. 11 is a right side elevational view with the cutter in operative position;
FIG. 12 is a rear elevational view with the cutter in operative position;
FIG. 13 is a front elevational view with the cutter in operative position;
FIG. 14 is a top plan view with the cutter in operative position; and,
FIG. 15 is a bottom plan view with the cutter in operative position.

1 Claim, 7 Drawing Sheets



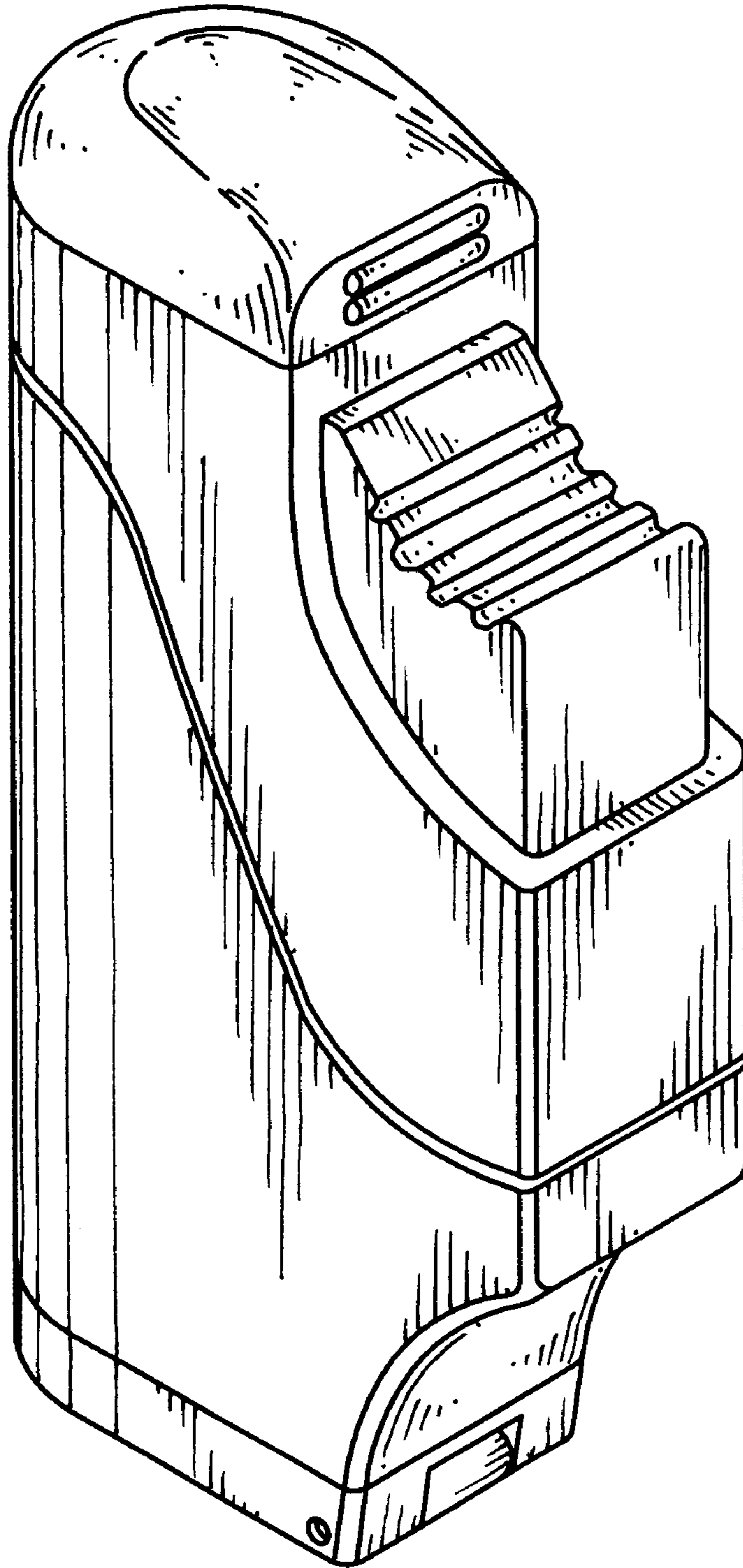


FIG. 1

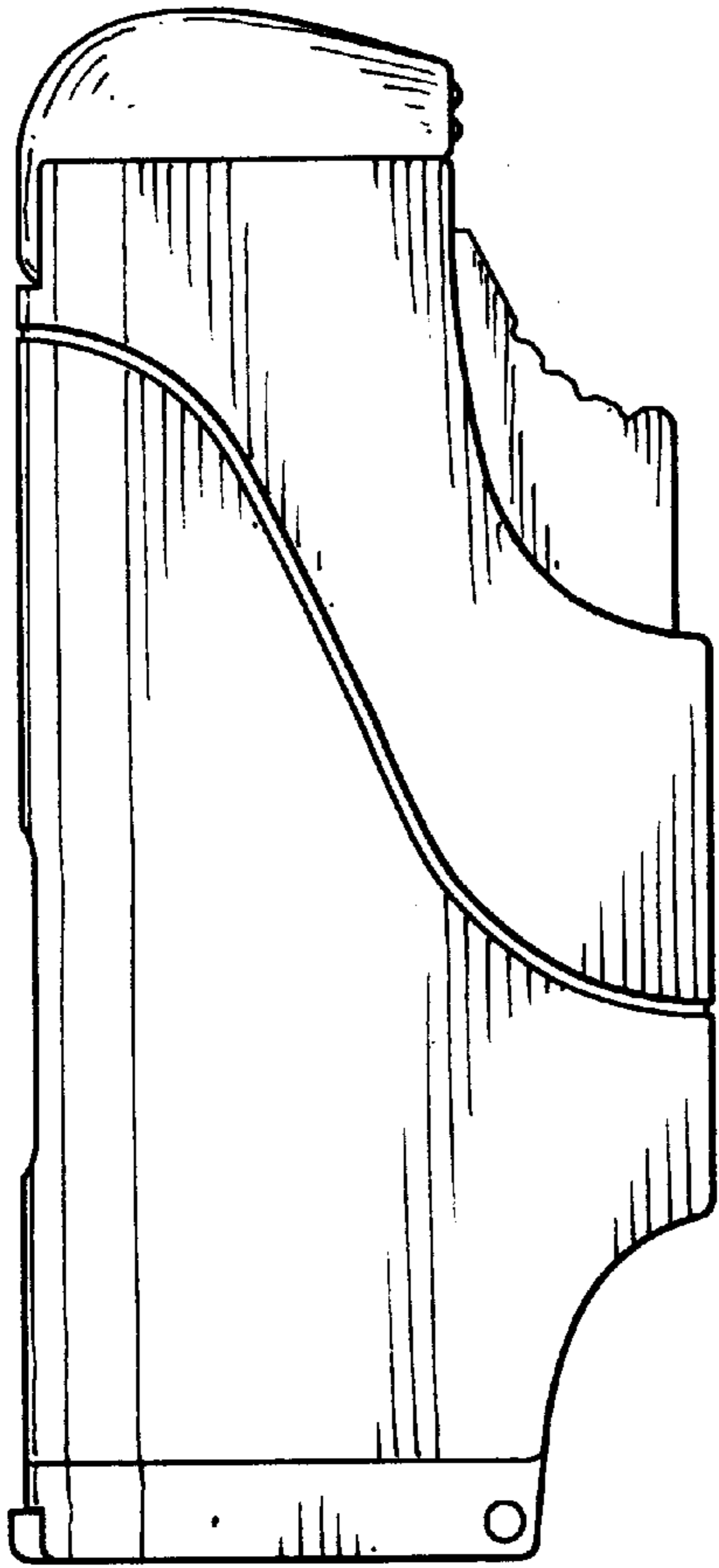


FIG. 2

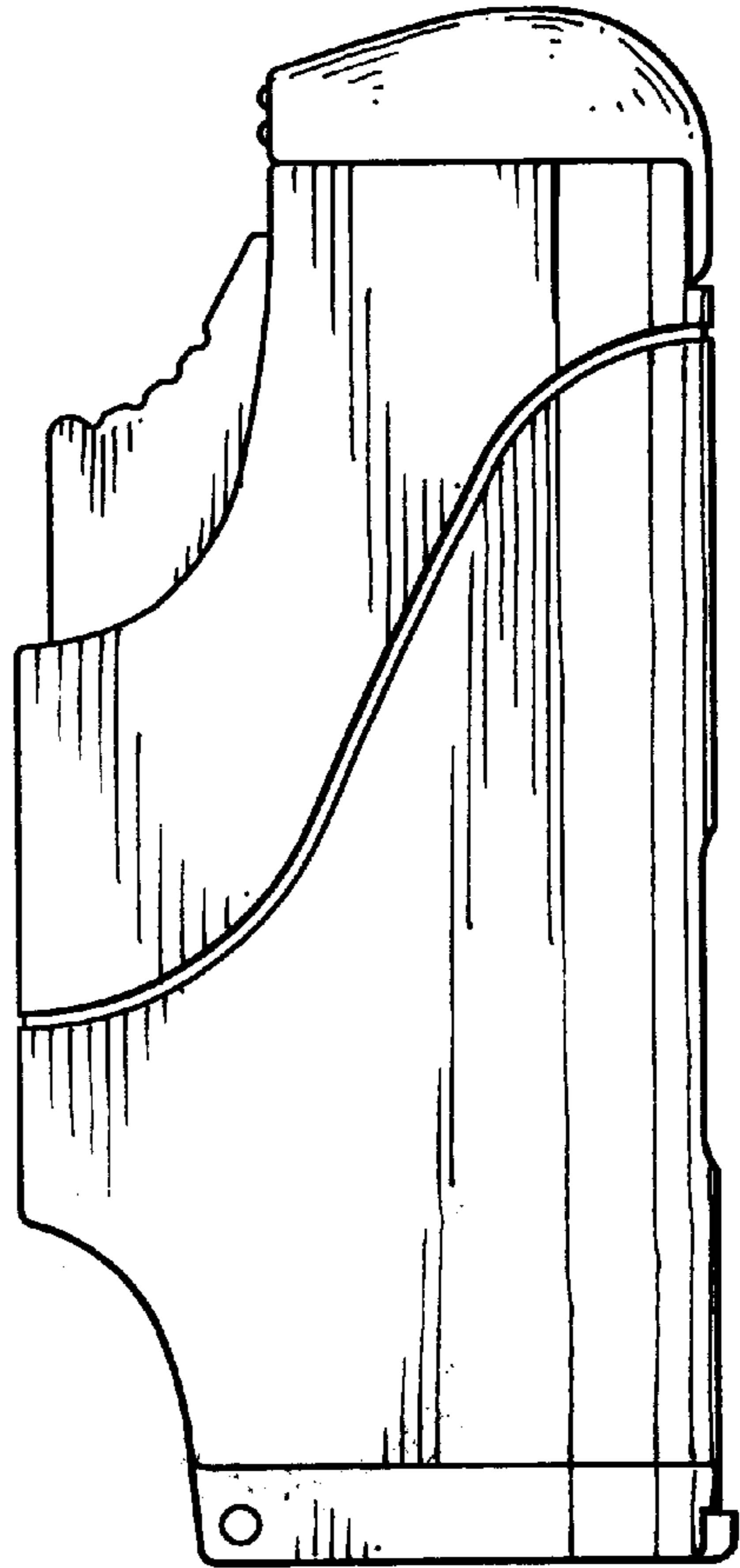


FIG. 3

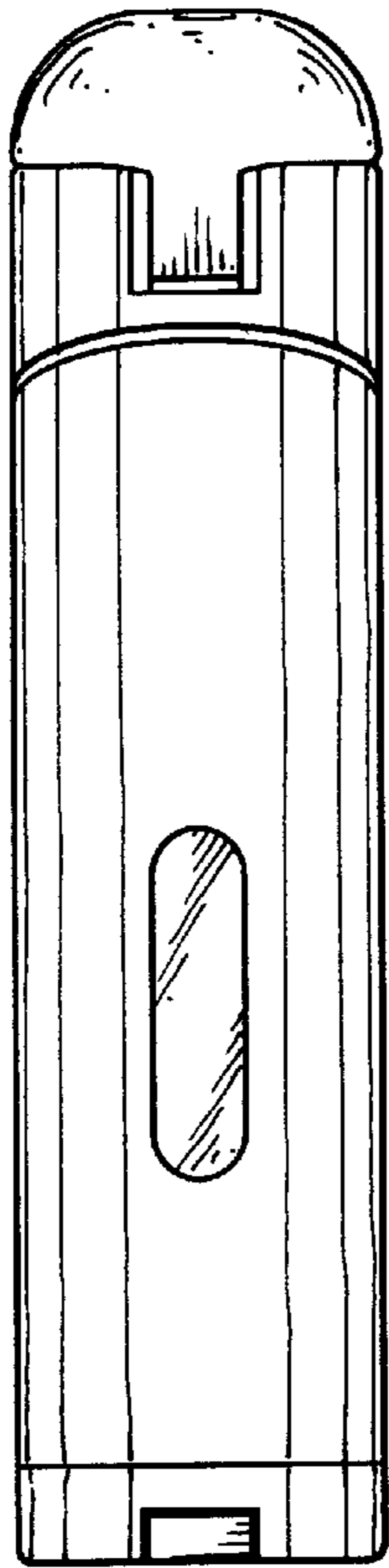


FIG. 4

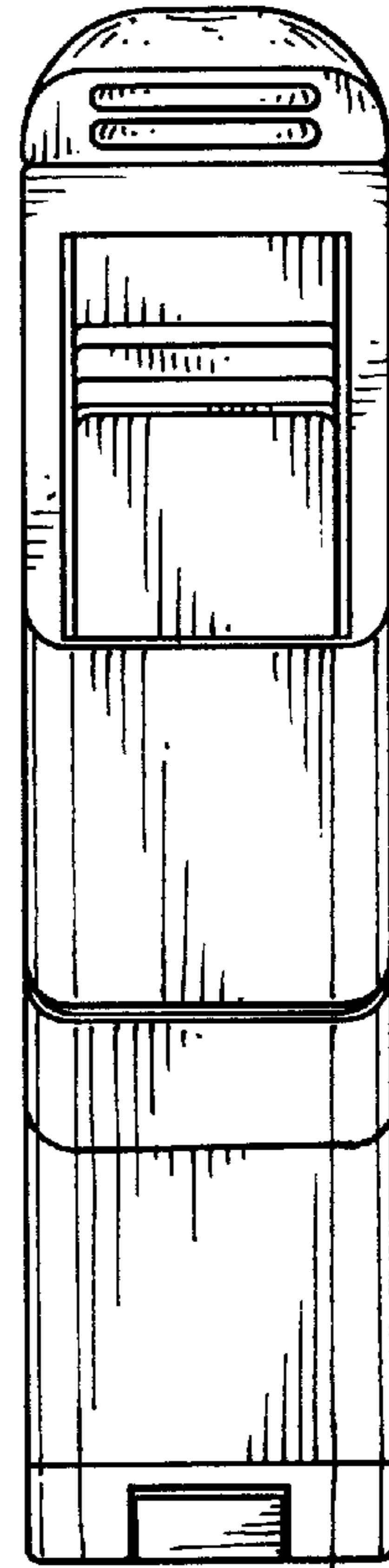


FIG. 5

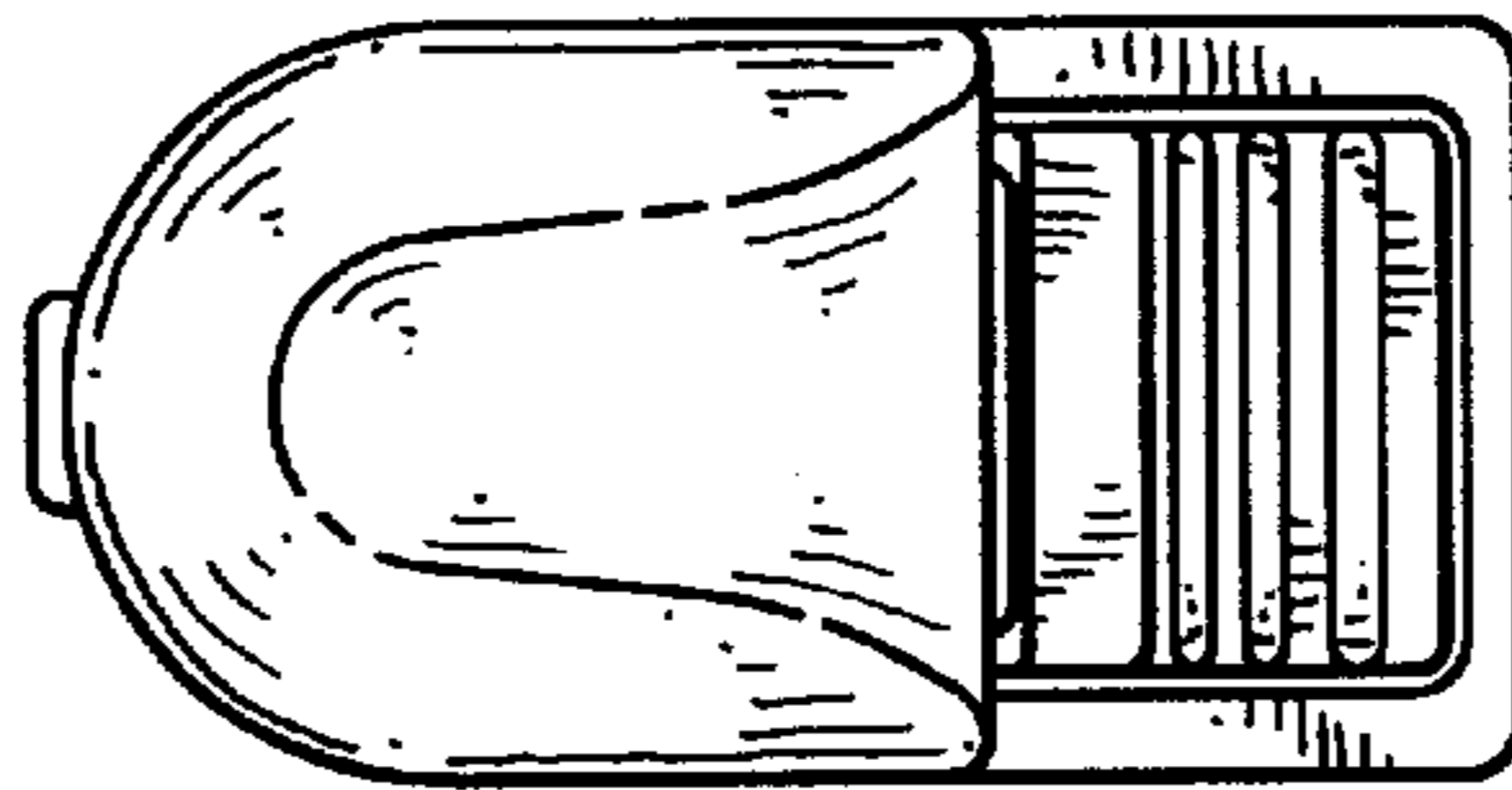


FIG. 6

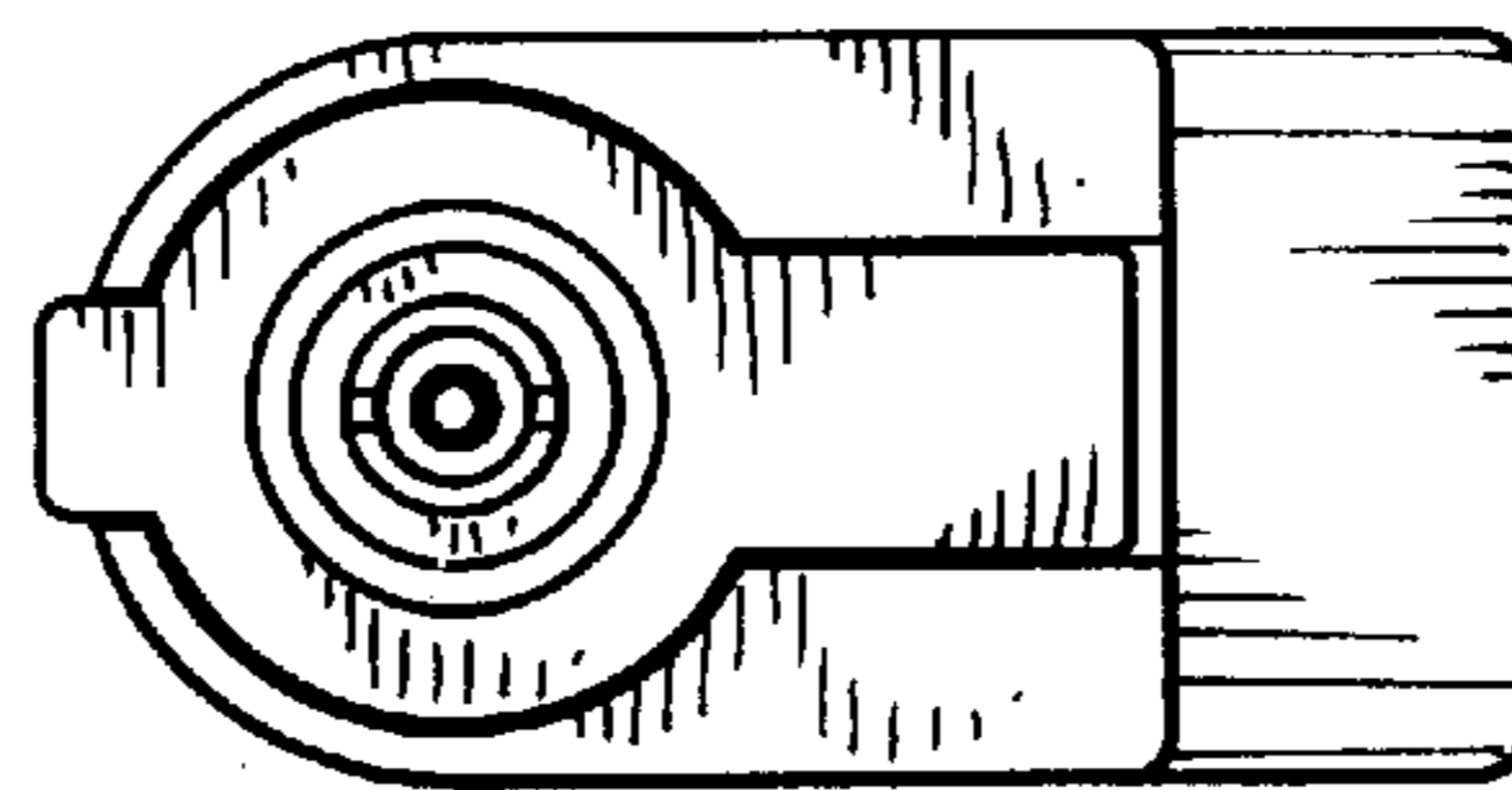


FIG. 7

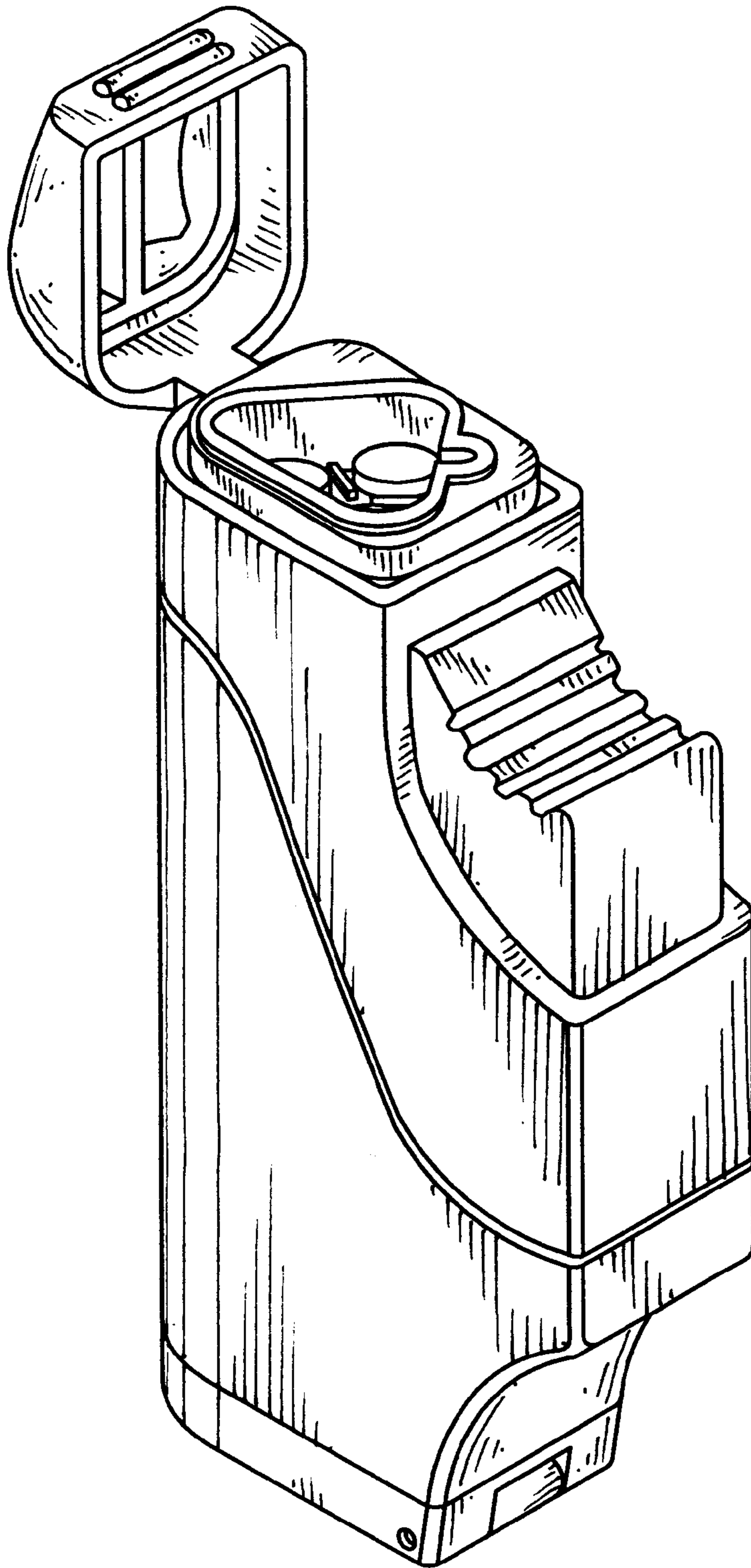


FIG. 8

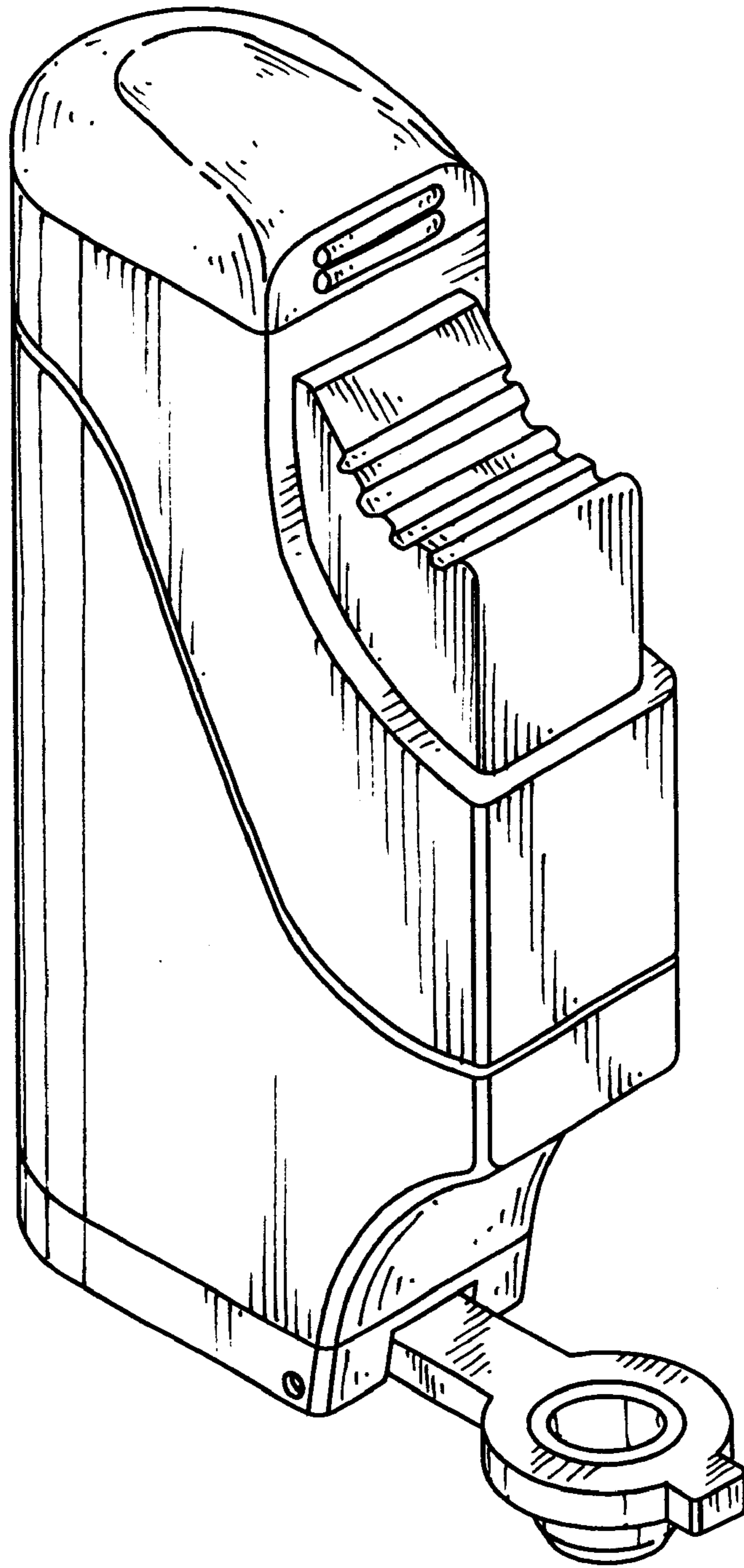


FIG. 9

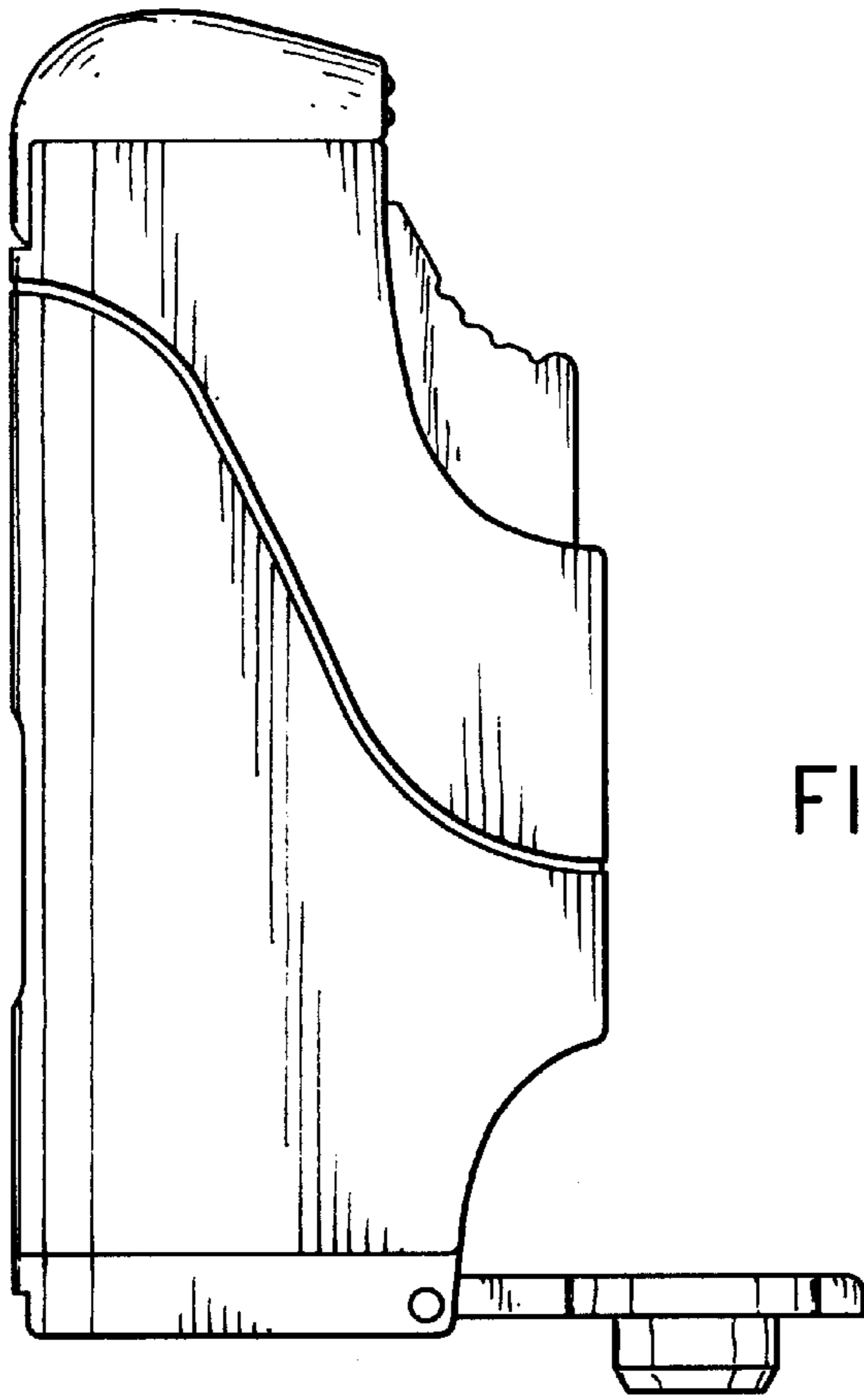


FIG. 10

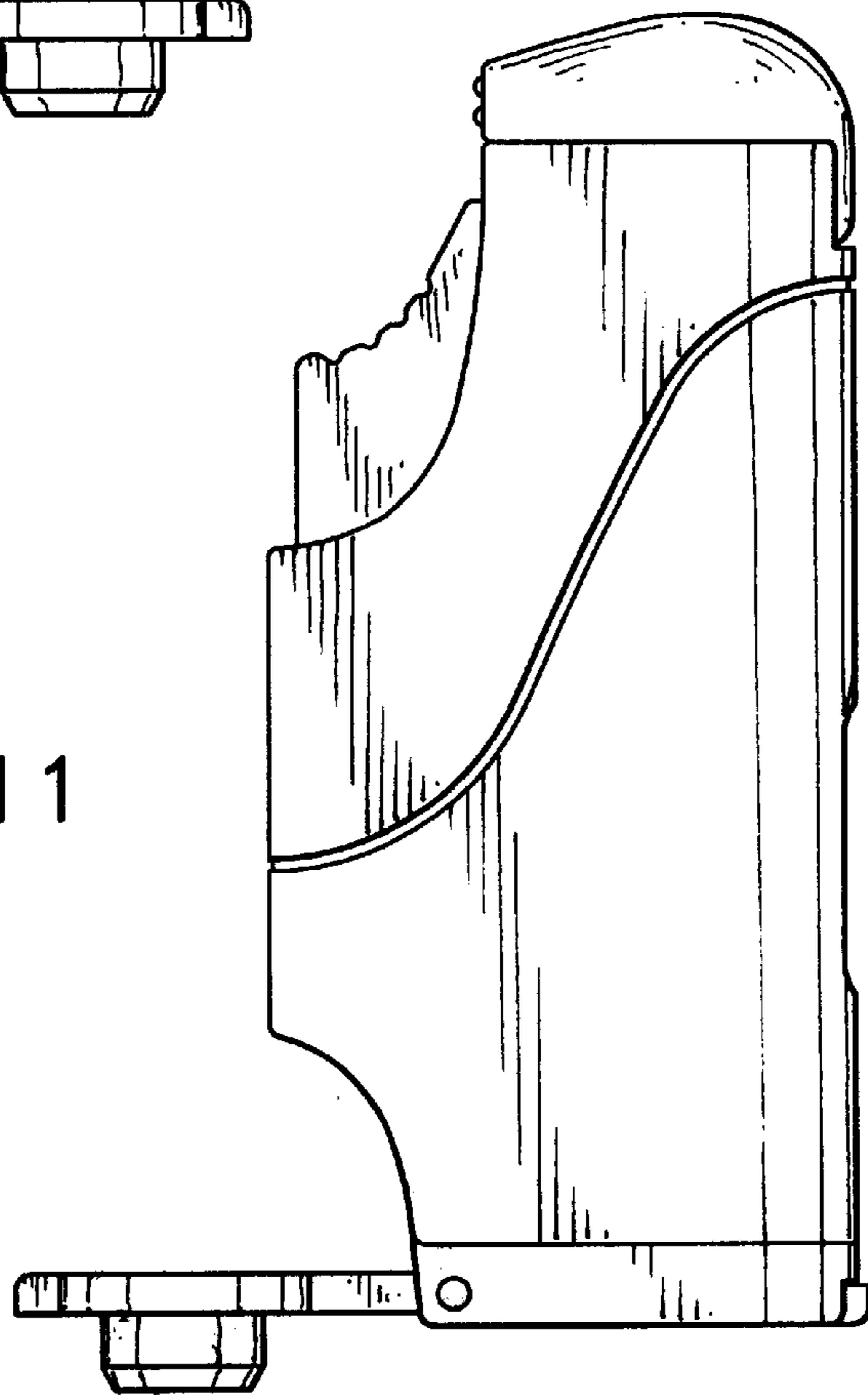


FIG. 11

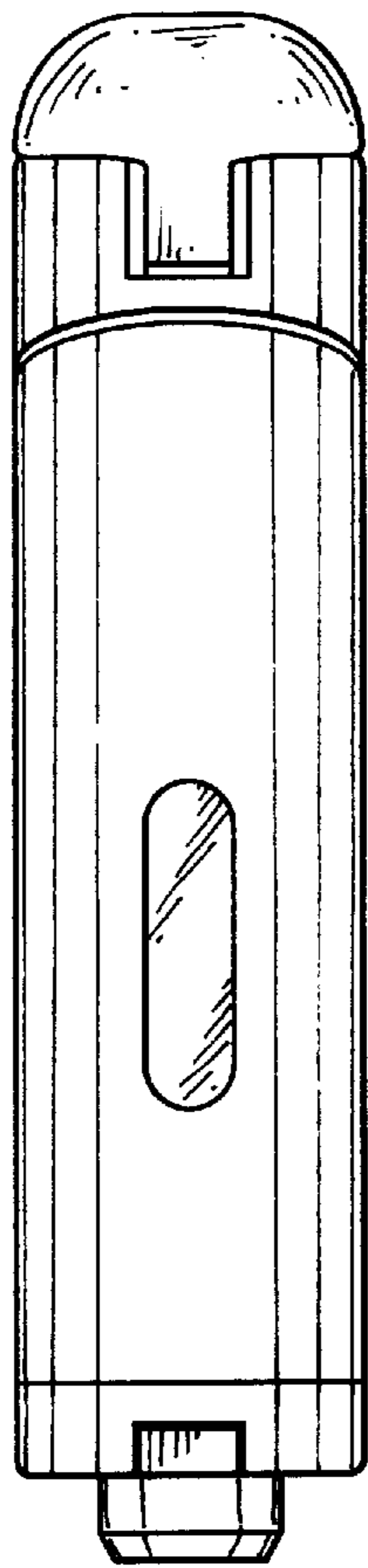


FIG. 12

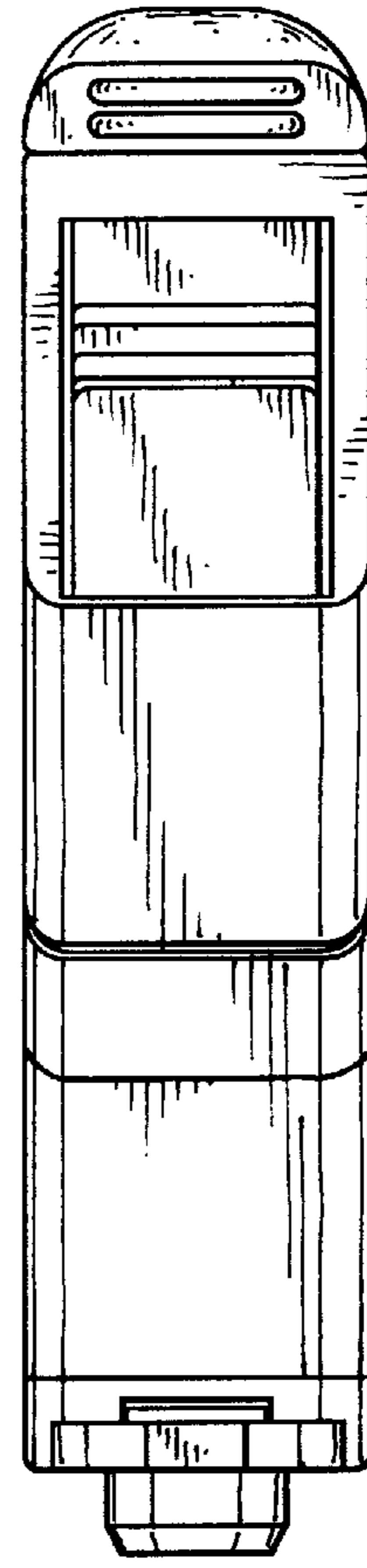


FIG. 13

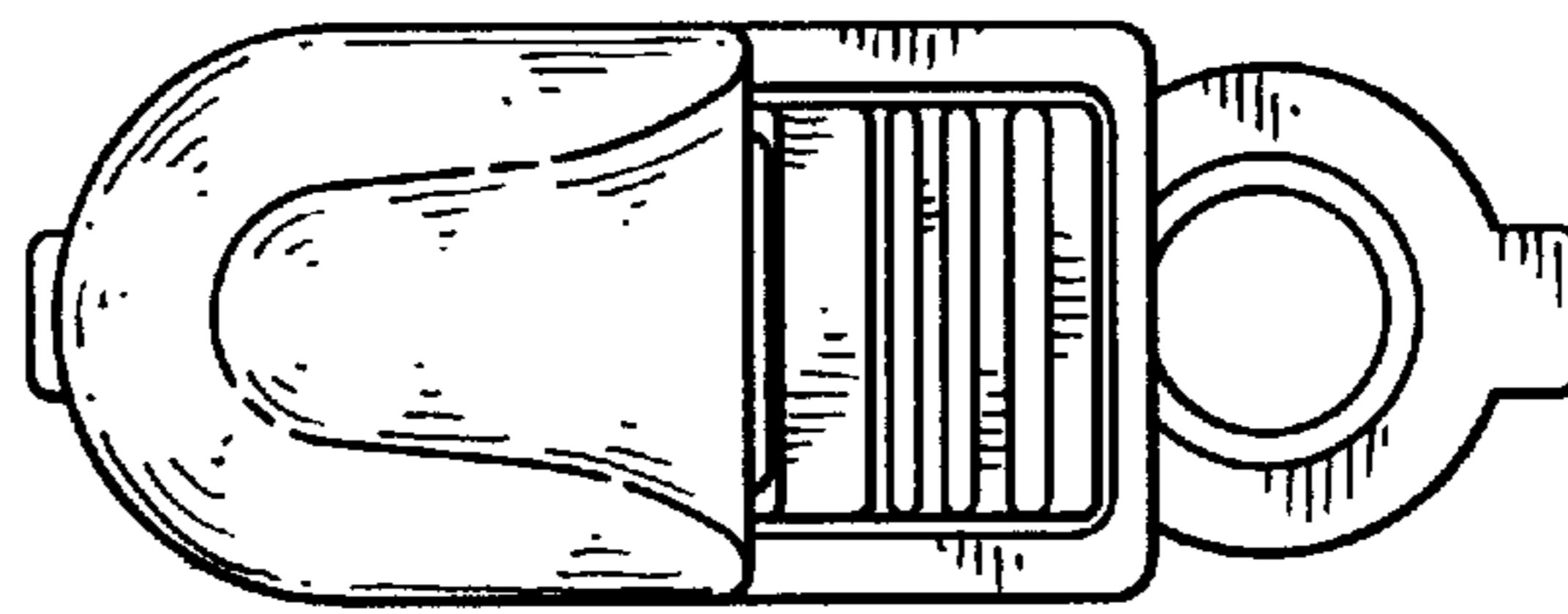


FIG. 14

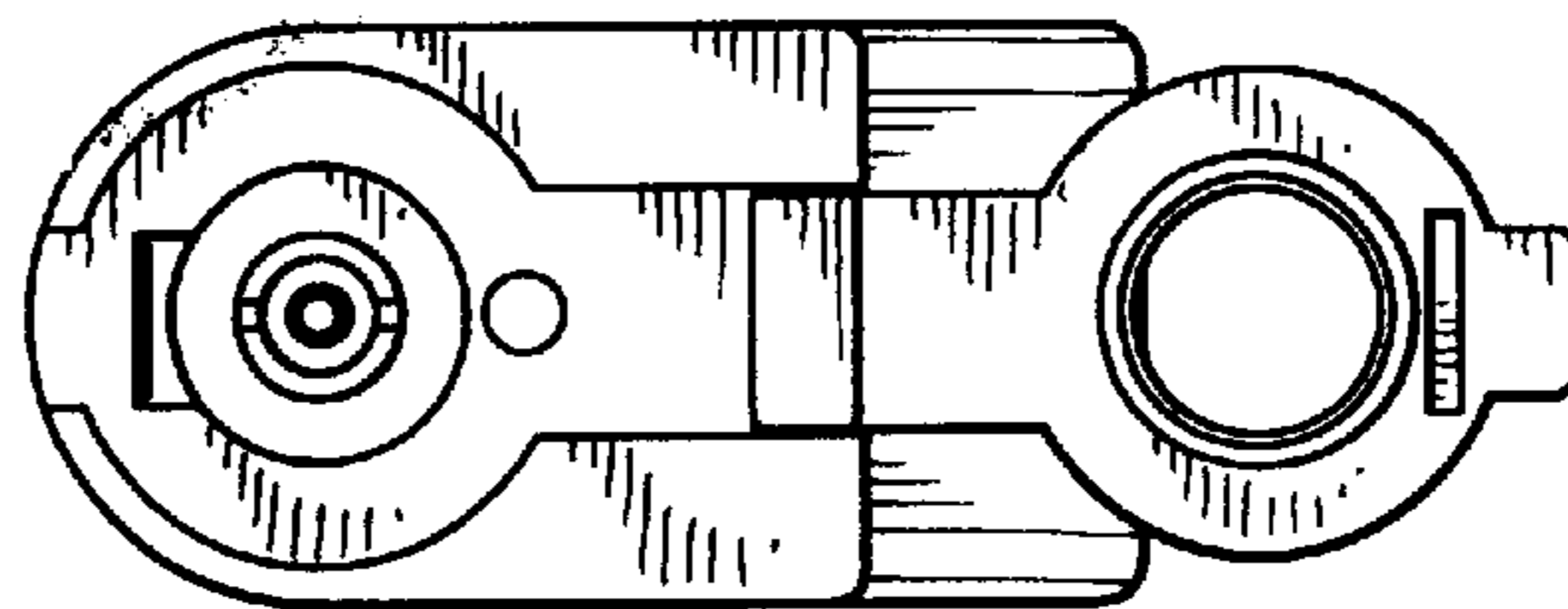


FIG. 15