



US00D457255S

(12) **United States Design Patent**
Cole

(10) **Patent No.:** **US D457,255 S**

(45) **Date of Patent:** **** May 14, 2002**

(54) **WINDOW COMPONENT EXTRUSION**

D430,310 S 8/2000 Franson et al.

(75) Inventor: **Douglas L. Cole**, Seattle, WA (US)

* cited by examiner

(73) Assignee: **Mikron Industries, Inc.**, Kent, WA (US)

Primary Examiner—Doris Clark

(74) *Attorney, Agent, or Firm*—Richardson & Folise

(**) Term: **14 Years**

(57) **CLAIM**

The ornamental design for a window component extrusion, as shown and described.

(21) Appl. No.: **29/139,785**

(22) Filed: **Apr. 4, 2001**

DESCRIPTION

(51) **LOC (7) Cl.** **25-01**

FIG. 1 is a top right perspective view of the window component extrusion which is broken in the center indicating indefinite length.

(52) **U.S. Cl.** **D25/124**

FIG. 2 is a bottom left perspective view of the window component extrusion shown in FIG. 1.

(58) **Field of Search** D25/124, 119, D25/52, 60; 52/730.3, 656.6, 204.5, 204.56, 204.51, 730, 205.1, 202; 49/501, 504, DIG. 2, 404, 413, 419, 407, 408

FIG. 3 is a top right perspective view of a second embodiment of the window component extrusion which is broken in the center indicating indefinite length; and,

FIG. 4 is a bottom left perspective view of the window component extrusion shown in FIG. 3.

(56) **References Cited**

U.S. PATENT DOCUMENTS

D384,425 S * 9/1997 Goss et al. D25/124

1 Claim, 2 Drawing Sheets

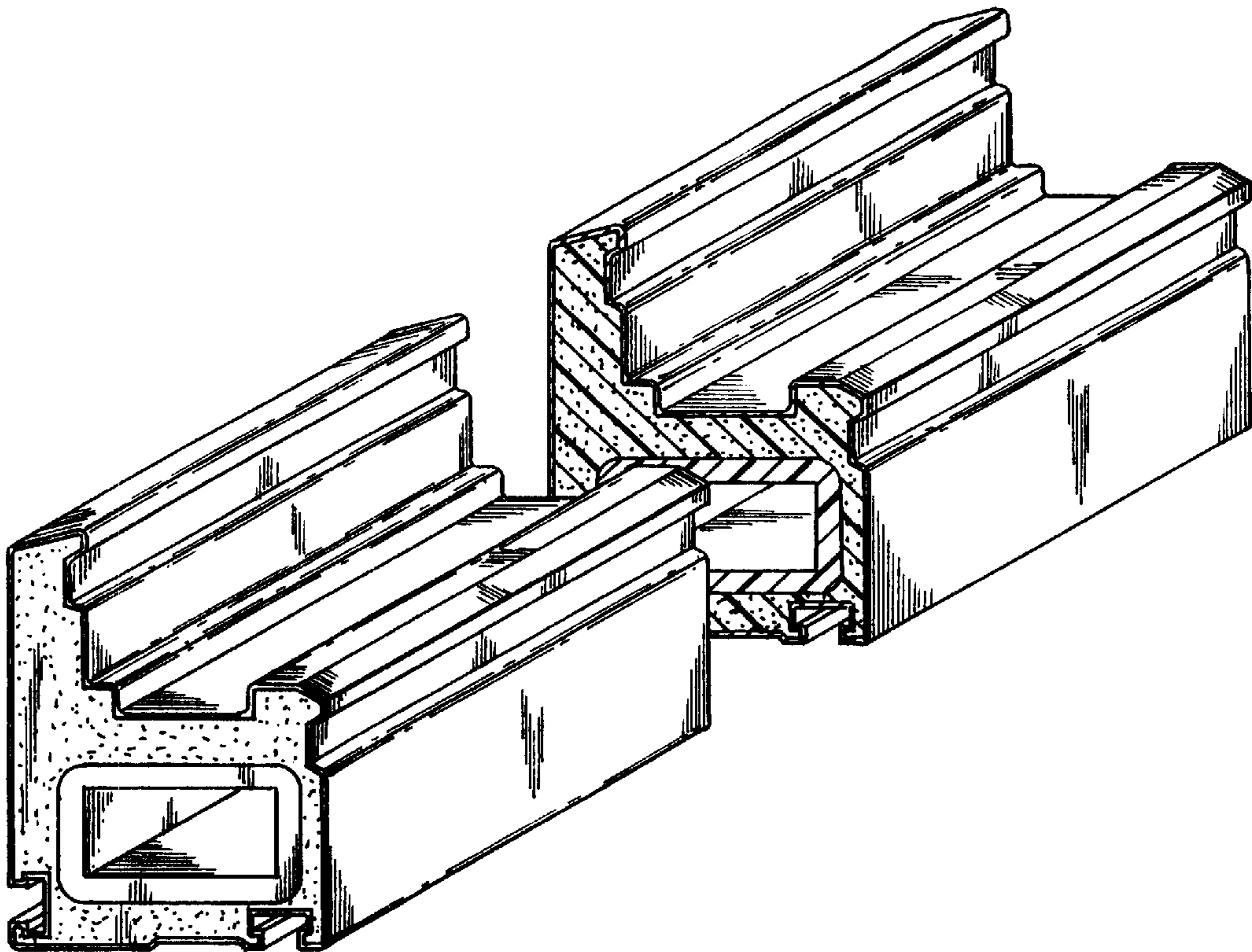


FIG. 1

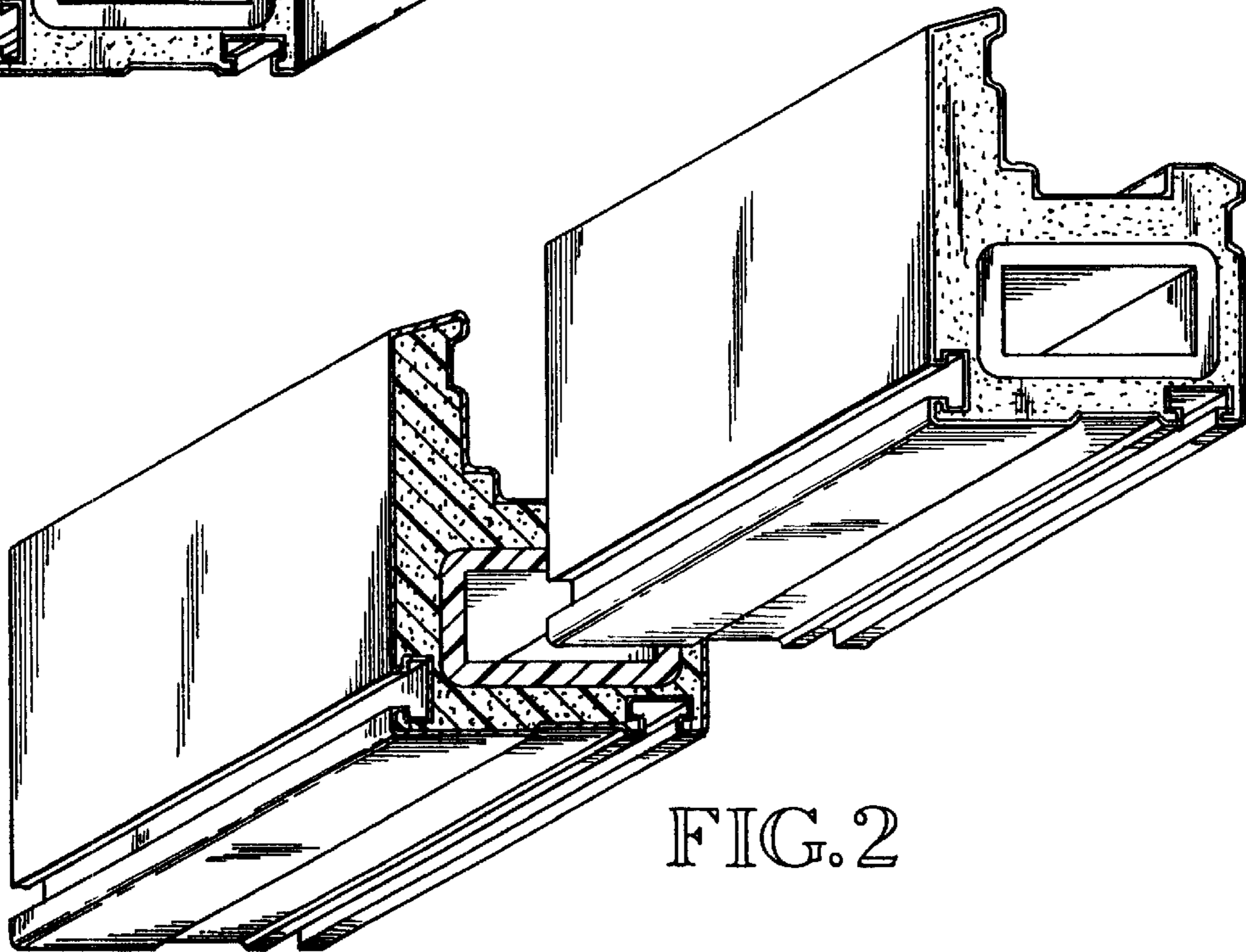
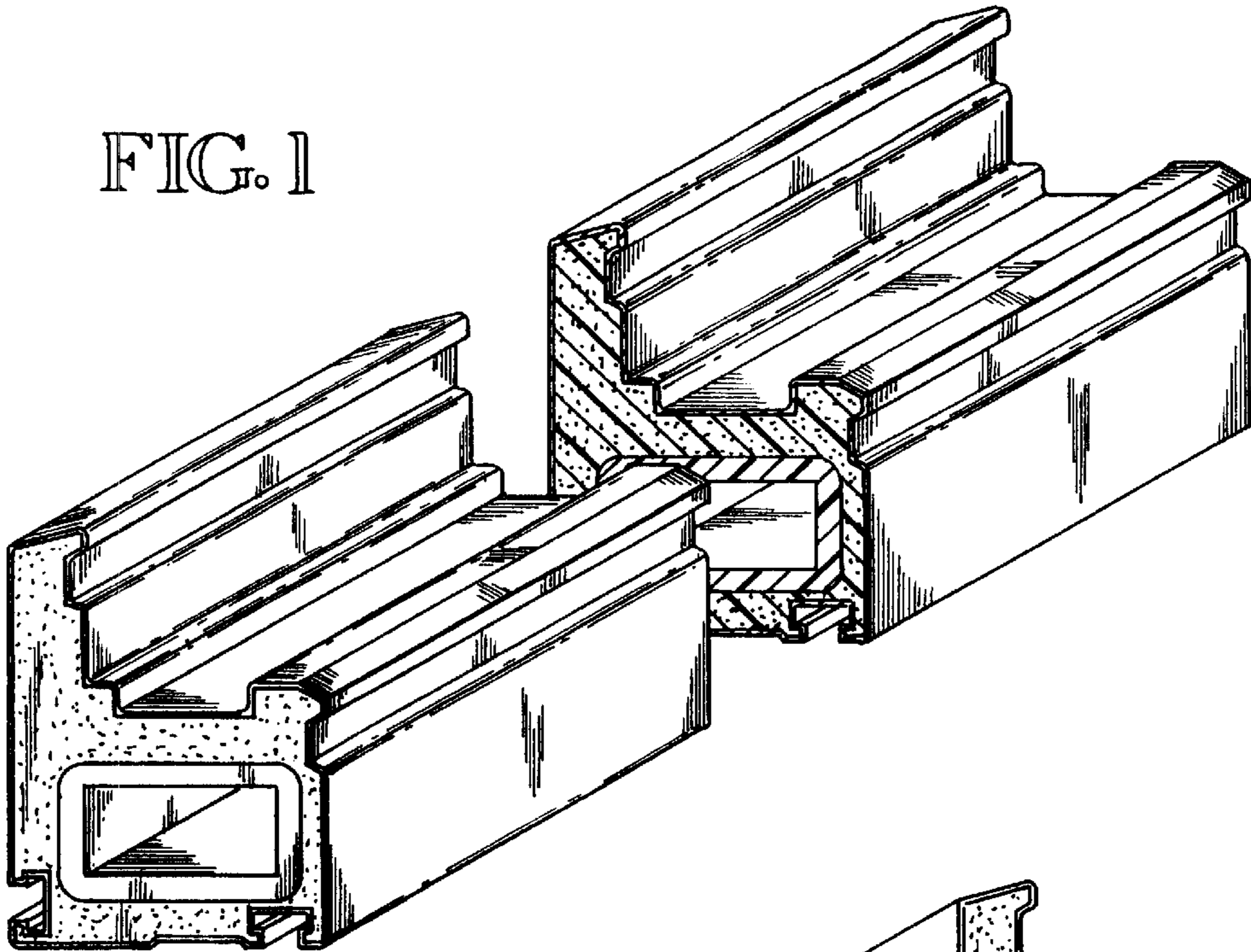


FIG. 2

FIG. 3

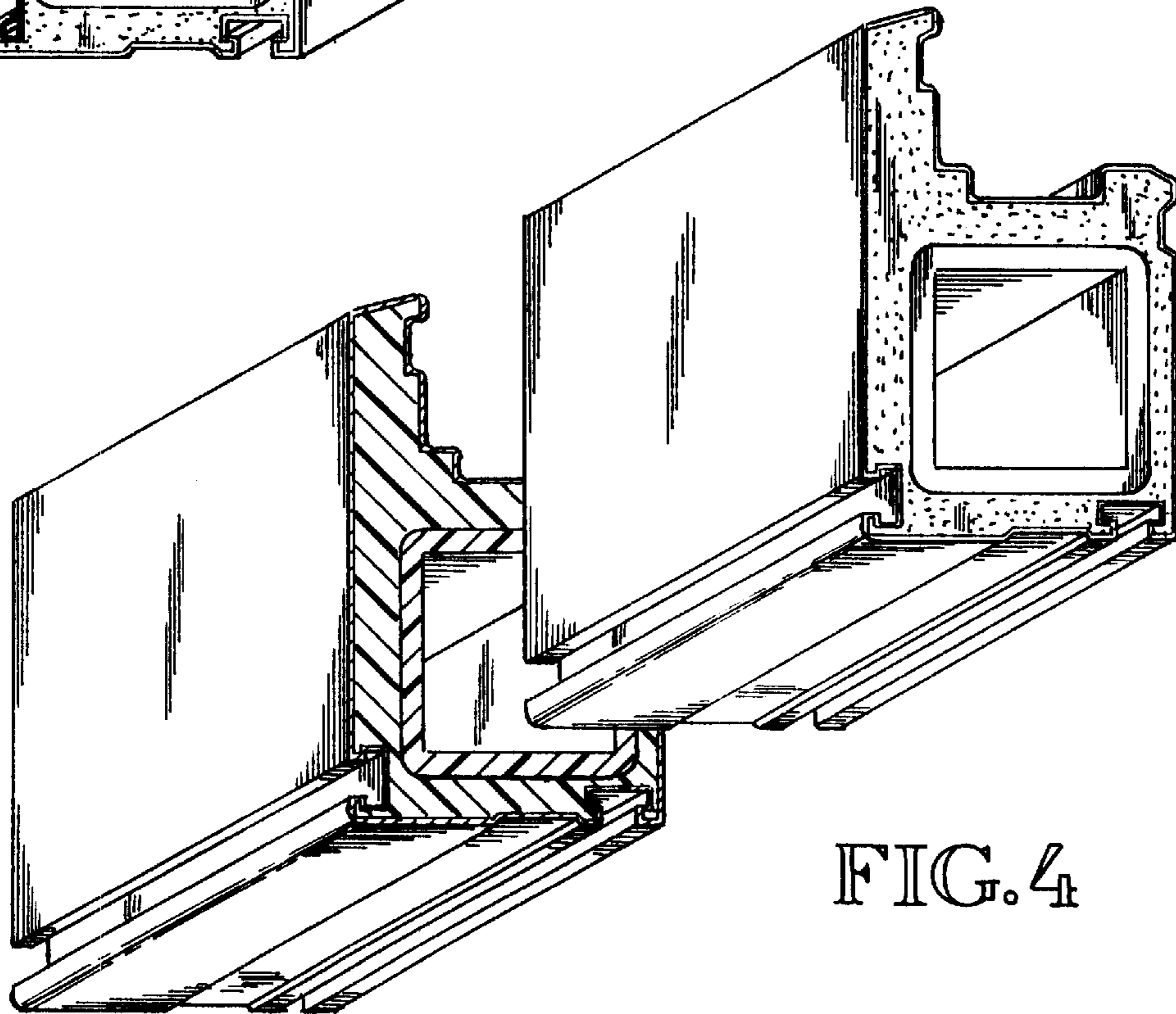
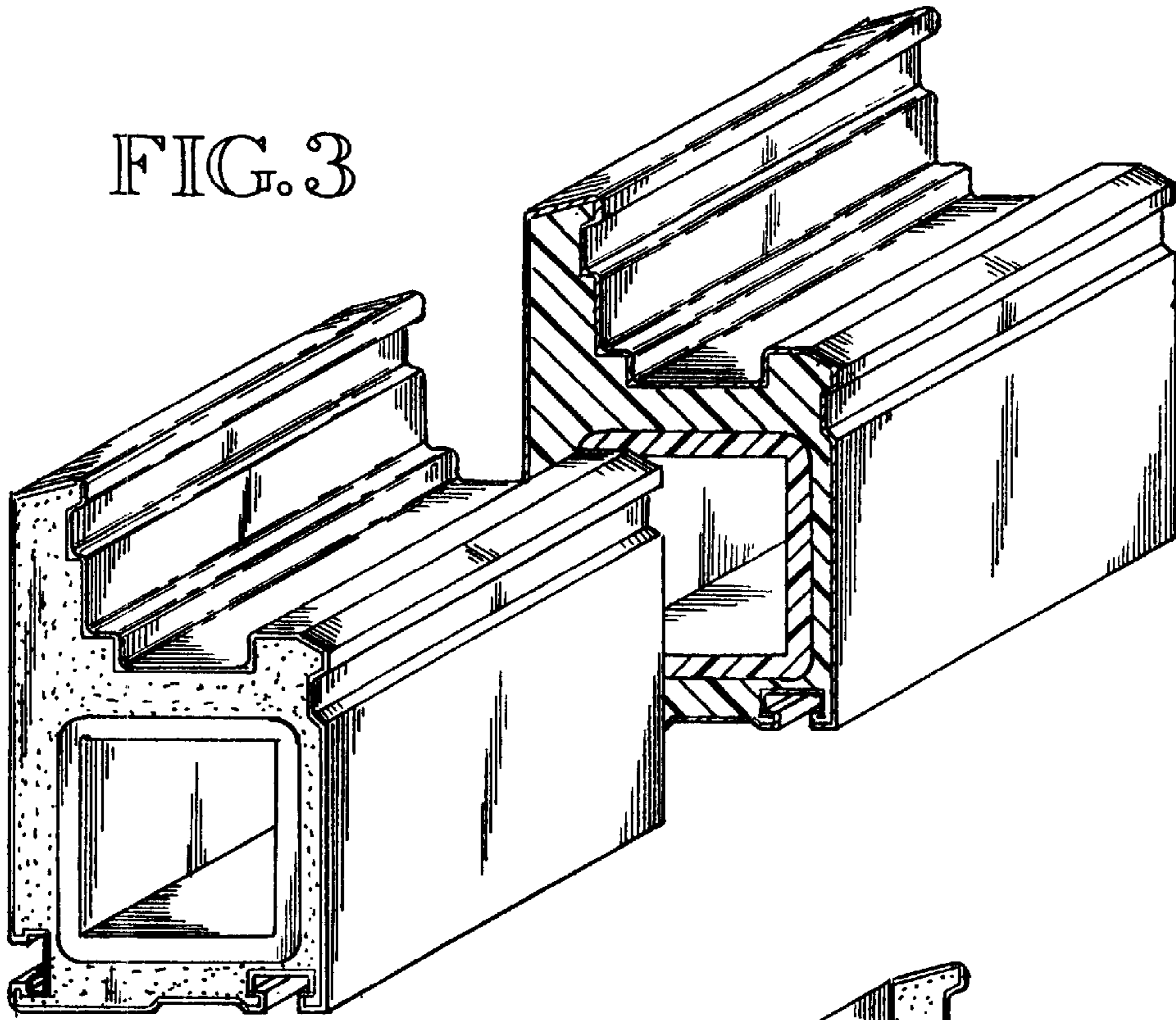


FIG. 4