



US00D457248S

(12) **United States Design Patent**
Hahs et al.

(10) **Patent No.:** **US D457,248 S**

(45) **Date of Patent:** **** May 14, 2002**

(54) **CASSETTE SLEEVE**

(75) Inventors: **Michael Hahs**, San Clemente; **Su-Syin Wu**, Irvine; **Edward V. Quoss**, Claremont, all of CA (US)

(73) Assignee: **Ethicon, Inc.**, Somerville, NJ (US)

(**) Term: **14 Years**

(21) Appl. No.: **29/134,169**

(22) Filed: **Dec. 15, 2000**

(51) **LOC (7) Cl.** **24-02**

(52) **U.S. Cl.** **D24/224; D24/225**

(58) **Field of Search** D24/224, 127, D24/128, 225, 216; 422/100, 99, 102, 104, 101, 66; 206/368, 366, 370, 569

(56) **References Cited**

U.S. PATENT DOCUMENTS

3,756,384 A	9/1973	Stone	
4,817,800 A	4/1989	Williams et al.	
D306,065 S	2/1990	Williams et al.	
D306,066 S	2/1990	Williams et al.	
4,899,519 A	2/1990	Williams et al.	
4,919,894 A *	4/1990	Daniel	422/104
D307,794 S	5/1990	Williams et al.	
5,016,262 A	5/1991	Cushing	
D331,806 S *	12/1992	Sodergren	D24/224

5,691,530 A 11/1997 Solitt
5,882,611 A 3/1999 Williams et al.
5,887,716 A 3/1999 Williams et al.

* cited by examiner

Primary Examiner—Ian Simmons

(57) **CLAIM**

We claim the ornamental design for cassette sleeve, as shown.

DESCRIPTION

FIG. 1 is a perspective view of a cassette sleeve according to the present invention as seen from the top, front and left sides;

FIG. 2 is a top plan view thereof;

FIG. 3 is a left side elevational view thereof;

FIG. 4 is a right side elevational view thereof;

FIG. 5 is a bottom plan view thereof;

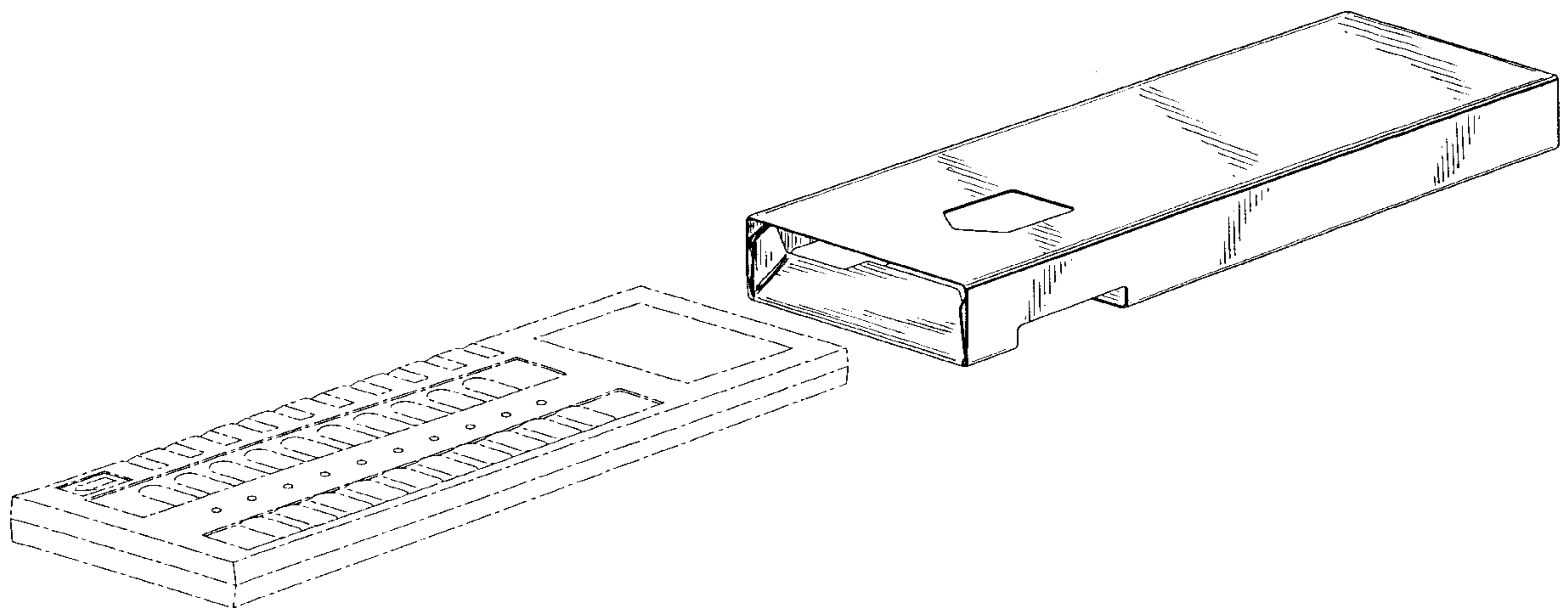
FIG. 6 is a front elevational view thereof;

FIG. 7 is a rear elevational view thereof;

FIG. 8 is an enlarged fragmentary perspective view of the front end of the cassette sleeve thereof showing folded tabs thereon; and,

FIG. 9 is a perspective view similar to FIG. 1 wherein the broken line representation is for environmental purposes only and does not constitute a part of the claimed design.

1 Claim, 7 Drawing Sheets



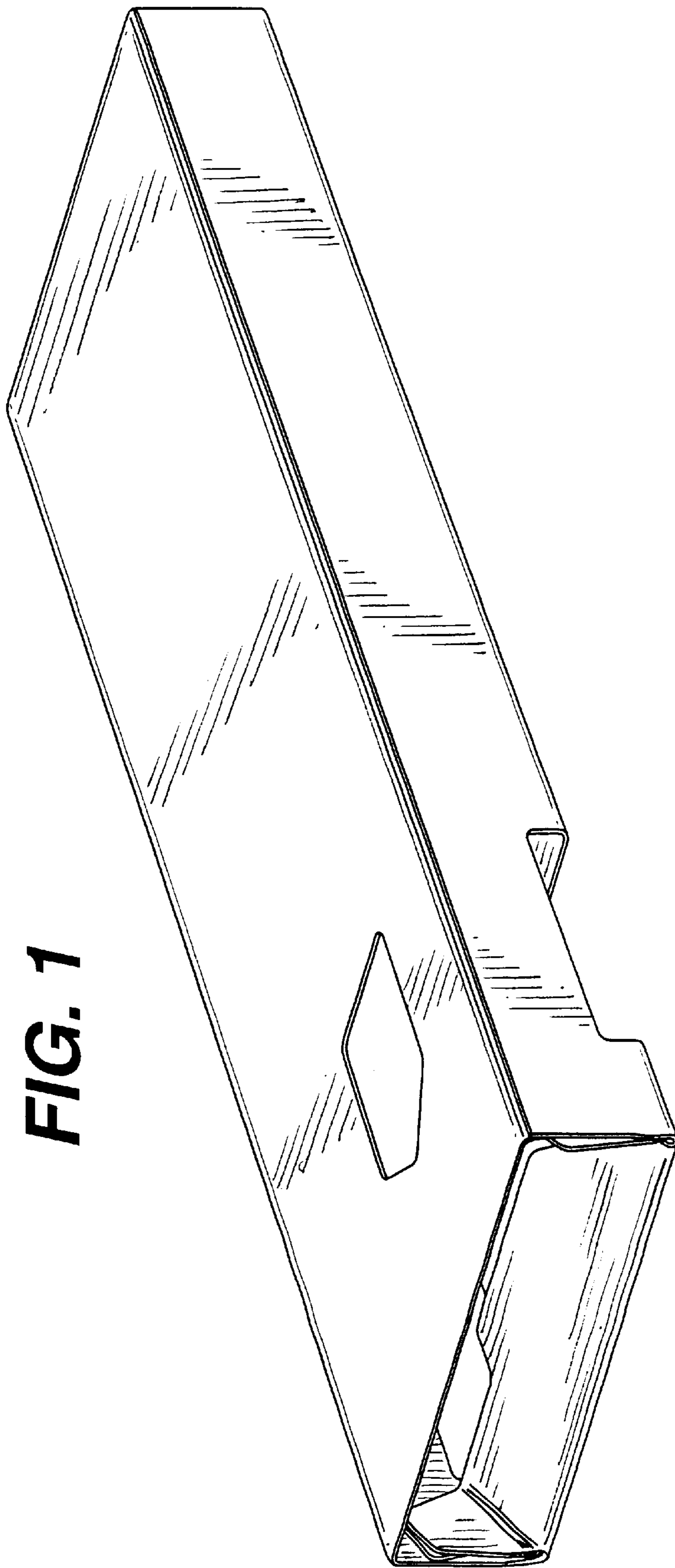


FIG. 1

FIG. 2

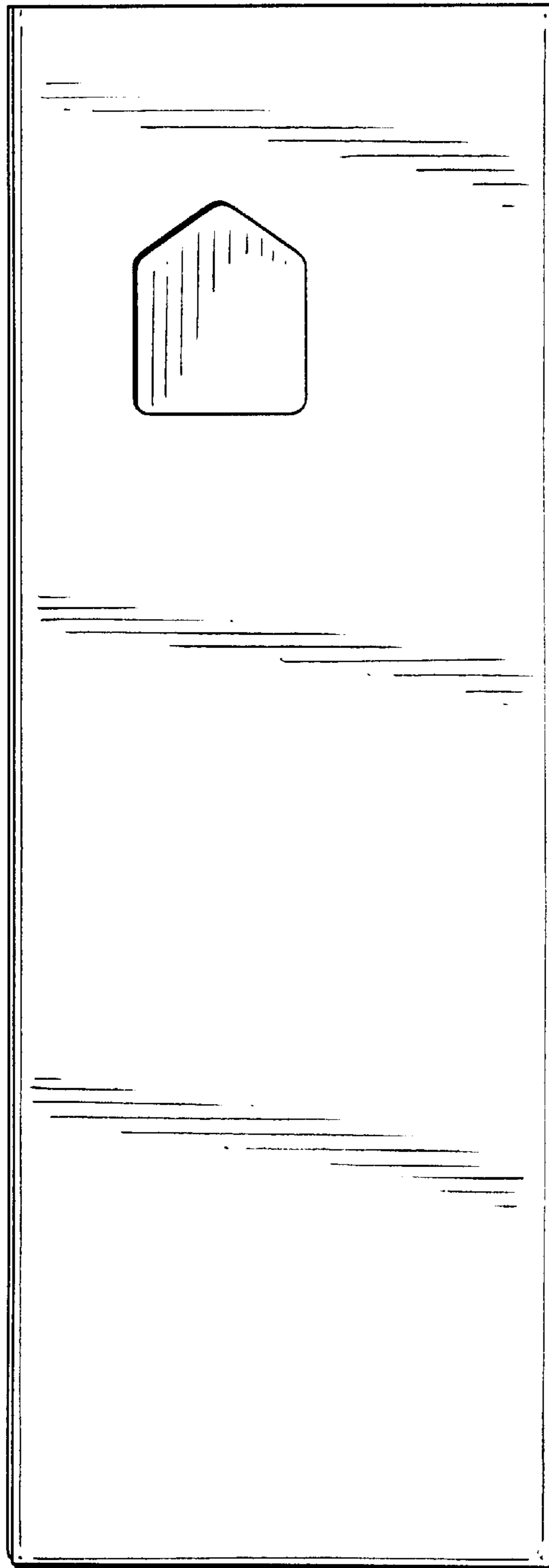


FIG. 3

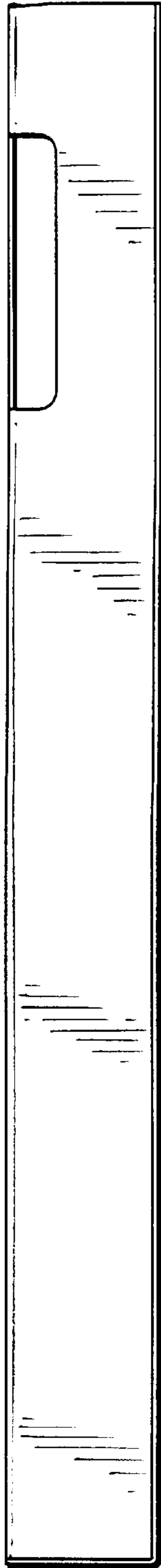


FIG. 4

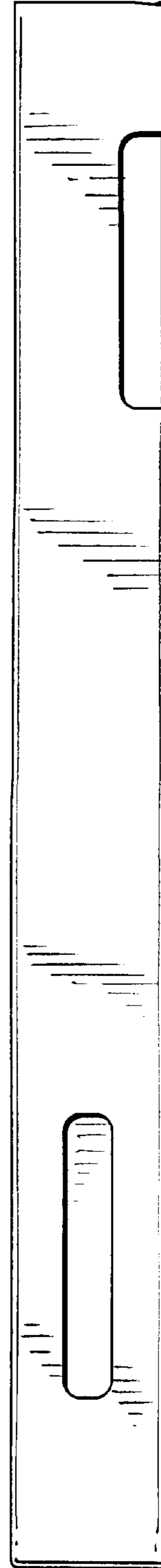


FIG. 5

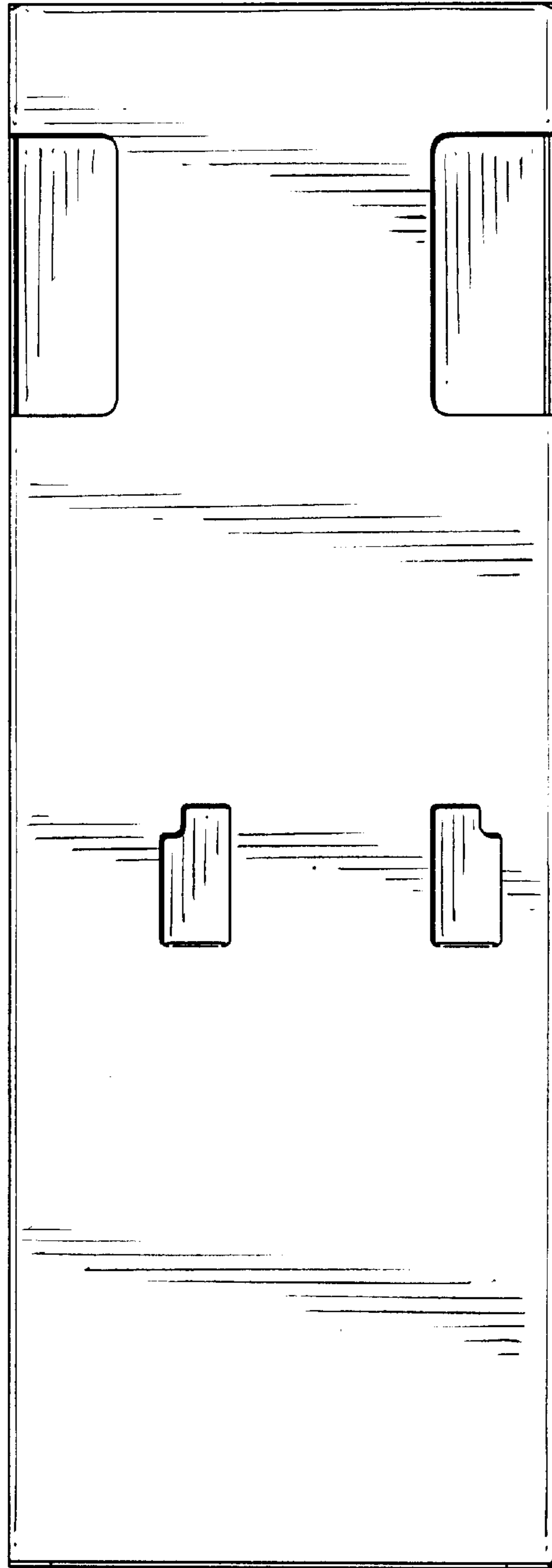


FIG. 6

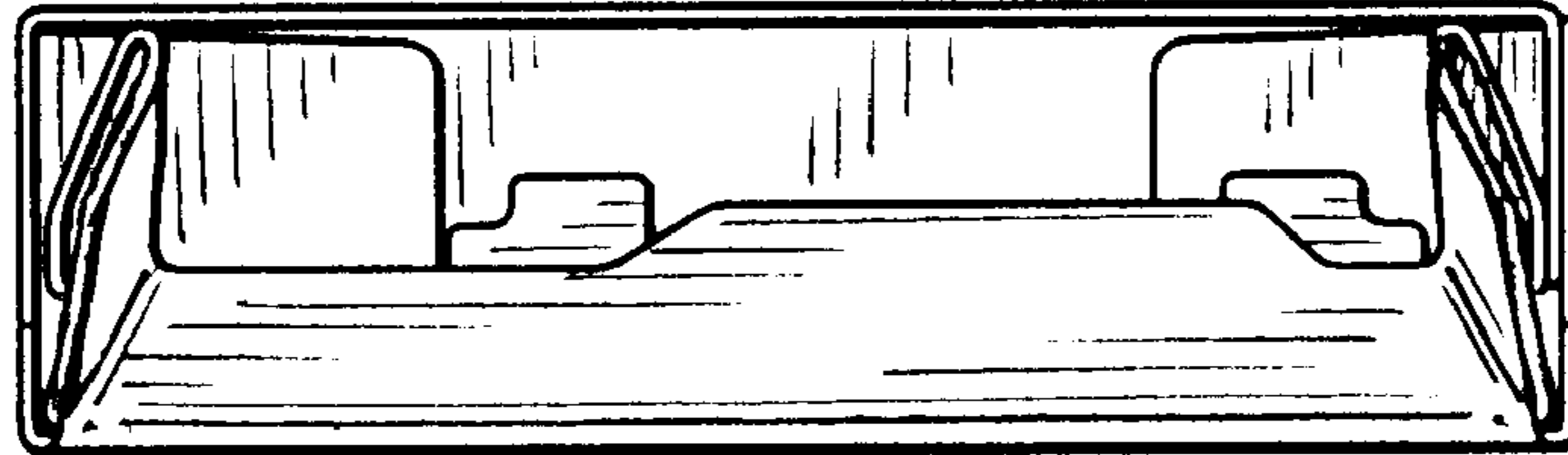


FIG. 7

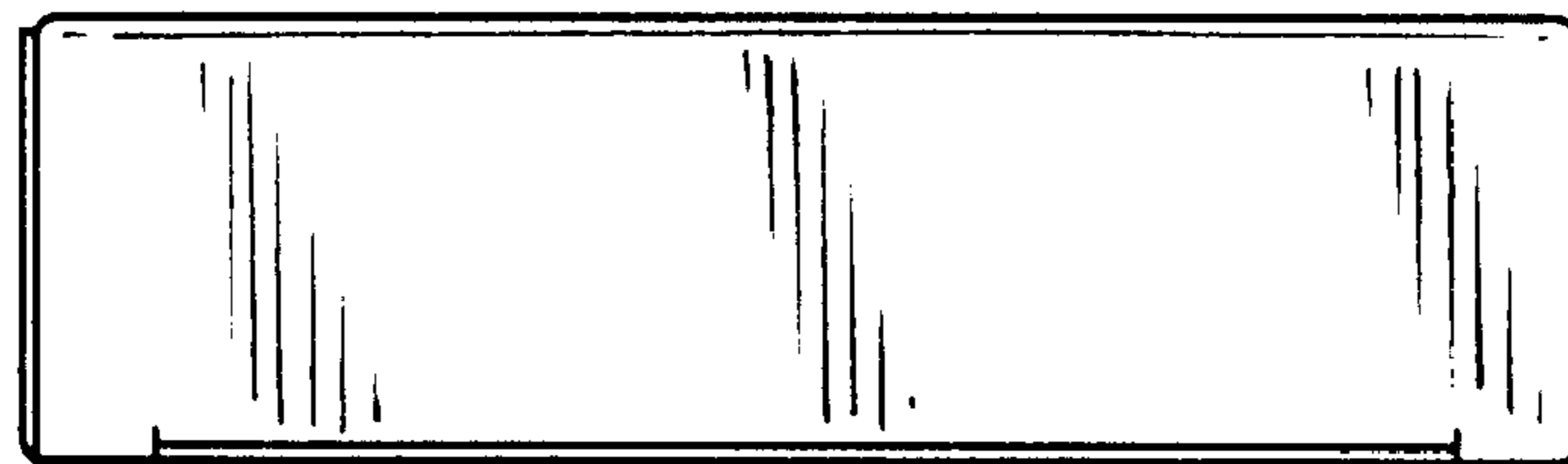
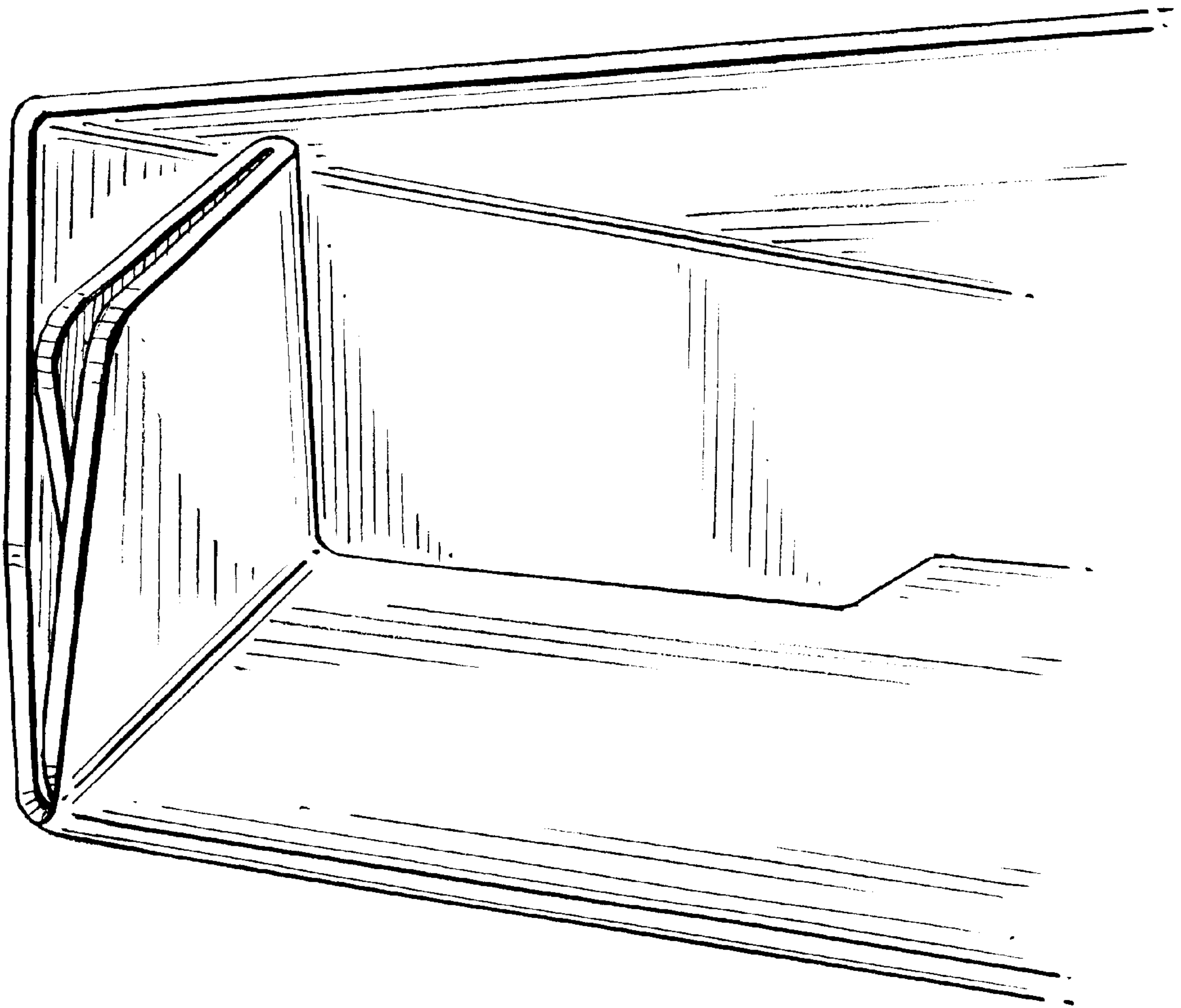


FIG. 8



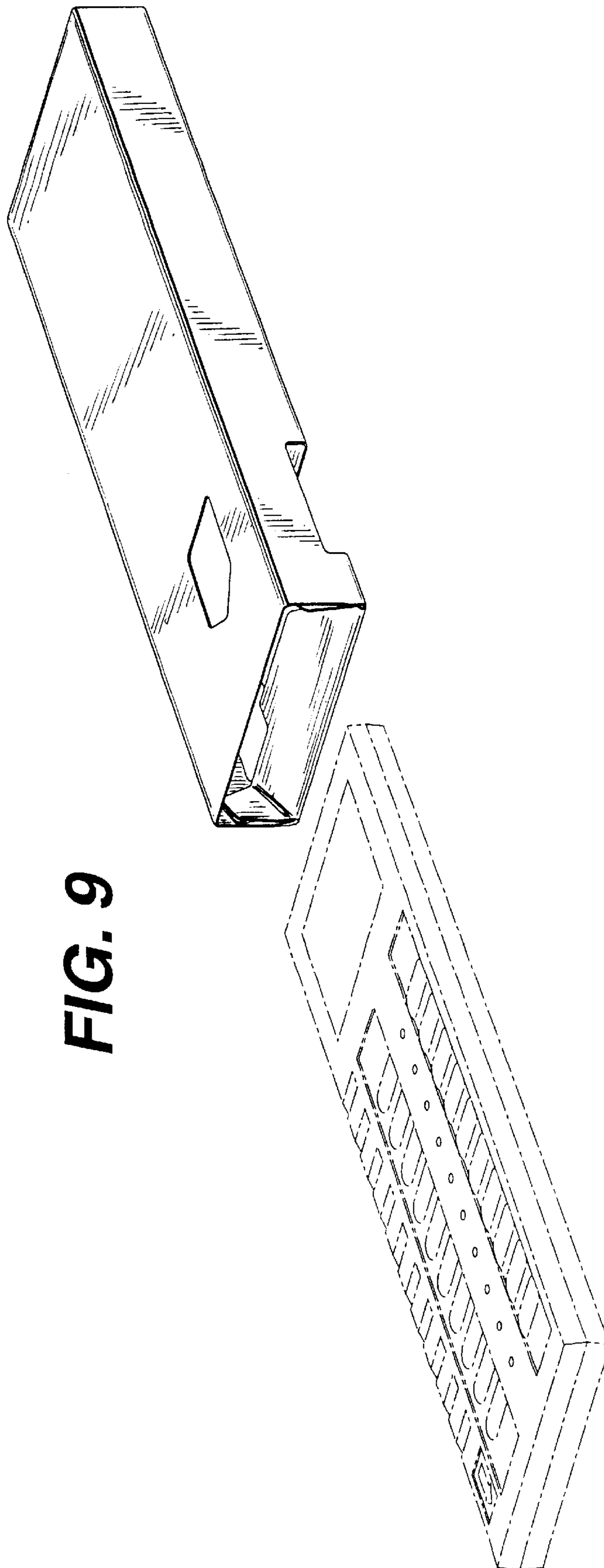


FIG. 9