



US00D457245S

(12) **United States Design Patent**
Royal et al.

(10) **Patent No.:** **US D457,245 S**
(45) **Date of Patent:** **** May 14, 2002**

(54) **CAP FOR TOP OR BOTTOM OF A BABY BOTTLE**

(76) Inventors: **Agnes Royal; Thomas Branch**, both of
P.O. Box 44593, Philadelphia, PA (US)
19144

(**) Term: **14 Years**

(21) Appl. No.: **29/134,774**

(22) Filed: **Jan. 2, 2001**

(51) **LOC (7) Cl.** **07-01**

(52) **U.S. Cl.** **D24/197**

(58) **Field of Search** D24/199, 197;
215/11.1, 11.2, 11.3, 11.4, 11.5, 11.6, 13.1,
10, 12.1

(56) **References Cited**

U.S. PATENT DOCUMENTS

| | | | | | | |
|-----------|---|---|---------|--------------|-------|----------|
| D126,093 | S | * | 3/1941 | Lockwood | | D24/199 |
| D227,513 | S | * | 6/1973 | Moody | | D24/199 |
| 4,456,134 | A | * | 6/1984 | Cooper | | 215/341 |
| 4,623,068 | A | | 11/1986 | Brown et al. | | |
| 4,671,424 | A | * | 6/1987 | Byrns | | 220/408 |
| 4,708,254 | A | * | 11/1987 | Byrns | | 215/13.1 |
| 5,150,801 | A | | 9/1992 | Held | | |

| | | | | | | |
|-----------|---|---|---------|----------------|-------|---------|
| 5,316,160 | A | | 5/1994 | Cautereels | | |
| 5,390,804 | A | * | 2/1995 | Beggins | | 215/386 |
| D356,871 | S | | 3/1995 | Dunn | | |
| D367,006 | S | | 2/1996 | Schauer et al. | | |
| D368,138 | S | * | 3/1996 | Hamilton | | D24/197 |
| D385,041 | S | * | 10/1997 | Sanfilippo | | D24/197 |
| D407,496 | S | | 3/1999 | Varlet | | |

* cited by examiner

Primary Examiner—Stella Reid

(57) **CLAIM**

The ornamental design for a cap for top or bottom of a baby bottle, as shown and described.

DESCRIPTION

FIG. 1 is a perspective view of a cap for top or bottom of a baby bottle, showing our new design, on the top of the a baby bottle;

FIG. 2 is a perspective view of a thereof, on the bottom of a baby bottle;

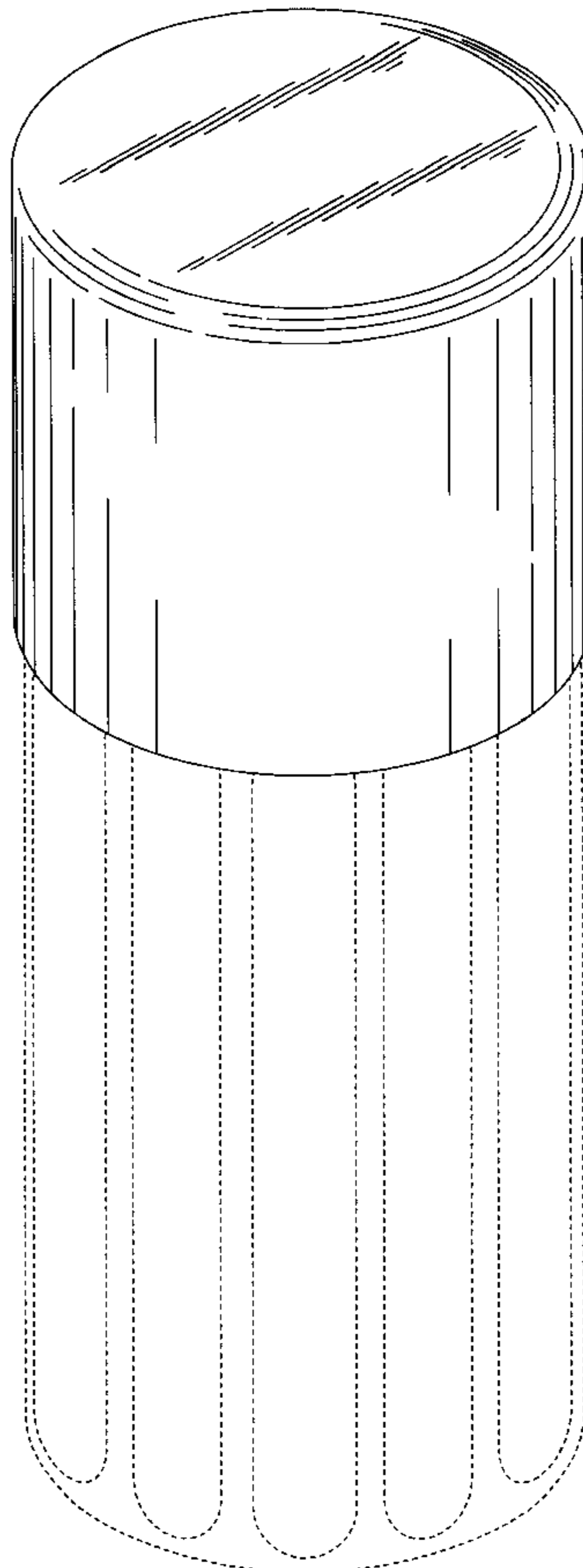
FIG. 3 is a side elevational view thereof;

FIG. 4 is a top plan view thereof; and,

FIG. 5 is a bottom plan view.

The broken line showing of a baby bottle is for illustrative purposes only and forms no part of the claimed design.

1 Claim, 3 Drawing Sheets



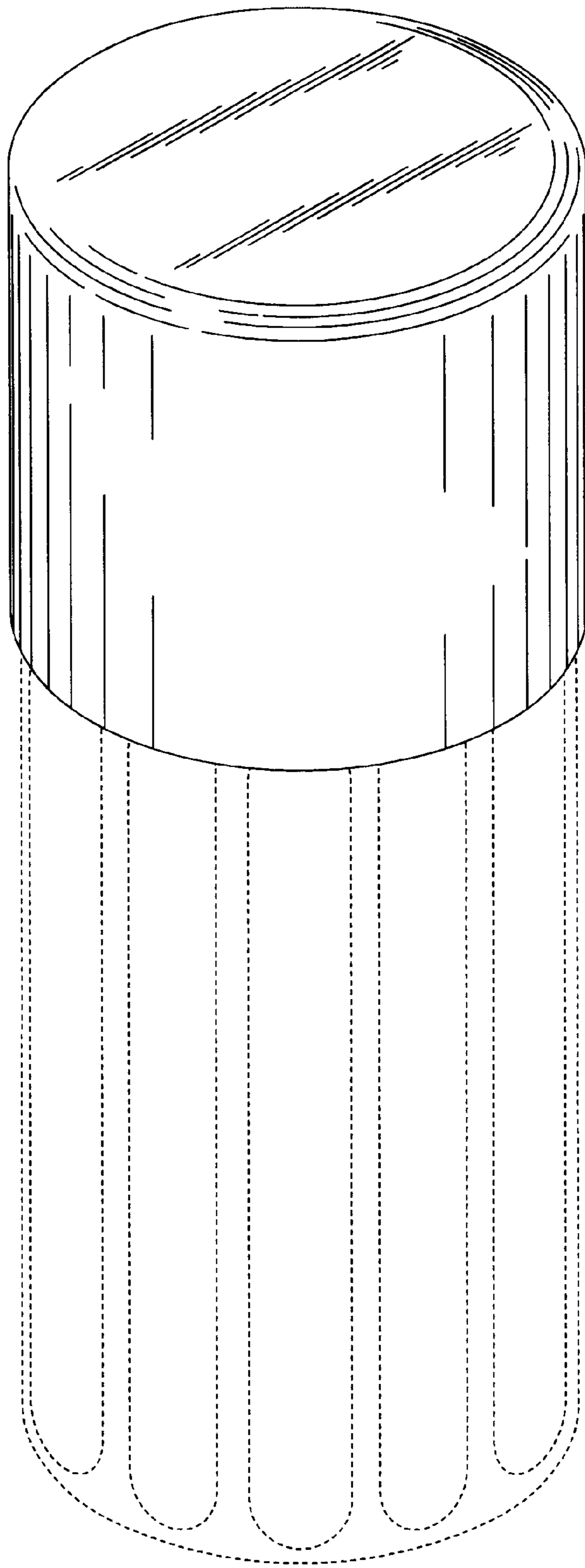


Fig. 1

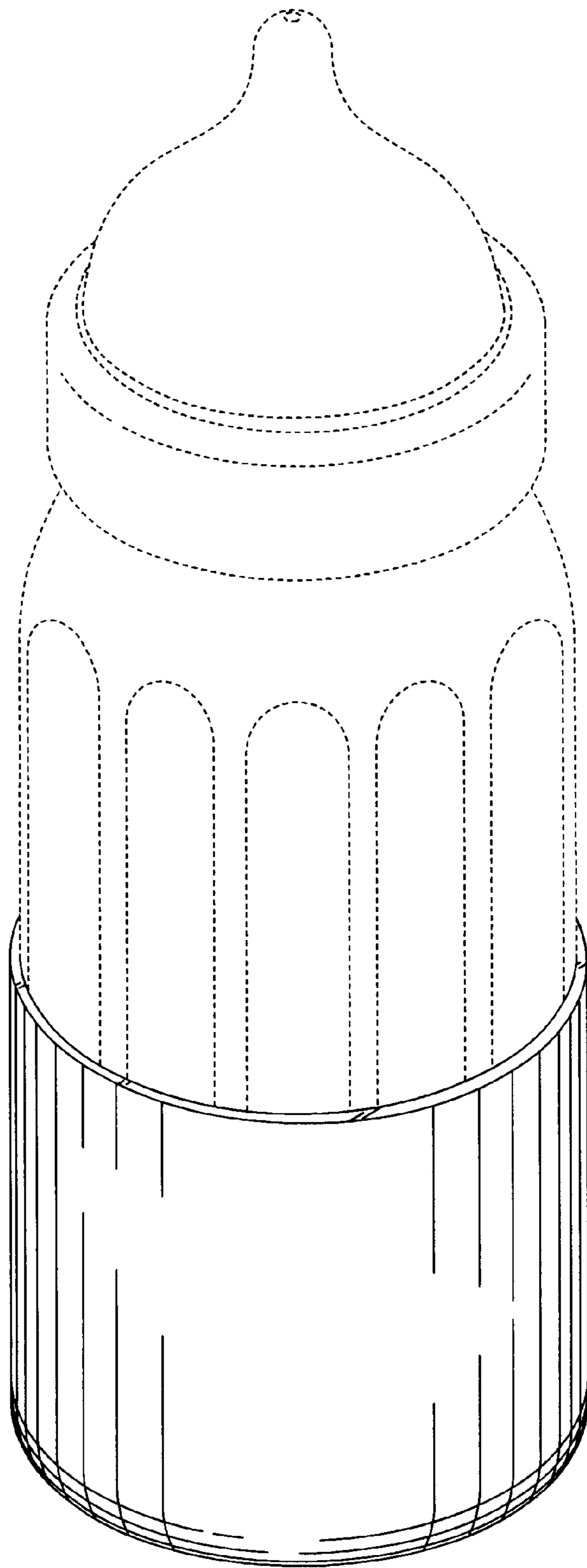


Fig. 2

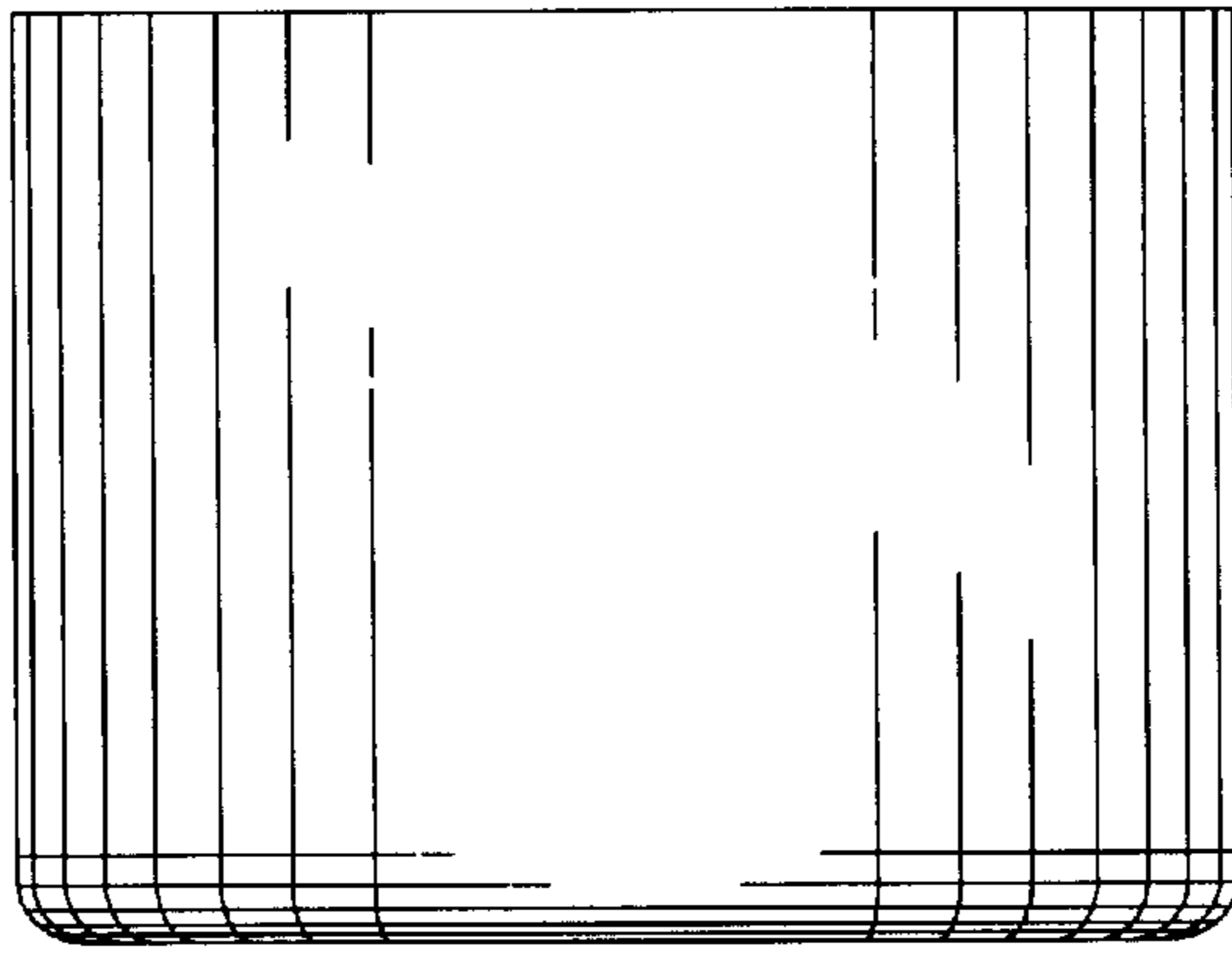


Fig. 3

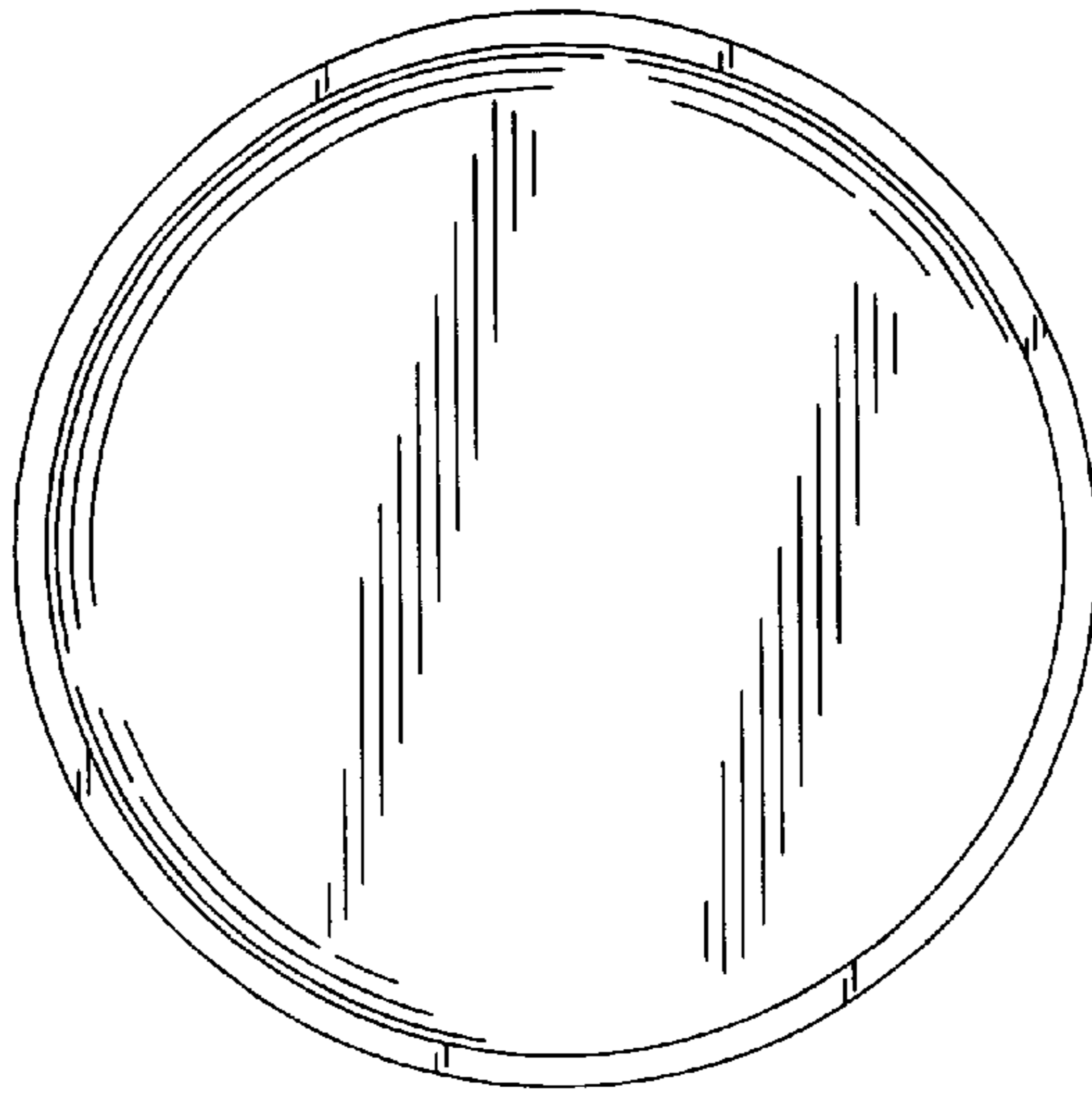


Fig. 4

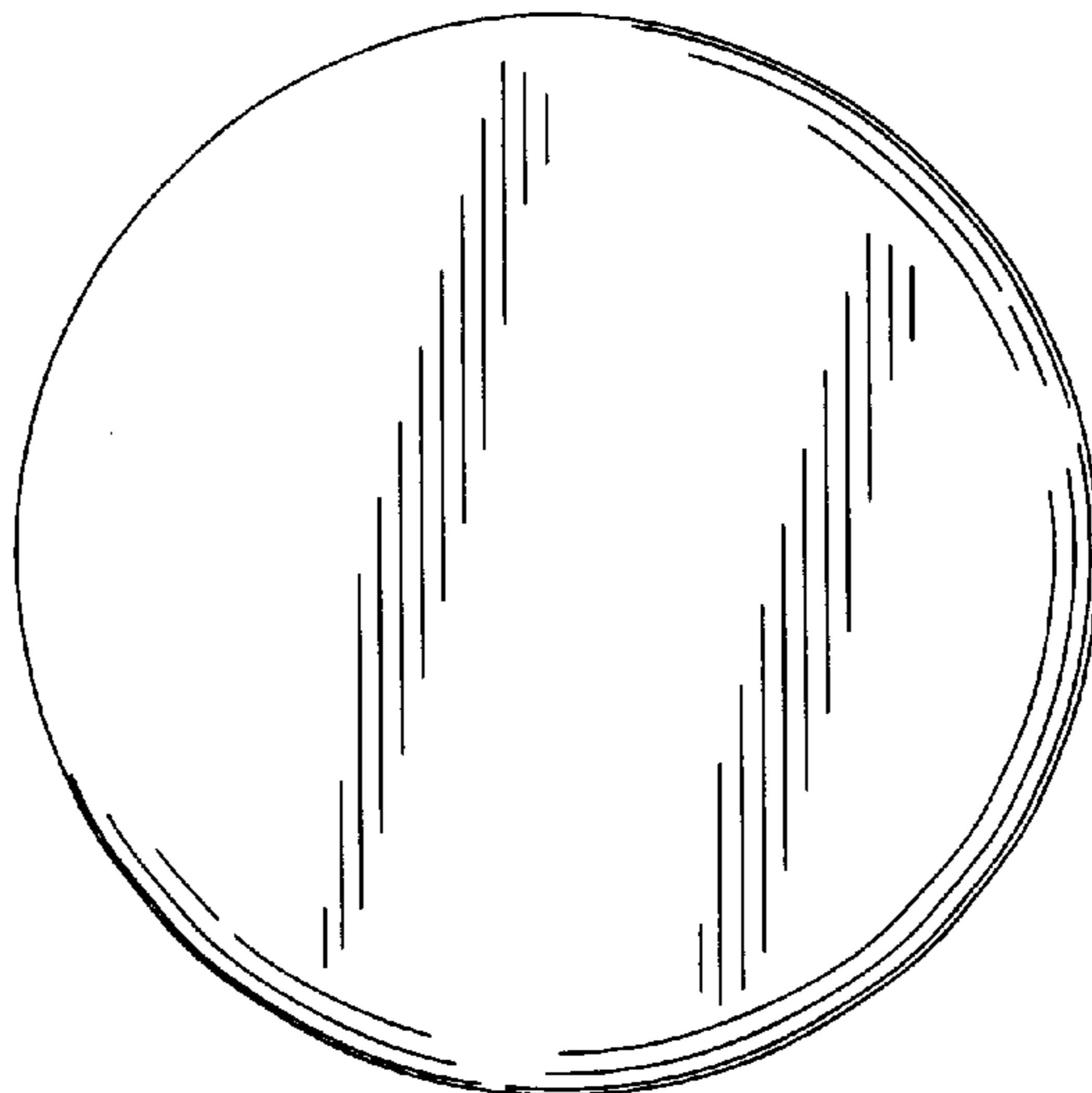


Fig. 5