



US00D457239S

(12) **United States Design Patent**
Kunik

(10) **Patent No.: US D457,239 S**

(45) **Date of Patent: ** *May 14, 2002**

(54) **POLE APPARATUS FOR HANGING
INTRAVENOUS BAGS OR OTHER SIMILAR
DEVICES**

5,458,305 A * 10/1995 Woodward 248/121
D390,952 S 2/1998 Ward et al.
D390,953 S * 2/1998 Ward et al. D24/128

(76) Inventor: **Burton J. Kunik**, 3350 McCue #2201,
Houston, TX (US) 77056

* cited by examiner

(*) Notice: This patent is subject to a terminal dis-
claimer.

Primary Examiner—Alan P. Douglas

Assistant Examiner—Reid Hecker

(**) Term: **14 Years**

(74) *Attorney, Agent, or Firm*—Kuffner & Associates

(21) Appl. No.: **29/103,836**

(57) **CLAIM**

(22) Filed: **Apr. 23, 1999**

The ornamental design for a pole apparatus for hanging intravenous bags and other similar devices, as shown and described.

(51) **LOC (7) Cl.** **24-02**

DESCRIPTION

(52) **U.S. Cl.** **D24/128**

FIG. 1 is a perspective view of a pole apparatus for hanging intravenous bags and other similar devices showing my new design;

(58) **Field of Search** D24/128; 248/125.8,
248/129, 170, 121; D6/411

FIG. 2 is a side view thereof;

FIG. 3 is a top view thereof; and,

FIG. 4 is a bottom view thereof.

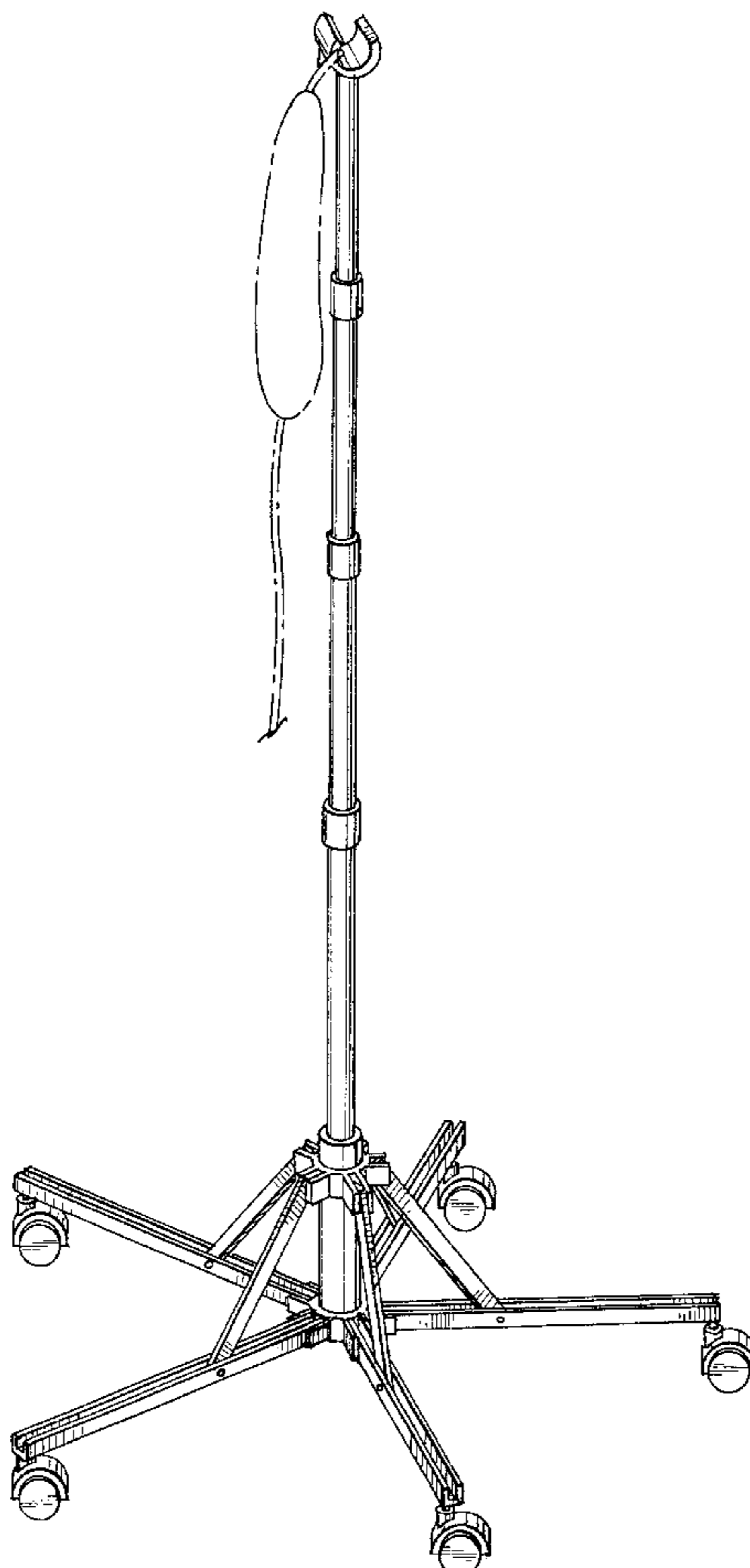
(56) **References Cited**

U.S. PATENT DOCUMENTS

2,646,956 A * 7/1953 Cadwell et al. 248/170
4,744,536 A * 5/1988 Bancalari 248/125.8
4,892,279 A * 1/1990 Lafferty et al. 248/125.8
5,124,857 A * 6/1992 Pitz 248/170

The broken line showing of environmental structure in FIG. 1 is for illustrative purposes only and forms no part of the claimed design.

1 Claim, 3 Drawing Sheets



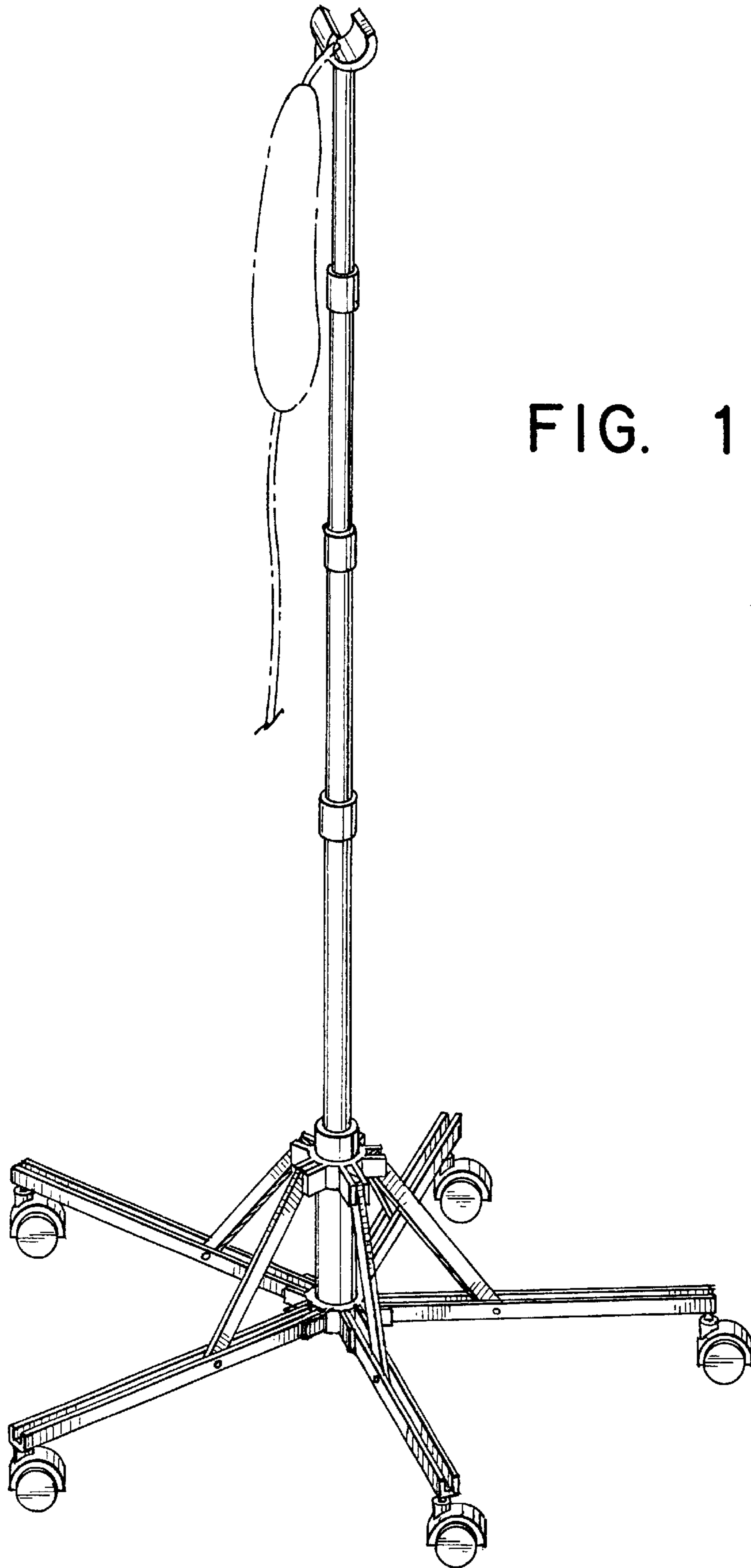


FIG. 1

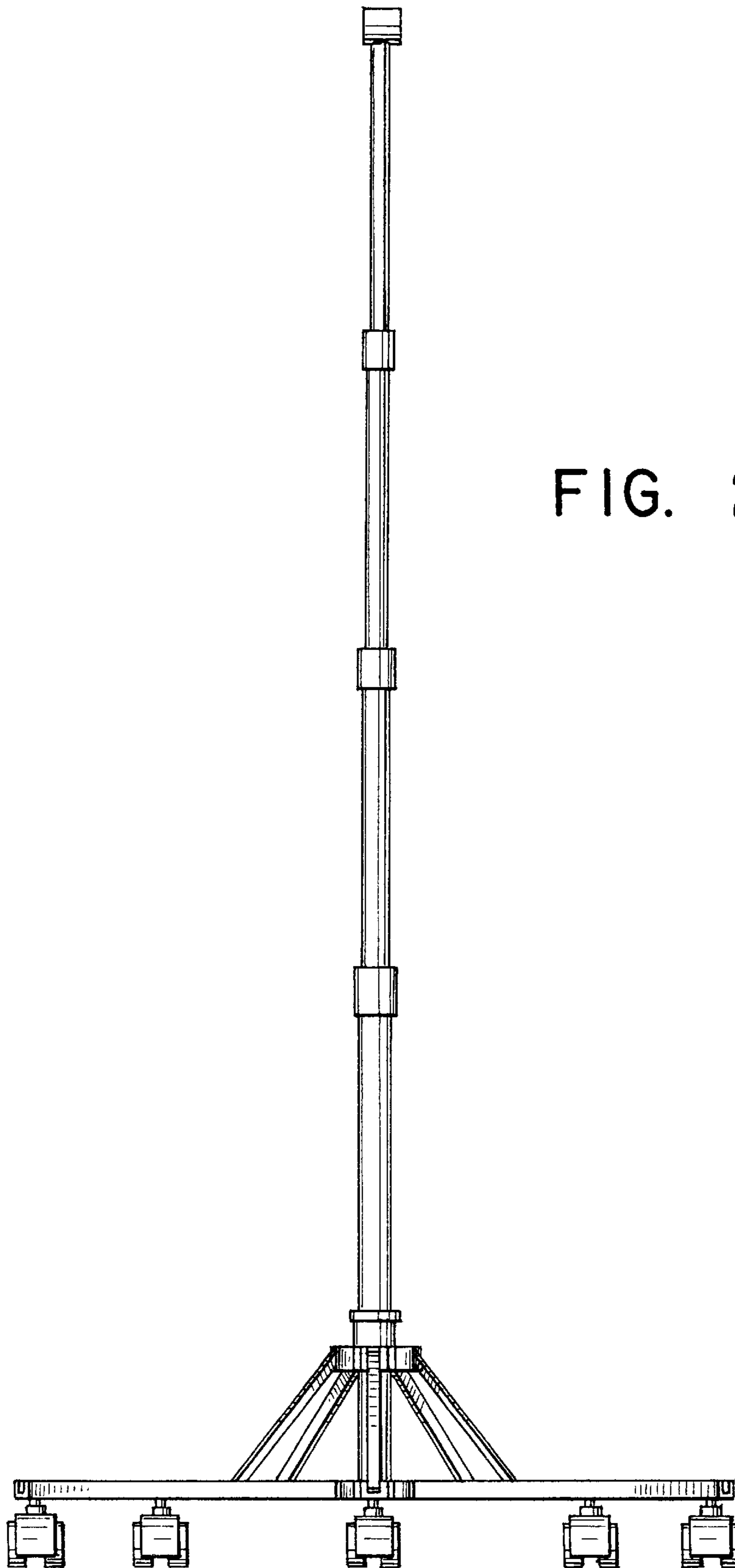


FIG. 2

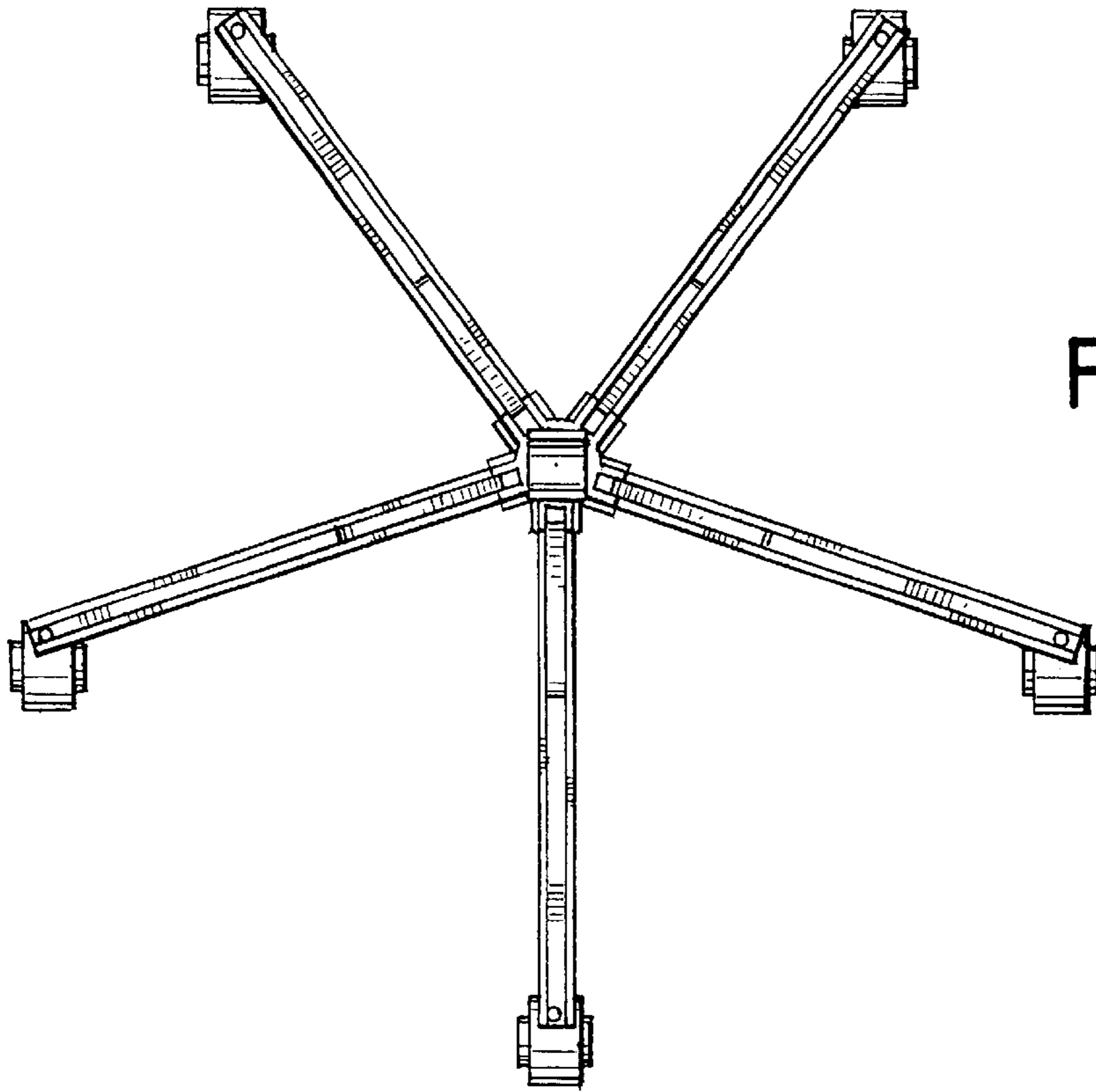


FIG. 3

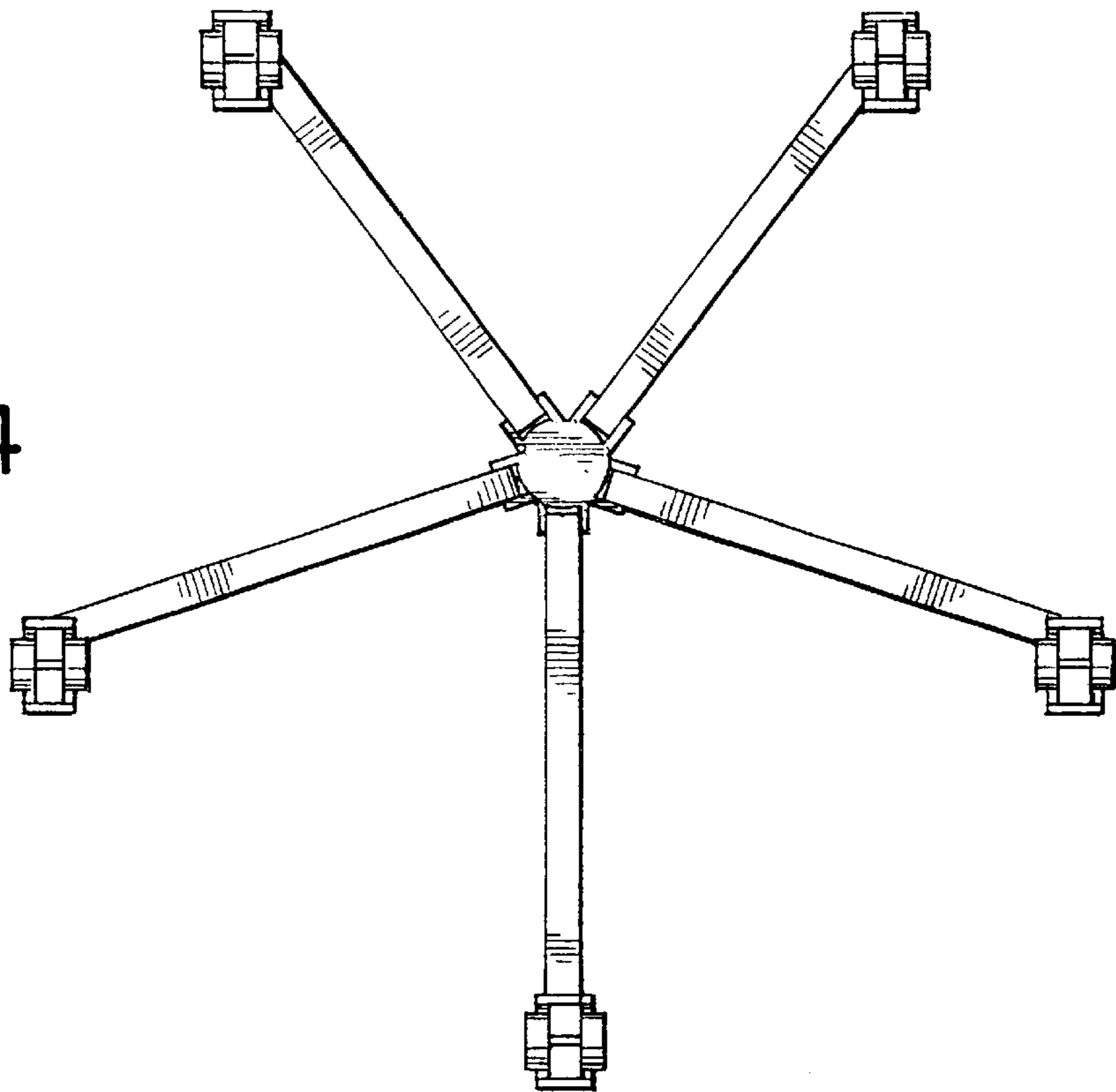


FIG. 4