



US00D457231S

(12) **United States Design Patent**
Crafoord

(10) **Patent No.:** **US D457,231 S**

(45) **Date of Patent:** **** May 14, 2002**

(54) **FILTER FOR AN ANALYSIS APPARATUS**

6,038,913 A 3/2000 Gustafsson et al.
D441,440 S * 5/2001 Hartman D23/365

(75) Inventor: **David Crafoord**, Stockholm (SE)

FOREIGN PATENT DOCUMENTS

(73) Assignee: **Aerocrine AB**, Solna (SE)

JP 766837 7/1989

(**) Term: **14 Years**

* cited by examiner

(21) Appl. No.: **29/140,964**

Primary Examiner—Antoine Duval Davis
(74) *Attorney, Agent, or Firm*—Birch, Stewart, Kolasch & Birch, LLP

(22) Filed: **Apr. 30, 2001**

Related U.S. Application Data

(57) **CLAIM**

(62) Division of application No. 29/123,372, filed on May 16, 2000, now Pat. No. Des. 448,693.

The ornamental design for a filter for an analysis apparatus, as shown and described.

(30) **Foreign Application Priority Data**

DESCRIPTION

Nov. 16, 1999 (SE) 99-2066

(51) **LOC (7) Cl.** **23-02**

(52) **U.S. Cl.** **D23/365**

(58) **Field of Search** D23/365; D24/162;
55/529; 73/863.24, 864.22, 864.25; 210/391

FIG. 1 is a front perspective view of a filter for an analysis apparatus showing my new design;
FIG. 2 is a rear perspective view thereof;
FIG. 3 is a front elevational view thereof;
FIG. 4 is a left side elevational view thereof;
FIG. 5 is a right side elevational view thereof;
FIG. 6 is a rear elevational view thereof;
FIG. 7 is a top plan view thereof; and,
FIG. 8 is a bottom plan view thereof.

(56) **References Cited**

U.S. PATENT DOCUMENTS

5,447,165 A 9/1995 Gustafsson
5,922,610 A 7/1999 Alving et al.

1 Claim, 4 Drawing Sheets

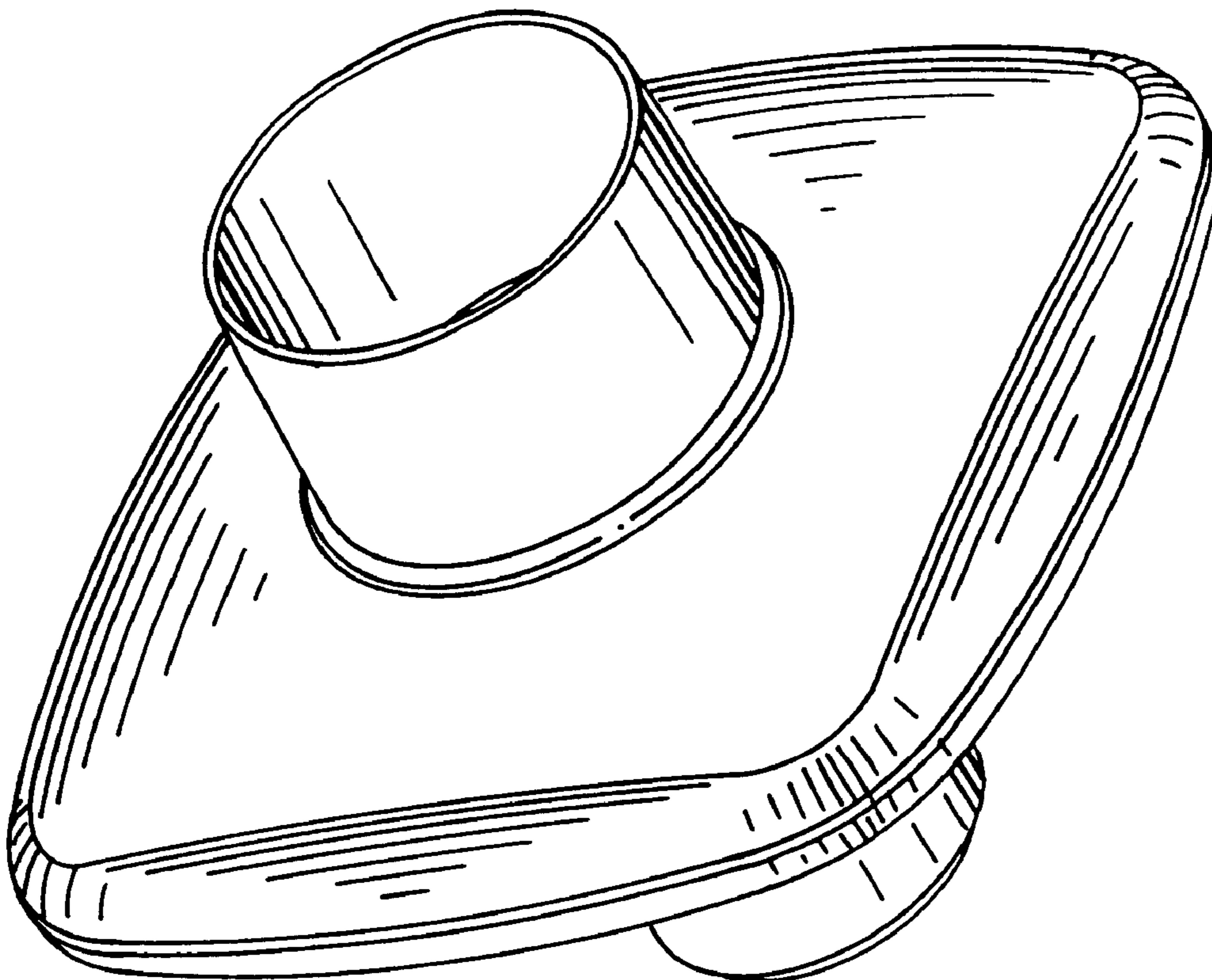


FIG. 1

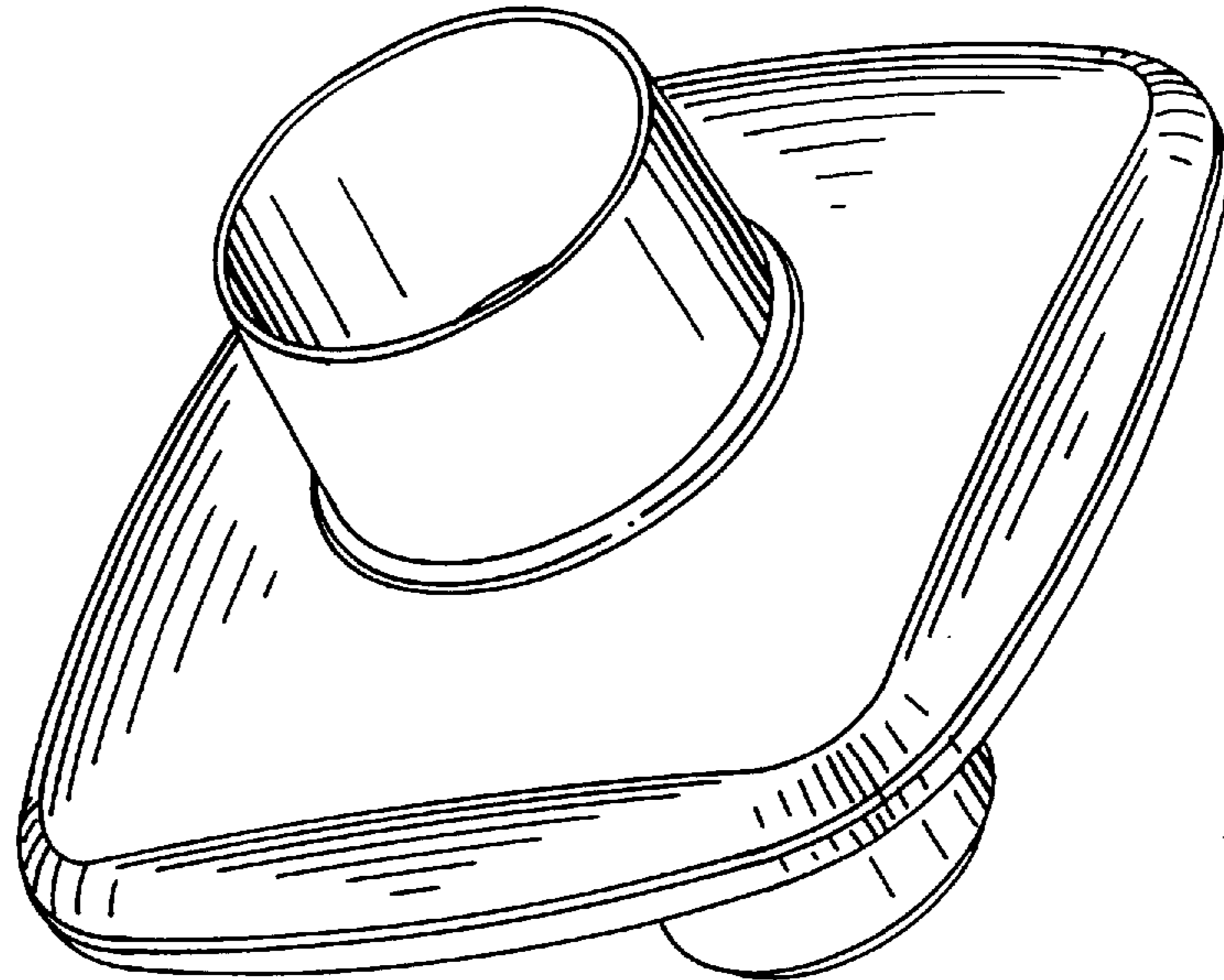


FIG. 2

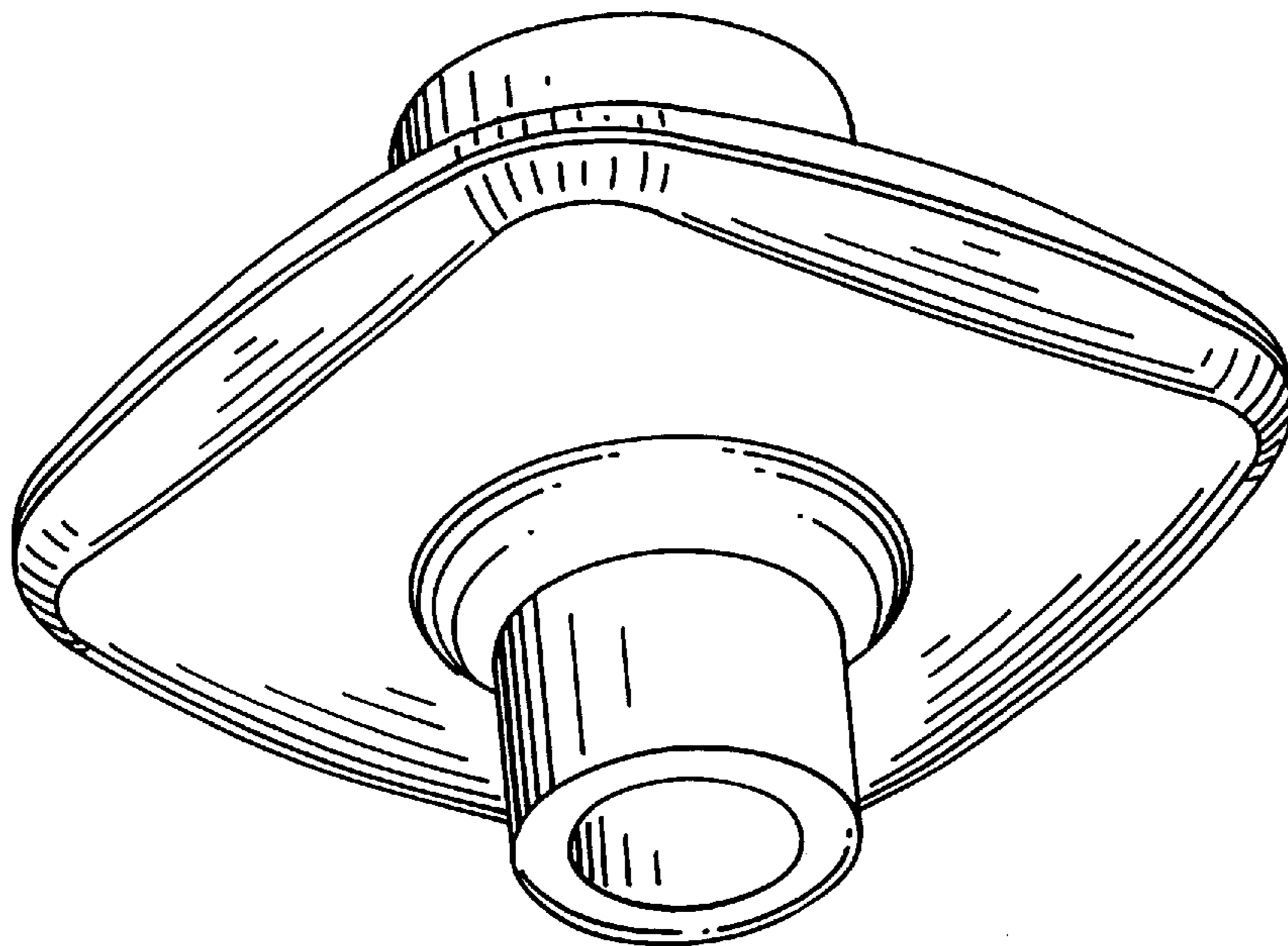


FIG. 3

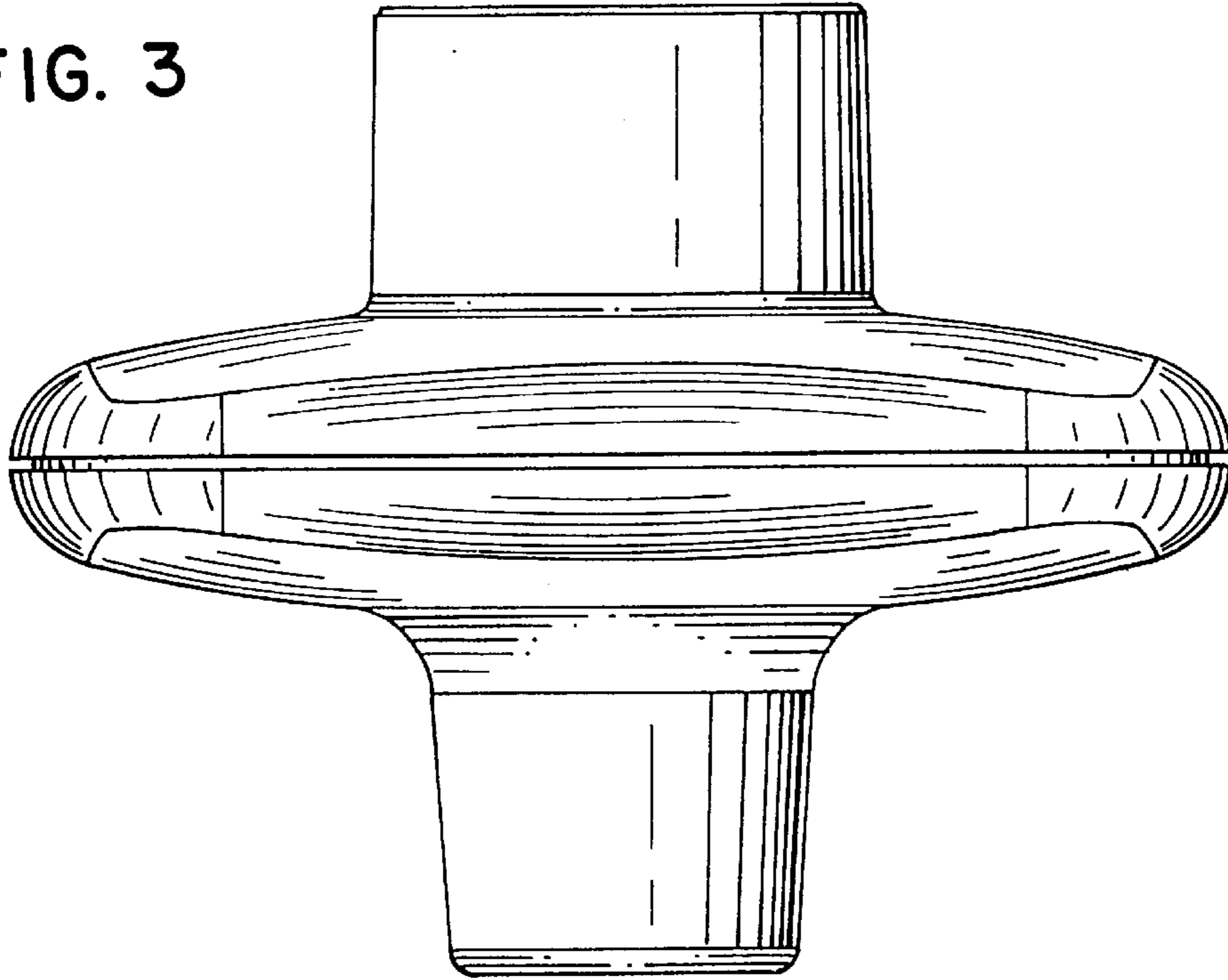


FIG. 4

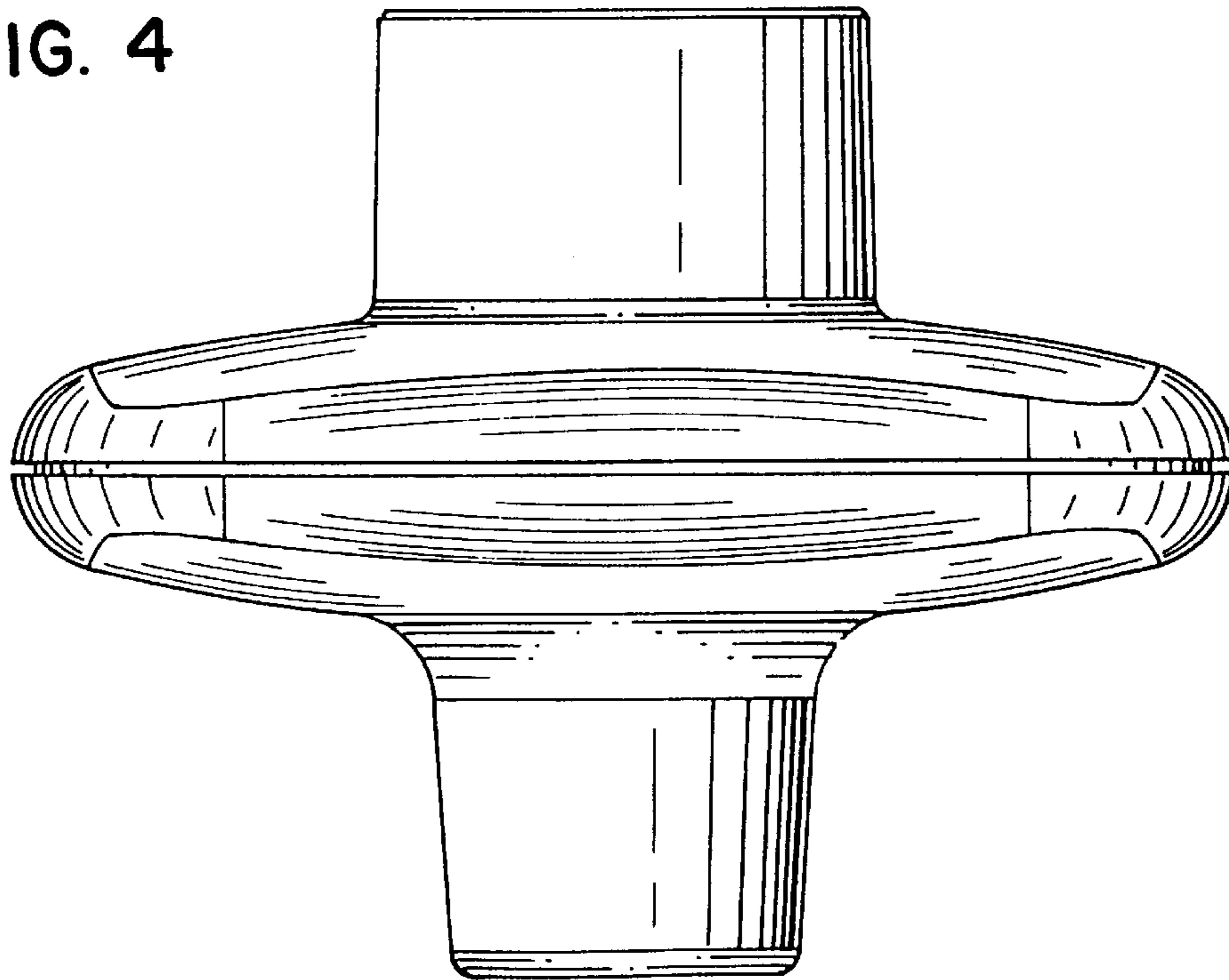


FIG. 5

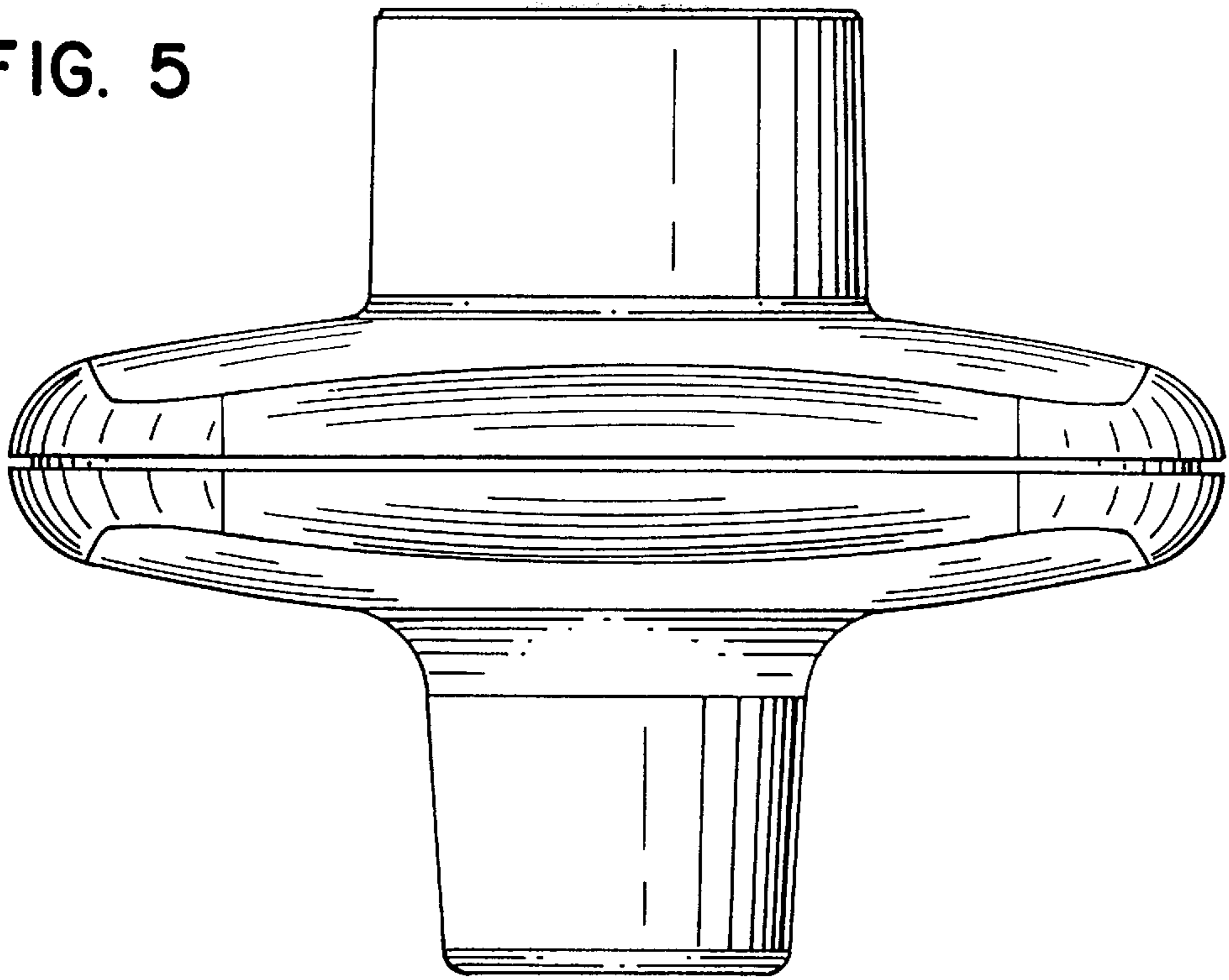


FIG. 6

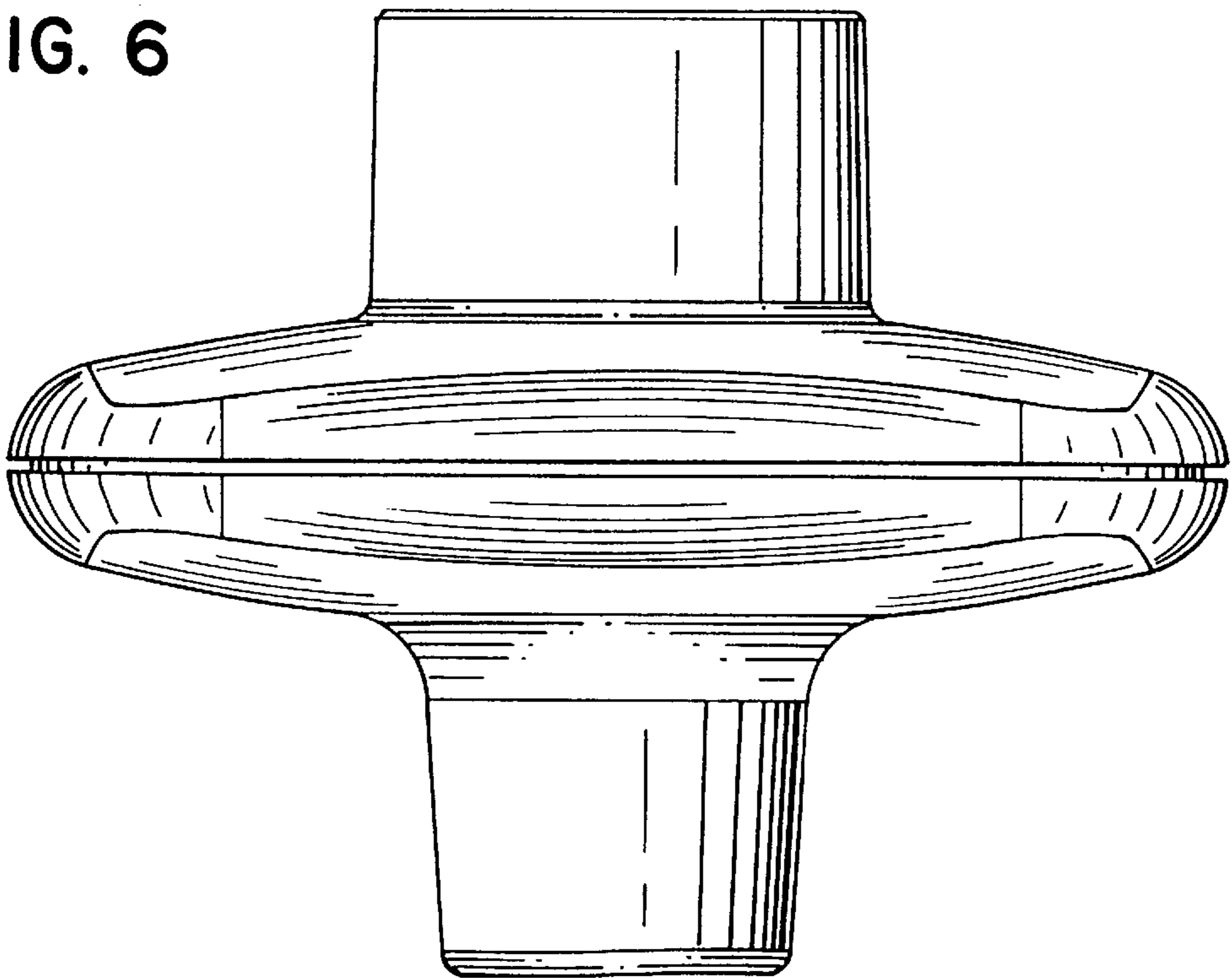


FIG. 7

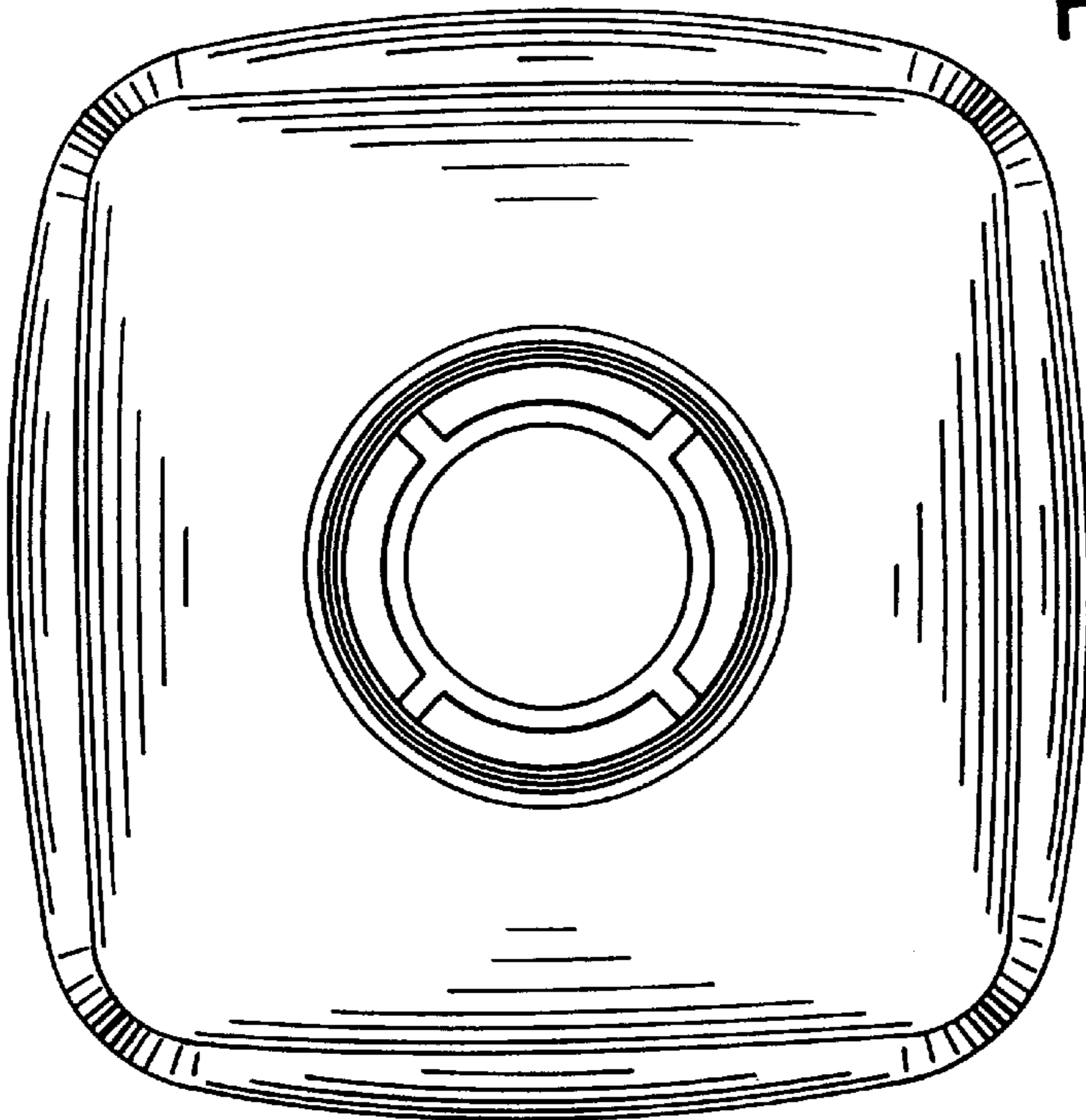


FIG. 8

