



US00D457229S

(12) **United States Design Patent**
Chen

(10) **Patent No.:** **US D457,229 S**

(45) **Date of Patent:** **** May 14, 2002**

(54) **OUTDOOR GRILL**

(76) **Inventor:** **Joe Chen**, 40 Bedminster Rd.,
Randolph, NJ (US) 07869

(**) **Term:** **14 Years**

(21) **Appl. No.:** **29/130,827**

(22) **Filed:** **Oct. 10, 2000**

(51) **LOC (7) Cl.** **23-03**

(52) **U.S. Cl.** **D23/343; D7/332**

(58) **Field of Search** **D7/332, 334, 335,**
D7/336, 337, 402, 409; 126/25 R, 25 A,
25 AA, 41 R, 29-30, 9 R, 9 B, 4, 6, 506,
519; D23/343, 348, 350, 317, 334-336,
338-339; 99/443, 450, 421 R; 248/156

(56) **References Cited**

U.S. PATENT DOCUMENTS

D176,243 S	*	12/1955	Beckett	D23/336
4,062,340 A		12/1977	Huff		
D258,259 S	*	2/1981	Lindholm	D7/332
D293,191 S	*	12/1987	Stephen et al.	D7/332
5,094,223 A	*	3/1992	Gonzalez	126/25 R
D352,864 S		11/1994	Parker		
5,404,801 A		4/1995	Holland		
D370,380 S		6/1996	McGourthy, Jr. et al.		
D370,823 S		6/1996	Traeger et al.		
D373,282 S		9/1996	Cordero		
D375,347 S	*	11/1996	Whalen et al.	D23/317
5,598,834 A	*	2/1997	Grady	126/506
D381,240 S		7/1997	Home		
D396,598 S		8/1998	Van Der Woude		
D396,599 S		8/1998	Smith, Jr.		
D397,428 S	*	8/1998	Reitsma et al.	D23/348

5,832,915 A	*	11/1998	Skidmore et al.	126/9 R
5,836,298 A	*	11/1998	Grady	126/506
D410,812 S		6/1999	Pai		
D414,374 S		9/1999	Ting		
5,947,013 A		9/1999	Stewart, Jr.		
D414,648 S		10/1999	Demirjian		
5,960,788 A	*	10/1999	Bach et al.	126/506
D417,362 S		12/1999	Ting		
D420,115 S	*	2/2000	Bach et al.	D23/348
D420,242 S		2/2000	Chiang		
D425,366 S		5/2000	Pai		
D426,101 S		6/2000	Pai		
D427,840 S		7/2000	Pai		
D428,760 S		8/2000	Huang		
D430,776 S		9/2000	Pai		
D435,387 S		12/2000	Pai		
D443,464 S	*	6/2001	Davis	D7/334

* cited by examiner

Primary Examiner—Ruth McInroy

(74) *Attorney, Agent, or Firm*—Dilworth & Barrese, LLP

(57) **CLAIM**

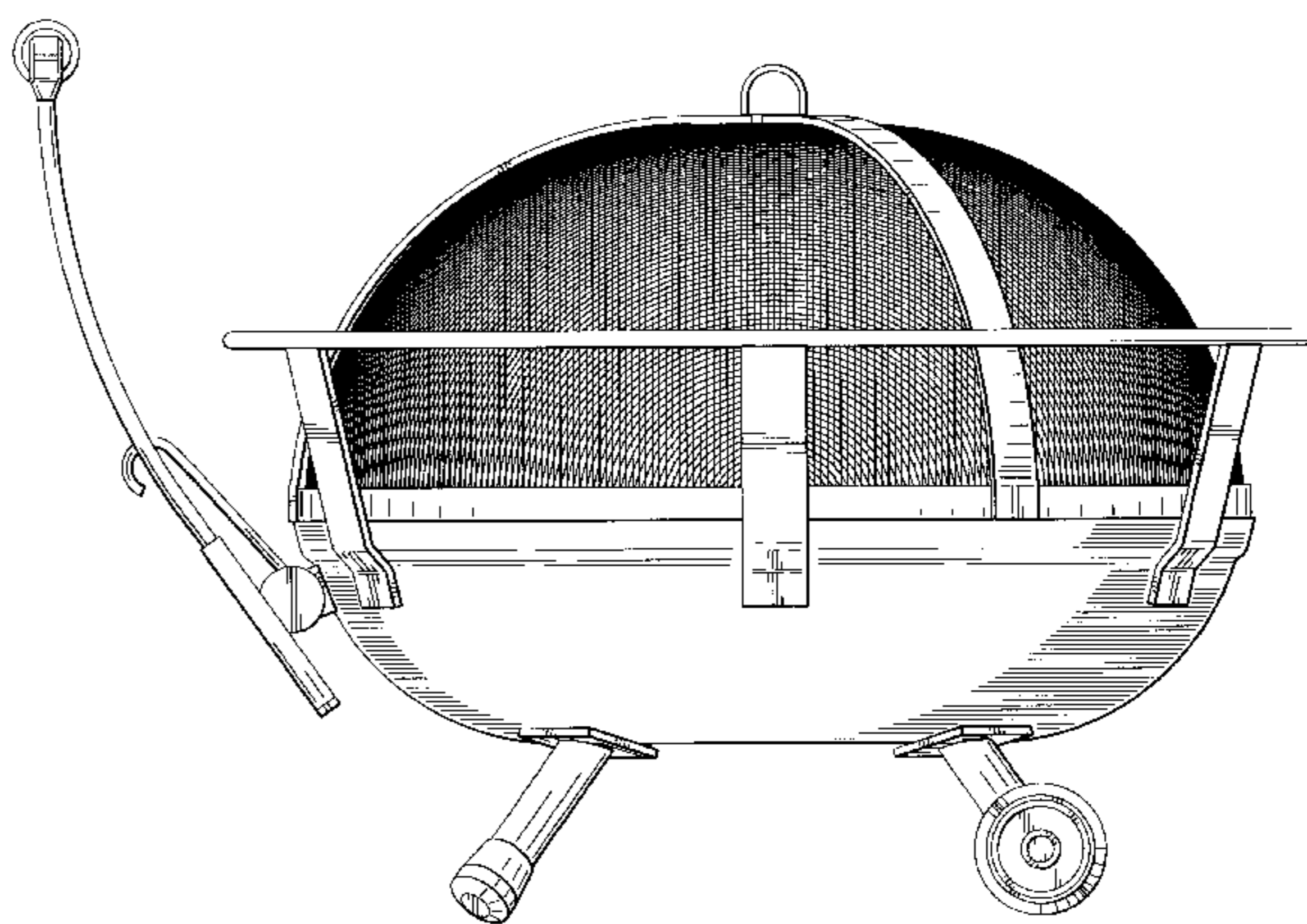
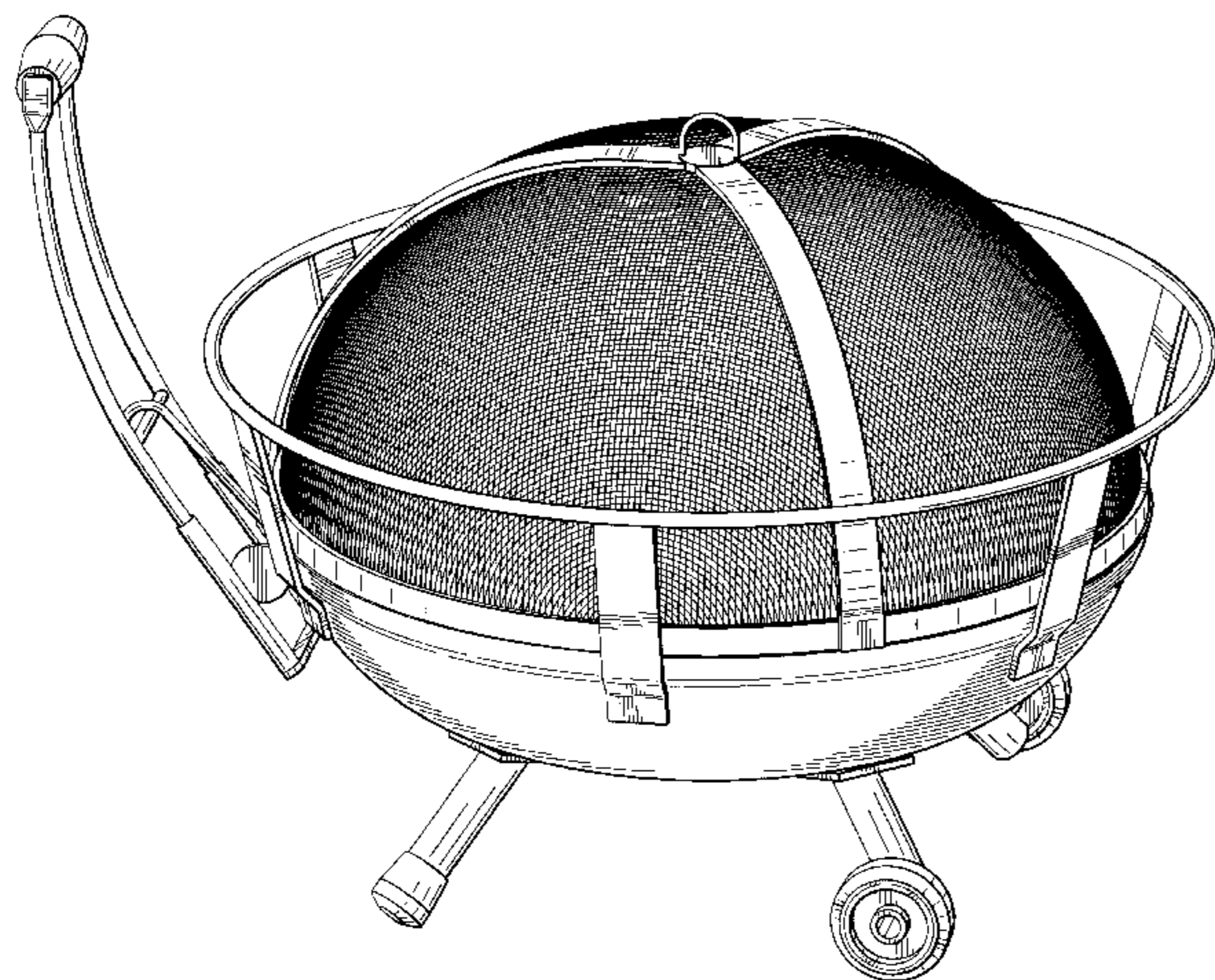
CLAIM

The ornamental design of an outdoor grill, as shown and described.

DESCRIPTION

FIG. 1 is a perspective view of an outdoor grill showing my new design;
FIG. 2 is a front elevational view thereof, the rear elevational view being a mirror image;
FIG. 3 is a right side view thereof;
FIG. 4 is a left side elevational view thereof;
FIG. 5 is a top plan view thereof; and,
FIG. 6 is a bottom view thereof.

1 Claim, 6 Drawing Sheets



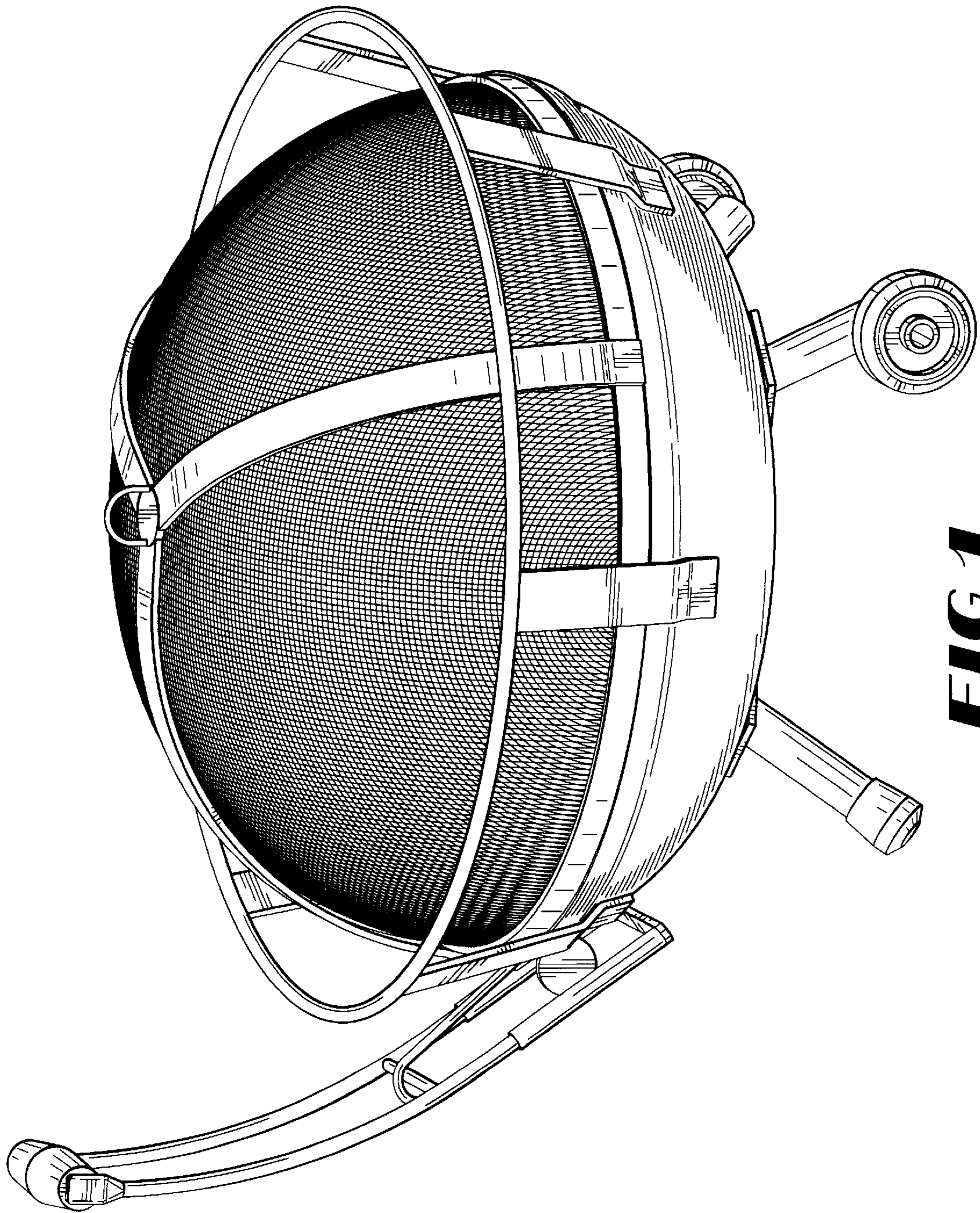


FIG 1

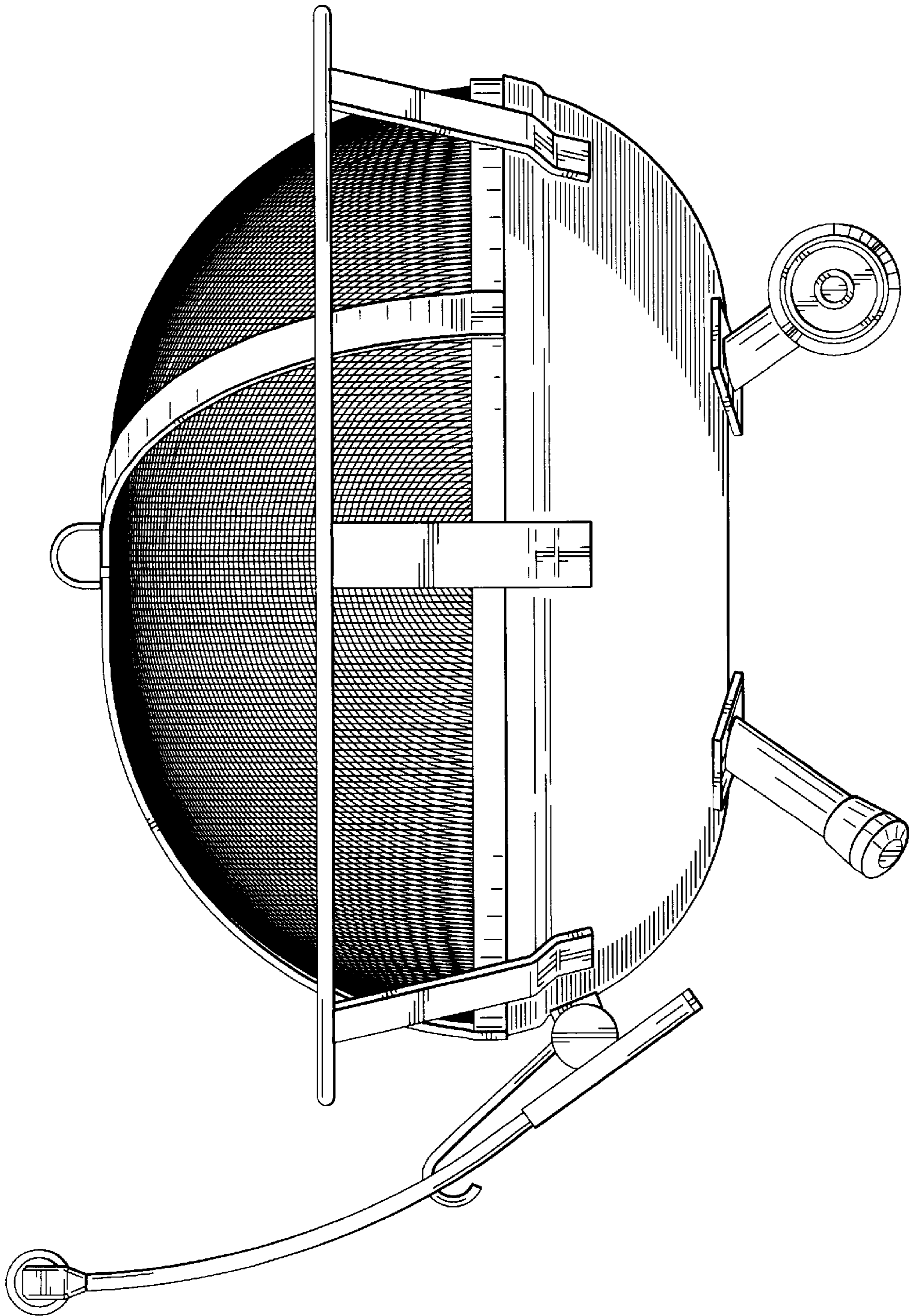


FIG 2

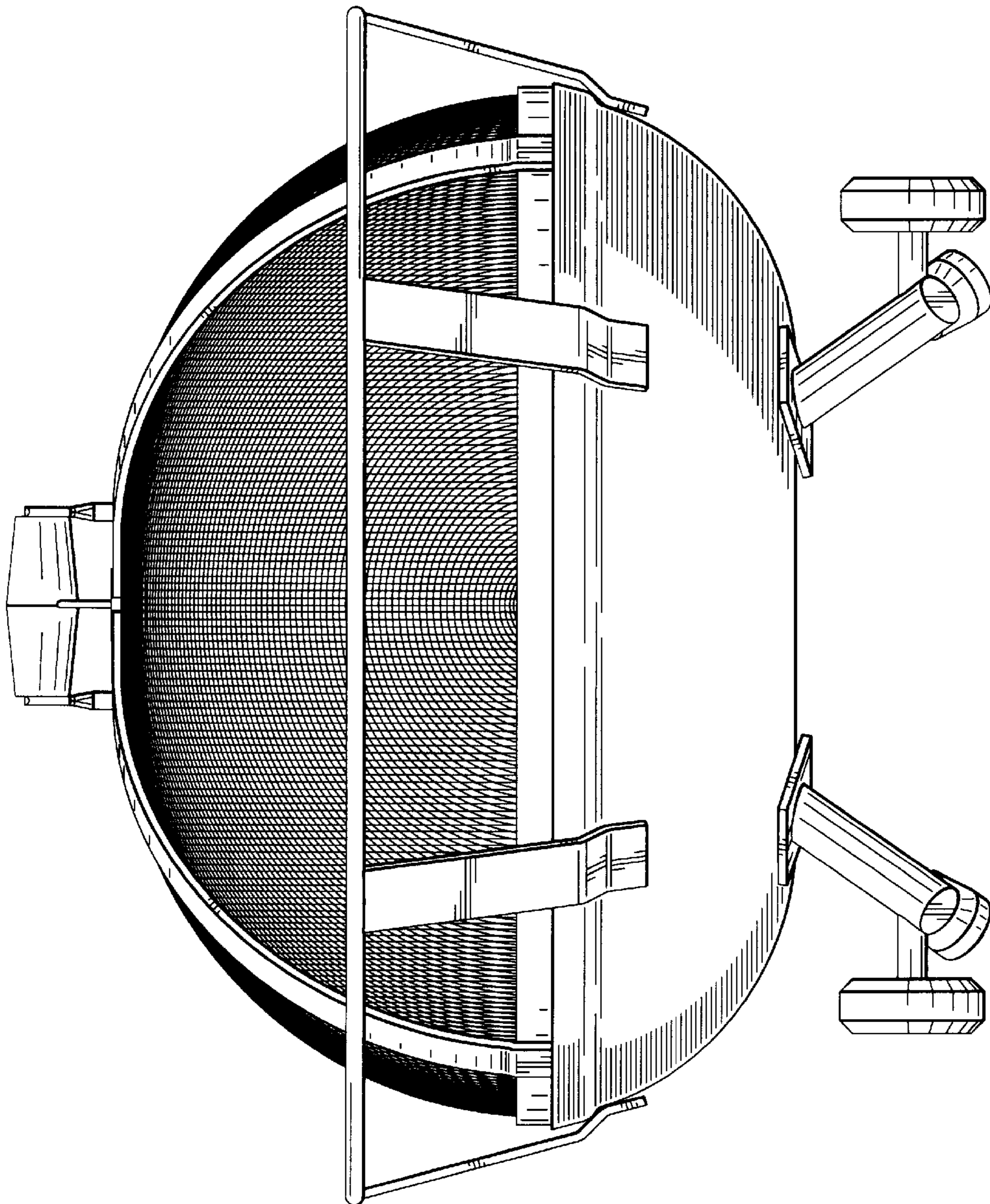


FIG 3

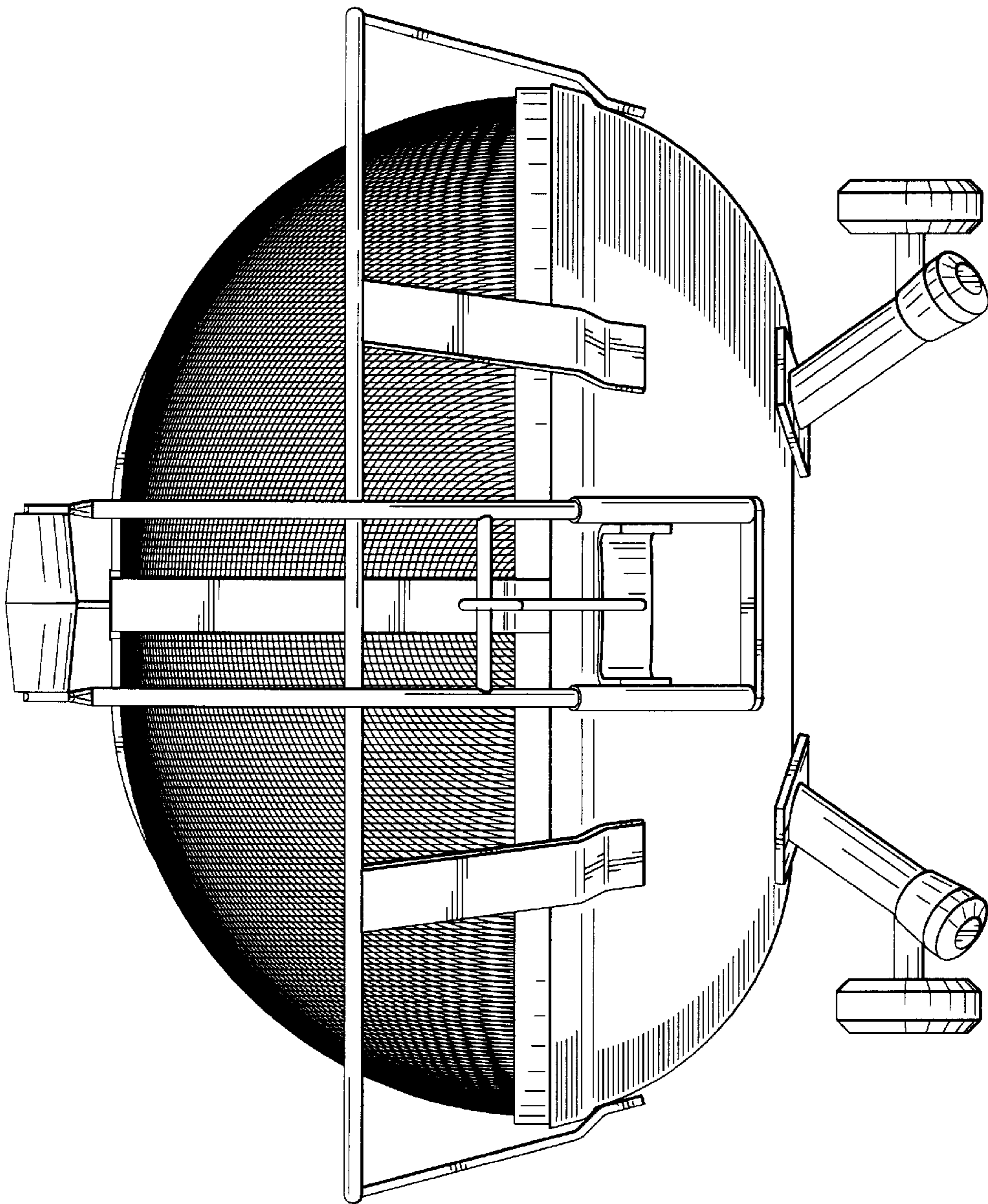


FIG 4

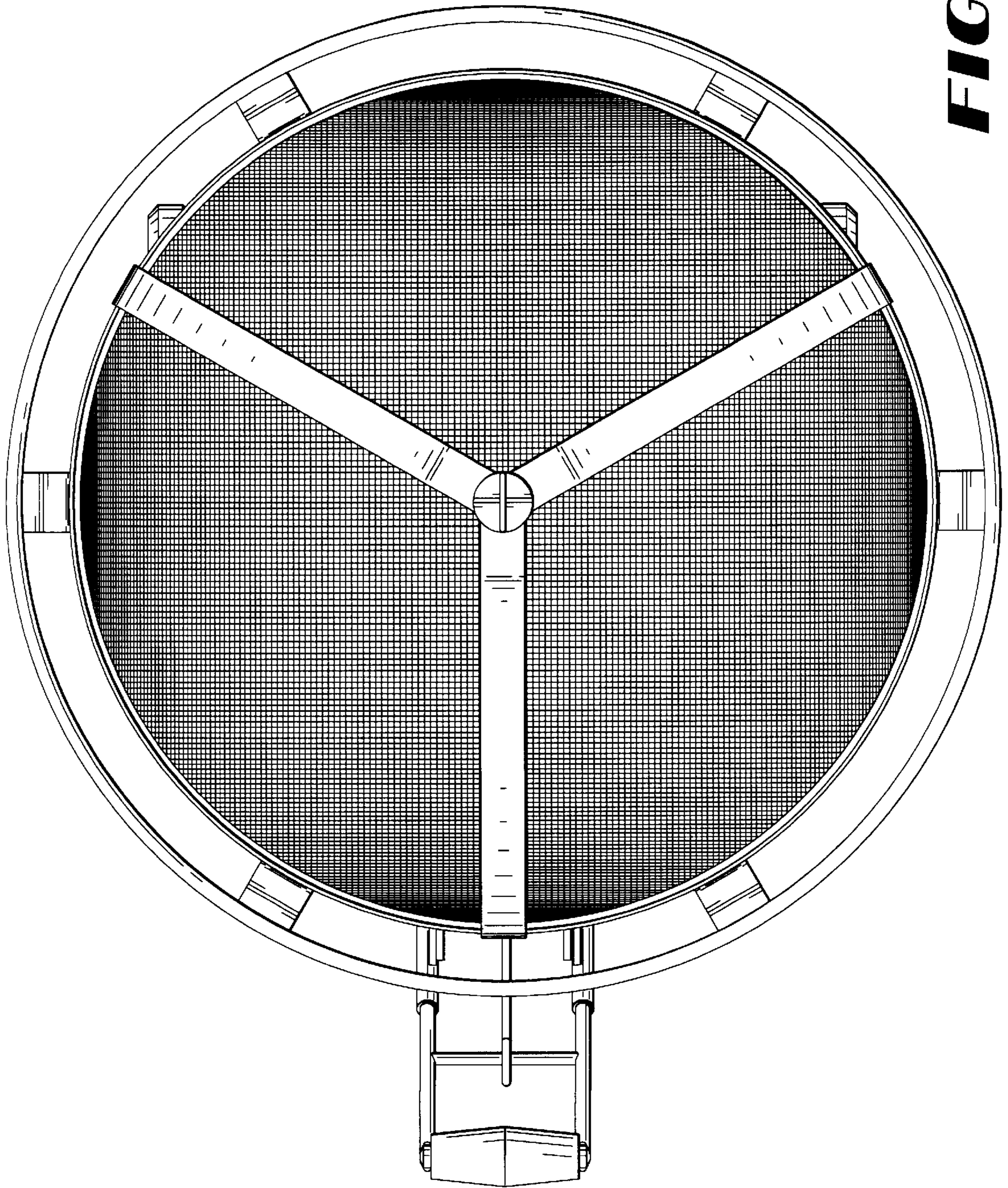


FIG 5

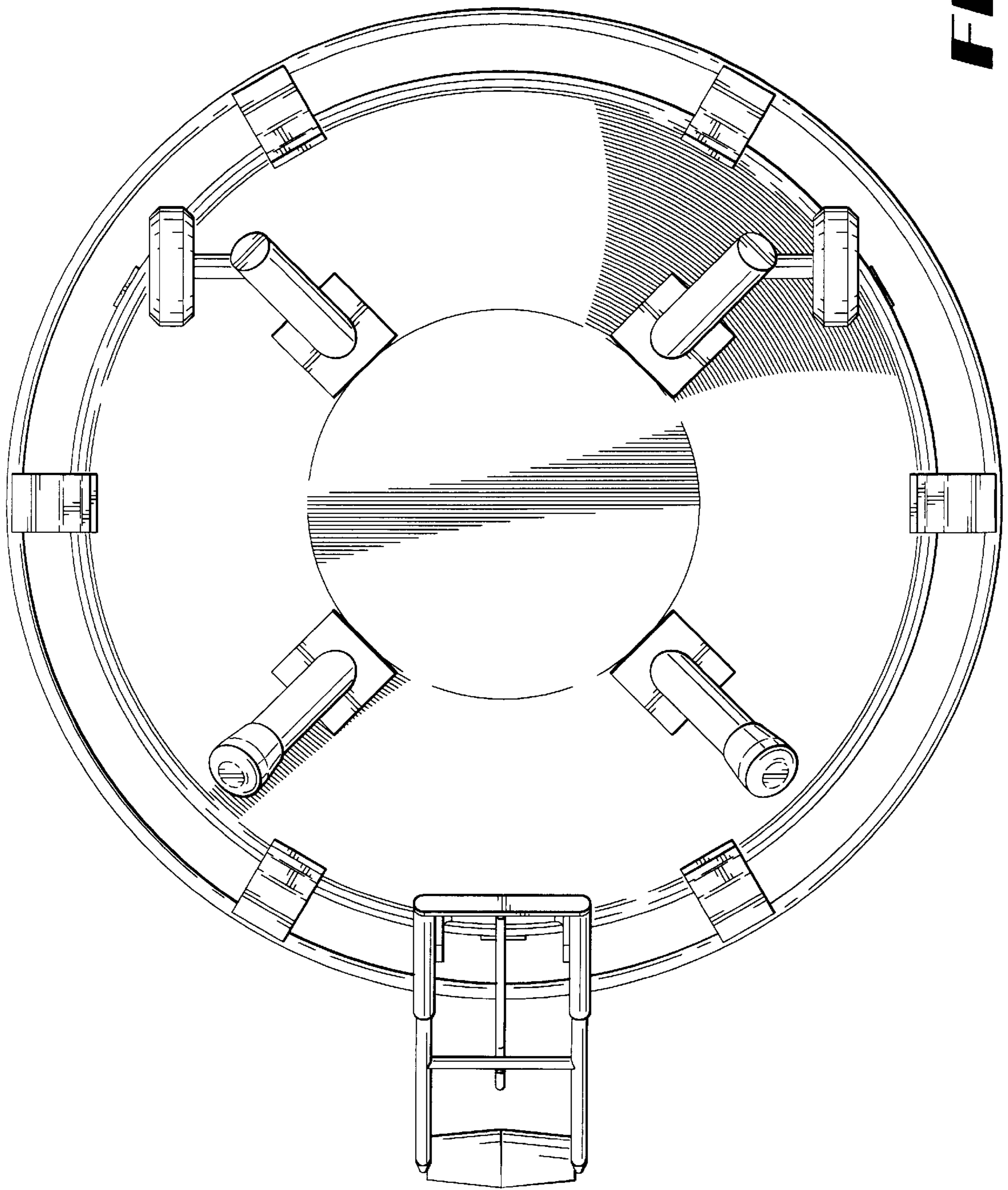


FIG 6