



US00D457228S

(12) **United States Design Patent**
Lundin

(10) **Patent No.:** **US D457,228 S**

(45) **Date of Patent:** **** May 14, 2002**

(54) **HEATING DEVICE**

(75) Inventor: **Kenneth Lundin**, Vanersborg (SE)

(73) Assignee: **Hedson Technologies AB** (SE)

(**) Term: **14 Years**

(21) Appl. No.: **29/110,656**

(22) Filed: **Sep. 10, 1999**

Related U.S. Application Data

(62) Division of application No. 29/067,218, filed on Feb. 26, 1997, now Pat. No. Des. 418,211.

(30) **Foreign Application Priority Data**

Aug. 30, 1996 (SE) 96-1804
Aug. 30, 1996 (SE) 96-1805

(51) **LOC (7) Cl.** **23-04**

(52) **U.S. Cl.** **D23/317**

(58) **Field of Search** D23/314, 317;
392/415, 413, 412; 34/270, 266

(56) **References Cited**

U.S. PATENT DOCUMENTS

5,050,232 A * 9/1991 Bergman et al. 392/415

* cited by examiner

Primary Examiner—Lisa Lichtensrein

(74) *Attorney, Agent, or Firm*—Orum & Roth

(57) **CLAIM**

The ornamental design for a heating device, as shown.

DESCRIPTION

FIG. 1 is a front perspective view of a heating device in a raised position;

FIG. 2 is a rear perspective view thereof;

FIG. 3 is a front perspective view thereof in a lowered position;

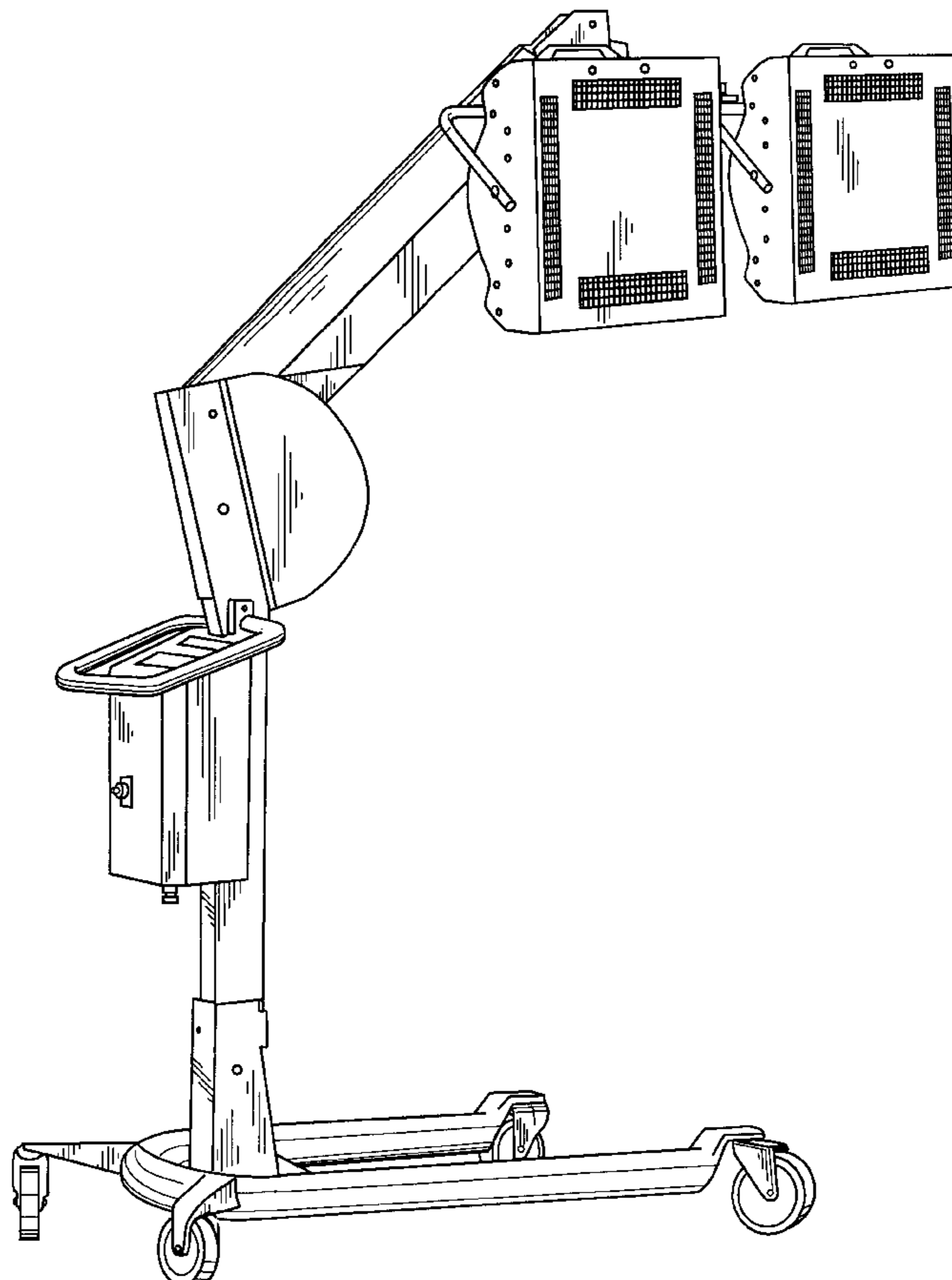
FIG. 4 is a front perspective view of the heating reflector cassette portion of the heating device, shown separately for clarity of illustration;

FIG. 5 is a rear perspective view of FIG. 4;

FIG. 6 is an enlarged top view thereof; and,

FIG. 7 is an enlarged bottom view thereof.

1 Claim, 7 Drawing Sheets



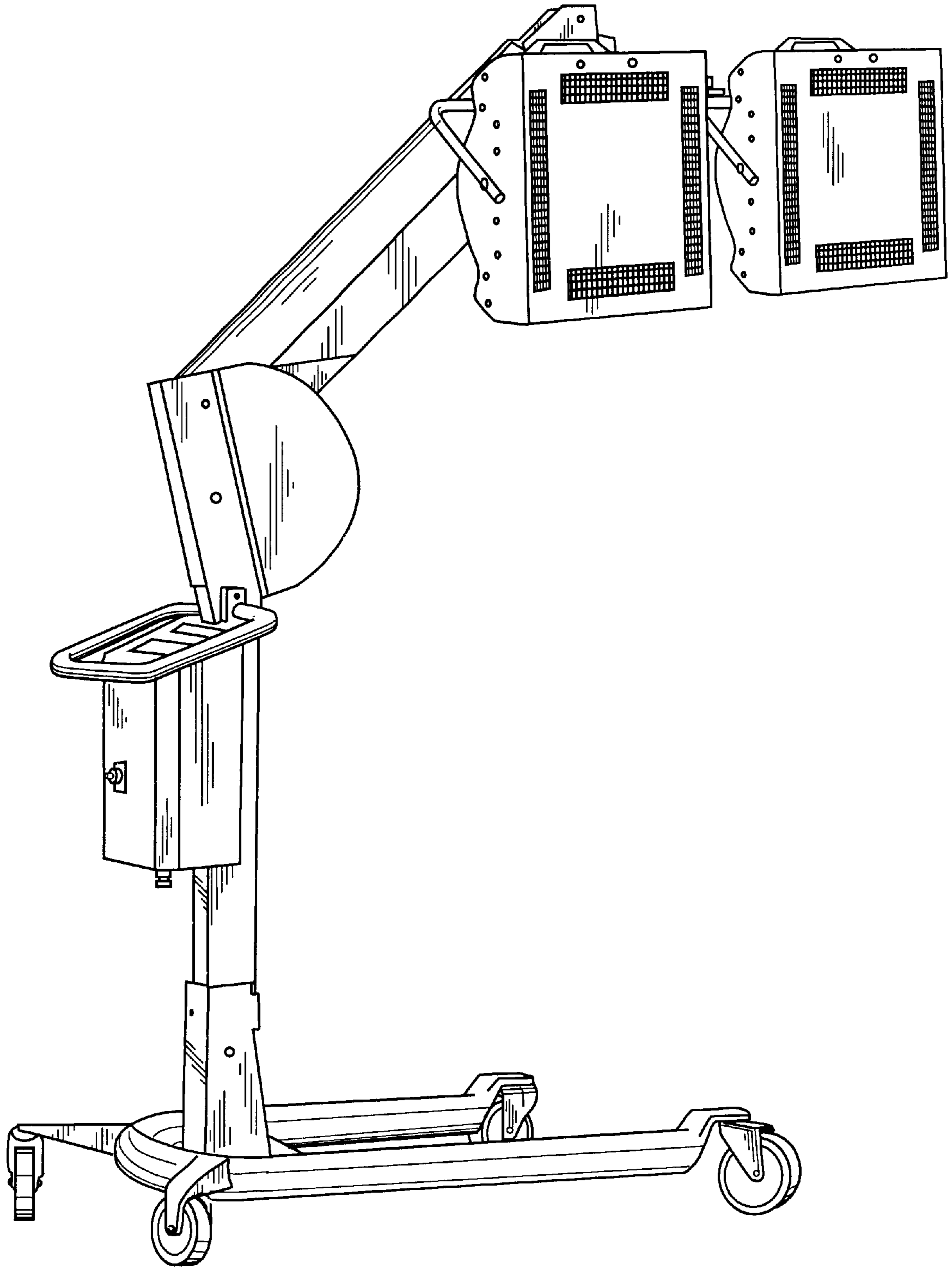


Figure 1

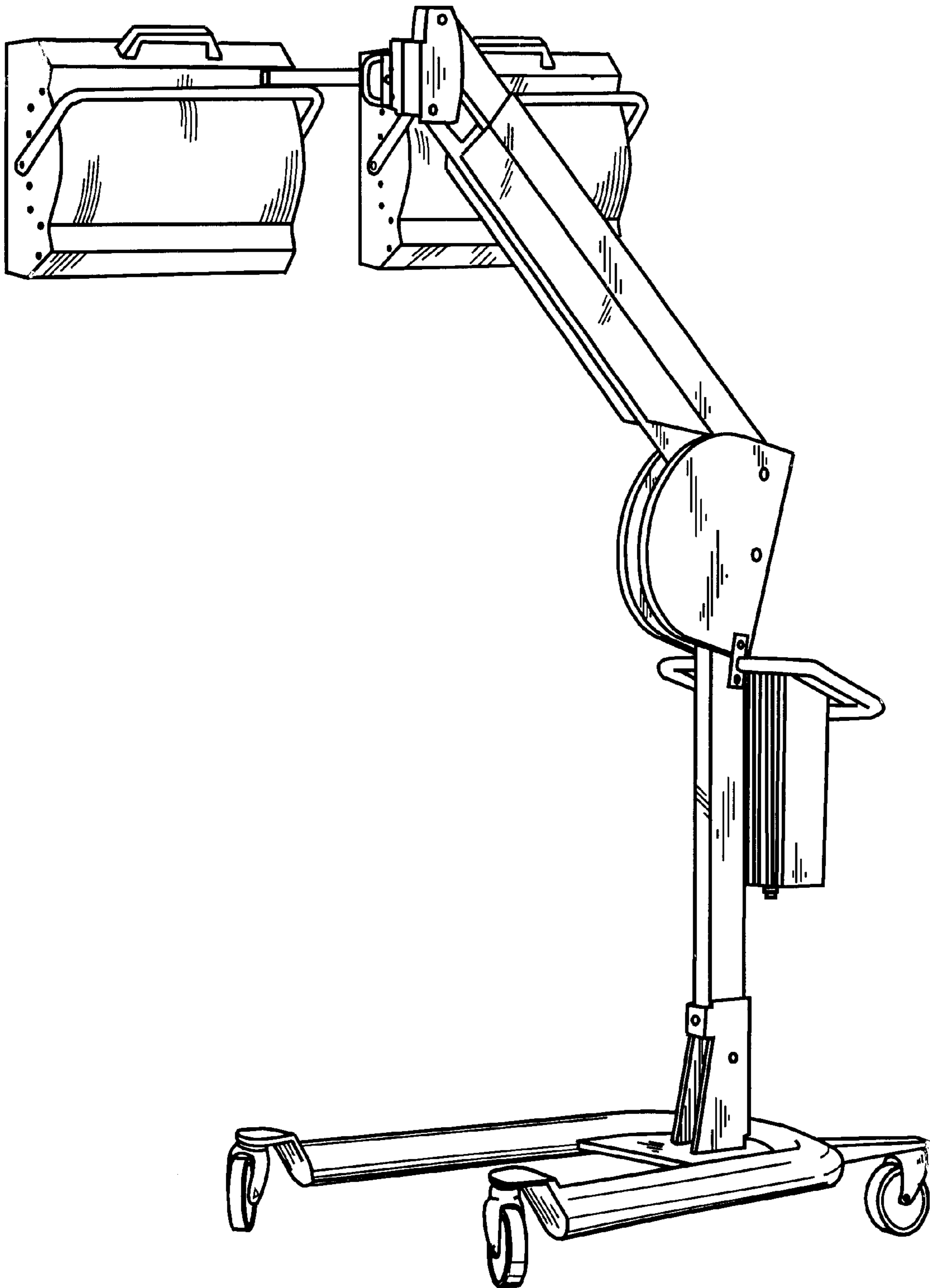


Figure 2

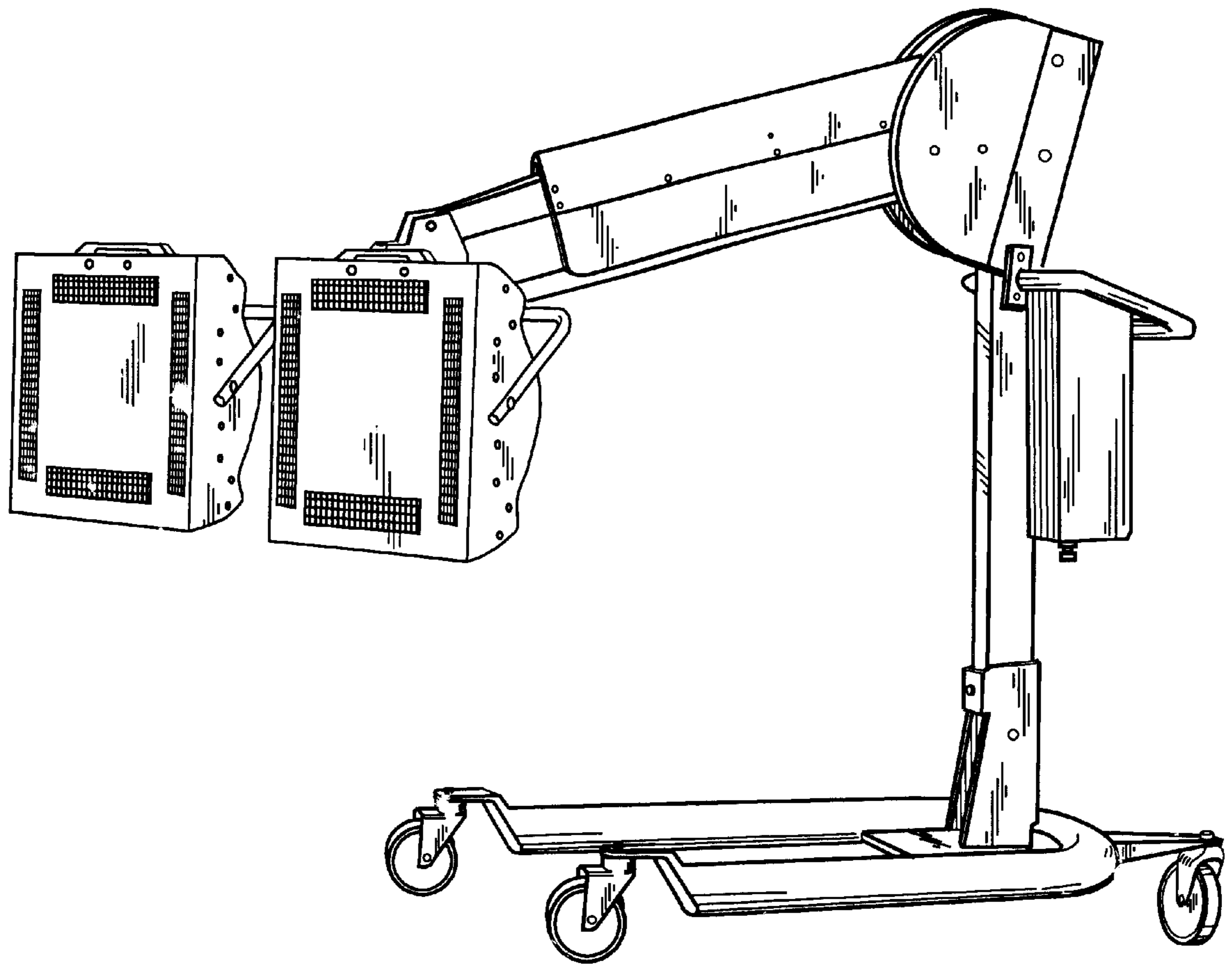


Figure 3

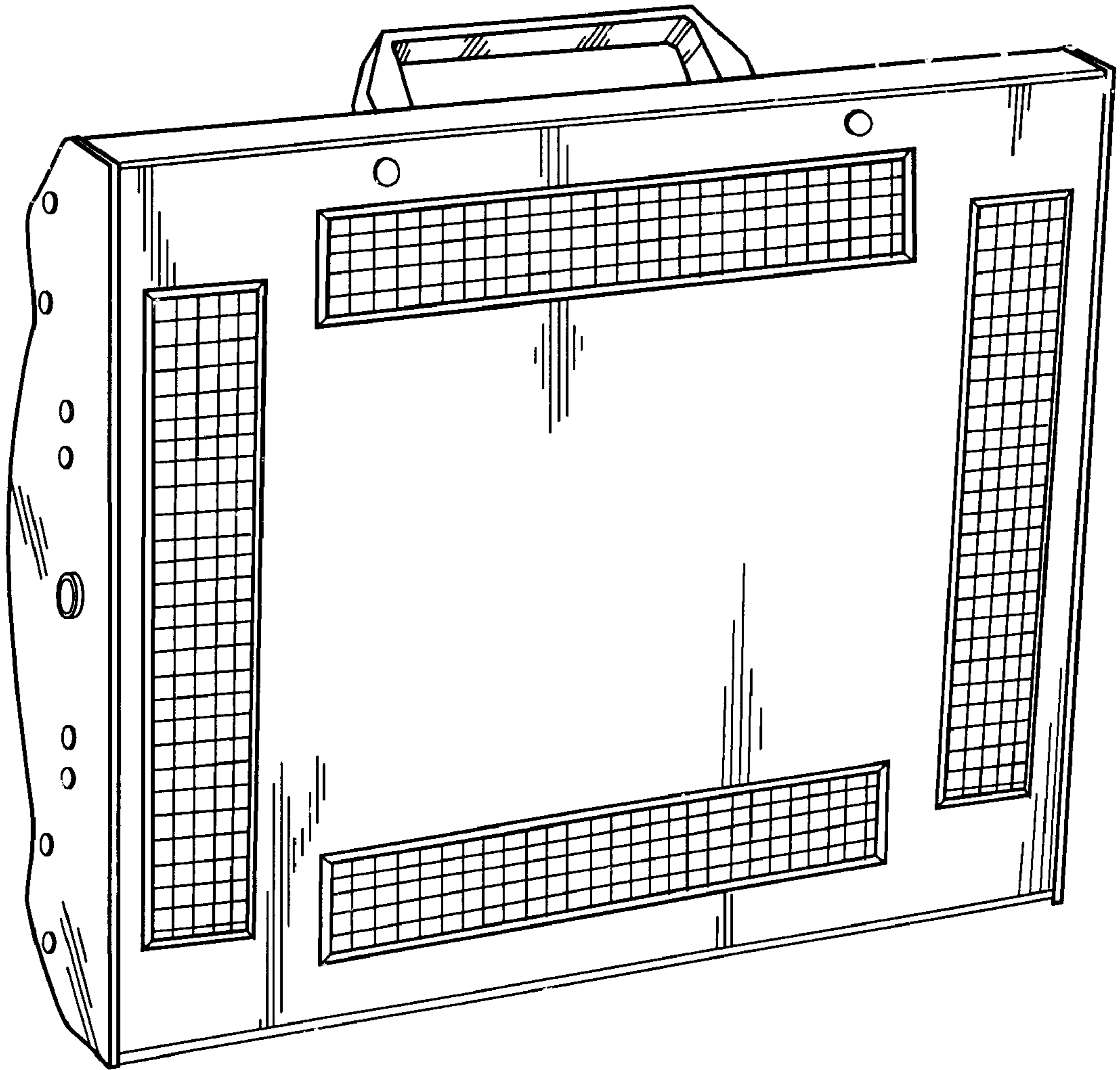


Figure 4

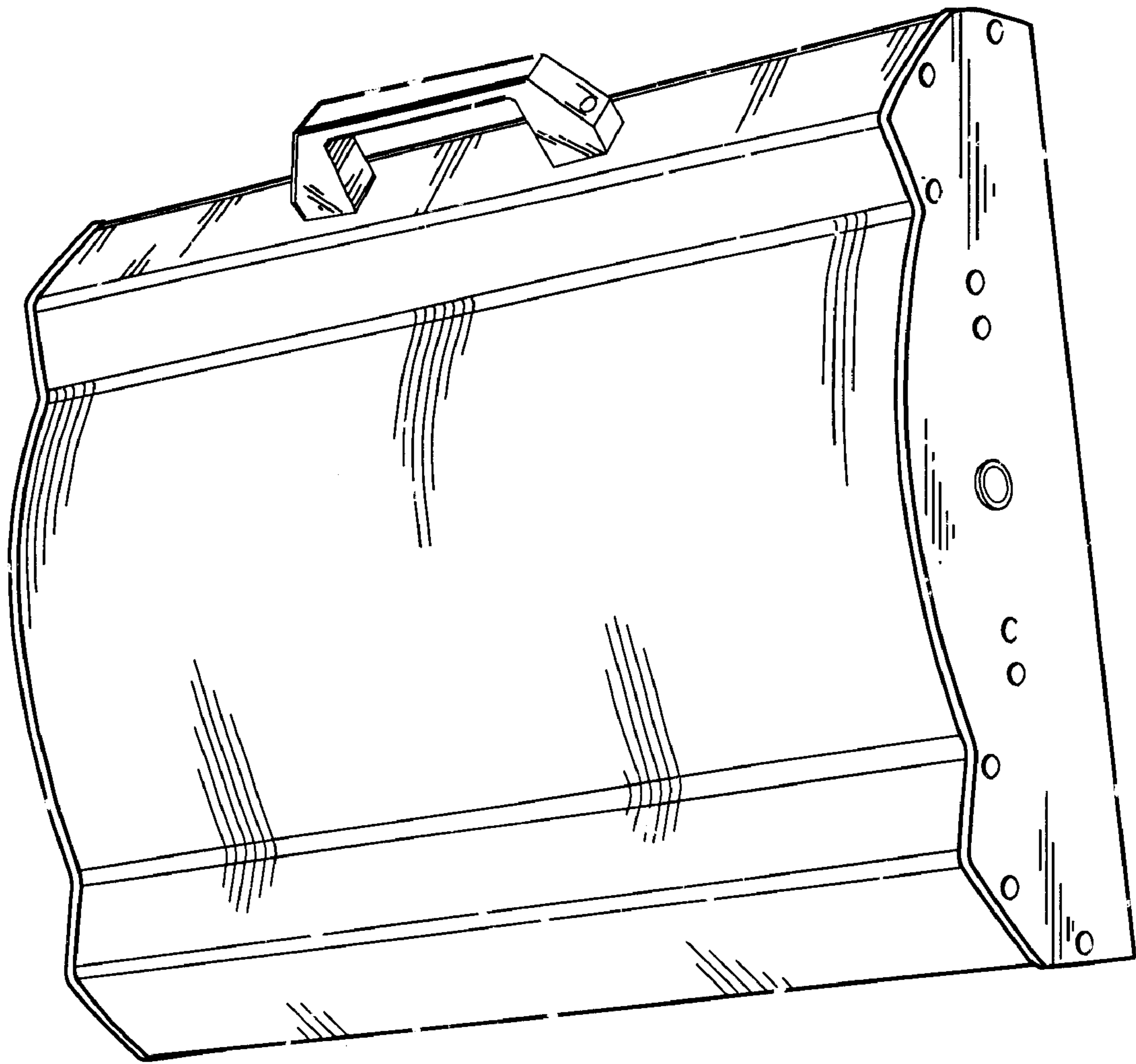


Figure 5

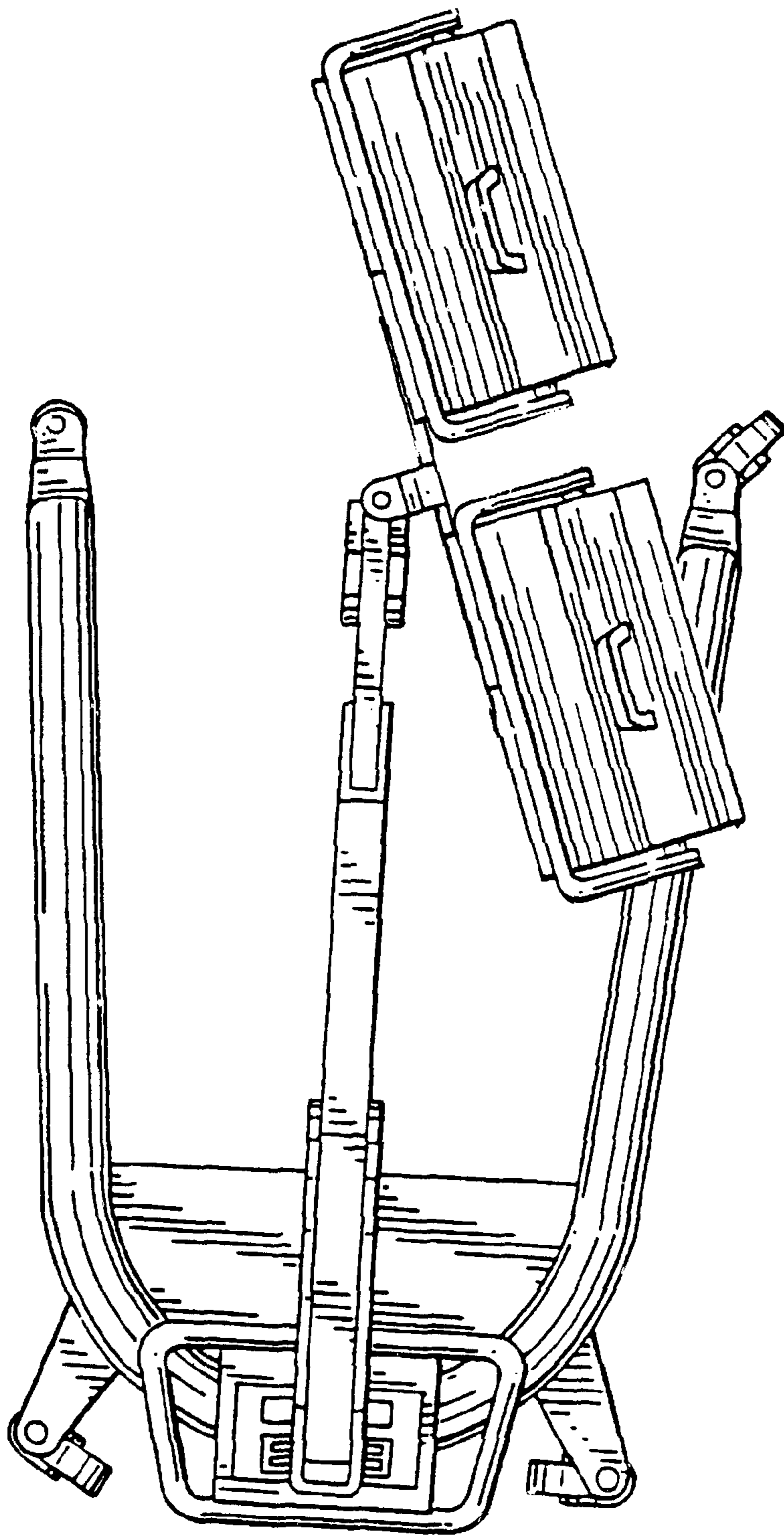


Figure 6

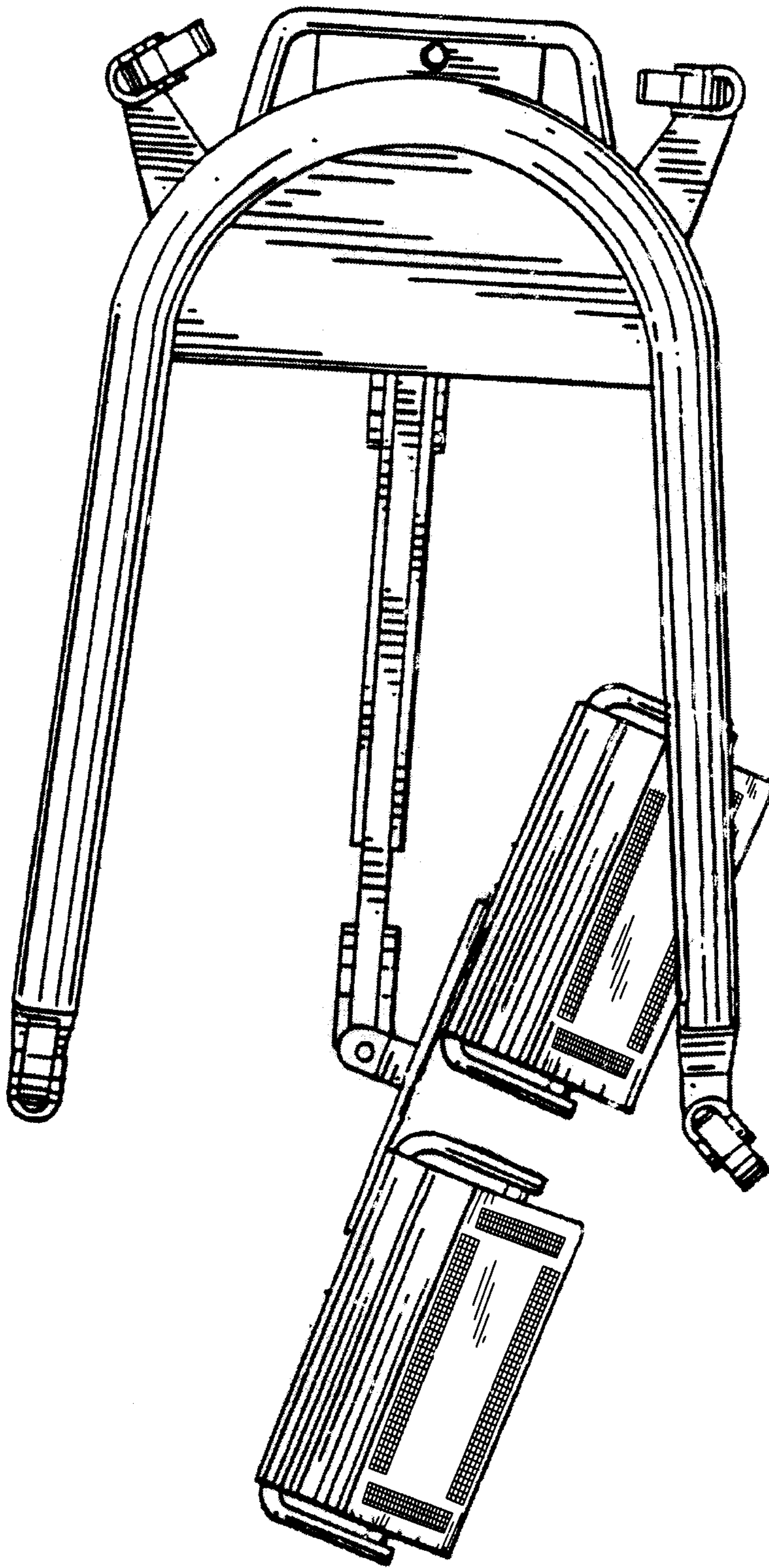


Figure 7