



US00D457225S

(12) **United States Design Patent**
Gottwald

(10) **Patent No.:** **US D457,225 S**

(45) **Date of Patent:** **** May 14, 2002**

(54) **BIDET FAUCET**

(75) **Inventor:** **Adolf Gottwald, Iserlohn (DE)**

(73) **Assignee:** **Friedrich Grohe AG & Co. KG,**
Hemer (DE)

(**) **Term:** **14 Years**

(21) **Appl. No.:** **29/141,116**

(22) **Filed:** **Apr. 29, 2001**

(30) **Foreign Application Priority Data**

Apr. 29, 2001 (DE) 400 11 047

(51) **LOC (7) Cl.** **23-01**

(52) **U.S. Cl.** **D23/243; D23/242; D23/241**

(58) **Field of Search** **D23/238-243,**
D23/245, 249-257; 4/675-678; 16/110 R;
137/801

(56) **References Cited**

U.S. PATENT DOCUMENTS

D311,438 S * 10/1990 Strignano D23/242
D312,300 S * 11/1990 Joerger D23/241
D314,040 S * 1/1991 Heieck D23/238

D350,183 S * 8/1994 Joerger D23/242
D375,345 S * 11/1996 Warshawsky D23/241
D420,430 S * 2/2000 Lobermeier D23/238
D440,637 S * 4/2001 Lefroy-Brooks D23/255
D450,808 S * 11/2001 Gottwald D23/250

* cited by examiner

Primary Examiner—Ian Simmons

Assistant Examiner—Gregory Andoll

(74) *Attorney, Agent, or Firm*—Herbert Dubno

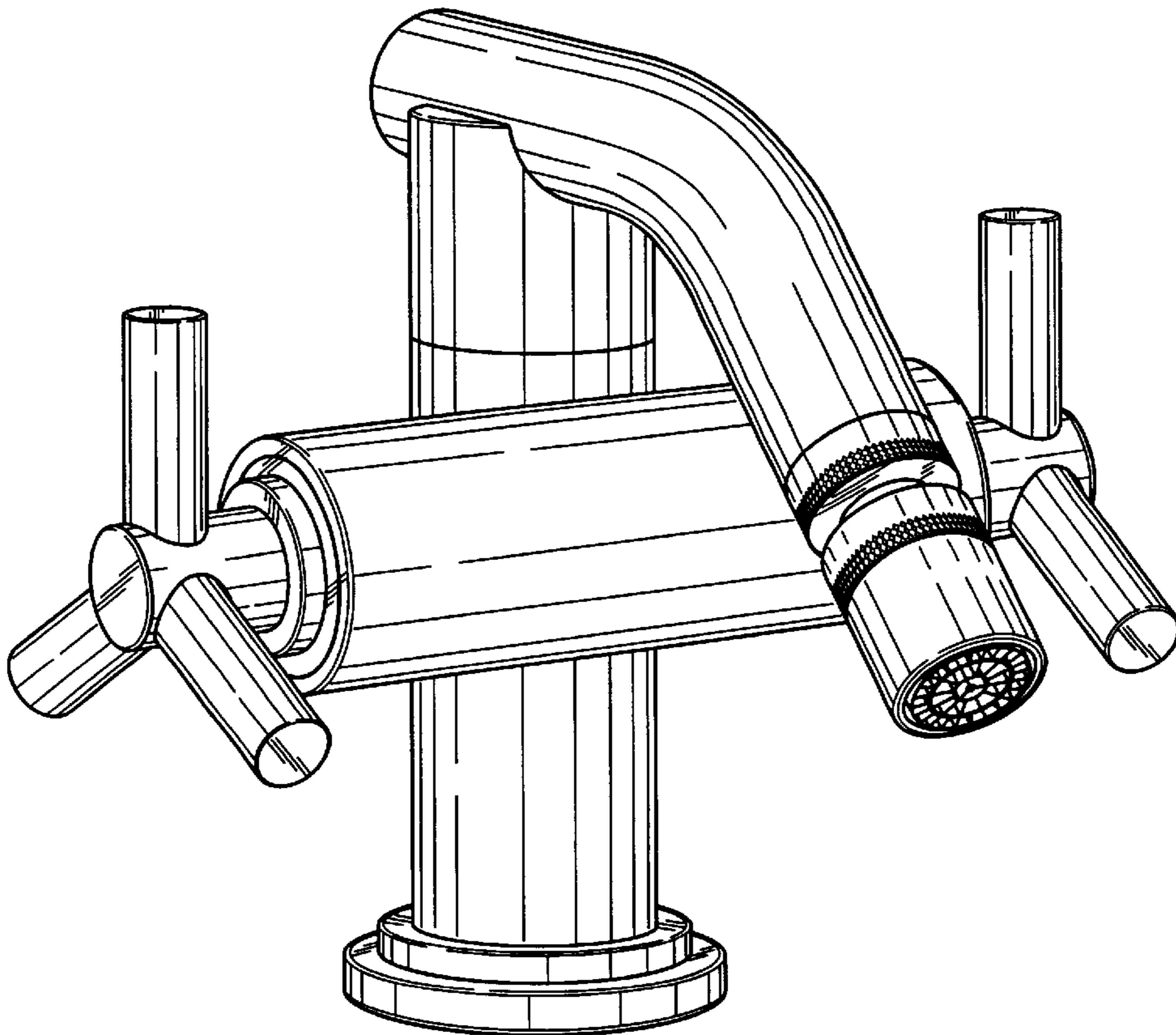
(57) **CLAIM**

The ornamental design for a bidet faucet, as shown and described.

DESCRIPTION

FIG. 1 is a top, front, left-side perspective view of a bidet faucet showing my new design;
FIG. 2 is a top plan view thereof;
FIG. 3 is a front elevational view thereof;
FIG. 4 is a bottom plan view thereof;
FIG. 5 is a rear elevational view thereof; and,
FIG. 6 is a left side elevational view thereof, the right side view being mirror symmetrical thereto.

1 Claim, 3 Drawing Sheets



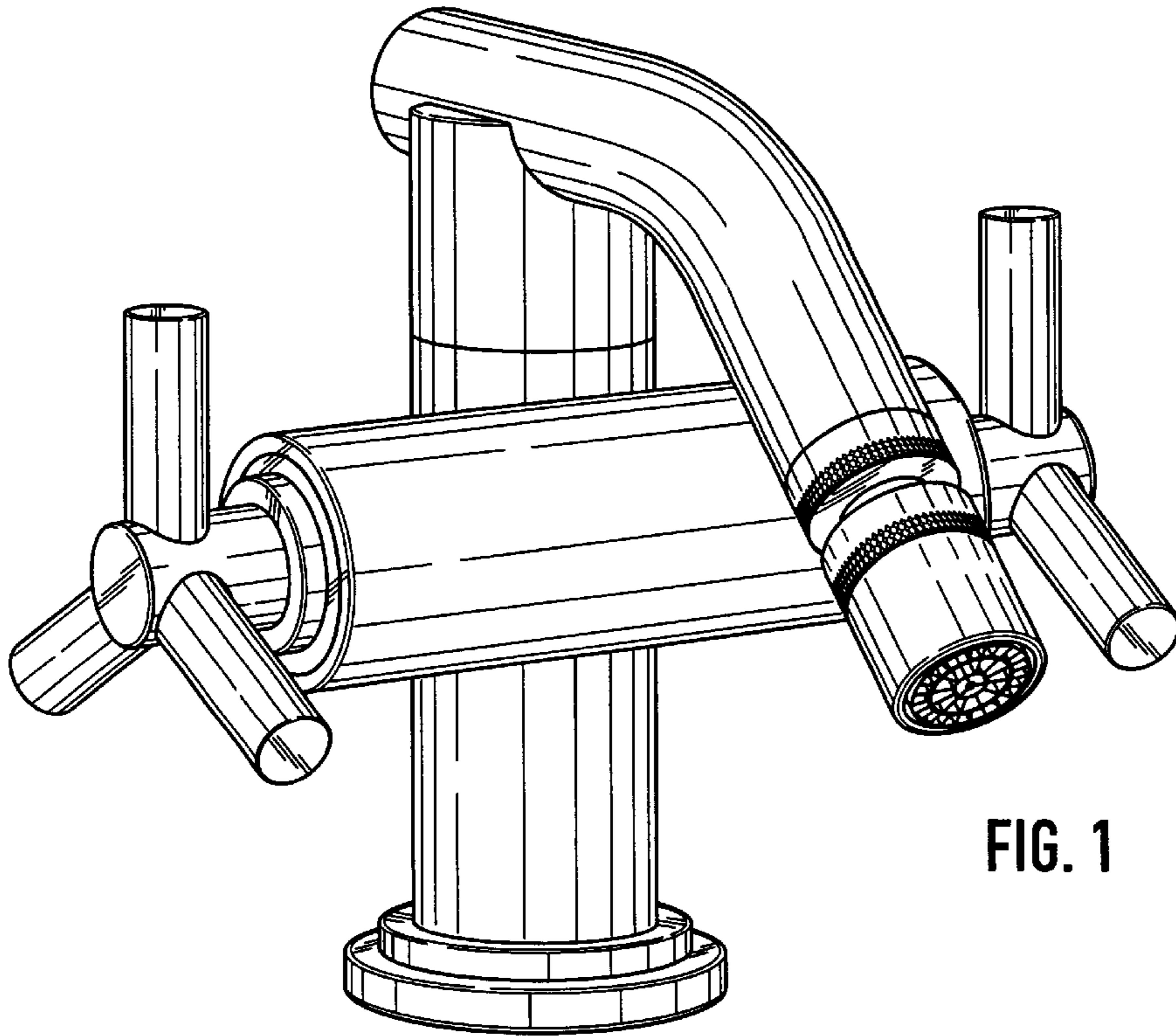


FIG. 1

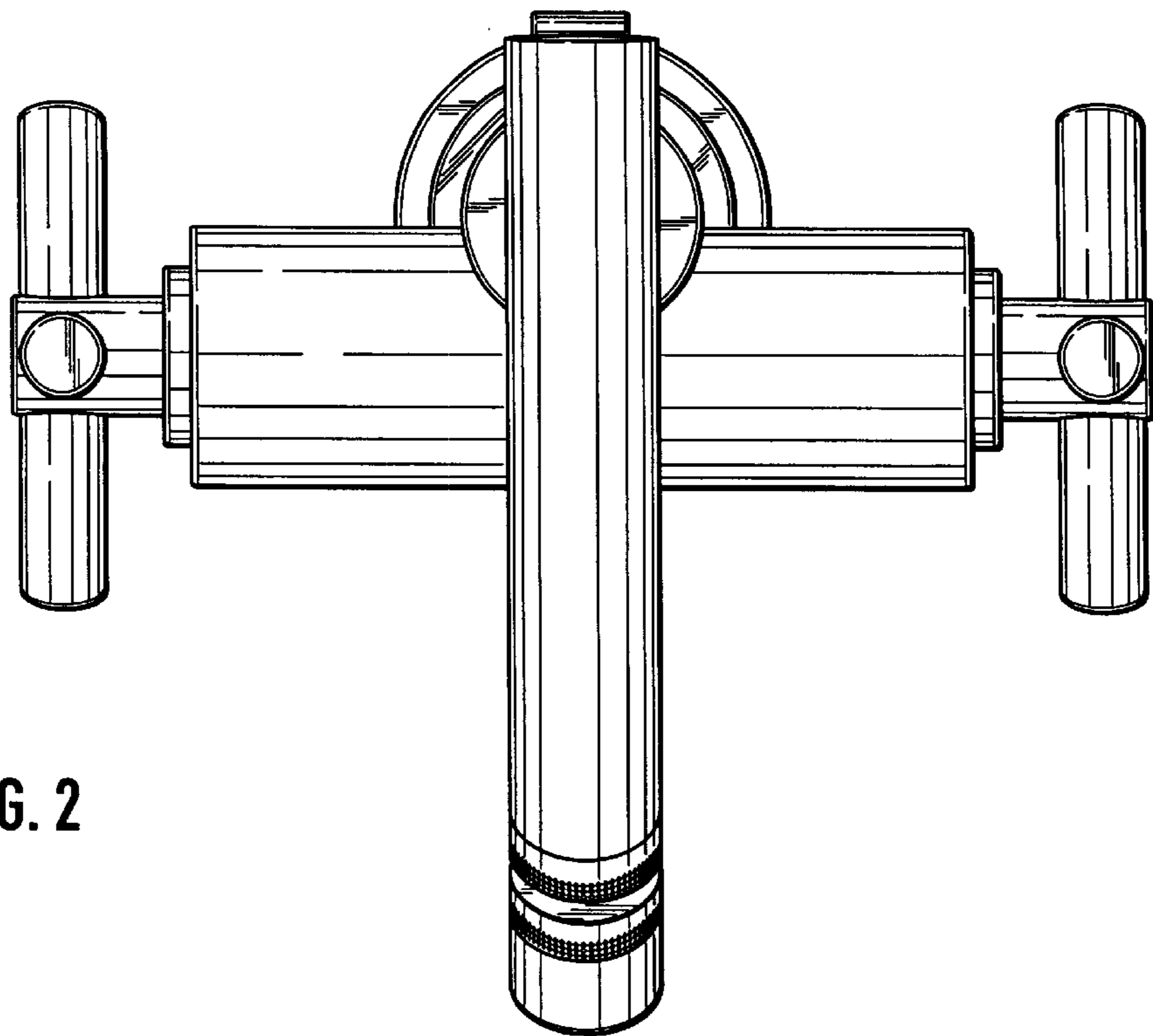


FIG. 2

FIG. 3

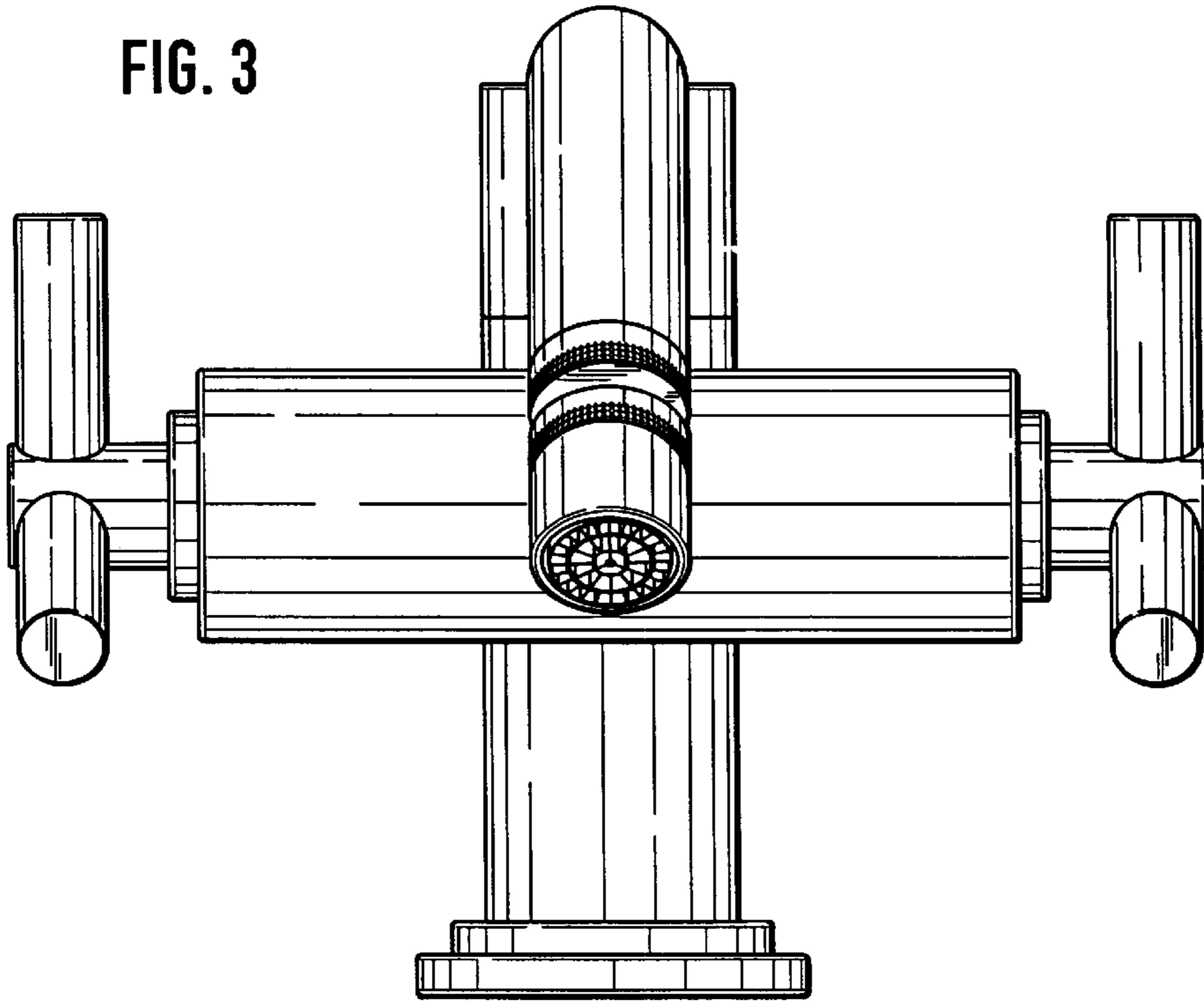
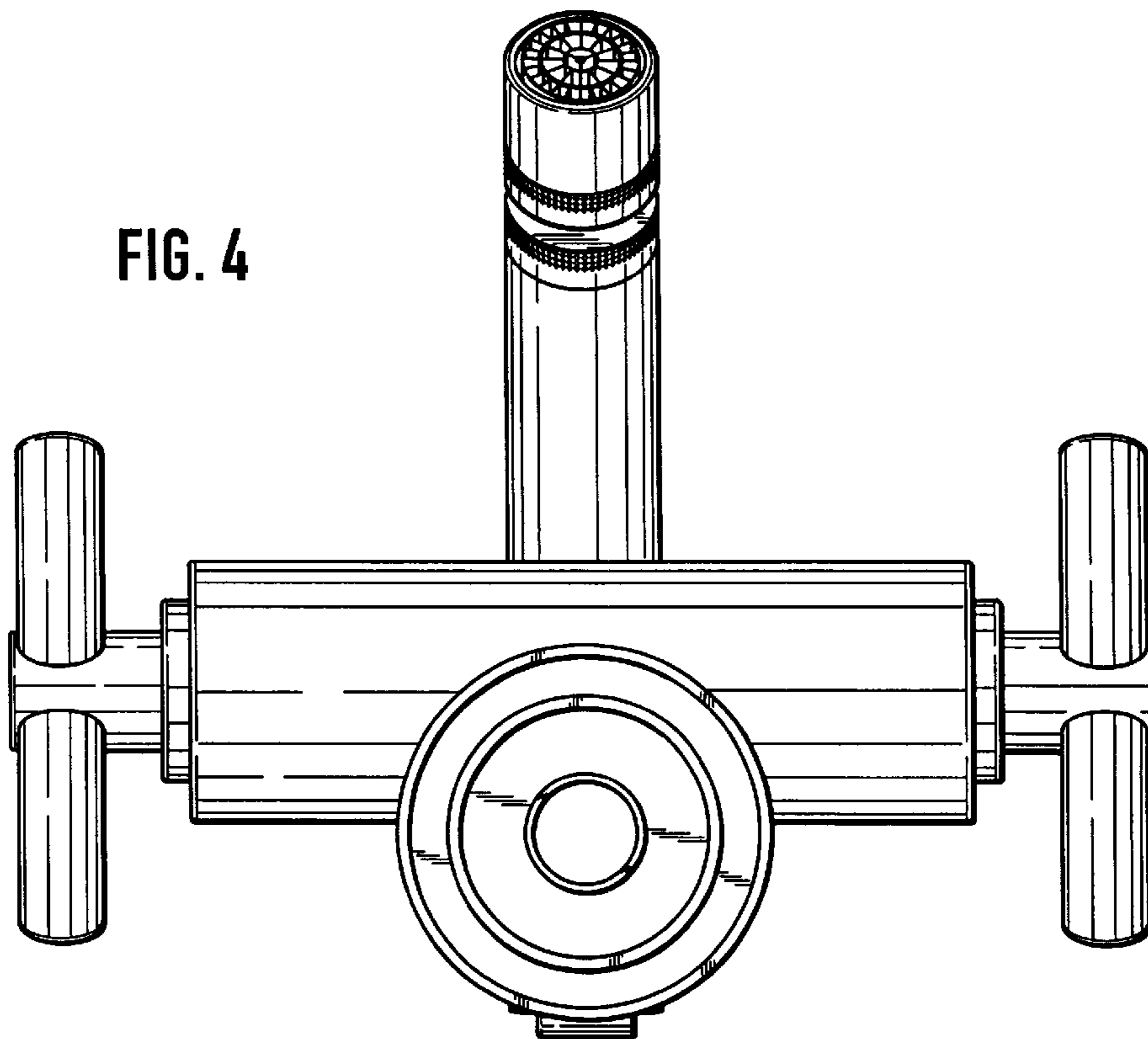


FIG. 4



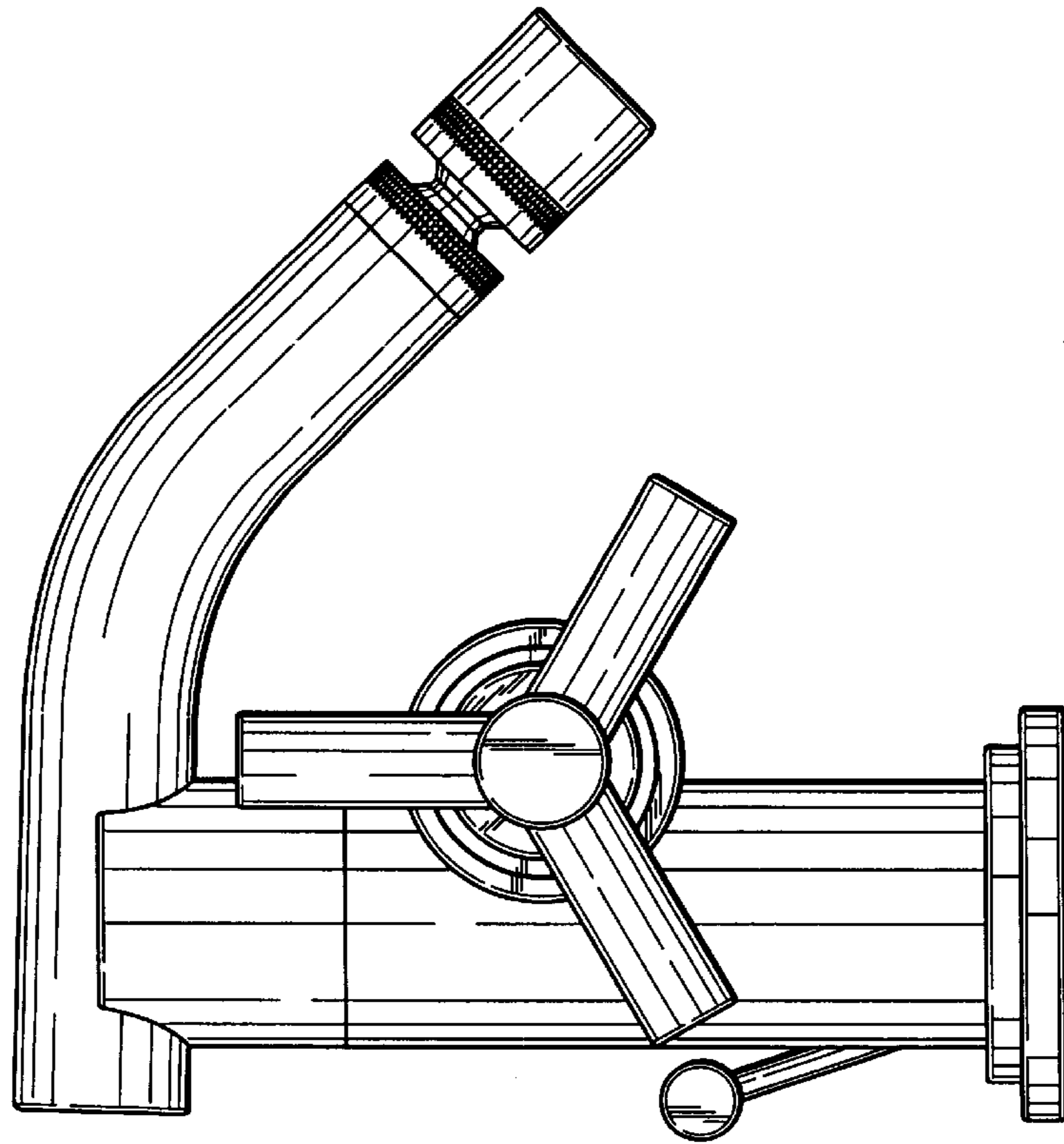


FIG. 6

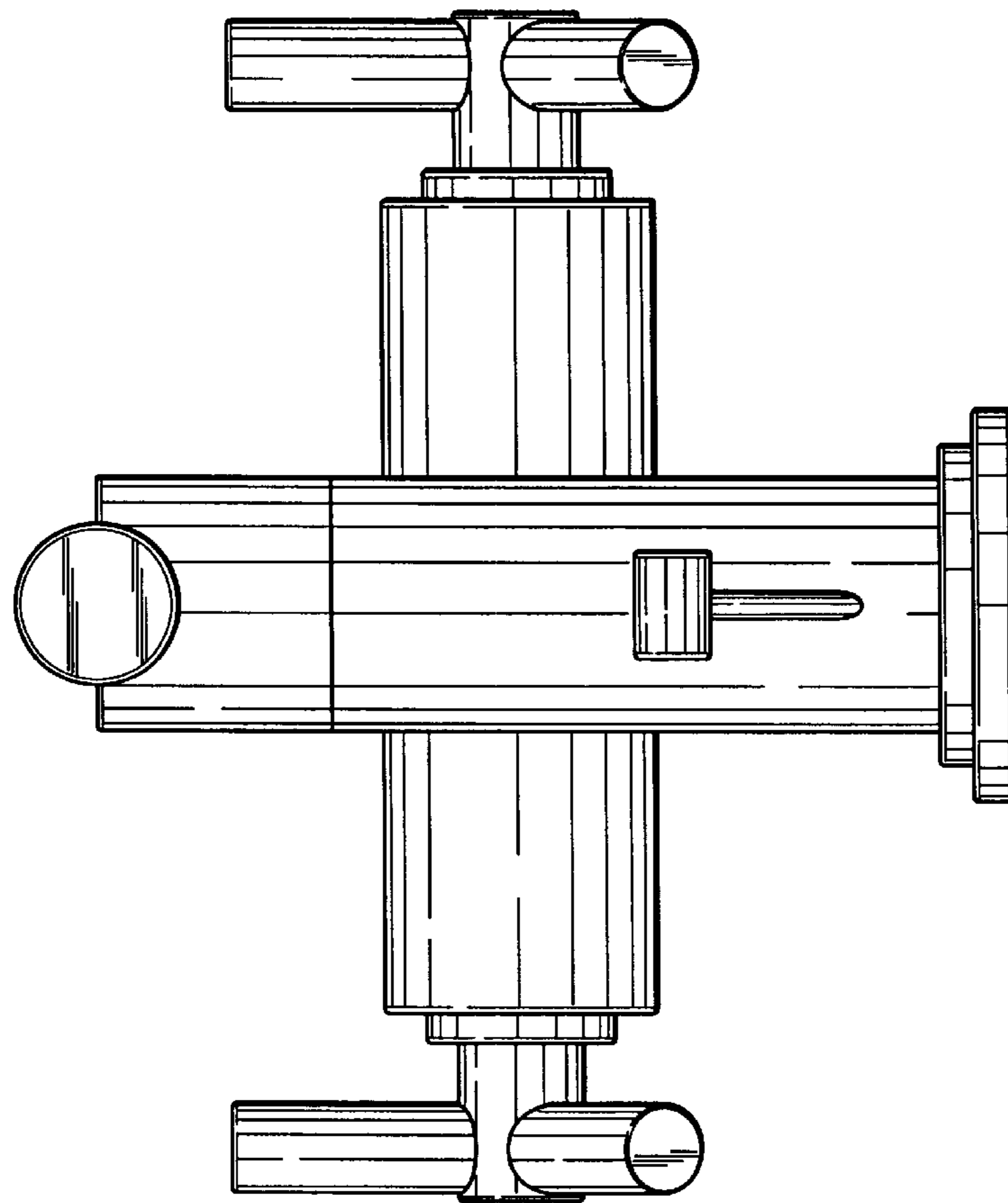


FIG. 5