



US00D457224S

(12) **United States Design Patent**
Gottwald

(10) **Patent No.:** **US D457,224 S**

(45) **Date of Patent:** **** May 14, 2002**

(54) **SINK FAUCET**

(75) Inventor: **Adolf Gottwald**, Iserlohn (DE)

(73) Assignee: **Friedrich Grohe AG & Co. KG**,
Hemer (DE)

(**) Term: **14 Years**

(21) Appl. No.: **29/141,112**

(22) Filed: **Apr. 29, 2001**

(30) **Foreign Application Priority Data**

Nov. 24, 2000 (DE) 400 11 047

(51) **LOC (7) Cl.** **23-01**

(52) **U.S. Cl.** **D23/243; D23/243; D23/241**

(58) **Field of Search** **D23/238-243,**
D23/245, 249-257; 4/675-678; 16/110 R;
137/801

(56) **References Cited**

U.S. PATENT DOCUMENTS

D299,160 S * 12/1988 Lathrop D23/252
D312,300 S * 11/1990 Joerger D23/241
D313,837 S * 1/1991 Heieck D23/241

D331,275 S * 11/1992 Knapp D23/238
D351,218 S * 10/1994 Sieger D23/241
D375,345 S * 11/1996 Warshawsky D23/241
D440,637 S * 4/2001 Lefroy-Brooks D23/255
D444,212 S * 6/2001 Fleischmann D23/243
D450,808 S * 11/2001 Gottwald D23/250

* cited by examiner

Primary Examiner—Ian Simmons

Assistant Examiner—Gregory Andoll

(74) *Attorney, Agent, or Firm*—Herbert Dubno

(57) **CLAIM**

The ornamental design for a sink faucet, as shown and described.

DESCRIPTION

FIG. 1 is a top, front, left-side perspective view of a sink faucet showing my new design;
FIG. 2 is a left side elevational view thereof, the right side view being mirror symmetrical thereto;
FIG. 3 is a front elevational view thereof;
FIG. 4 is a rear elevational view thereof;
FIG. 5 is a top plan view thereof; and,
FIG. 6 is a bottom plan view thereof.

1 Claim, 6 Drawing Sheets

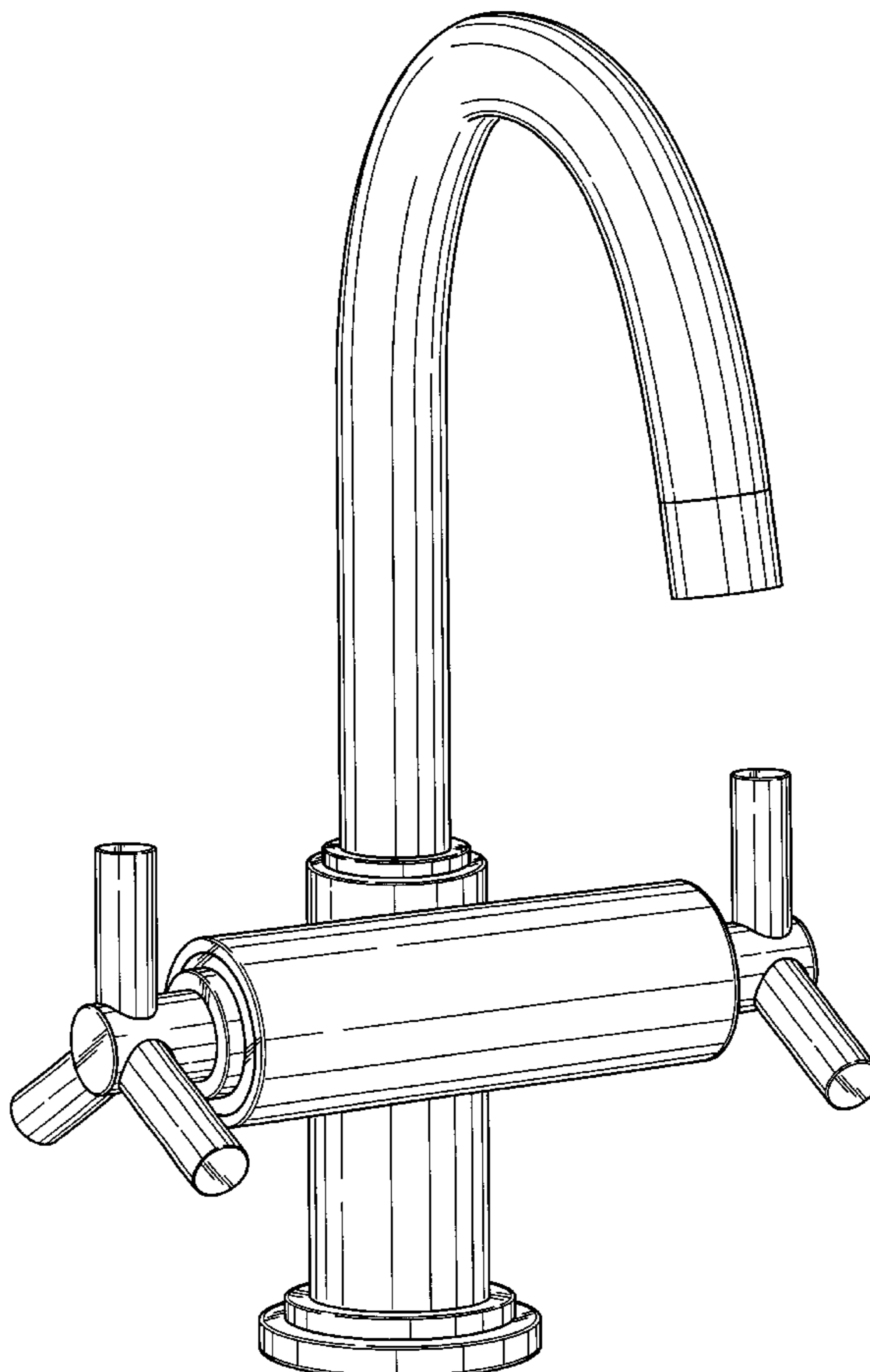
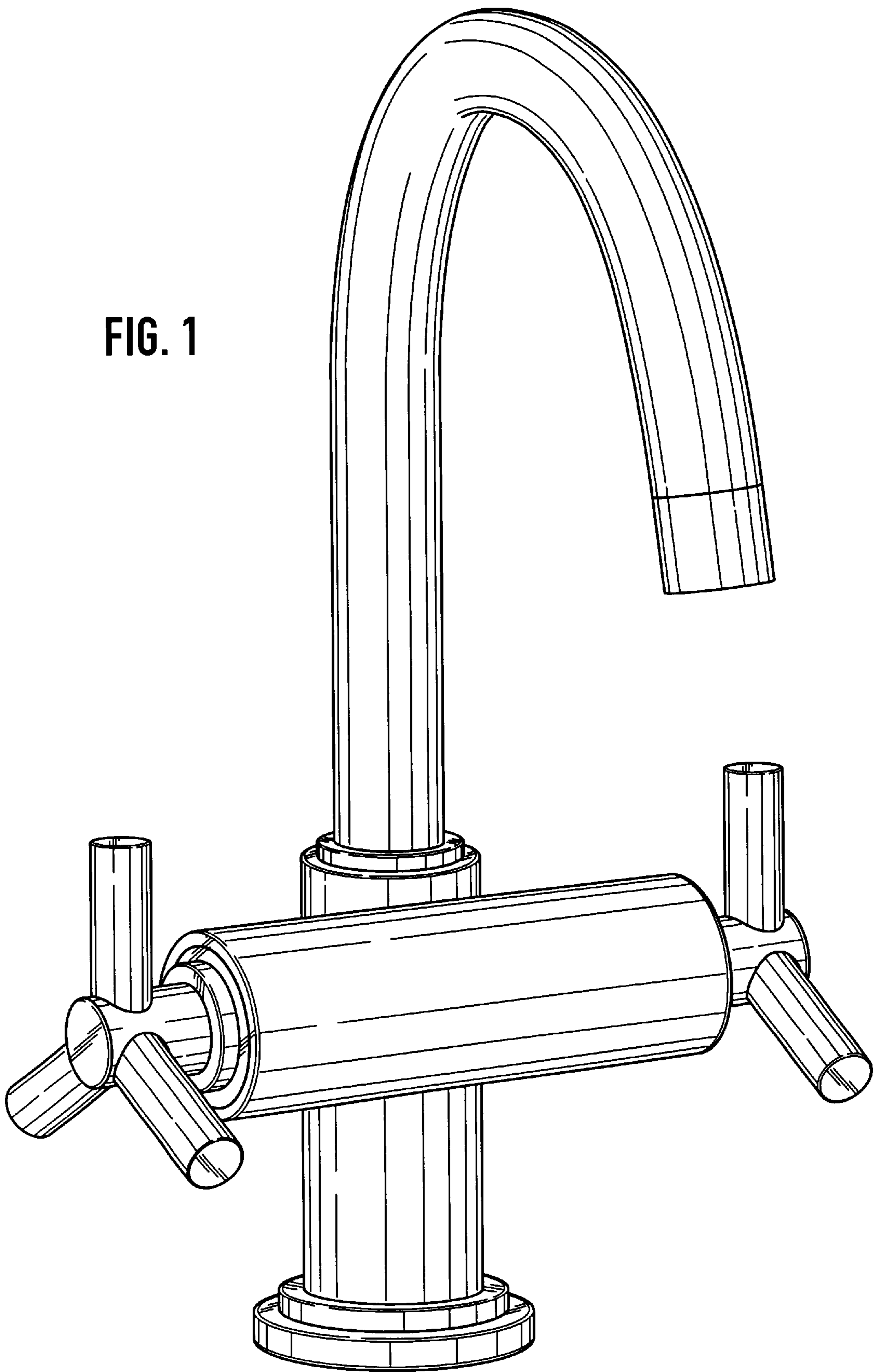


FIG. 1



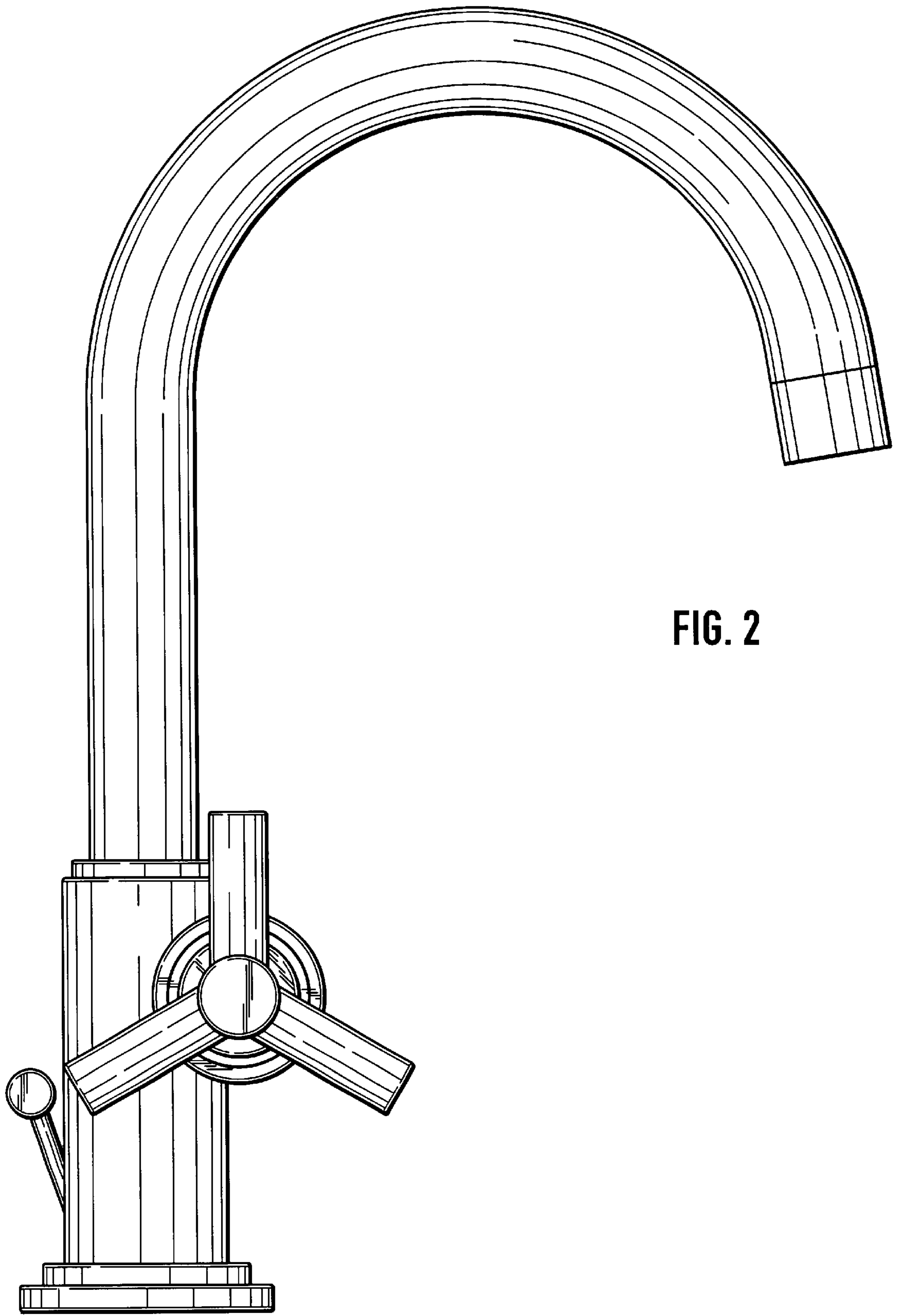


FIG. 2

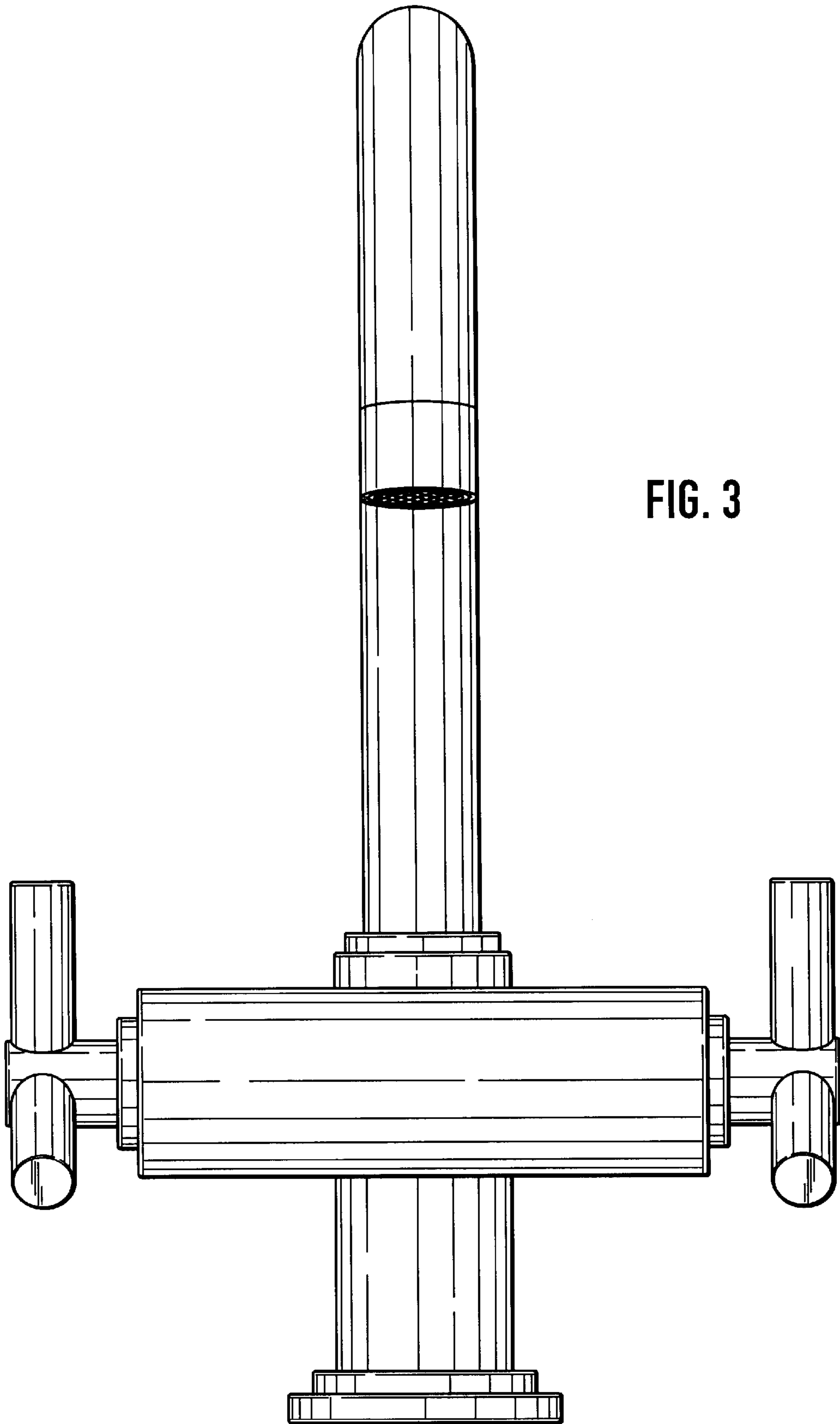


FIG. 3

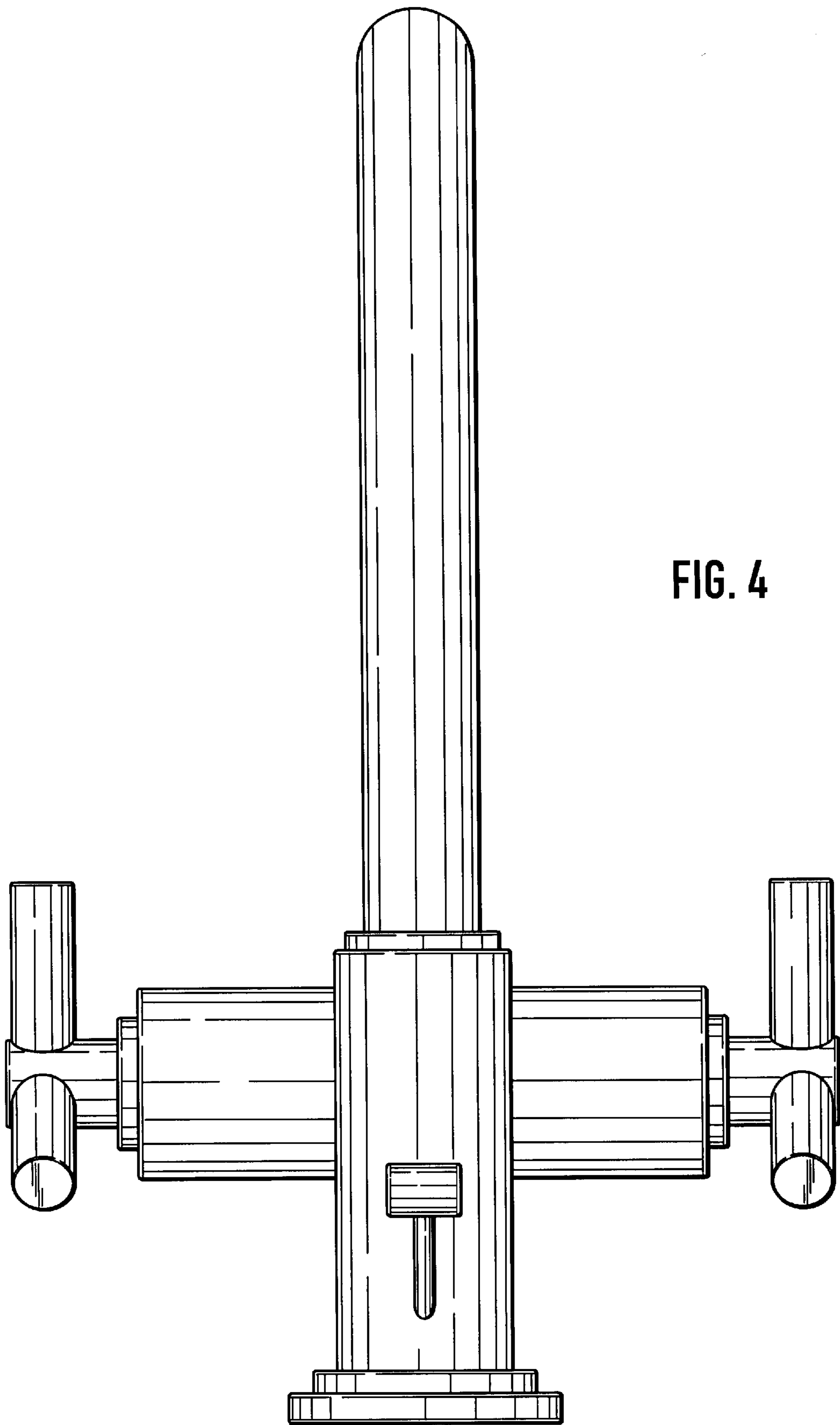


FIG. 4

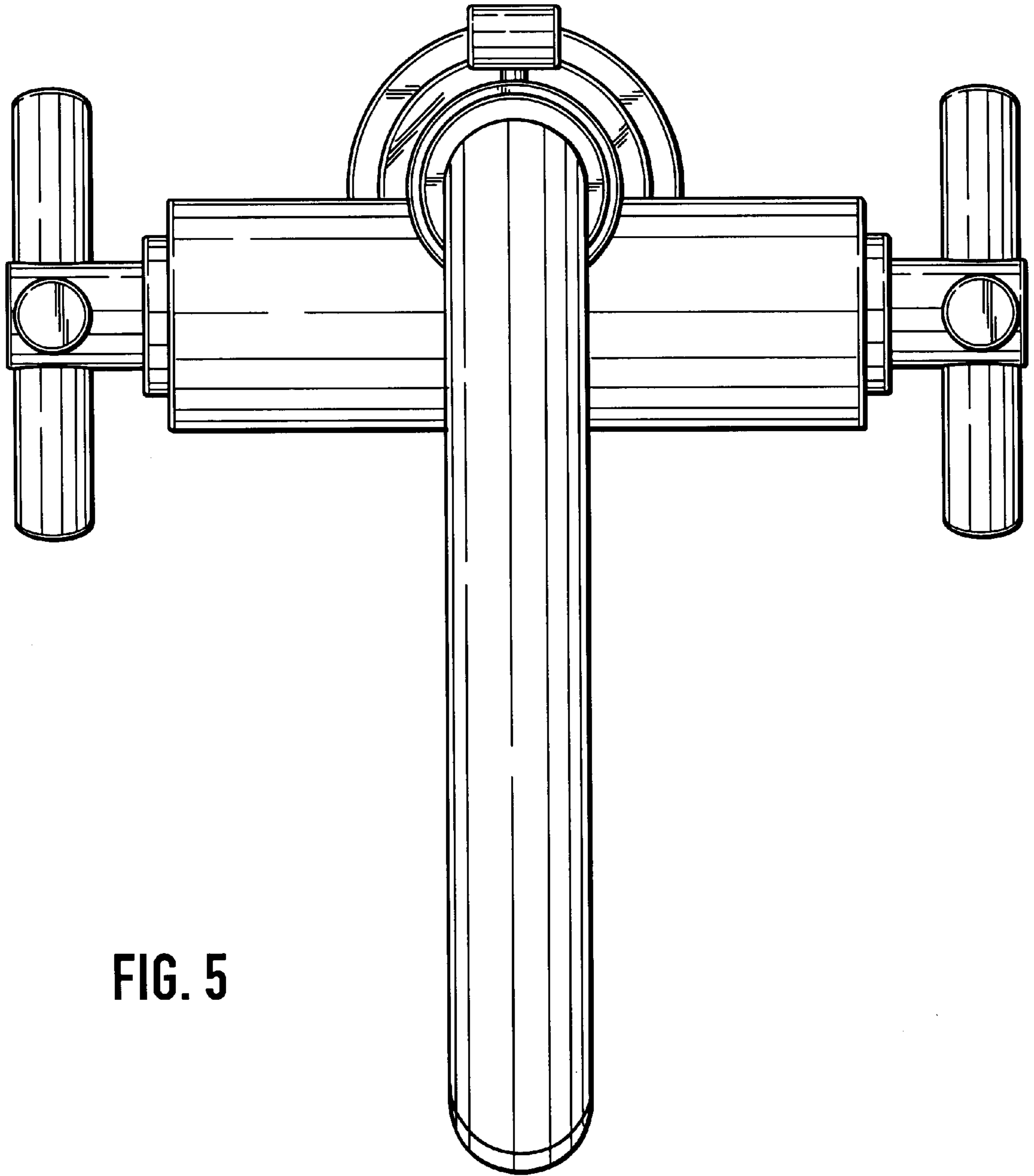


FIG. 5

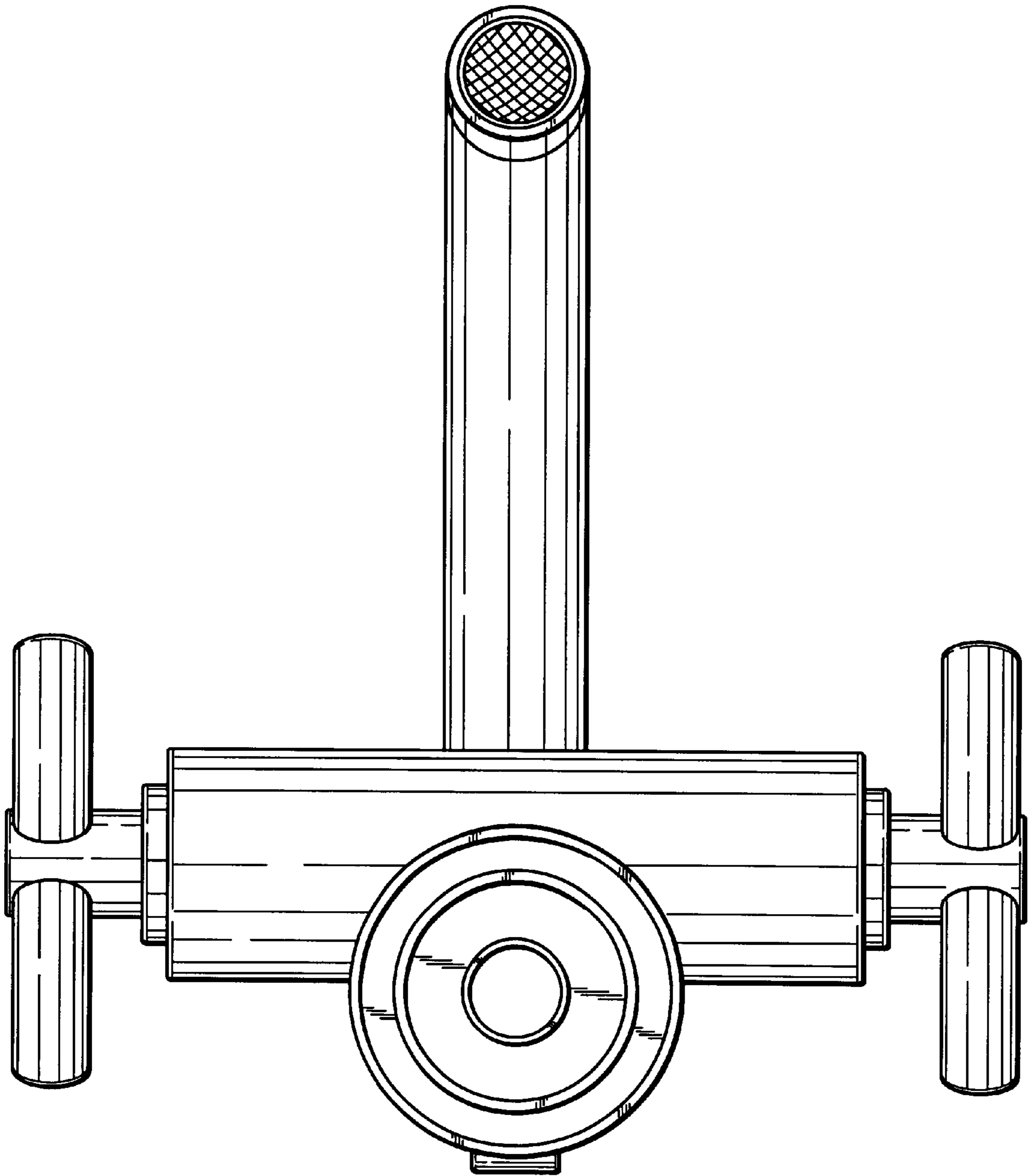


FIG. 6