



US00D457223S

(12) **United States Design Patent**
Gottwald

(10) **Patent No.:** **US D457,223 S**

(45) **Date of Patent:** **** May 14, 2002**

(54) **BATHTUB FAUCET**

(75) **Inventor:** **Adolf Gottwald, Iserlohn (DE)**

(73) **Assignee:** **Friedrich Grohe AG & Co. KG,**
Hemer (DE)

(**) **Term:** **14 Years**

(21) **Appl. No.:** **29/140,960**

(22) **Filed:** **Apr. 26, 2001**

(30) **Foreign Application Priority Data**

Nov. 11, 2000 (DE) 400 10 719

(51) **LOC (7) Cl.** **23-01**

(52) **U.S. Cl.** **D23/242; D23/241; D23/243**

(58) **Field of Search** **D23/238-243,**
D23/245, 249-257; 4/675-678; 16/110 R;
137/801

(56) **References Cited**

U.S. PATENT DOCUMENTS

D67,520 S * 6/1925 Harper D23/243
D339,411 S * 9/1993 Gottwald D23/241
D339,629 S * 9/1993 Gottwald D23/241

D353,651 S * 12/1994 Formgren D23/241
D403,051 S * 12/1998 Lobermeier D23/241
D416,311 S * 11/1999 Fleischmann D23/238
D419,643 S * 1/2000 Gottwald D23/238
D438,597 S * 3/2001 Gottwald et al. D23/238
D450,808 S * 11/2001 Gottwald D23/250

* cited by examiner

Primary Examiner—Ian Simmons

Assistant Examiner—Gregory Andoll

(74) *Attorney, Agent, or Firm*—Herbert Dubno

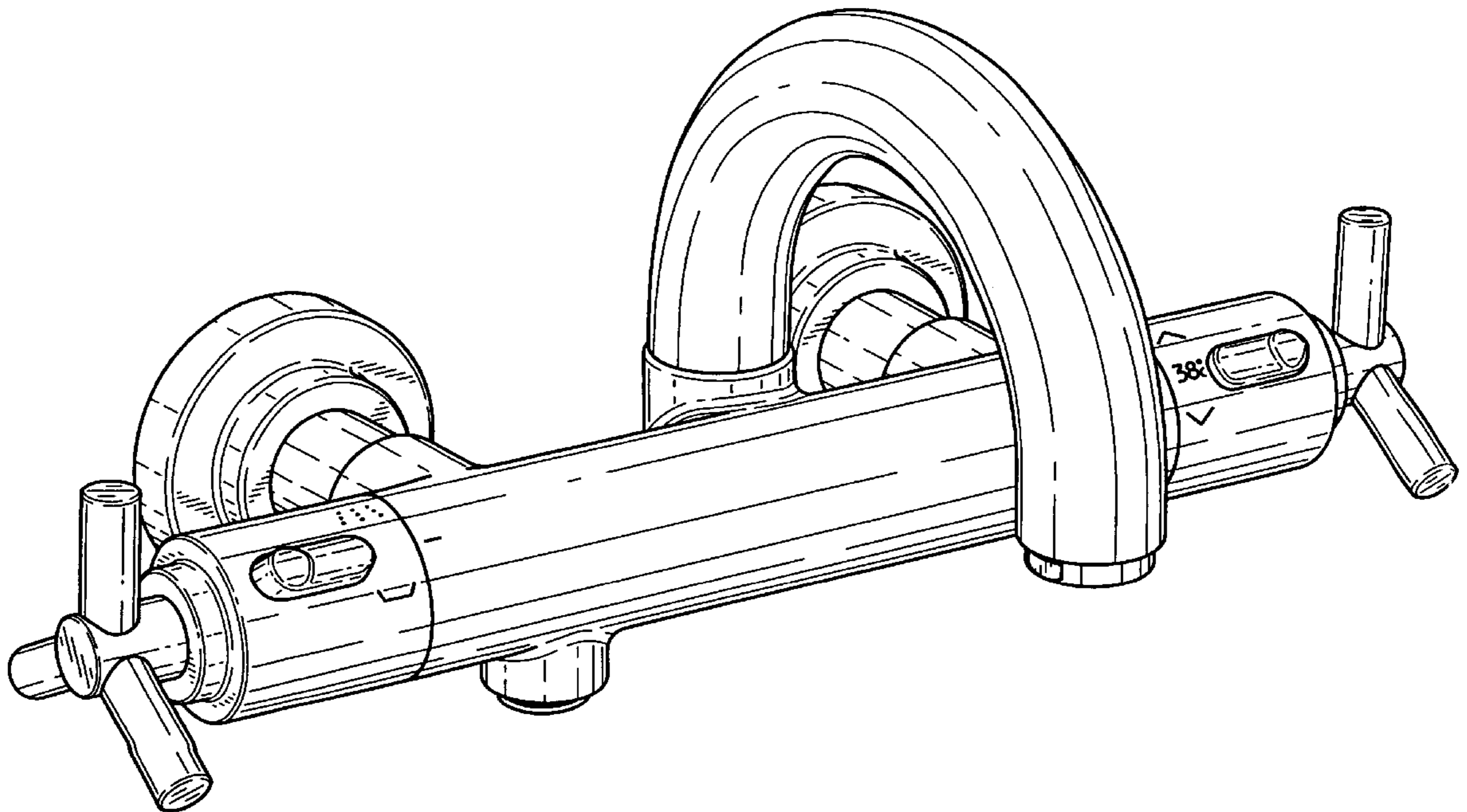
(57) **CLAIM**

The ornamental design for a bathtub faucet, as shown and described.

DESCRIPTION

FIG. 1 is a top, front, left-side perspective view of a bathtub faucet showing my new design;
FIG. 2 is a front elevational view thereof;
FIG. 3 is a rear elevational view thereof;
FIG. 4 is a left side elevational view thereof, the right side view being mirror symmetrical thereto;
FIG. 5 is a top plan view thereof; and,
FIG. 6 is a bottom plan view thereof.

1 Claim, 6 Drawing Sheets



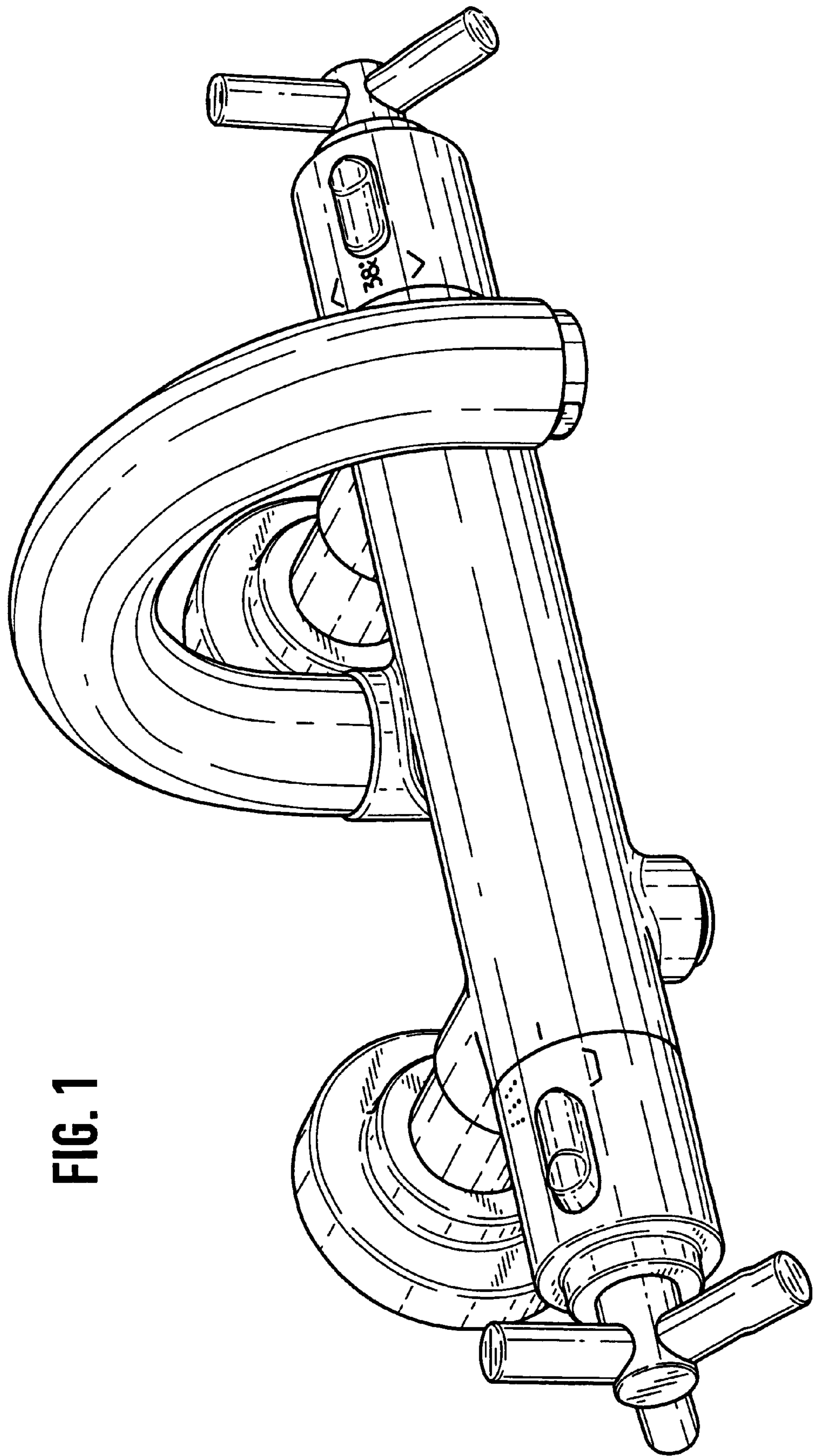


FIG. 1

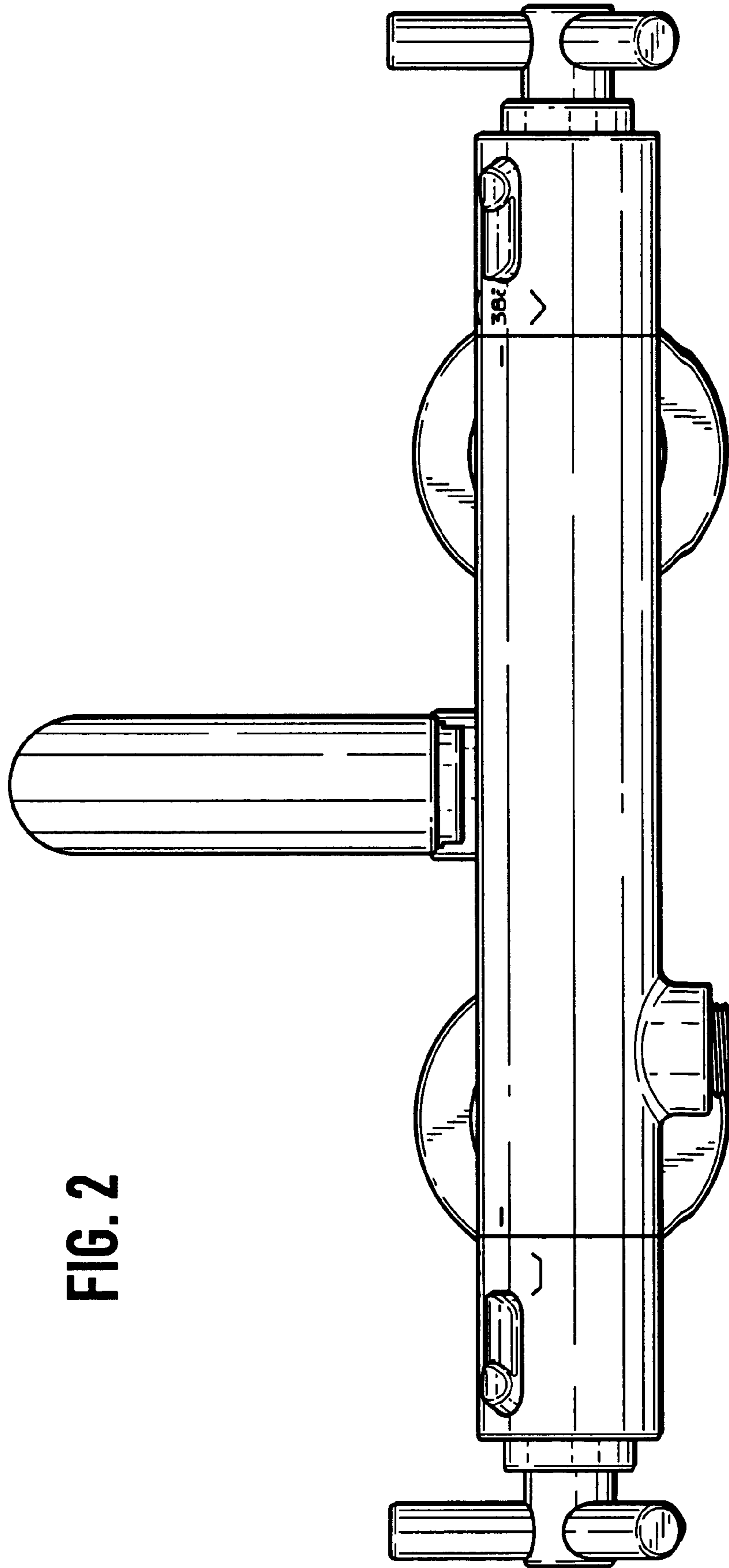


FIG. 2

FIG. 3

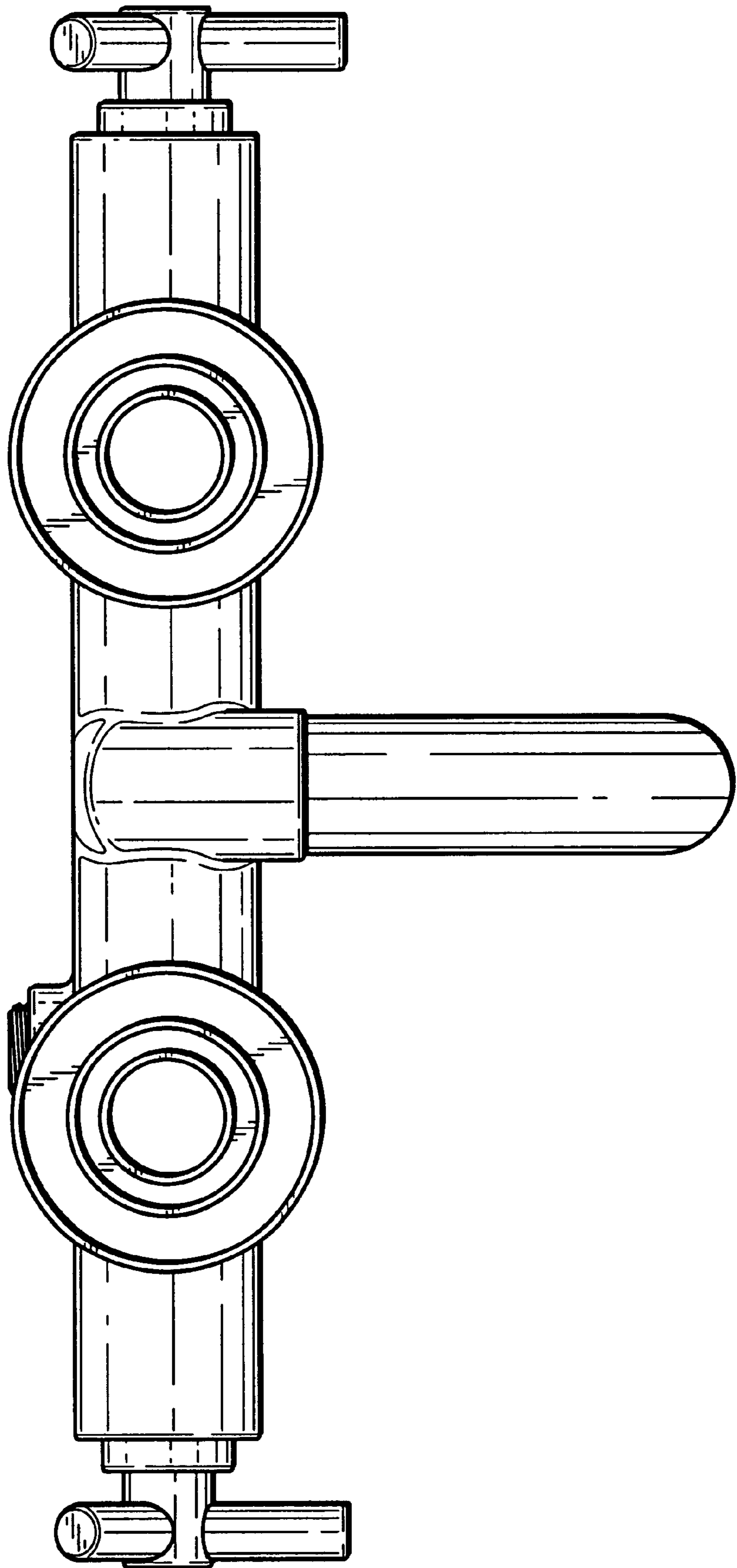
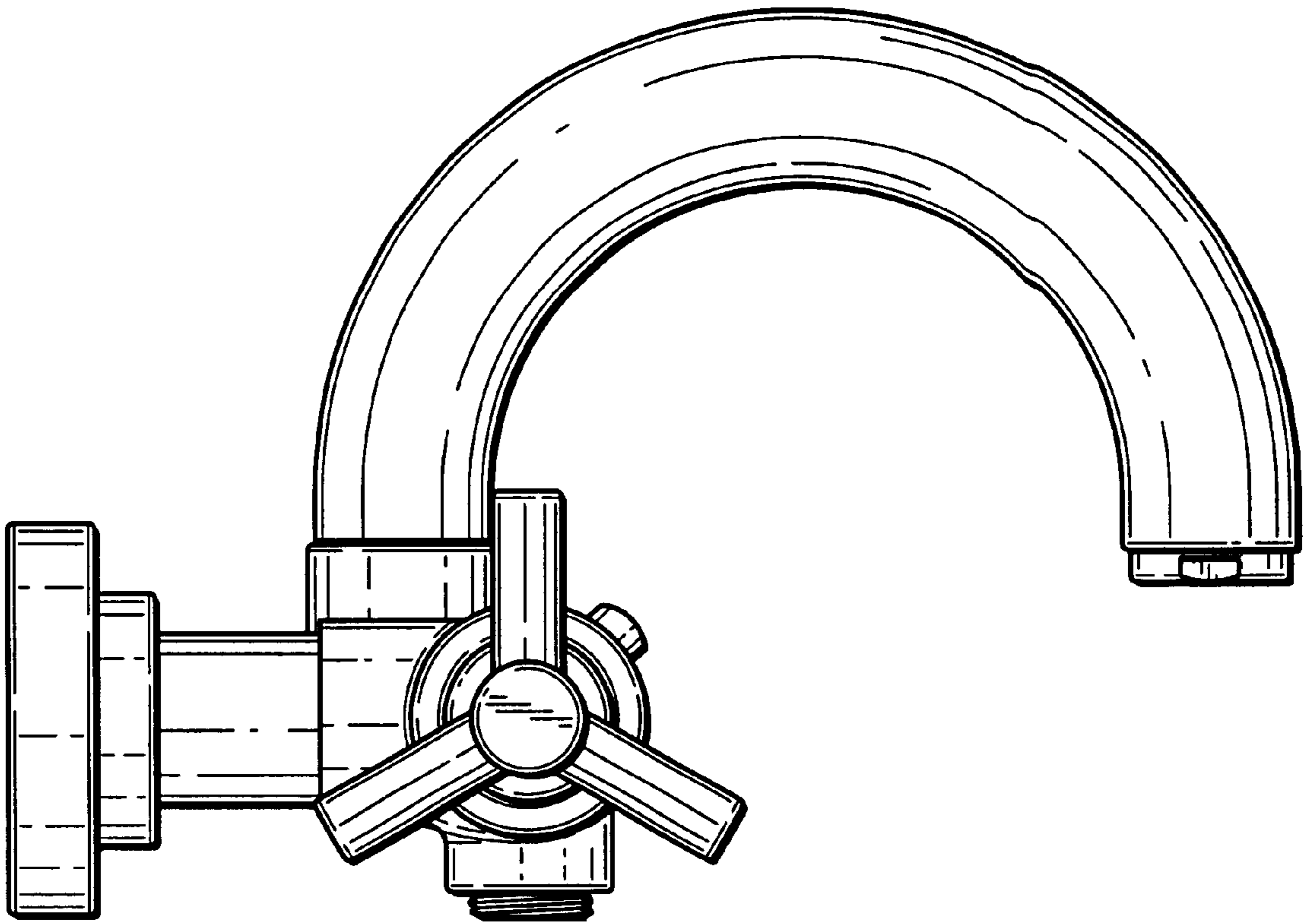


FIG. 4



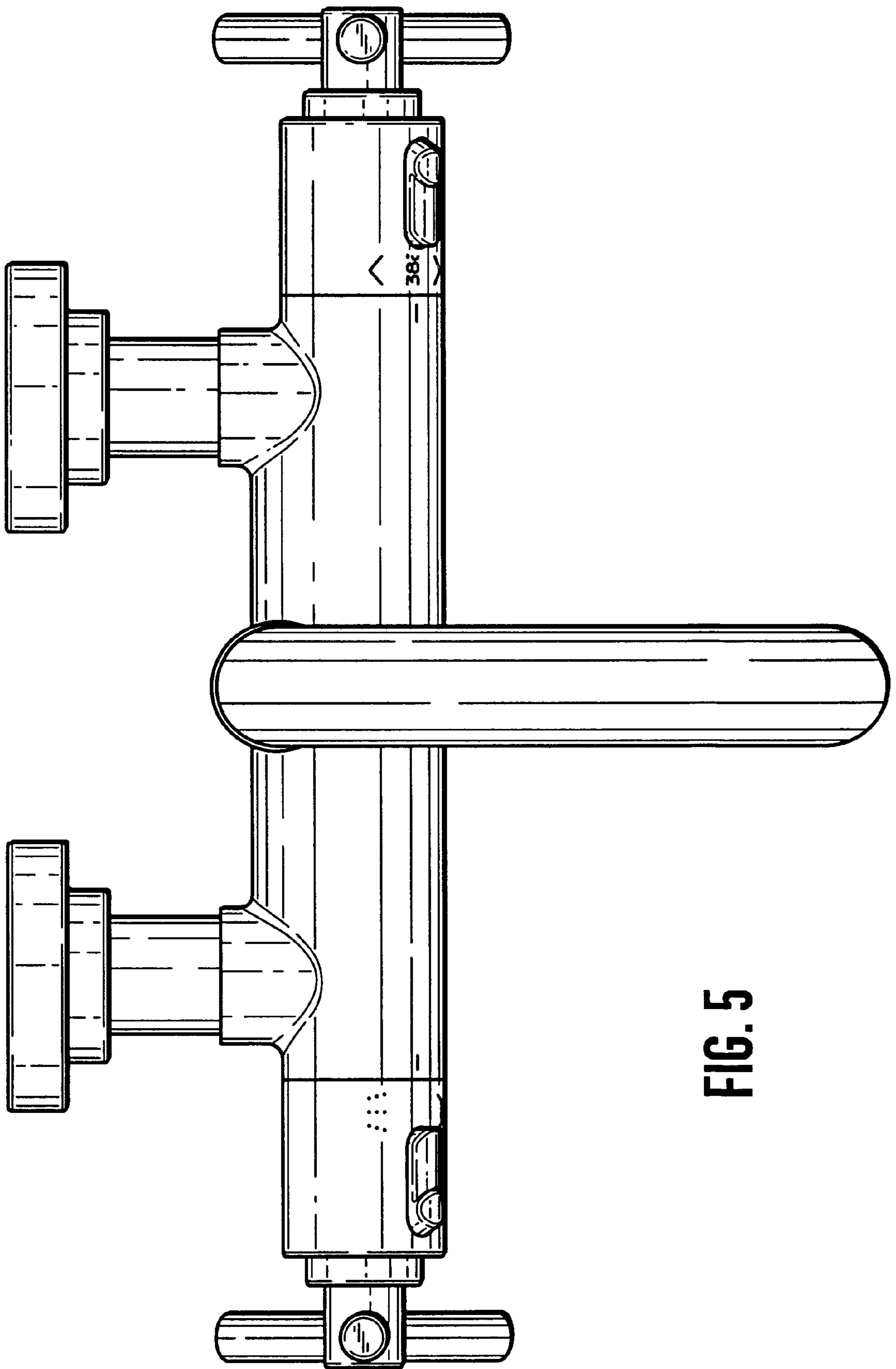


FIG. 5

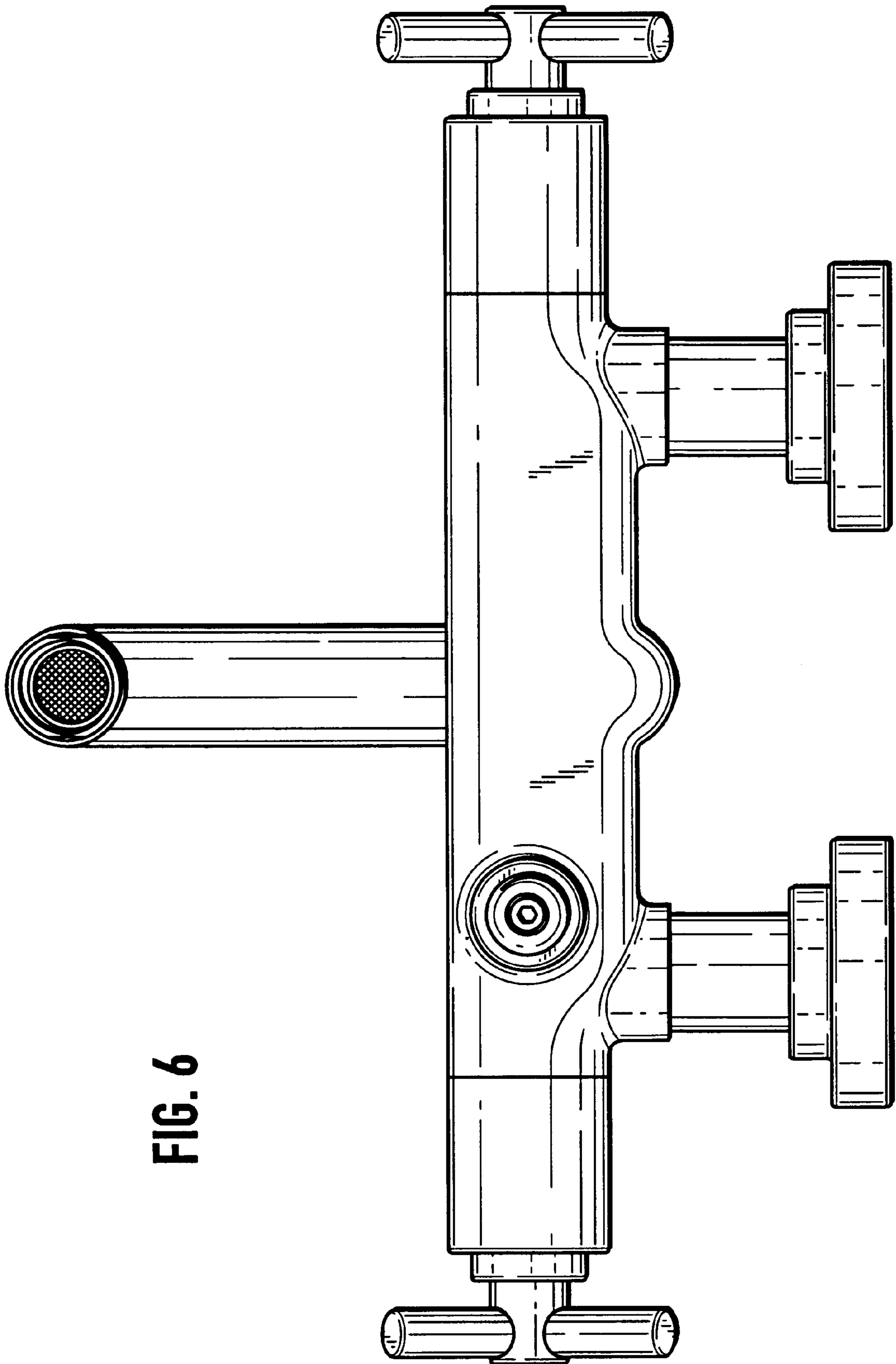


FIG. 6