



US00D457220S

(12) **United States Design Patent**
Huckaba

(10) **Patent No.:** **US D457,220 S**

(45) **Date of Patent:** **** May 14, 2002**

(54) **FISH SCALING TOOL**

(76) **Inventor:** **Harold L. Huckaba**, P.O. Box 454,
Weatherford, OK (US) 73096

(**) **Term:** **14 Years**

(21) **Appl. No.:** **29/140,857**

(22) **Filed:** **Apr. 27, 2001**

(51) **LOC (7) Cl.** **22-05**

(52) **U.S. Cl.** **D22/149**

(58) **Field of Search** D22/149, 134,
D22/199; D7/696, 692, 695, 395; 30/113.3,
279.6; 452/103, 105; 119/631; D8/10

(56) **References Cited**

U.S. PATENT DOCUMENTS

598,463 A	2/1898	Foster	452/103
752,118 A	2/1904	Stearns	452/103
1,424,722 A	8/1922	Hartleb	452/105
2,435,351 A	2/1948	Hay	452/103
2,516,414 A	* 7/1950	Pilliod	119/631
D219,974 S	* 2/1971	Salzmann	D22/149
D228,286 S	* 9/1973	Gilbert	D22/149
D229,159 S	* 11/1973	Kinney	D22/149
D229,659 S	12/1973	Murnan	D7/696
3,885,271 A	5/1975	Kollander	452/103

D240,035 S	* 5/1976	Ruth	D22/149
4,046,109 A	* 9/1977	Miller et al.	119/631
D316,213 S	* 4/1991	Skerker et al.	D7/696
D352,873 S	* 11/1994	Chen	D8/10 X
D420,868 S	* 2/2000	Hasegawa	D7/696

* cited by examiner

Primary Examiner—Catherine R. Oliver

(74) *Attorney, Agent, or Firm*—Stephen R. Greiner

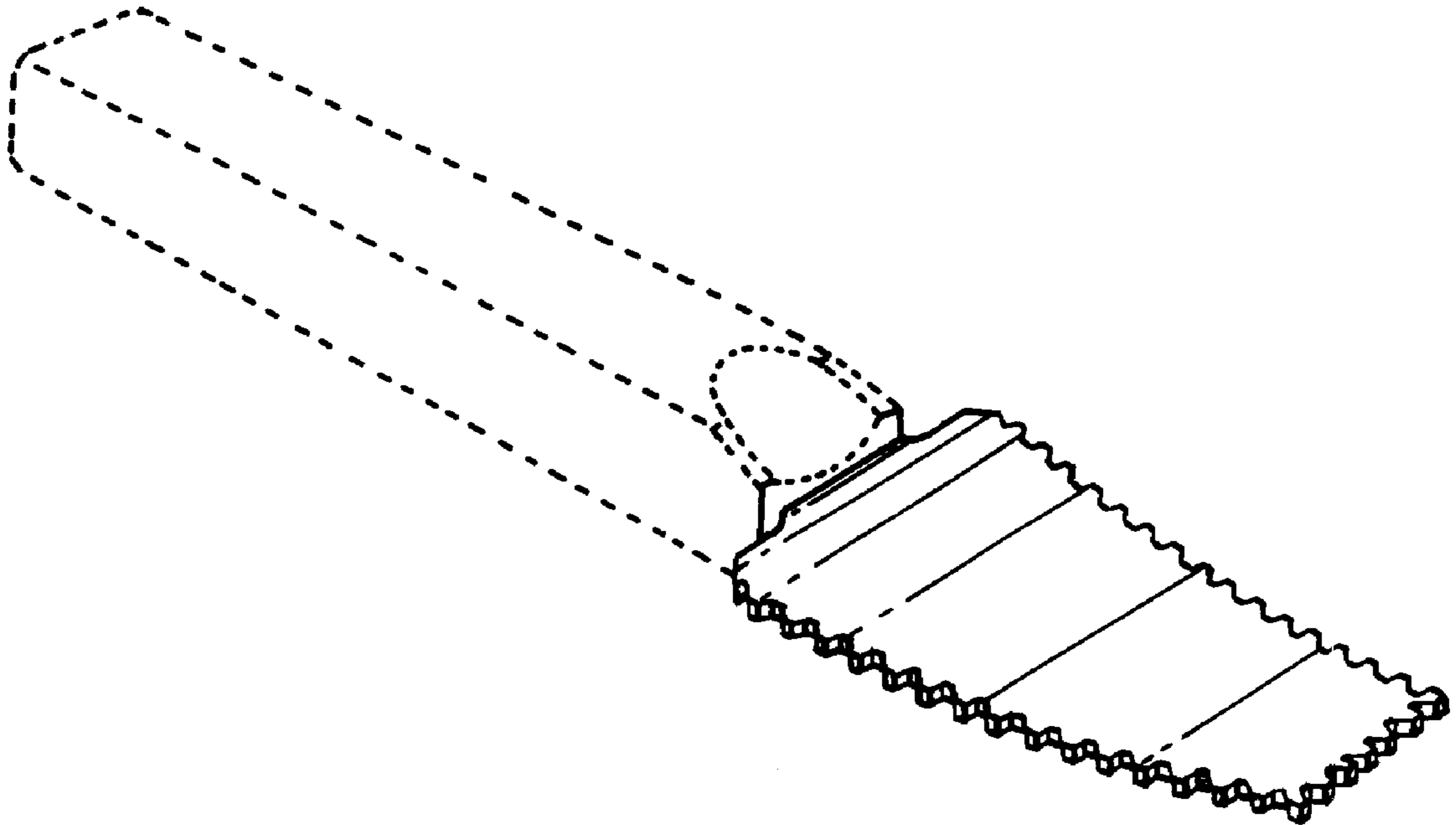
(57) **CLAIM**

The ornamental design for a fish scaling tool, as shown and described.

DESCRIPTION

FIG. 1 is a perspective view of a fish scaling tool showing my new design;
 FIG. 2 is a top view thereof;
 FIG. 3 is a bottom view thereof;
 FIG. 4 is a right side elevational view with the left side being a mirror image thereof;
 FIG. 5 is a front elevational view thereof; and,
 FIG. 6 is a rear elevational view thereof.
 The broken line showing of a handle in each of the figures of the drawings is for demonstrative purposes only and forms no part of the claimed design.

1 Claim, 1 Drawing Sheet



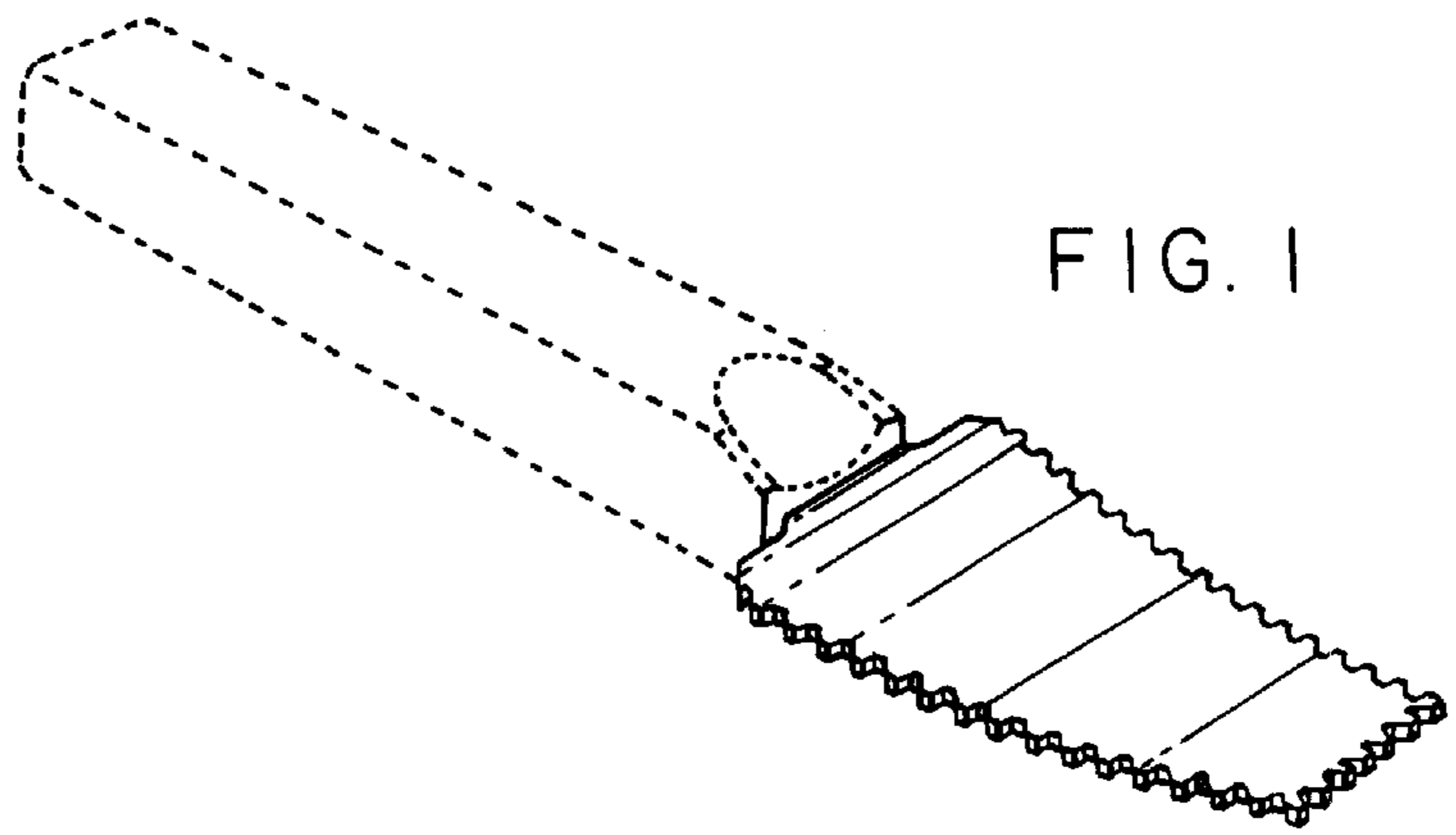


FIG. 1

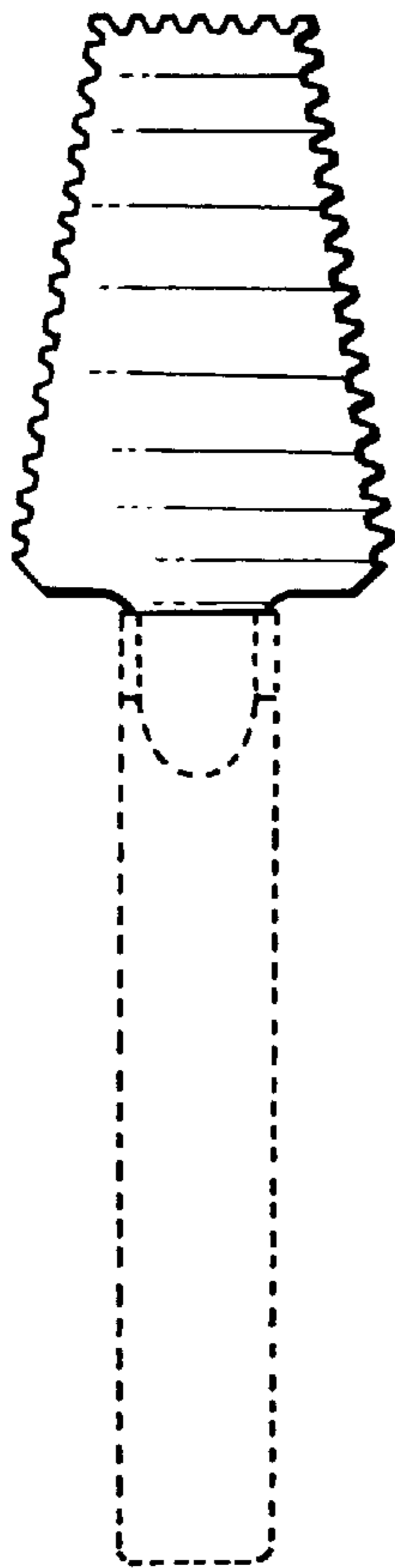


FIG. 2

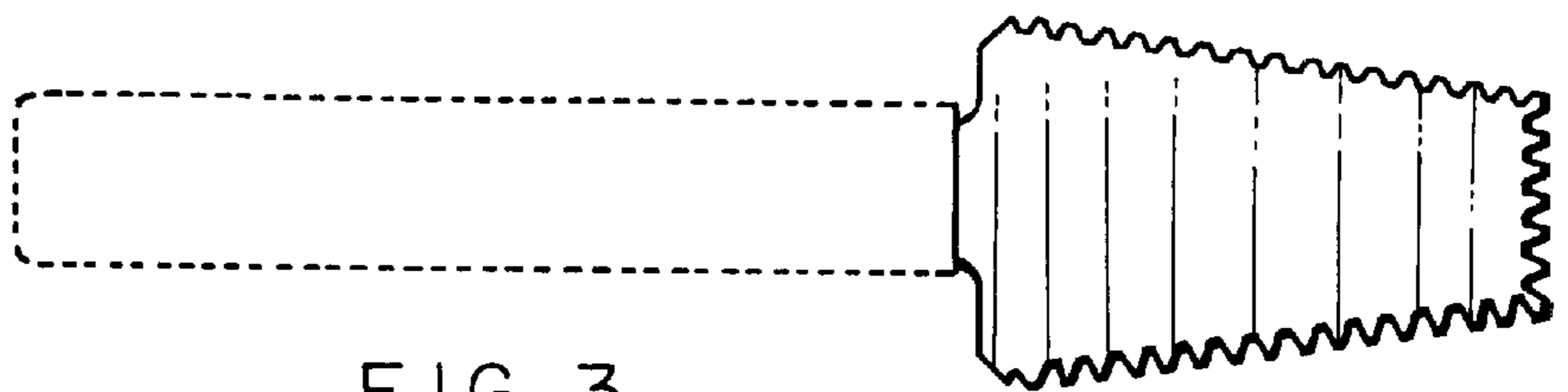


FIG. 3



FIG. 4



FIG. 5

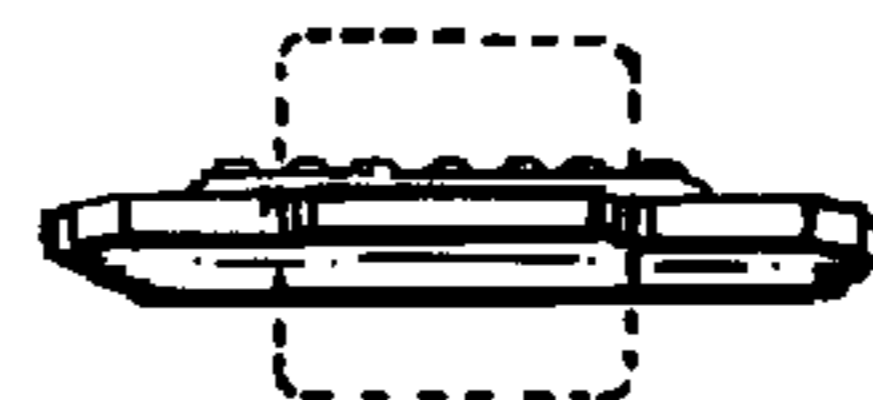


FIG. 6