



US00D457210S

(12) **United States Design Patent**  
**Noda**

(10) **Patent No.:** **US D457,210 S**

(45) **Date of Patent:** **\*\* May 14, 2002**

(54) **GOLF CLUB HEAD**

FOREIGN PATENT DOCUMENTS

(76) Inventor: **Hiroshi Noda**, 599 Lexington Ave.,  
Suite 2705, New York, NY (US) 10022

GB 16148 9/1892

(\*\*) Term: **14 Years**

\* cited by examiner

*Primary Examiner*—Mitchell Siegel

(21) Appl. No.: **29/137,794**

(57) **CLAIM**

(22) Filed: **Feb. 26, 2001**

The ornamental design for a golf club head, as shown and described.

(51) **LOC (7) Cl.** ..... **21-02**

**DESCRIPTION**

(52) **U.S. Cl.** ..... **D21/736**

(58) **Field of Search** ..... D21/736-746;  
473/251-256, 324, 327, 328, 340, 341

FIG. 1 is a prospective view of a golf club head showing my new design;

(56) **References Cited**

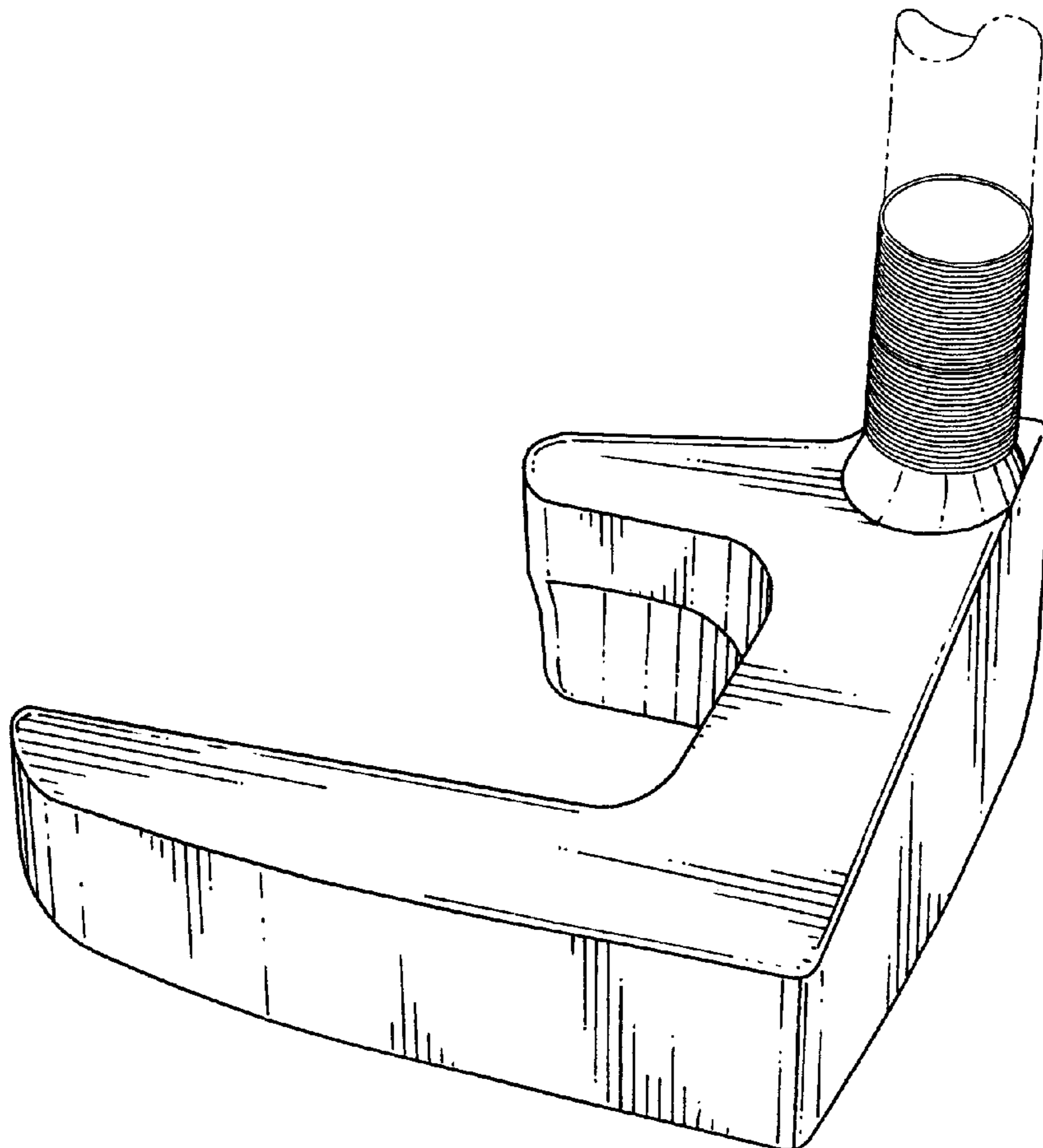
U.S. PATENT DOCUMENTS

653,483 A	7/1900	McCrea	
1,064,916 A	6/1913	Kelly et al.	
1,625,265 A	4/1927	Malloy	
1,930,477 A	10/1933	Hosier	
D198,631 S	* 7/1964	Hogan	D21/744
D246,865 S	1/1978	Krysakowski	
D380,513 S	* 7/1997	Noda	D21/736
D405,136 S	* 2/1999	Behling	D21/736

FIG. 2 is a top plan view thereof;  
FIG. 3 is a front elevational view thereof;  
FIG. 4 is a right side view thereof;  
FIG. 5 is a rear elevational view thereof;  
FIG. 6 is a left side elevational view thereof; and,  
FIG. 7 is a bottom plan view thereof.

The broken line showing of a fragmented shaft is for illustrative purposes only and forms no part of the claimed design.

**1 Claim, 2 Drawing Sheets**



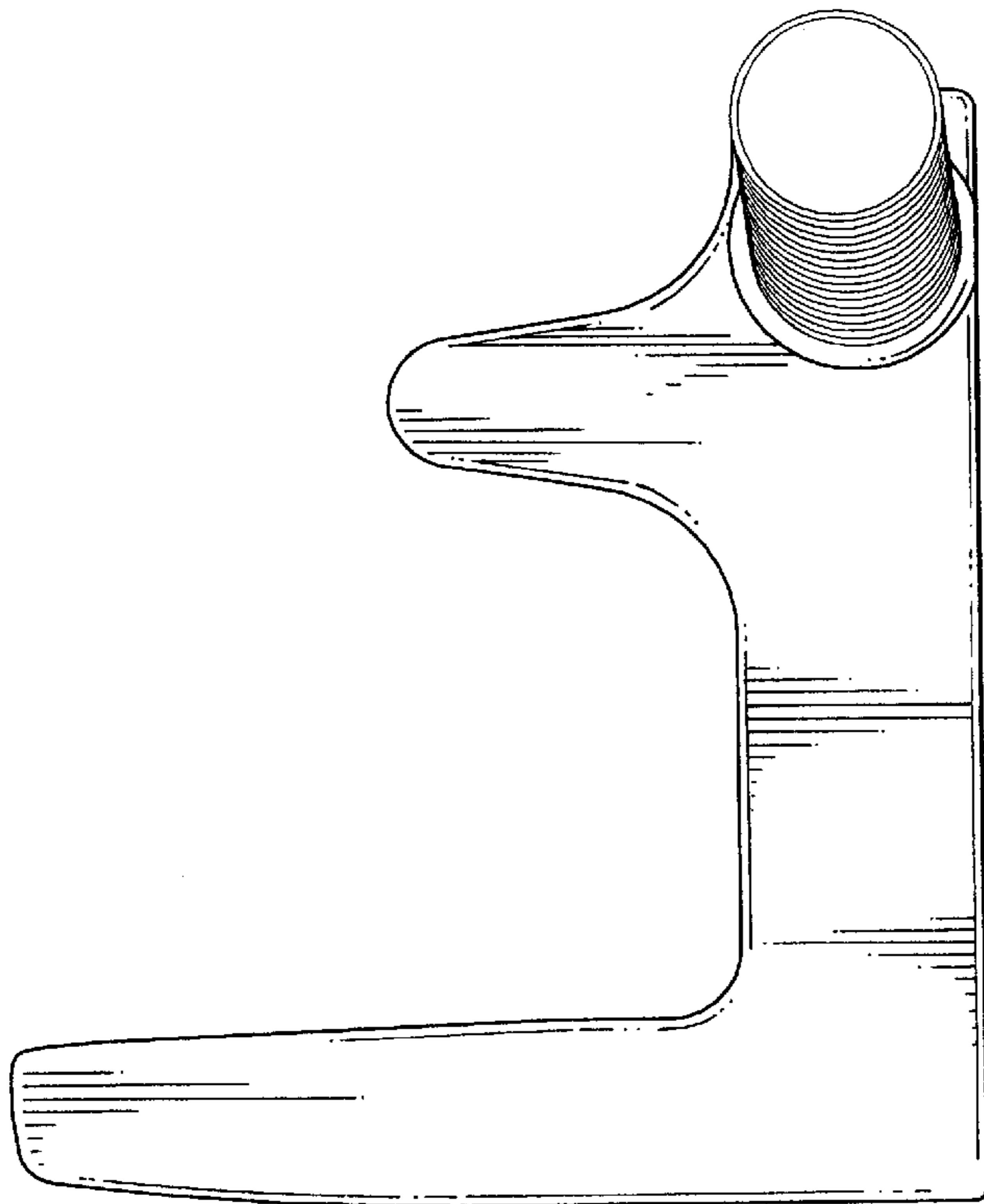
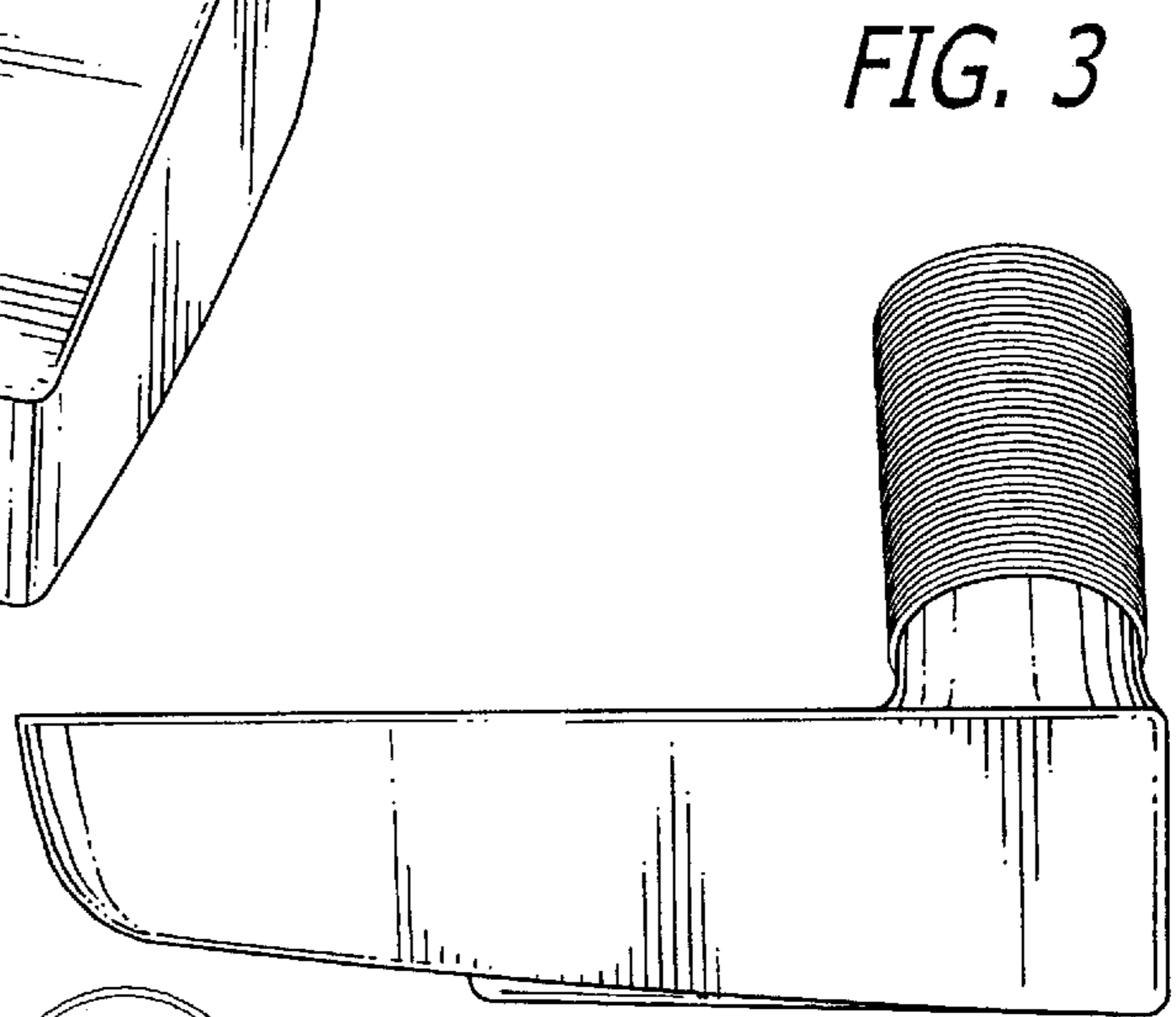
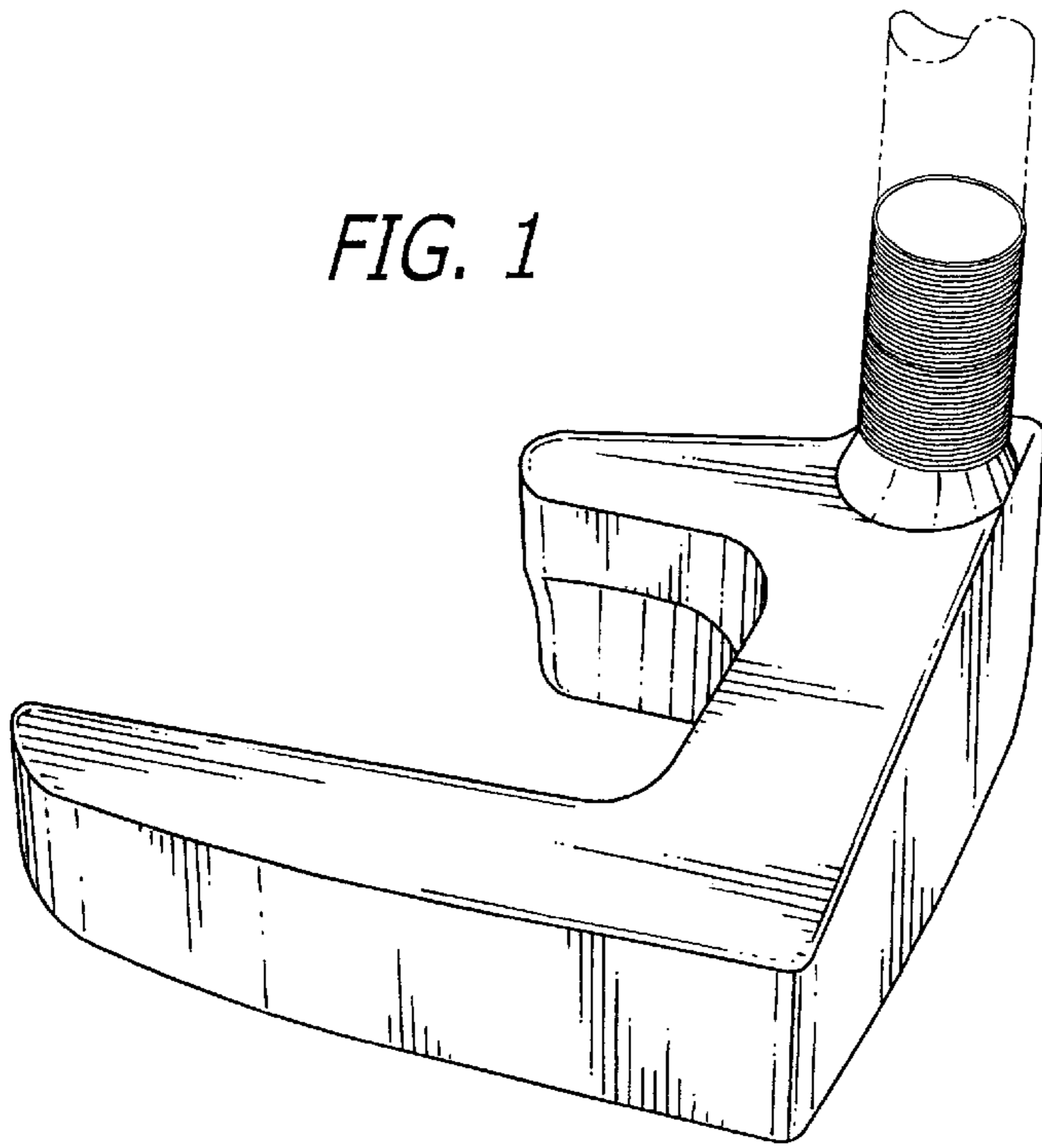


FIG. 4

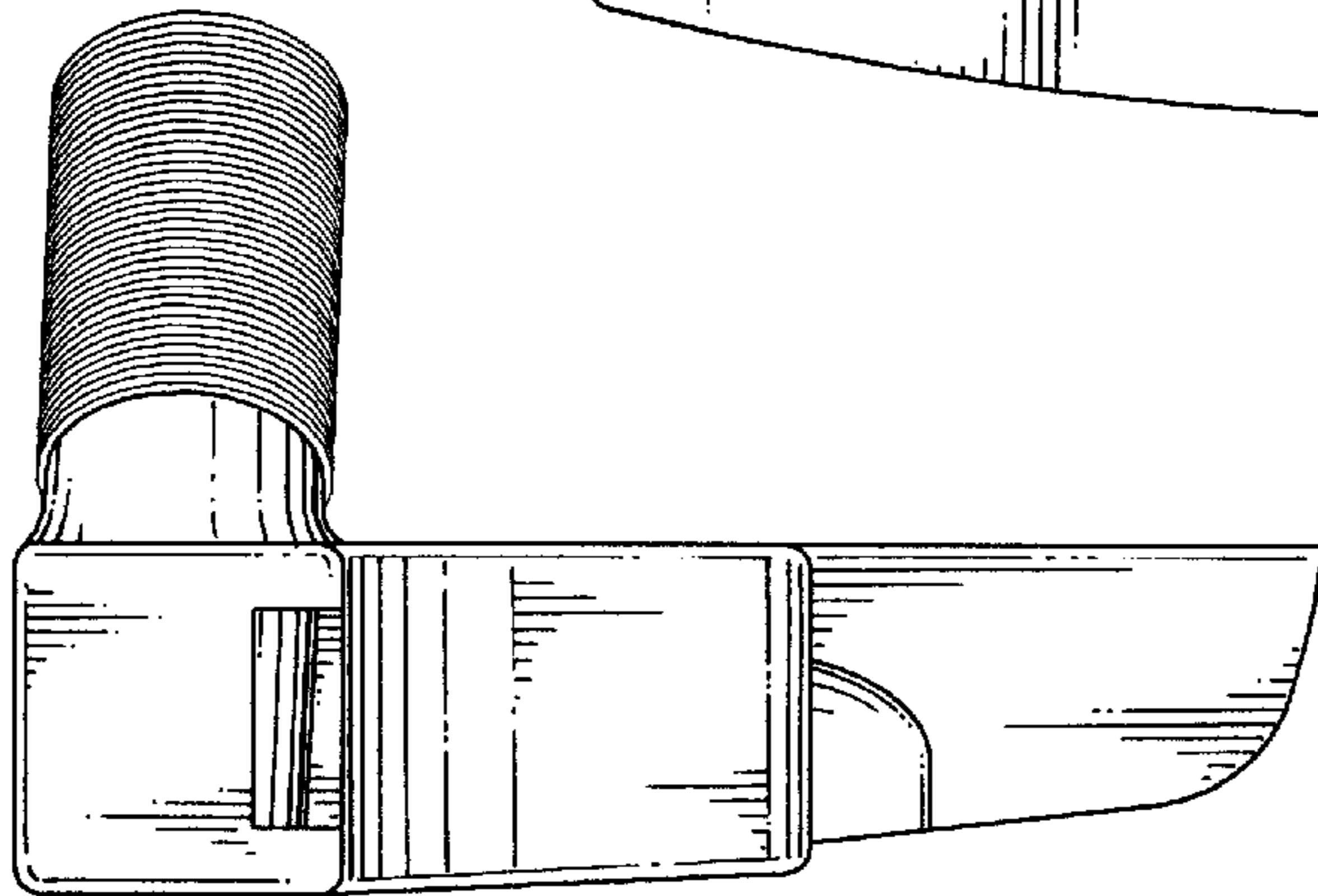
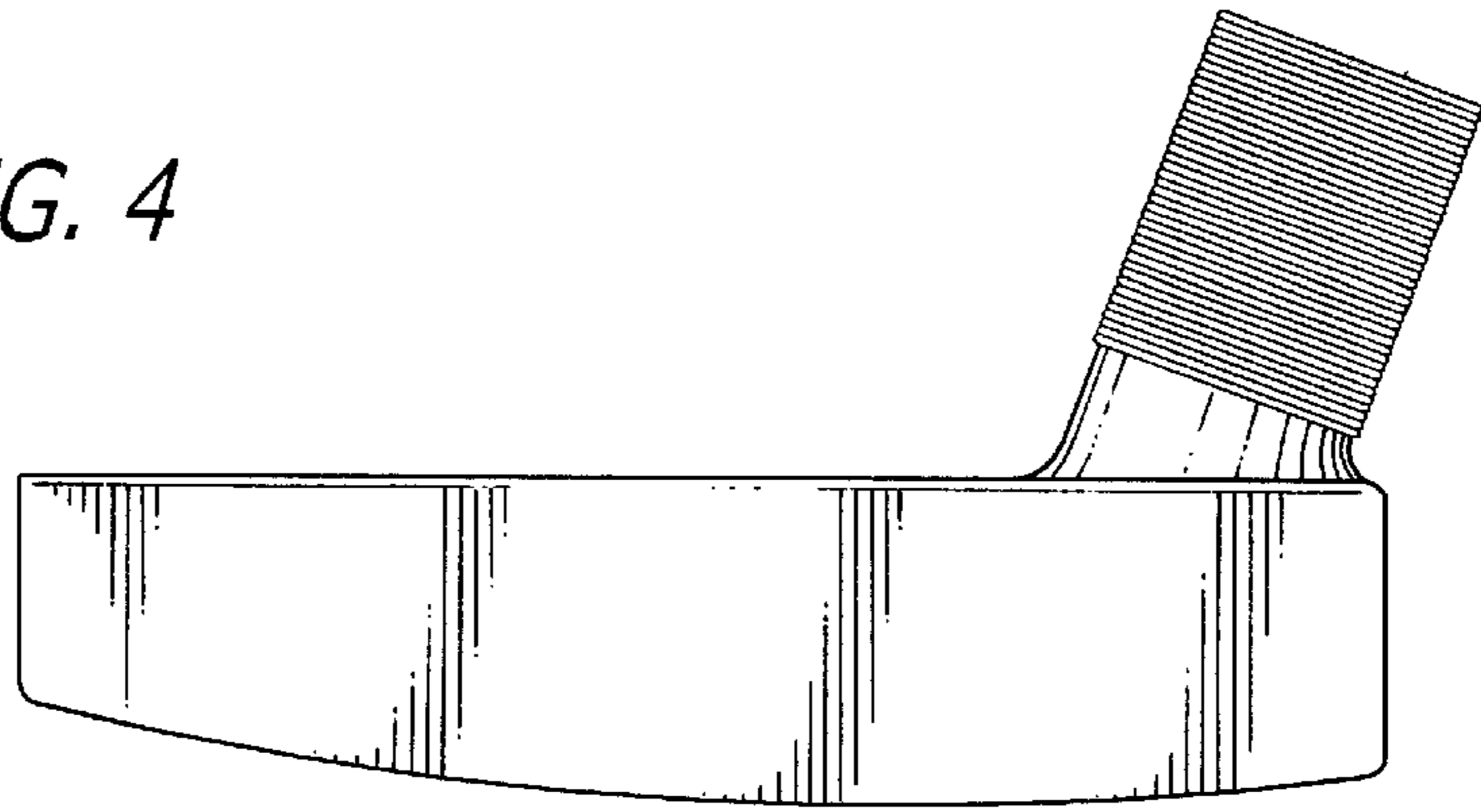


FIG. 5

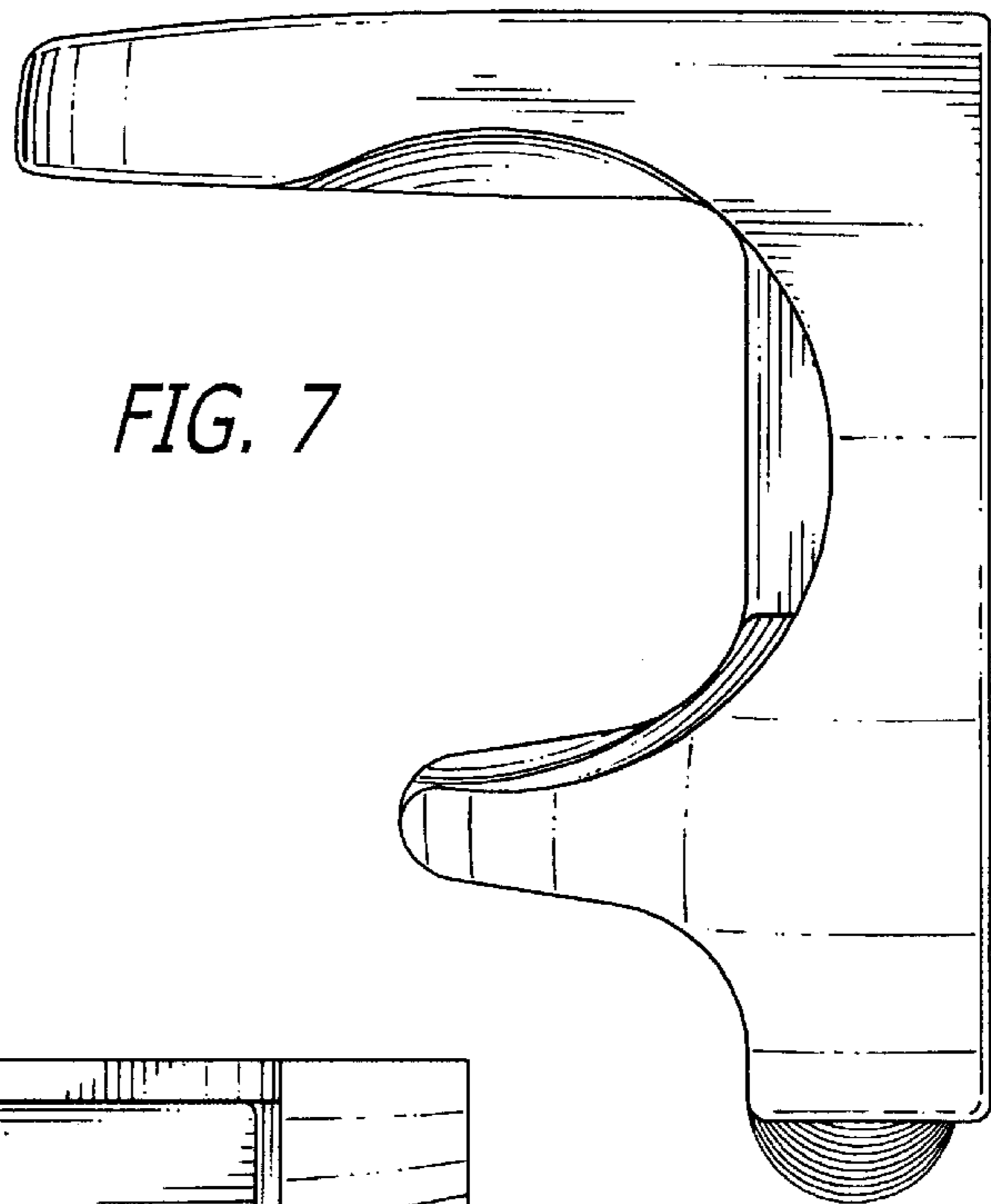


FIG. 7

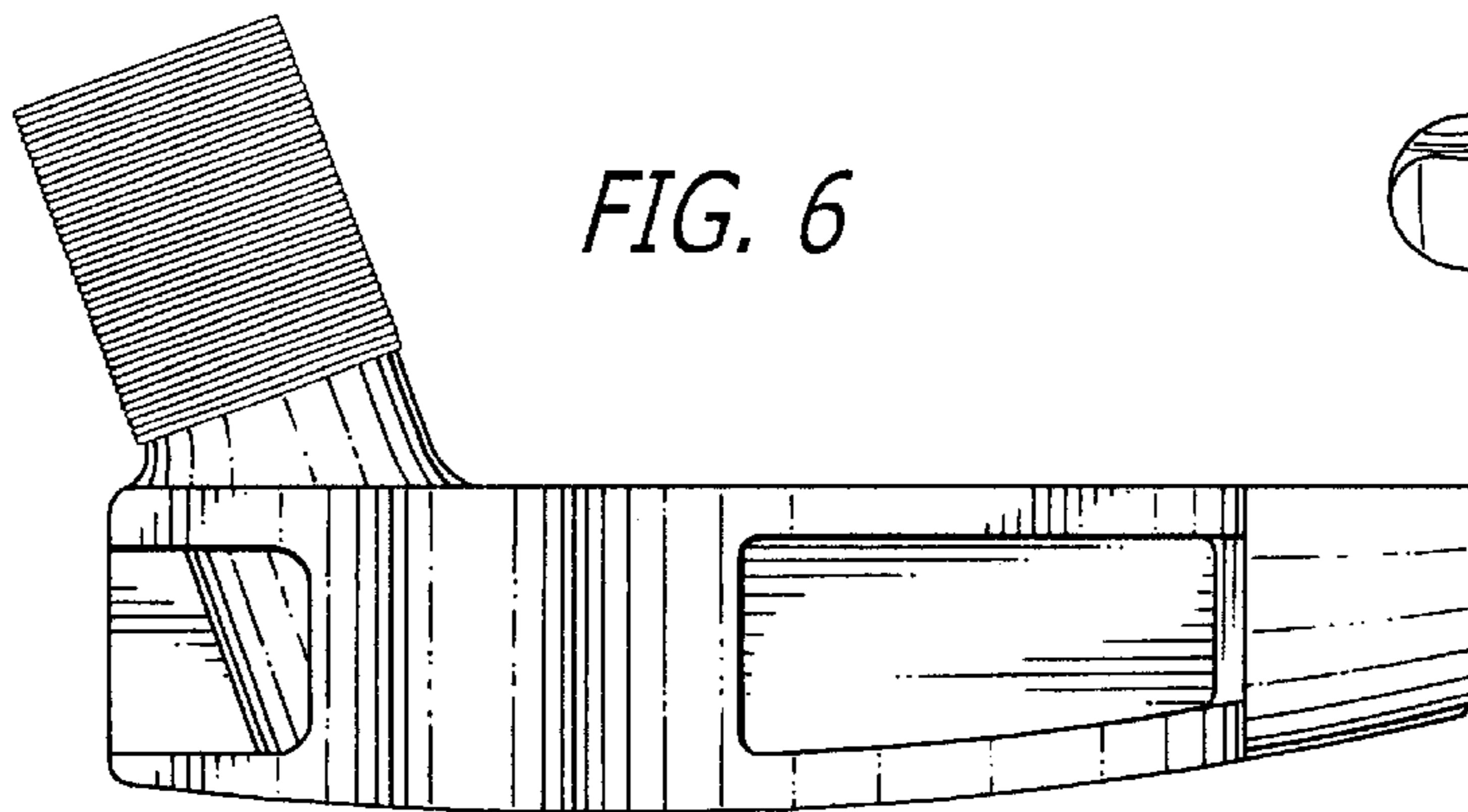


FIG. 6