



US00D457202S

(12) **United States Design Patent**
Baskin et al.

(10) **Patent No.:** **US D457,202 S**

(45) **Date of Patent:** **** May 14, 2002**

(54) **REMOTE CONTROL SNOWMOBILE**

(75) Inventors: **Brian Baskin**, North Chili; **Piero Gatti**; **Gino Gatti**, both of Rochester, all of NY (US)

(73) Assignee: **Nitro Elements, Inc.**, North Chili, NY (US)

(**) Term: **14 Years**

(21) Appl. No.: **29/146,807**

(22) Filed: **Aug. 16, 2001**

(51) **LOC (7) Cl.** **21-01**

(52) **U.S. Cl.** **D21/533**

(58) **Field of Search** D21/533, 539, D21/566, 424; D12/6, 7; 280/21.1, 22, 22.1; 446/7, 454, 433; 180/190, 193, 219, 68.4

(56) **References Cited**

U.S. PATENT DOCUMENTS

5,038,882 A * 8/1991 Zulawski 180/190
D325,606 S 4/1992 Demarco et al.

5,881,833 A * 3/1999 Branch 180/219
6,109,217 A * 8/2000 Hedlund 180/68.4
D438,821 S * 3/2001 Cadotte D12/7
D443,005 S * 5/2001 Cass D21/533
D446,166 S * 8/2001 Cadotte D12/7

* cited by examiner

Primary Examiner—Raphael Barkai

(74) *Attorney, Agent, or Firm*—Greenwald & Basch LLP; Duane C. Basch

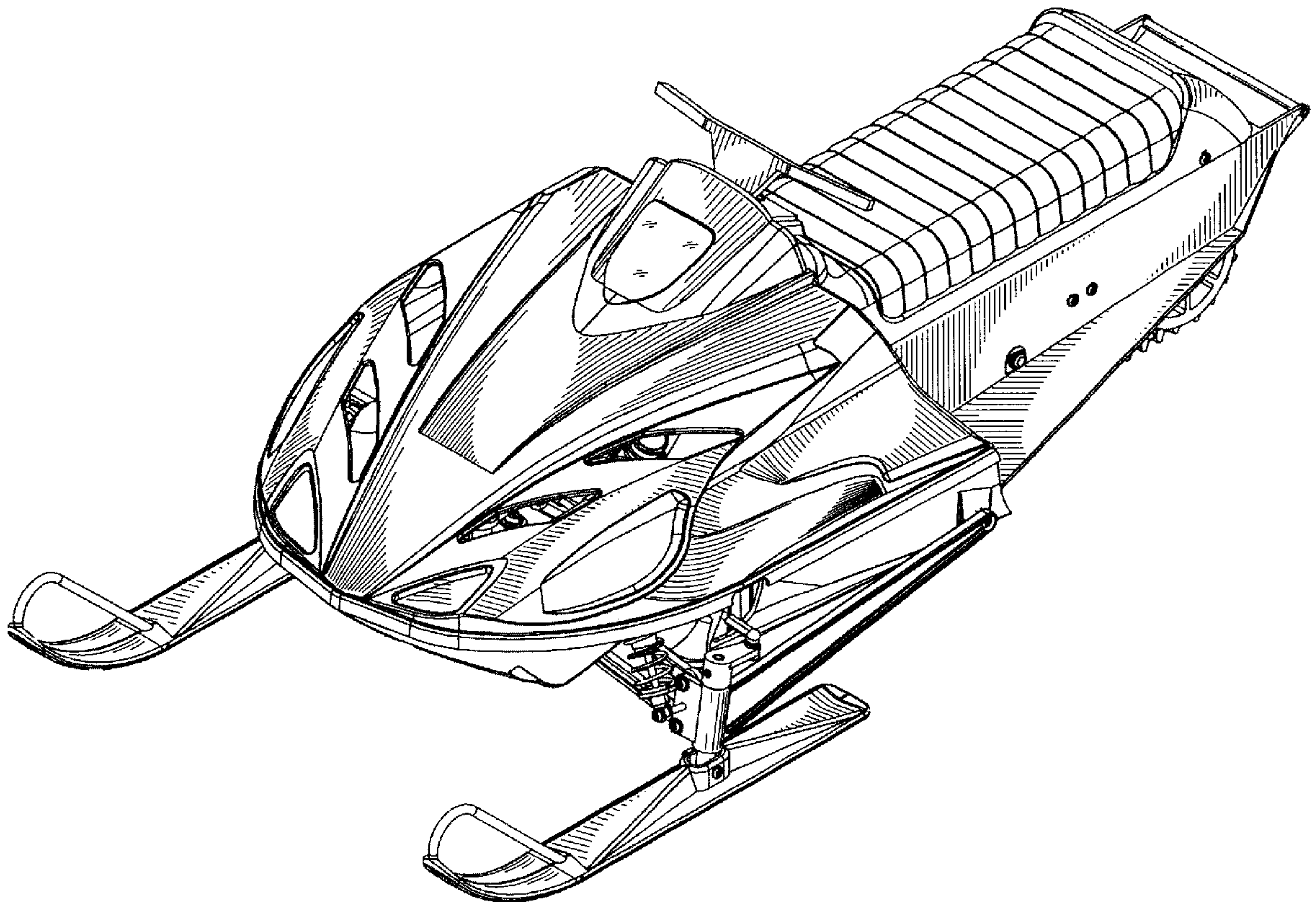
(57) **CLAIM**

The ornamental design for a remote control snowmobile, as shown and described.

DESCRIPTION

FIG. 1 is a perspective view of a remote control snowmobile, showing our new design;
FIG. 2 is a right-side elevation view thereof;
FIG. 3 is a front elevation view thereof;
FIG. 4 is a left-side elevation view thereof;
FIG. 5 is a rear elevation view thereof;
FIG. 6 is a top plan view thereof; and,
FIG. 7 is a bottom plan view thereof.

1 Claim, 7 Drawing Sheets



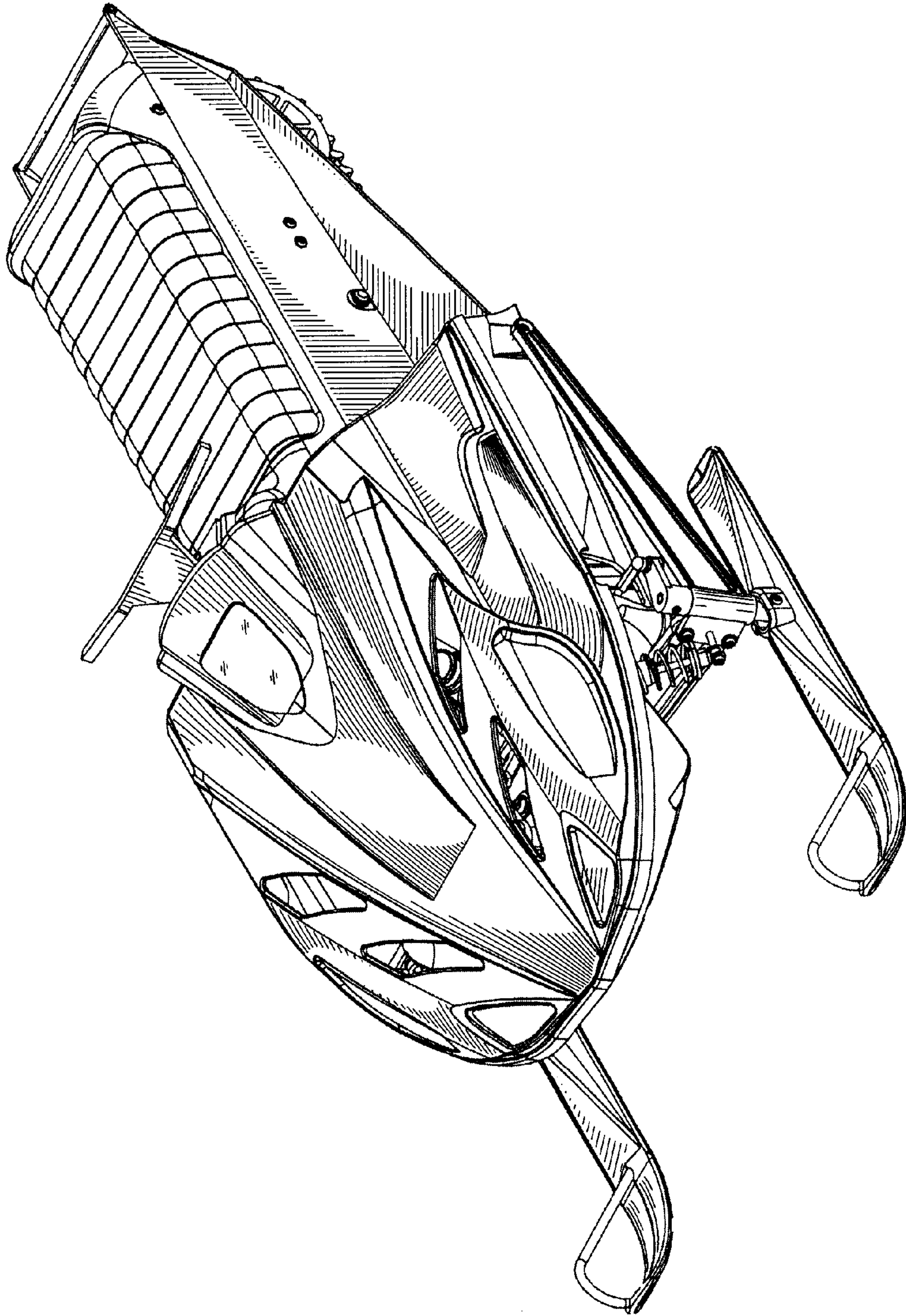


FIG. 1

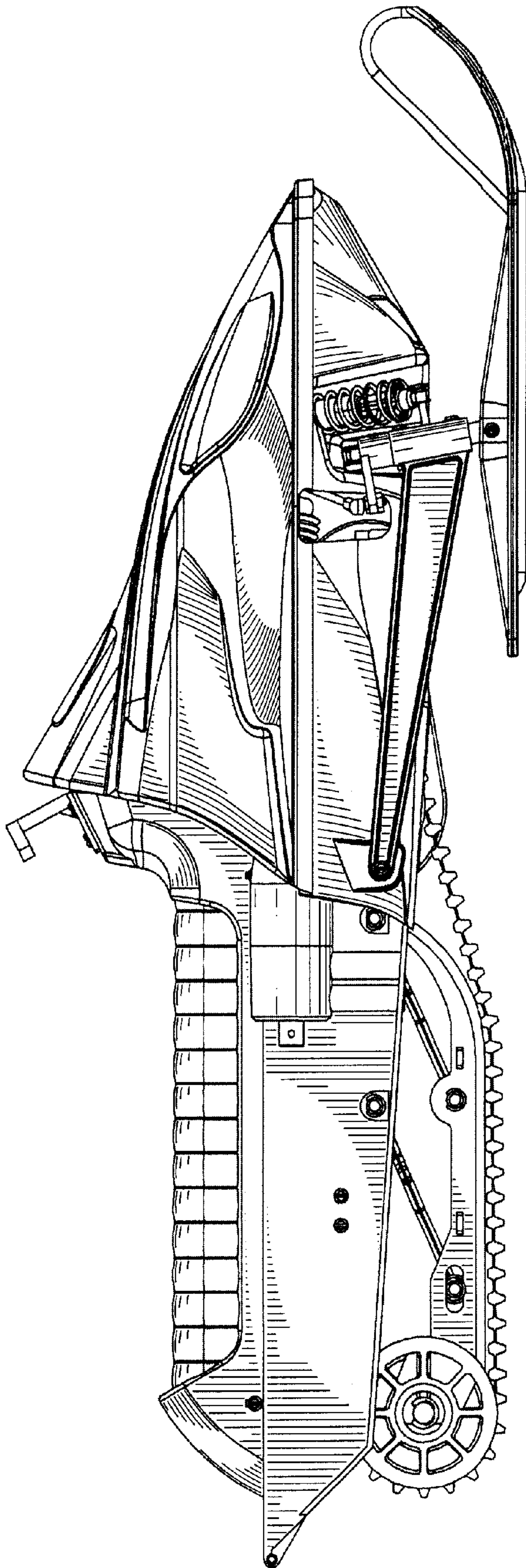


FIG. 2

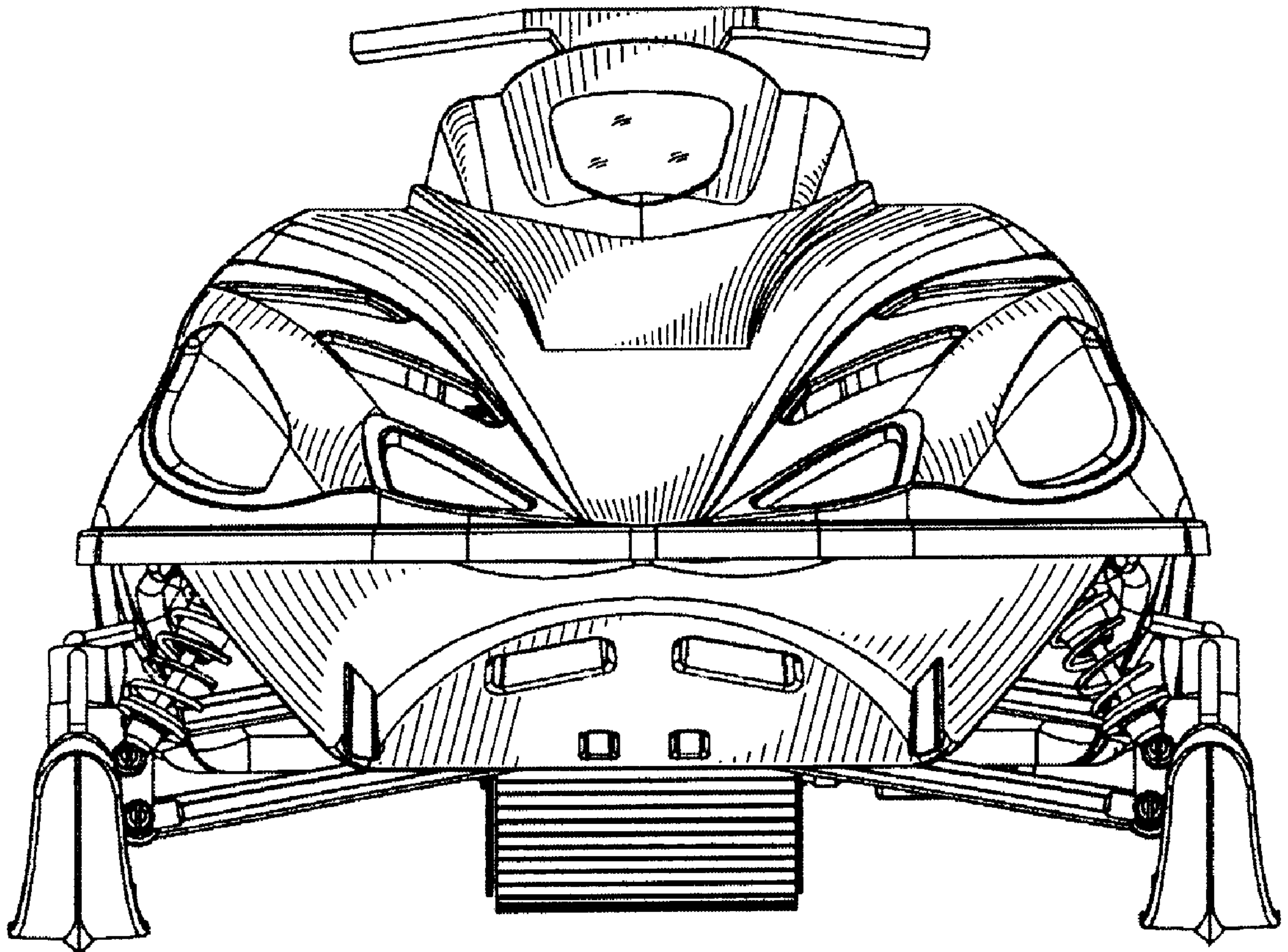


FIG. 3

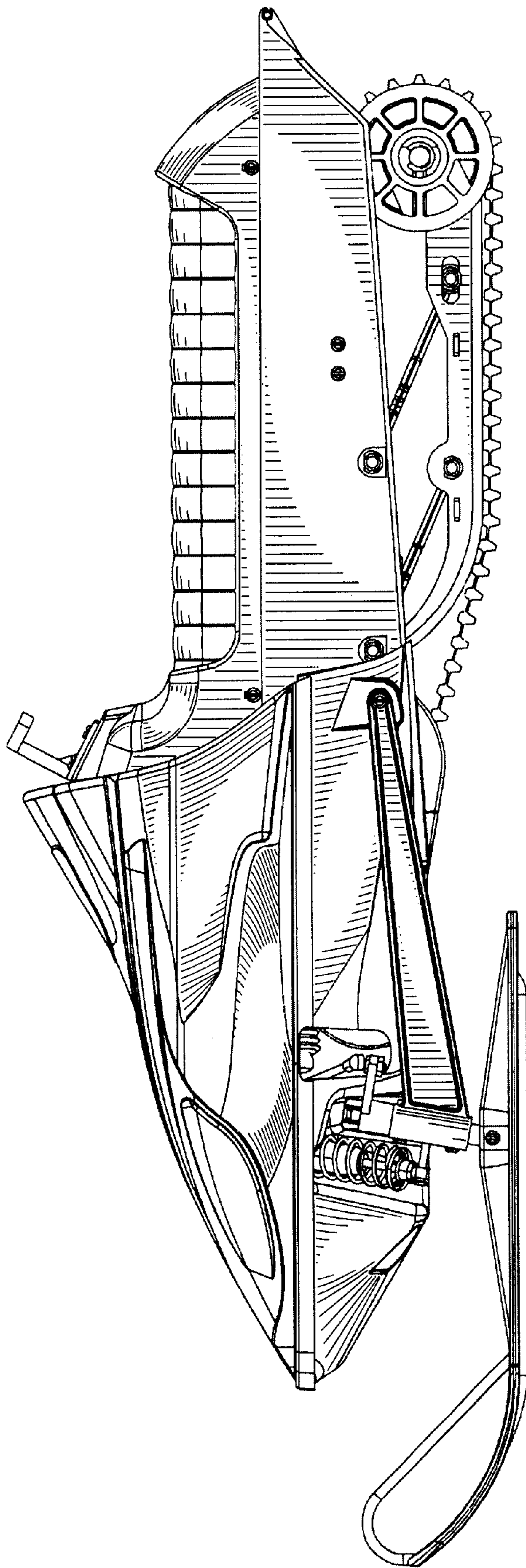


FIG. 4

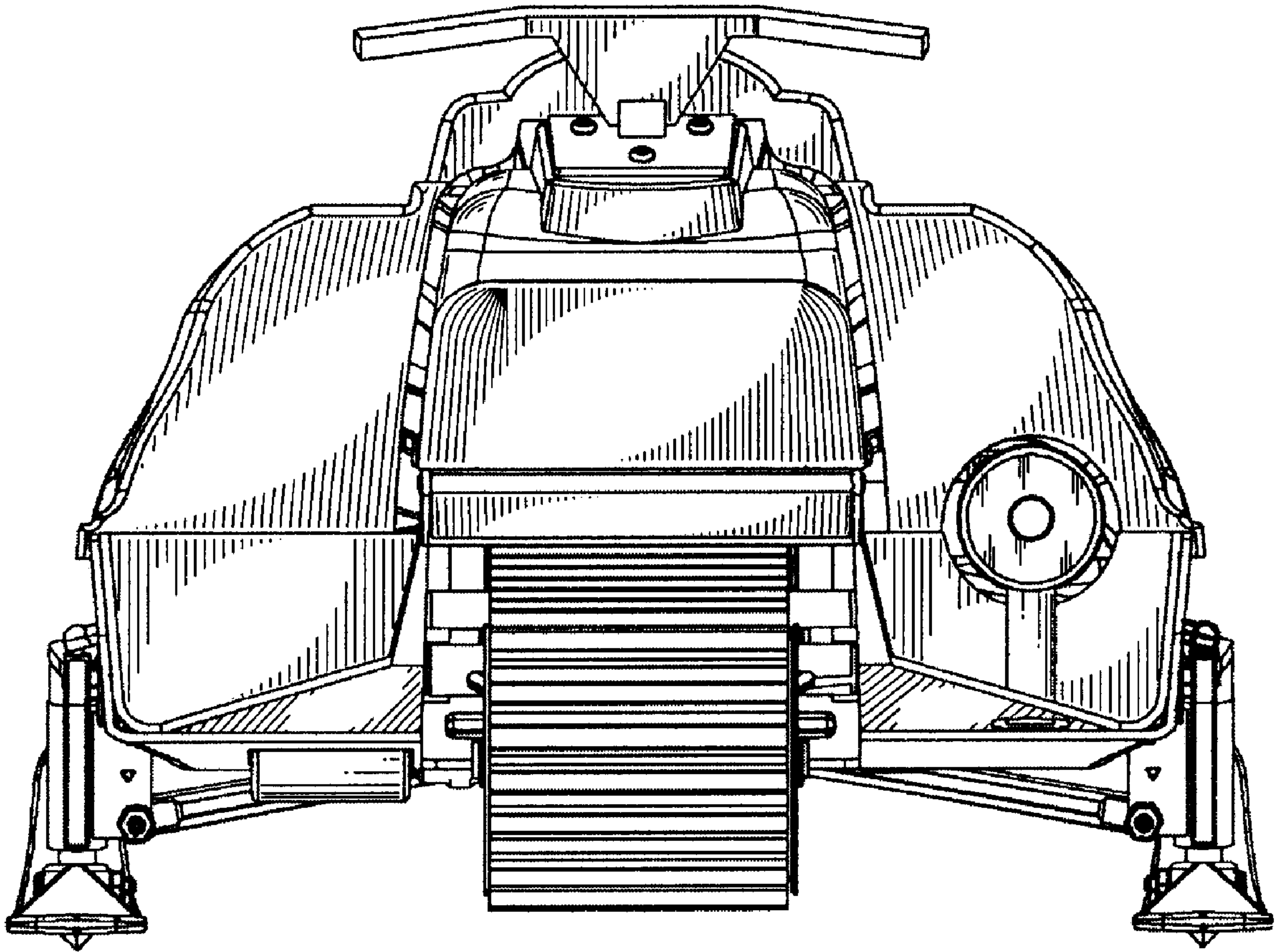


FIG. 5

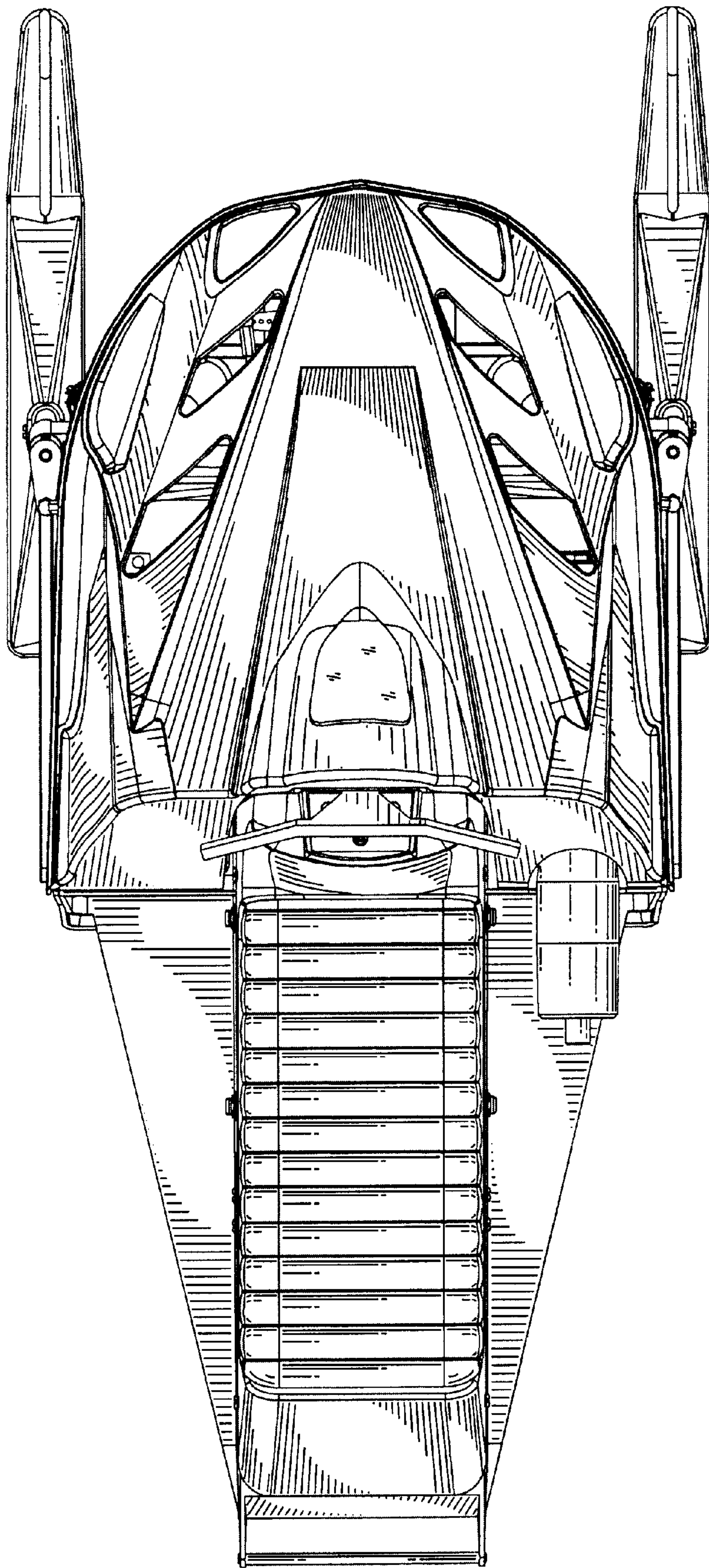


FIG. 6

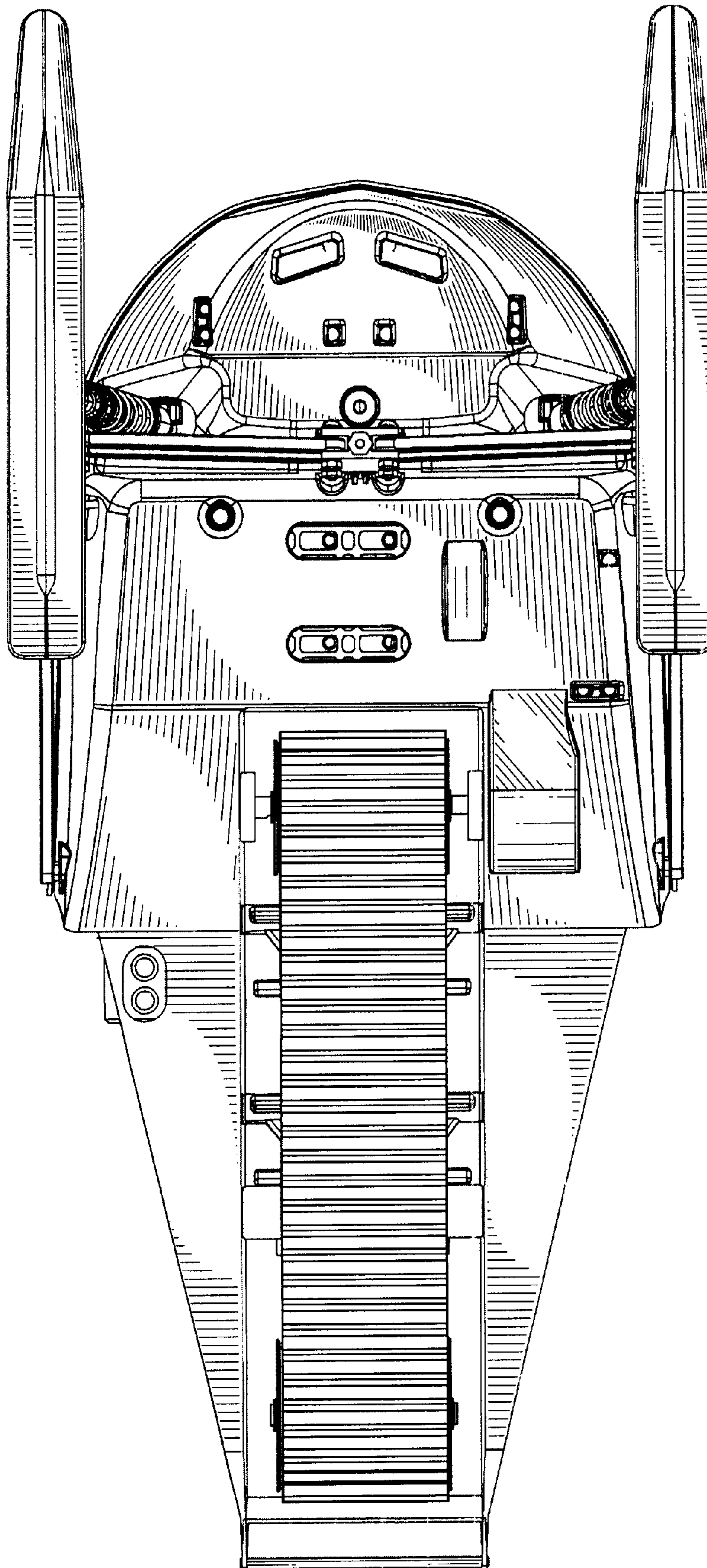


FIG. 7