



US00D457198S

(12) **United States Design Patent**  
**Yamazaki**

(10) **Patent No.:** **US D457,198 S**

(45) **Date of Patent:** **\*\* May 14, 2002**

- (54) **BALL DROP AND GUIDE TOY**
- (75) Inventor: **Tomohiro Yamazaki**, Katsushika-ku (JP)
- (73) Assignee: **Tomy Company, Ltd.**, Tokyo (JP)
- (\*\*) Term: **14 Years**
- (21) Appl. No.: **29/142,010**
- (22) Filed: **May 18, 2001**
- (30) **Foreign Application Priority Data**  
Nov. 20, 2000 (JP) ..... 2000-033135
- (51) **LOC (7) Cl.** ..... **21-01**
- (52) **U.S. Cl.** ..... **D21/456**
- (58) **Field of Search** ..... D21/398, 456,  
D21/459, 564, 565; 446/168
- (56) **References Cited**

**U.S. PATENT DOCUMENTS**

- 408,635 A \* 8/1889 Sommer ..... 446/168
- 878,810 A \* 2/1908 Letzkus ..... 446/168

- 2,729,914 A \* 1/1956 Cook ..... 446/168
- 4,713,038 A \* 12/1987 Wichman ..... 446/168
- 4,932,917 A \* 6/1990 Klitsner ..... 446/168
- 5,312,285 A \* 5/1994 Rieber ..... 46/168

\* cited by examiner

*Primary Examiner*—Dominic Simone

(74) *Attorney, Agent, or Firm*—Oliff & Berridge, PLC

(57) **CLAIM**

The ornamental design for ball drop and guide toy, as shown and described.

**DESCRIPTION**

FIG. 1 is a front perspective view of a ball drop and guide toy;  
 FIG. 2 is a front view thereof;  
 FIG. 3 is a rear view thereof;  
 FIG. 4 is a top view thereof;  
 FIG. 5 is a bottom view thereof;  
 FIG. 6 is a left-side view thereof; and,  
 FIG. 7 is a right-side view thereof.

**1 Claim, 3 Drawing Sheets**

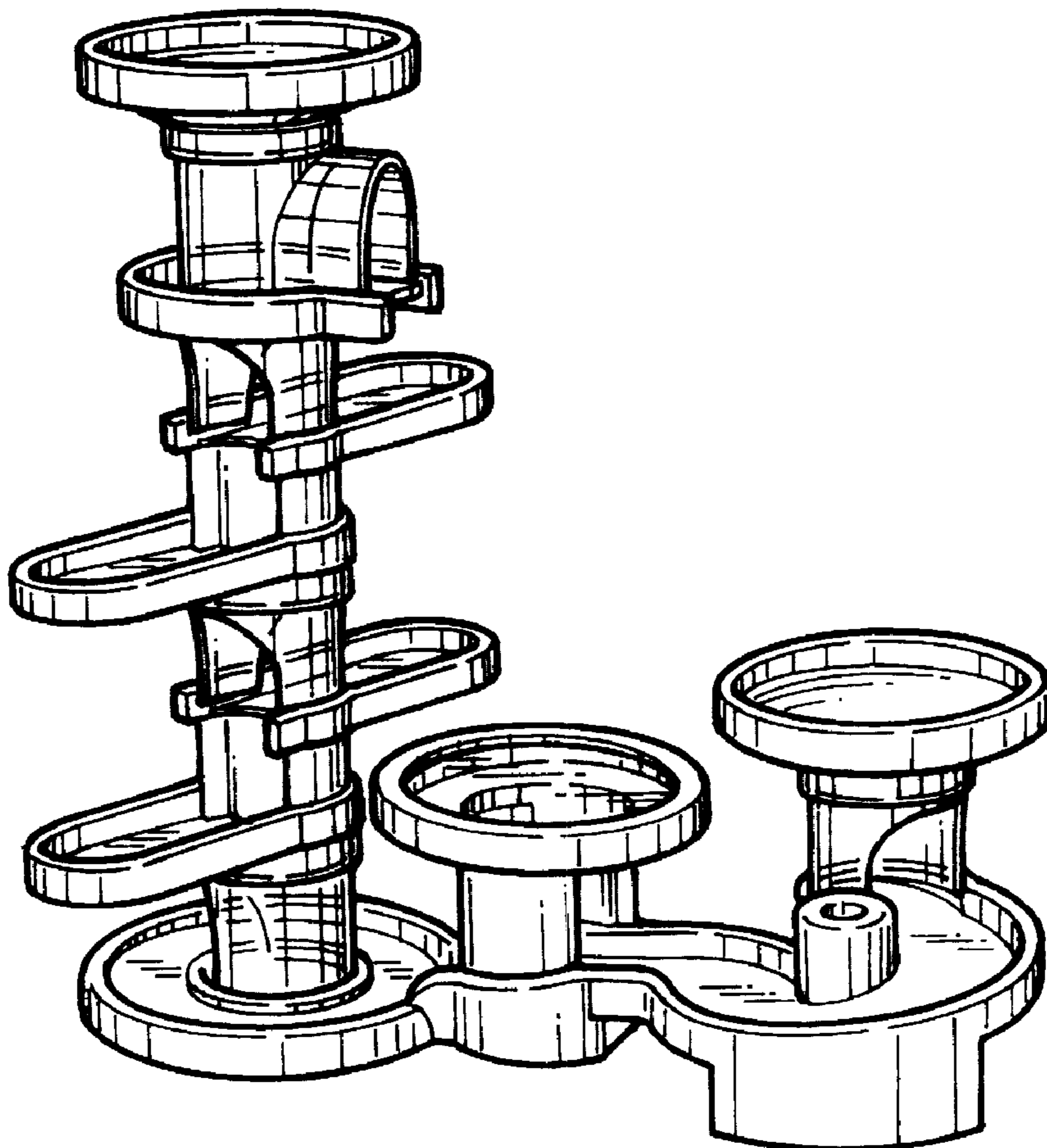


FIG. 1

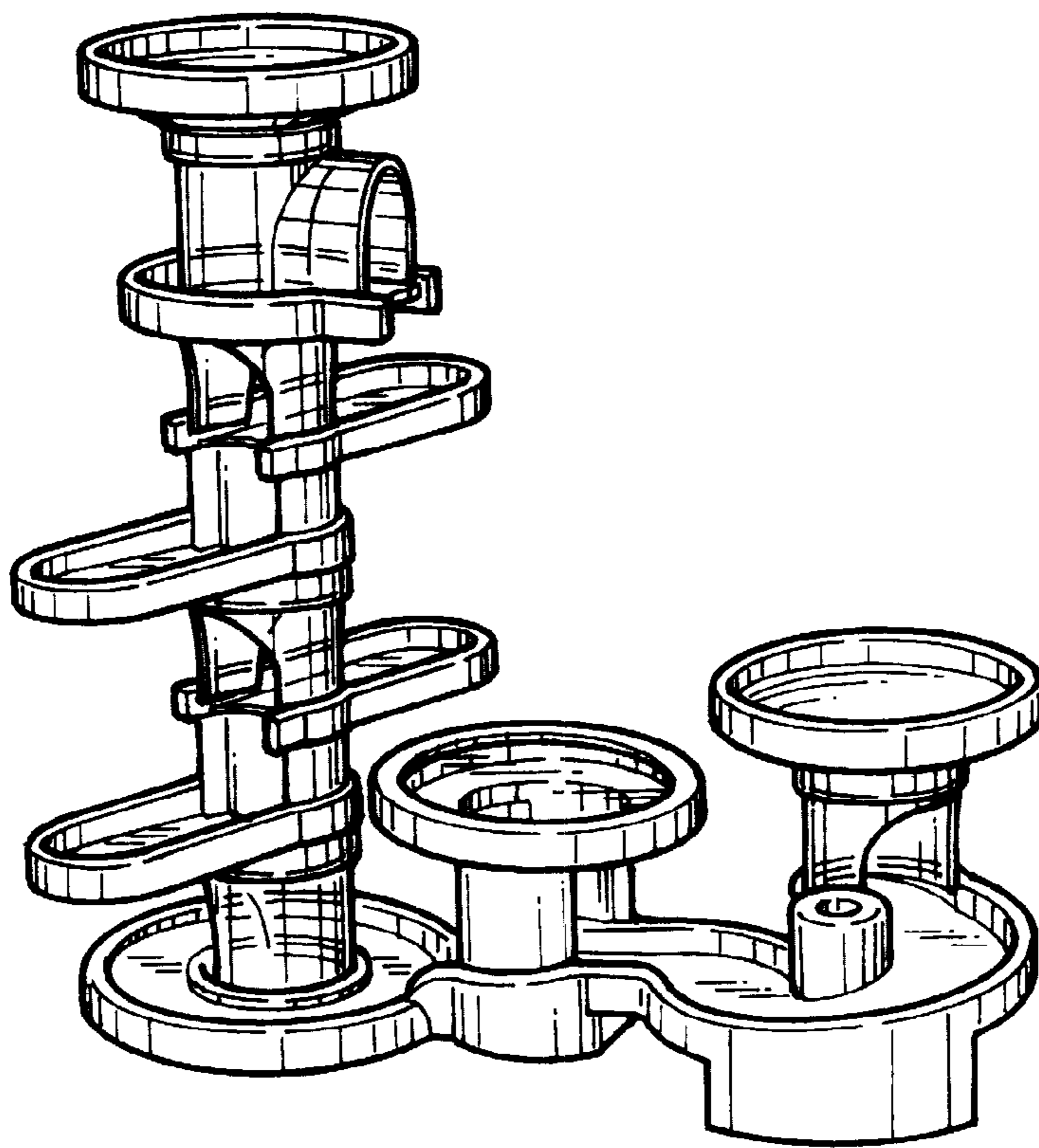


FIG. 2

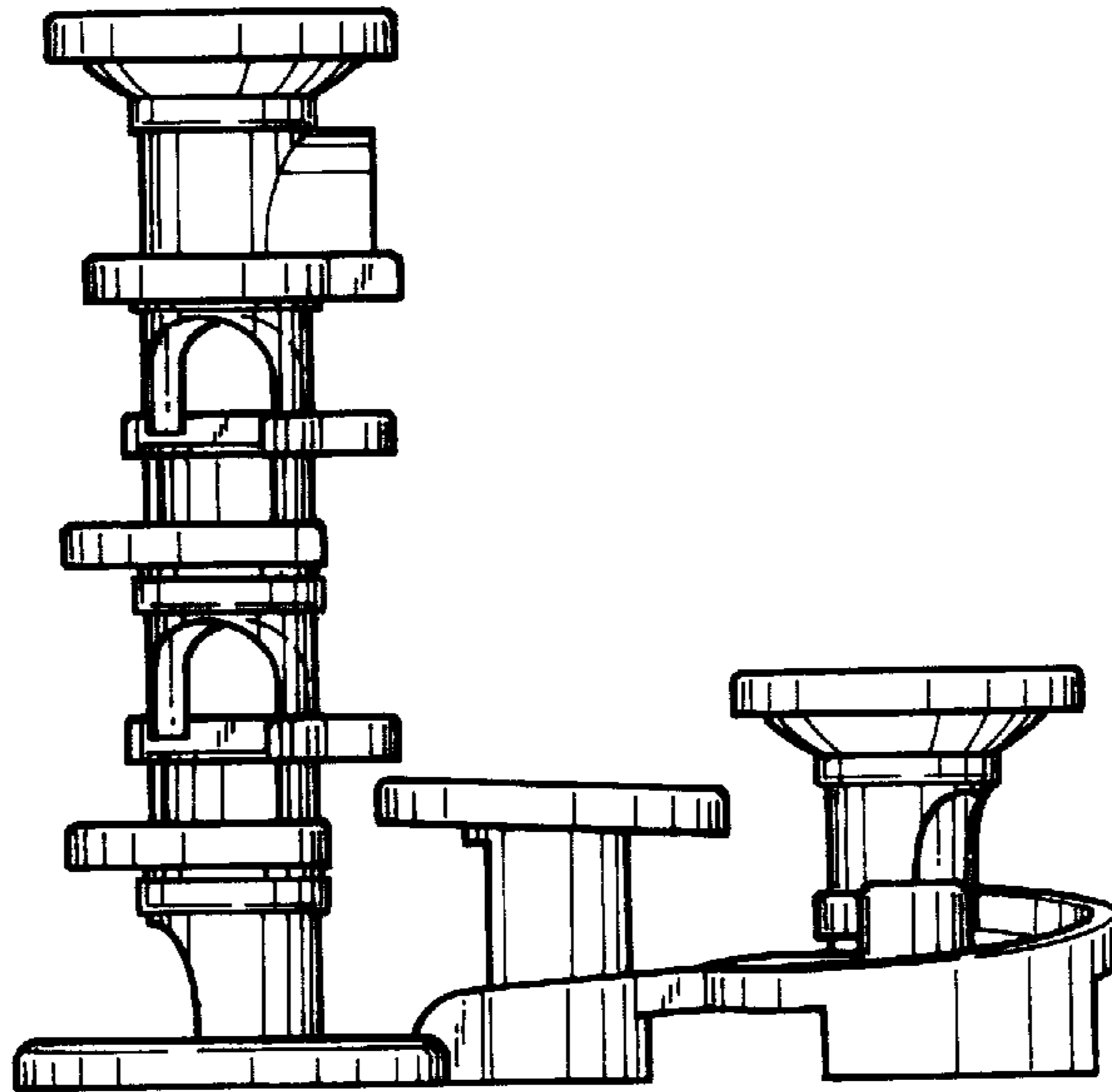


FIG. 3

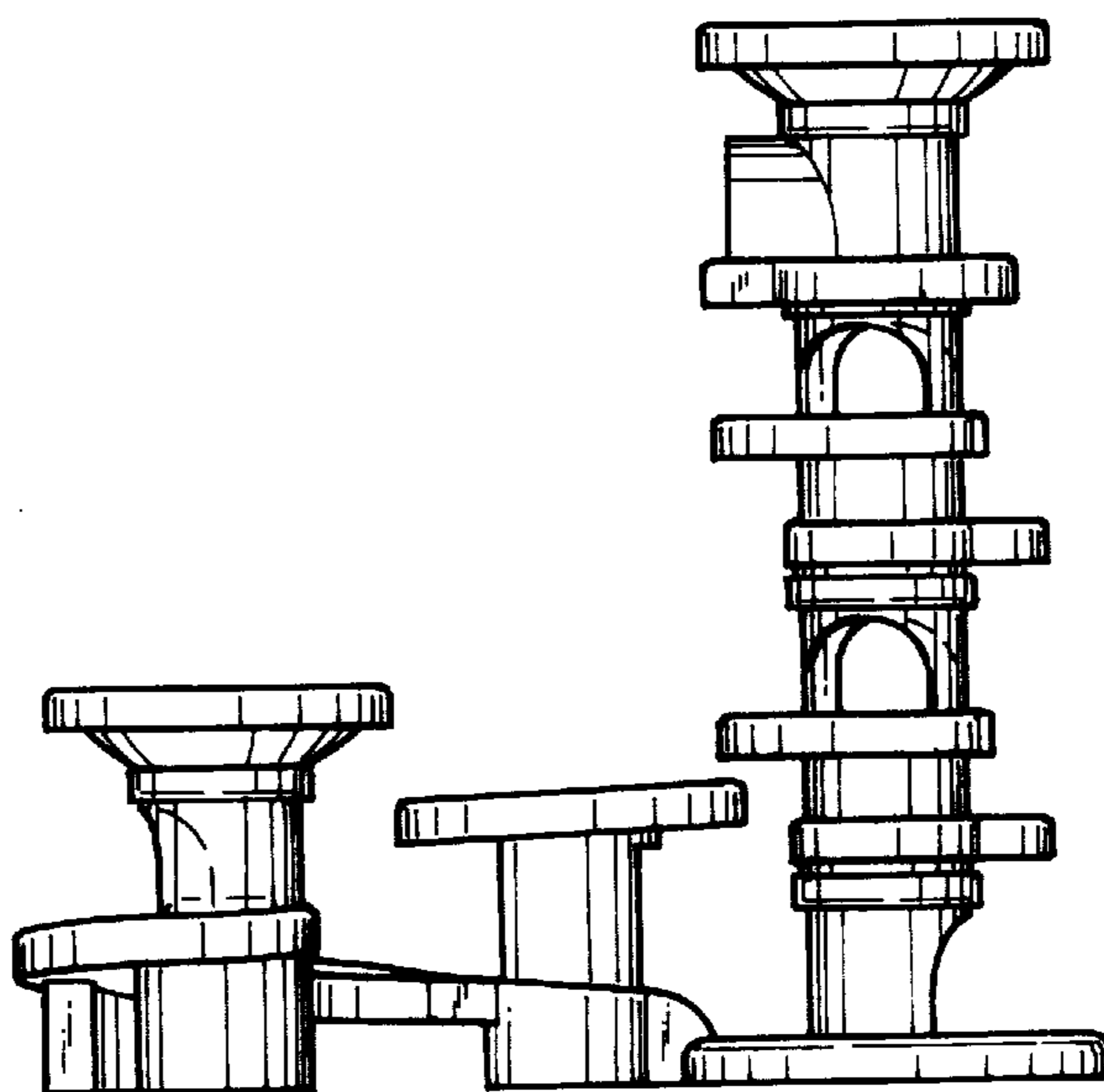


FIG. 4

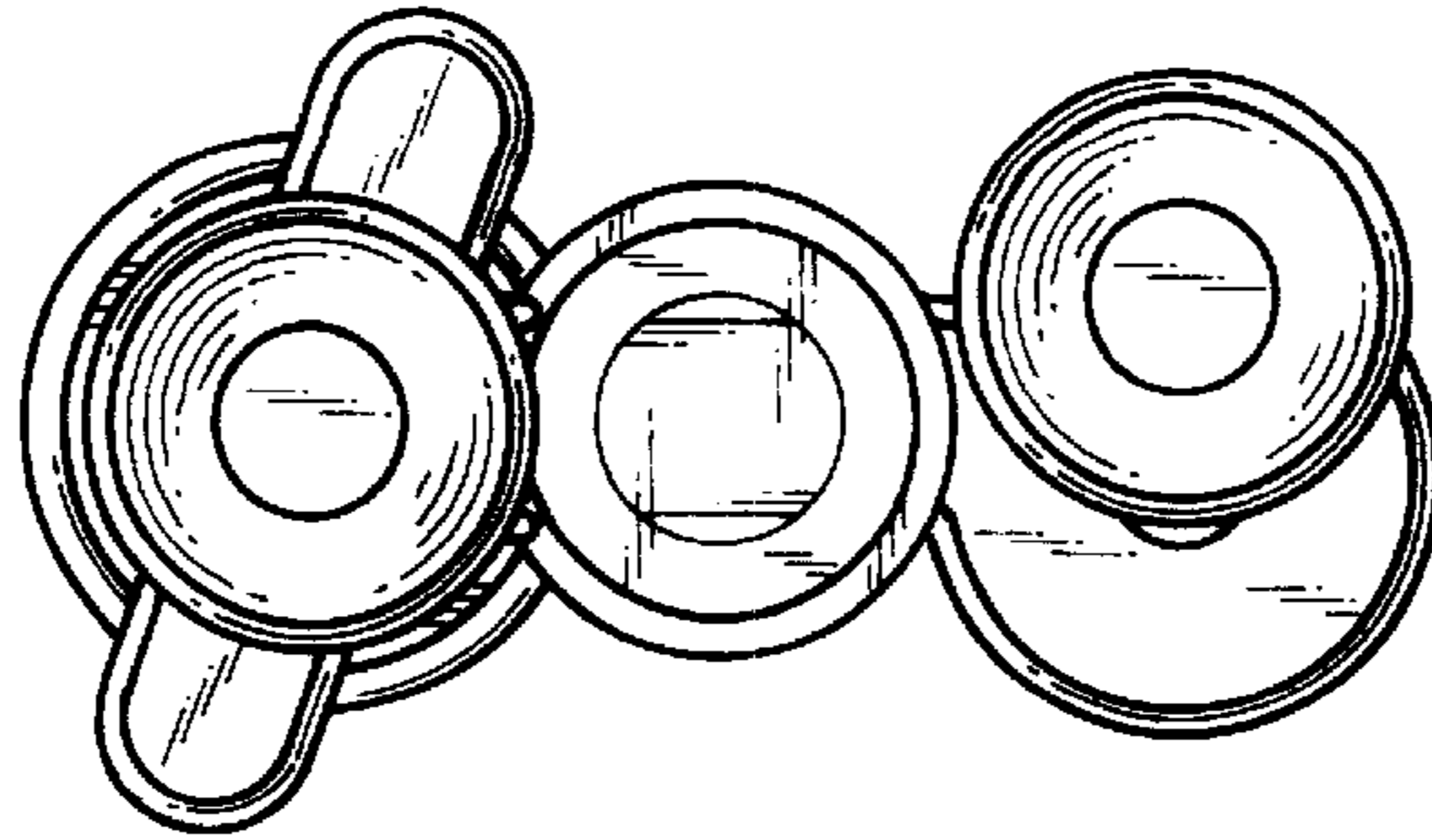


FIG. 5

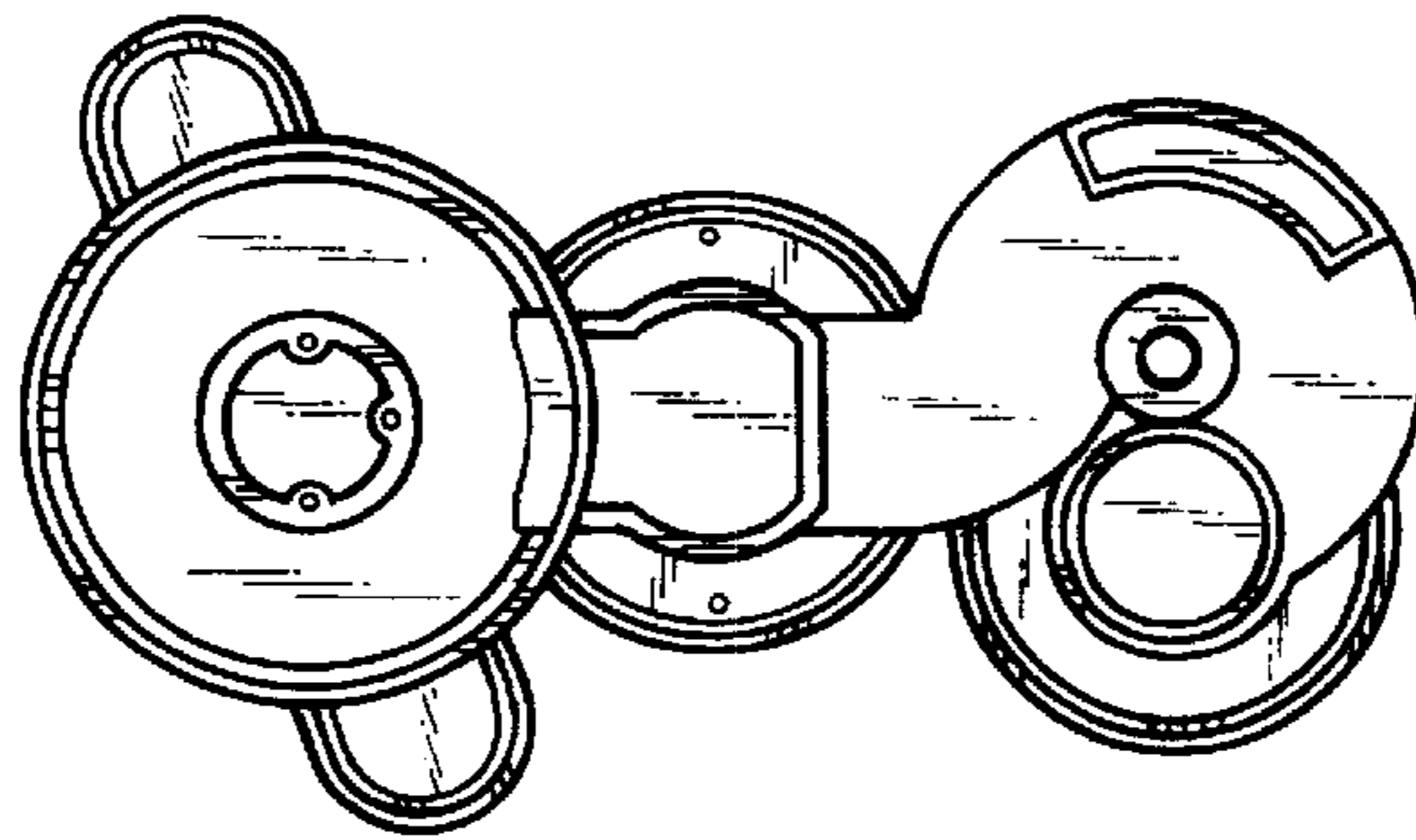


FIG. 6

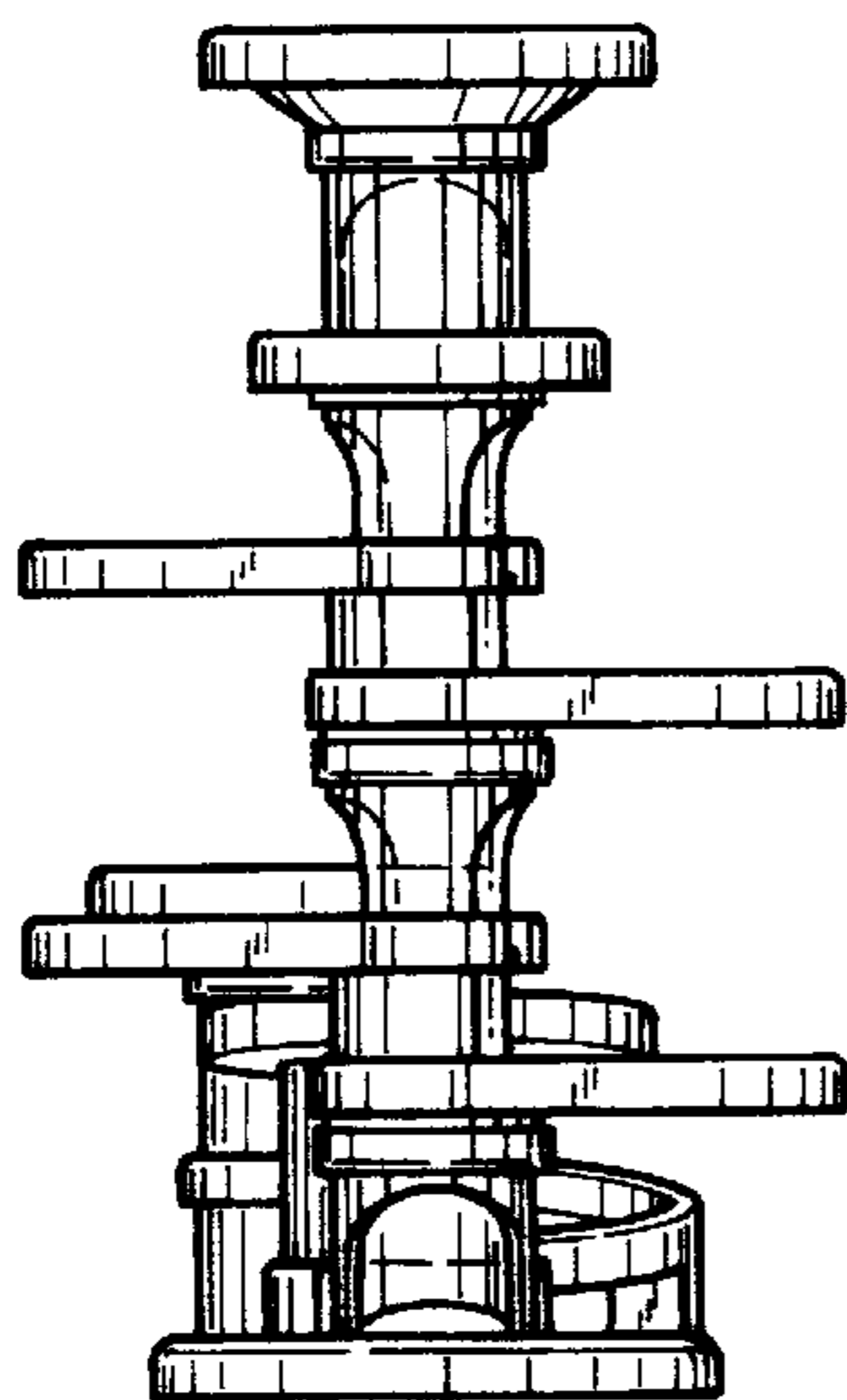


FIG. 7

