



US00D457189S

(12) **United States Design Patent**
Chan

(10) **Patent No.:** **US D457,189 S**

(45) **Date of Patent:** **** May 14, 2002**

(54) **ADHESIVE TAPE DISPENSER**

(75) **Inventor:** **Sik-Leung Chan, Tsuen Wan (CN)**

(73) **Assignee:** **C. C. & L Company Limited, Tsuen Wan (CN)**

(**) **Term:** **14 Years**

(21) **Appl. No.:** **29/147,438**

(22) **Filed:** **Aug. 28, 2001**

(30) **Foreign Application Priority Data**

Mar. 3, 2001 (HK) 0110305

(51) **LOC (7) Cl.** **19-02**

(52) **U.S. Cl.** **D19/69; D19/67**

(58) **Field of Search** D19/65, 66, 67, D19/68, 69, 89, 72, 99, 100; 225/6, 7, 12, 19, 22, 25, 34, 35, 46, 45, 56, 57, 74, 77, 89, 11; 242/588, 588.1, 588.6, 590; 156/327, 523, 527, 577; 206/398

(56) **References Cited**

U.S. PATENT DOCUMENTS

3,187,968 A * 6/1965 Favre 225/56

D202,949 S * 11/1965 Petterson D19/69
D238,360 S * 1/1976 Gibbs D19/69
D364,644 S * 11/1995 Watanabe et al. D19/69
D407,438 S * 3/1999 Kelders et al. D19/69
D422,312 S * 4/2000 Bronwasser D19/69
D432,575 S * 10/2000 Van Den Berg D19/69
D438,567 S * 3/2001 Van Den Berg D19/69

* cited by examiner

Primary Examiner—Martie K. Holtje

(74) *Attorney, Agent, or Firm*—Alix, Yale & Ristas, LLP

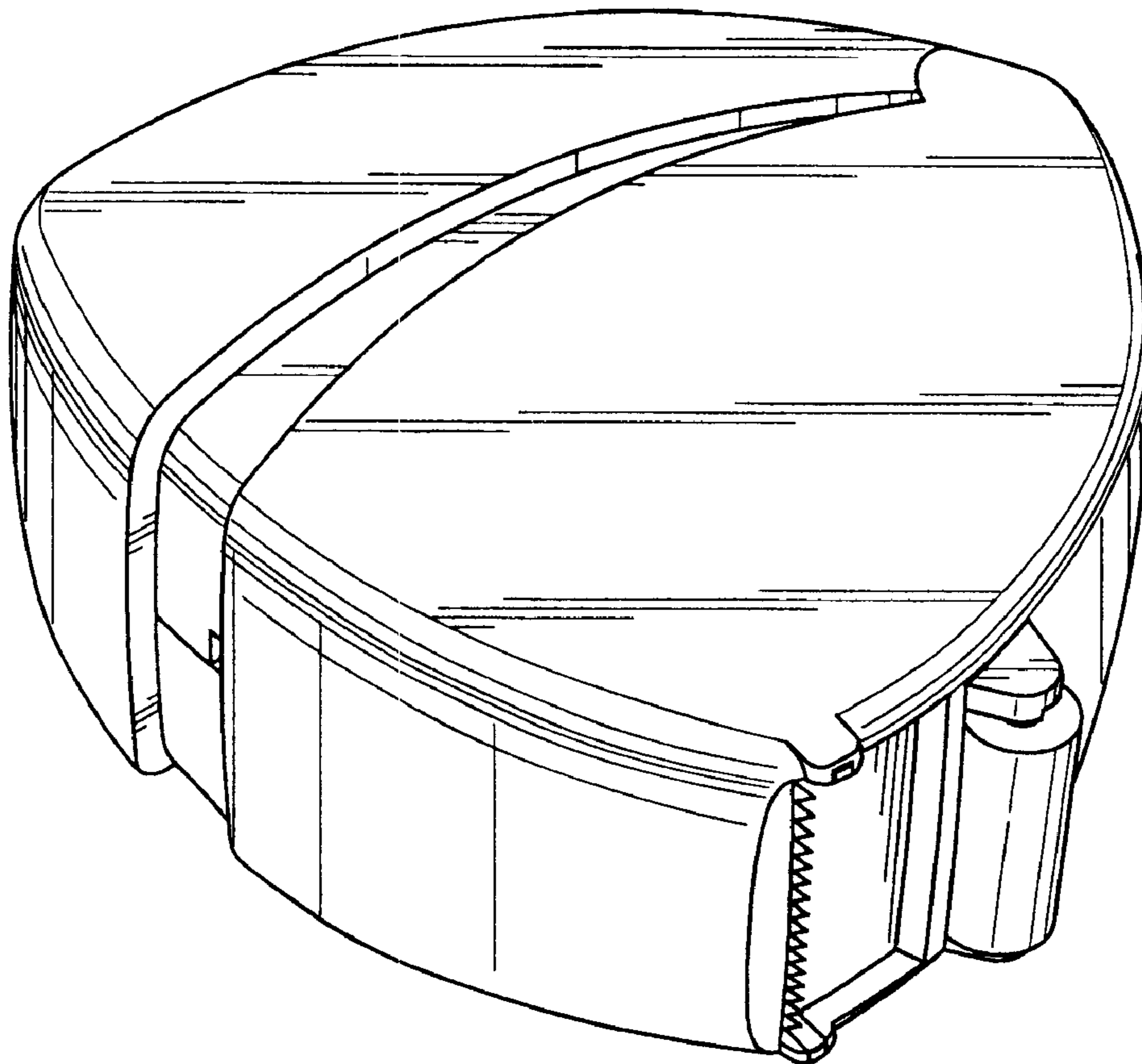
(57) **CLAIM**

The ornamental design for an adhesive tape dispenser, as shown and described.

DESCRIPTION

FIG. 1 is a perspective view of an adhesive tape dispenser showing my new design;
FIG. 2 is a front elevational view thereof;
FIG. 3 is a left side elevational view thereof;
FIG. 4 is a top plan view thereof;
FIG. 5 is a rear elevational view thereof;
FIG. 6 is a right side elevational view thereof; and,
FIG. 7 is a bottom plan view thereof.

1 Claim, 3 Drawing Sheets



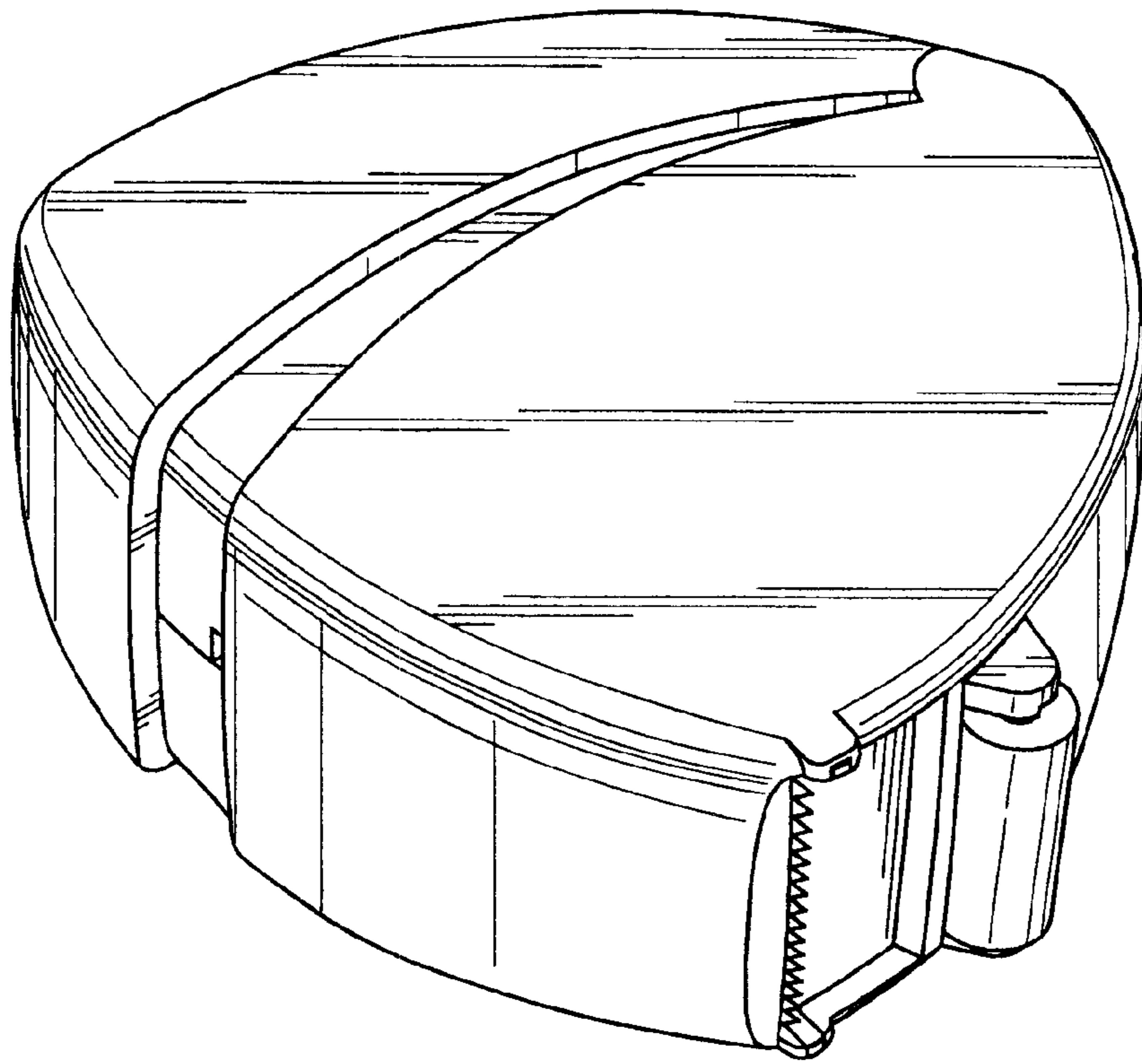


FIG. 1

FIG. 4

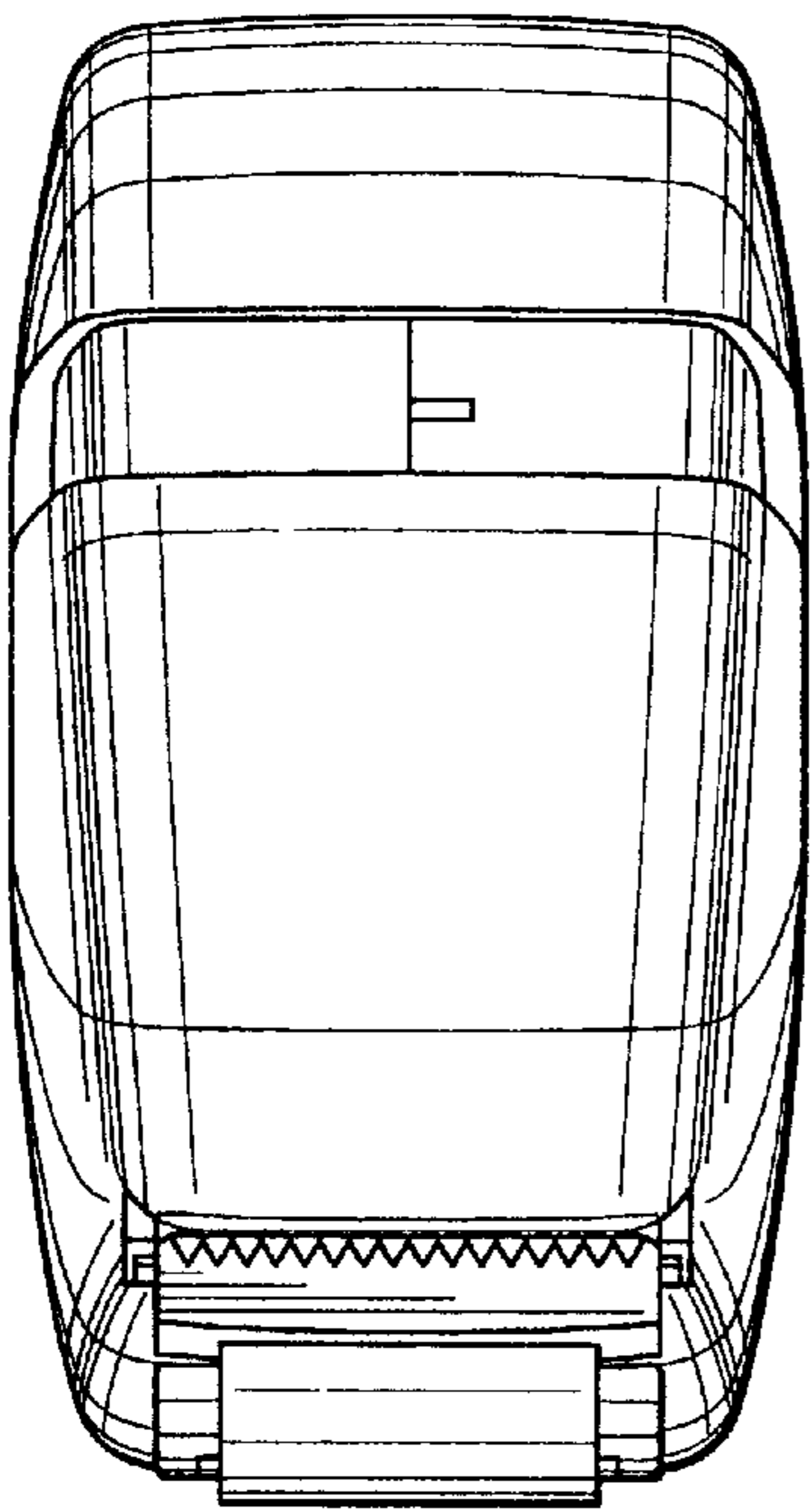
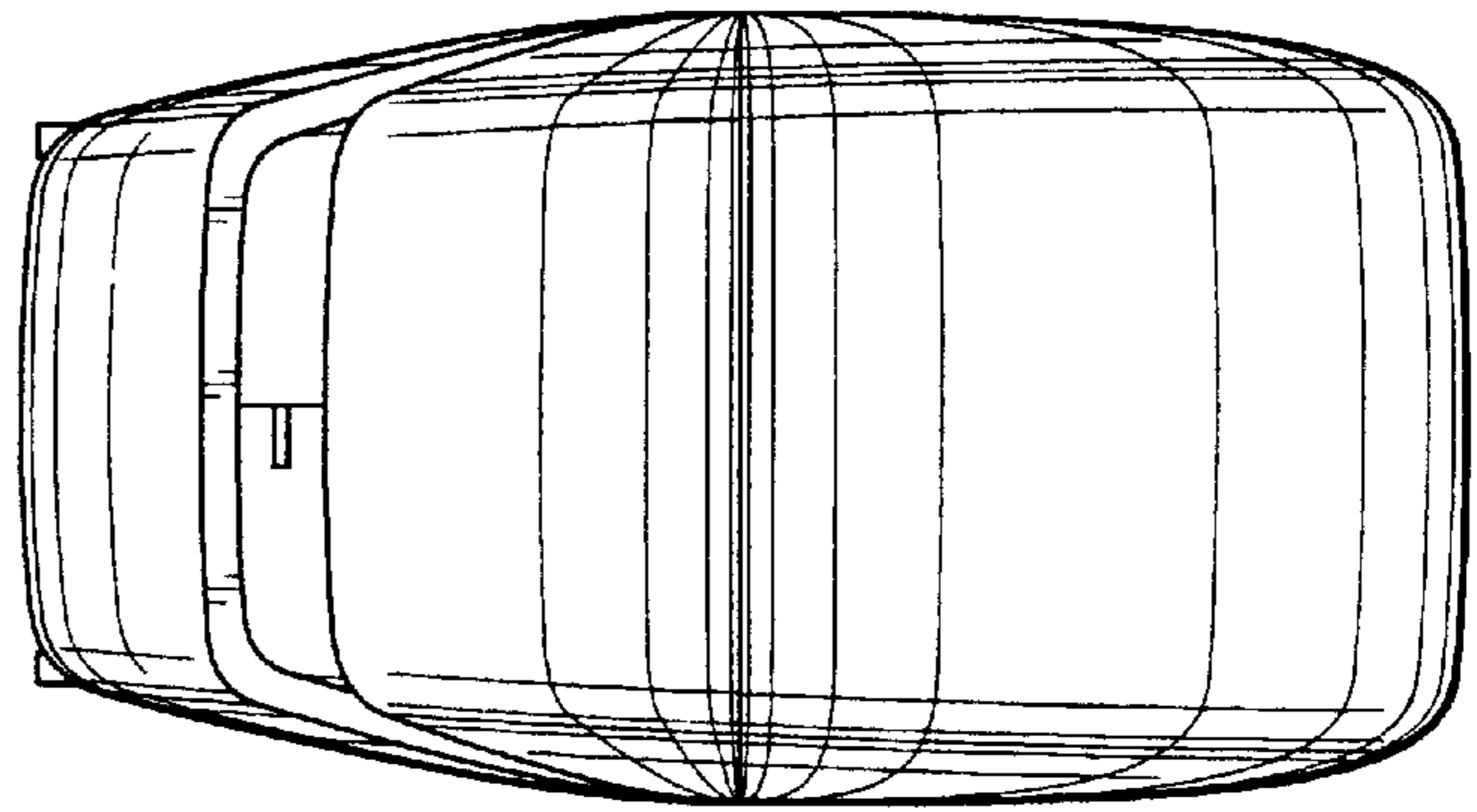


FIG. 3

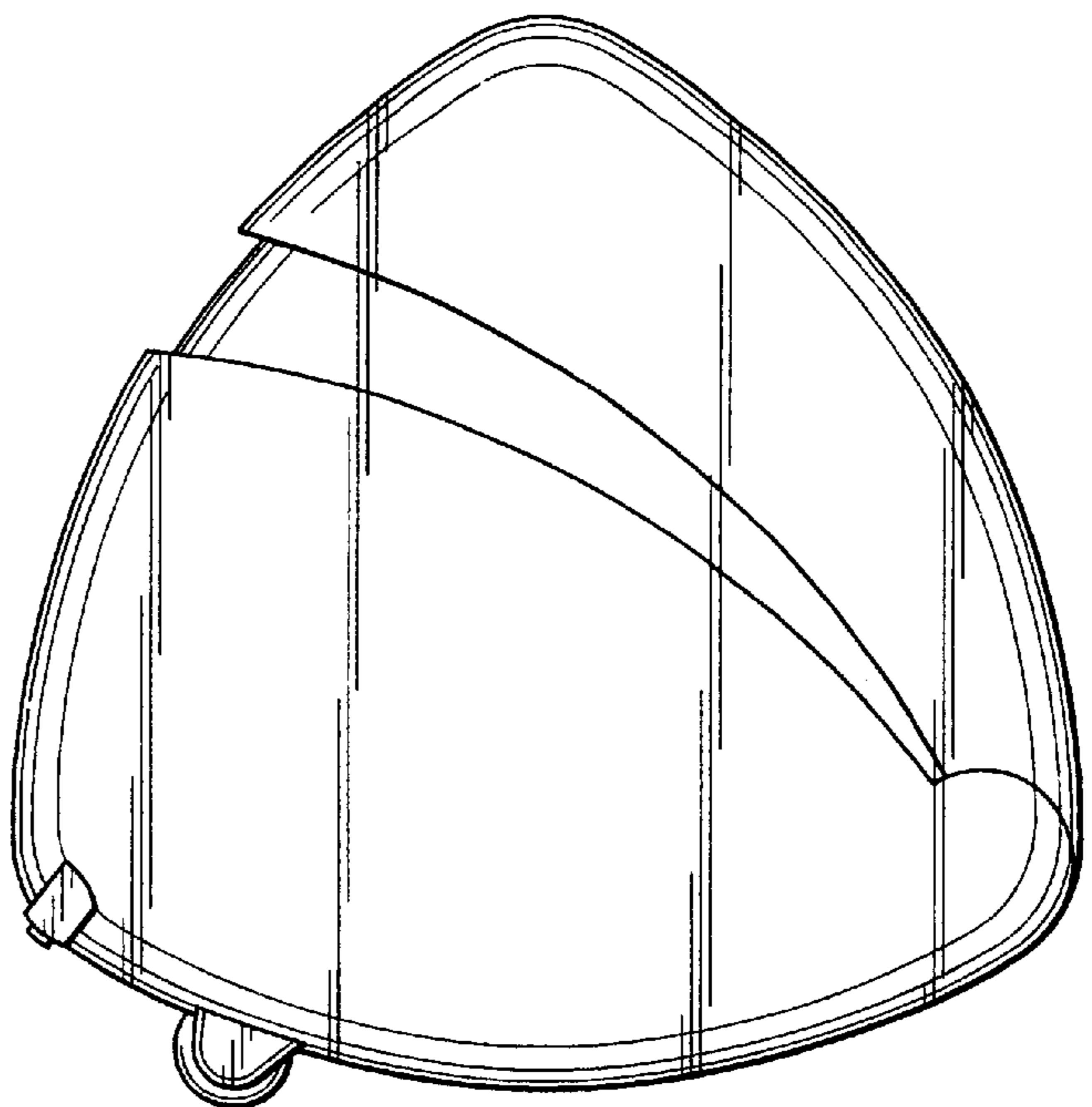


FIG. 2

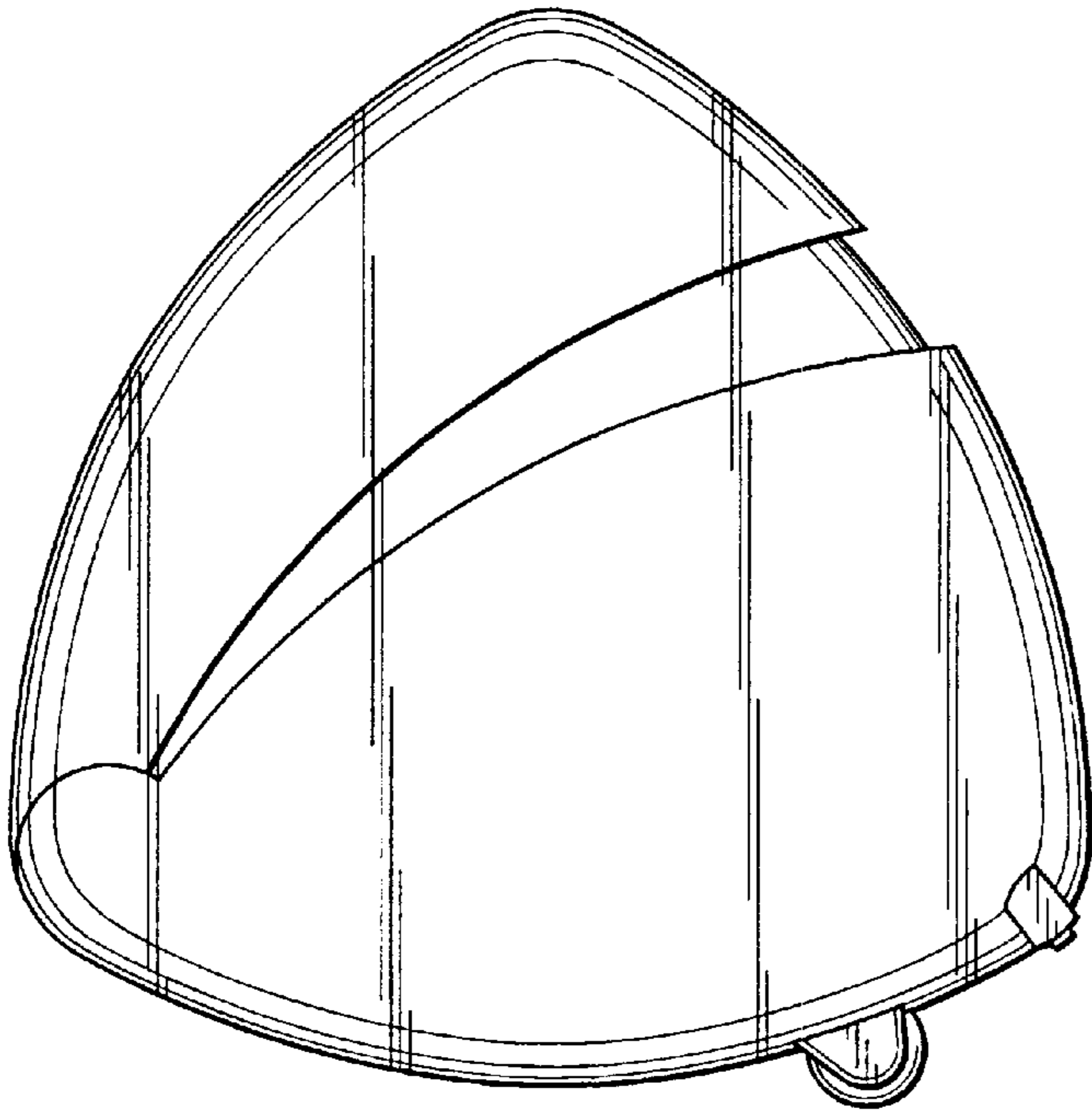


FIG. 5

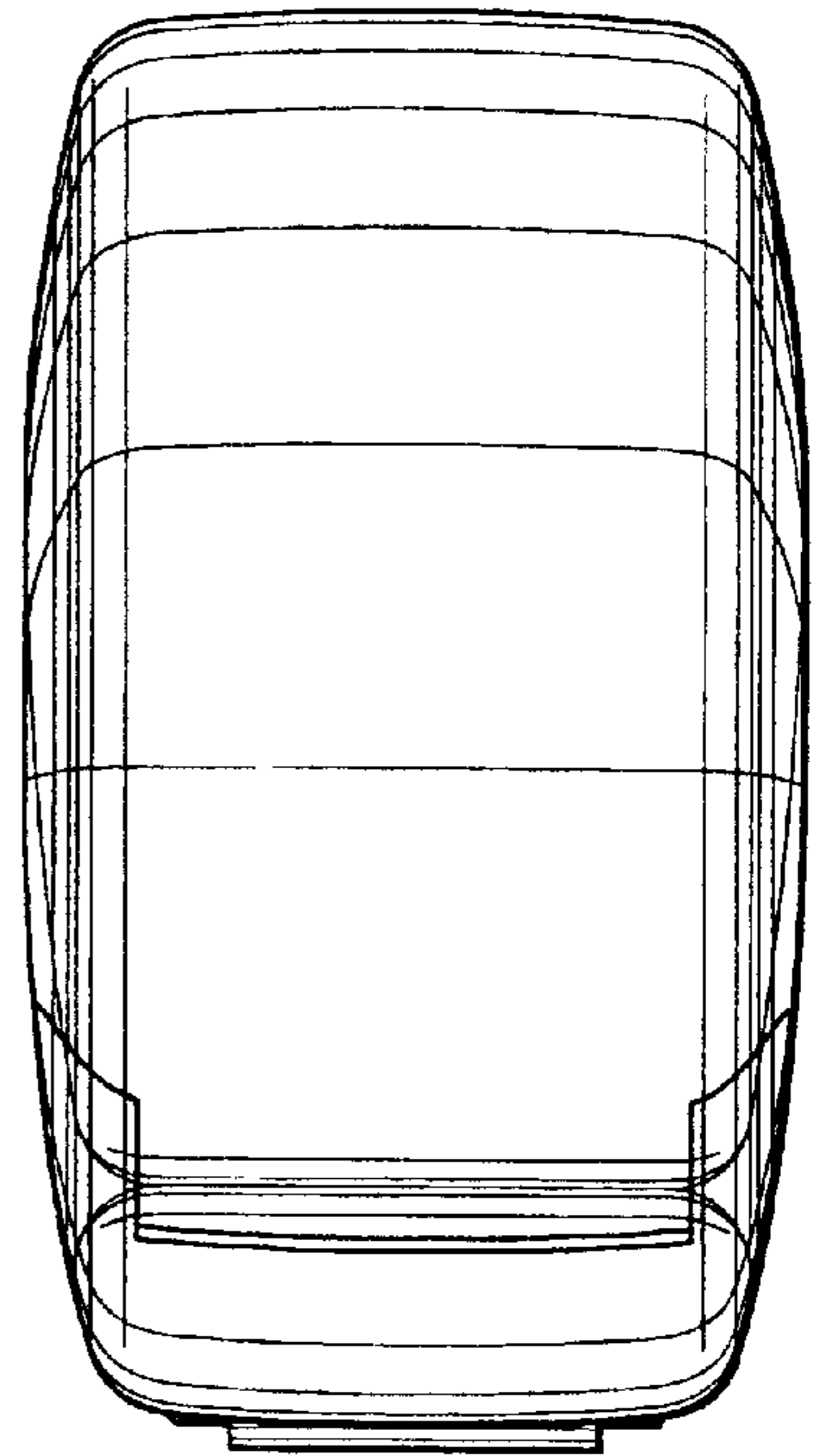


FIG. 6

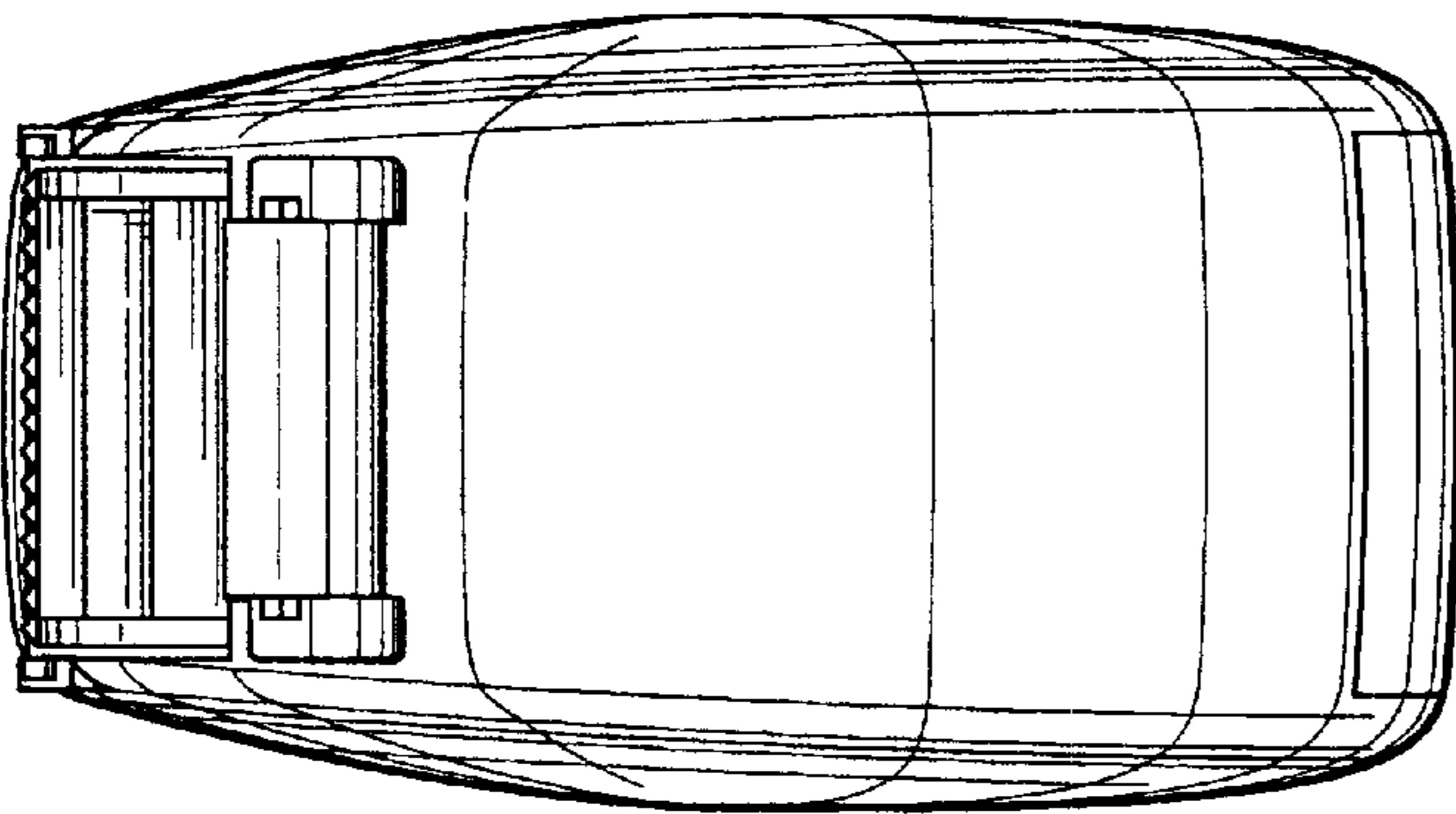


FIG. 7