



US00D457188S

(12) **United States Design Patent**
Ozu

(10) **Patent No.:** **US D457,188 S**

(45) **Date of Patent:** **** May 14, 2002**

(54) **CAP FOR A WRITING INSTRUMENT**

(75) **Inventor:** **Tatsuya Ozu, Kadoma (JP)**

(73) **Assignee:** **Sakura Color Products Corporation, Osaka (JP)**

(**) **Term:** **14 Years**

(21) **Appl. No.:** **29/135,365**

(22) **Filed:** **Jan. 10, 2001**

(51) **LOC (7) Cl.** **19-06**

(52) **U.S. Cl.** **D19/57; D19/56; D19/48**

(58) **Field of Search** **D19/35, 36, 41-51, D19/53-58, 81-85; 401/98, 202, 213, 243-247, 262**

(56) **References Cited**

U.S. PATENT DOCUMENTS

D310,542 S	*	9/1990	Regnault	D19/43
D310,684 S	*	9/1990	Itoh	D19/57
D317,324 S	*	6/1991	Chuang	D19/57
5,066,156 A	*	11/1991	Petrillo et al.	401/213
D340,069 S	*	10/1993	Garry	D19/57

D341,623 S	*	11/1993	Chuang	D19/36
D351,417 S	*	10/1994	Oka	D19/57
D402,312 S	*	12/1998	Chevalier et al.	D19/57
D436,997 S	*	1/2001	Chuang	D19/57

* cited by examiner

Primary Examiner—Martie K. Holtje

(74) *Attorney, Agent, or Firm*—Wood, Phillips, VanSanten, Clark & Mortimer

(57) **CLAIM**

The ornamental design for a cap for a writing instrument, as shown and described.

DESCRIPTION

FIG. 1 is a bottom, right front perspective view of a cap for a writing instrument showing my new design; FIG. 2 is a front elevational view thereof; FIG. 3 is a rear elevational view thereof; FIG. 4 is a left side elevational view thereof; FIG. 5 is a right side elevational view thereof; FIG. 6 is a bottom plan view thereof; and, FIG. 7 is a top plan view thereof.

1 Claim, 2 Drawing Sheets

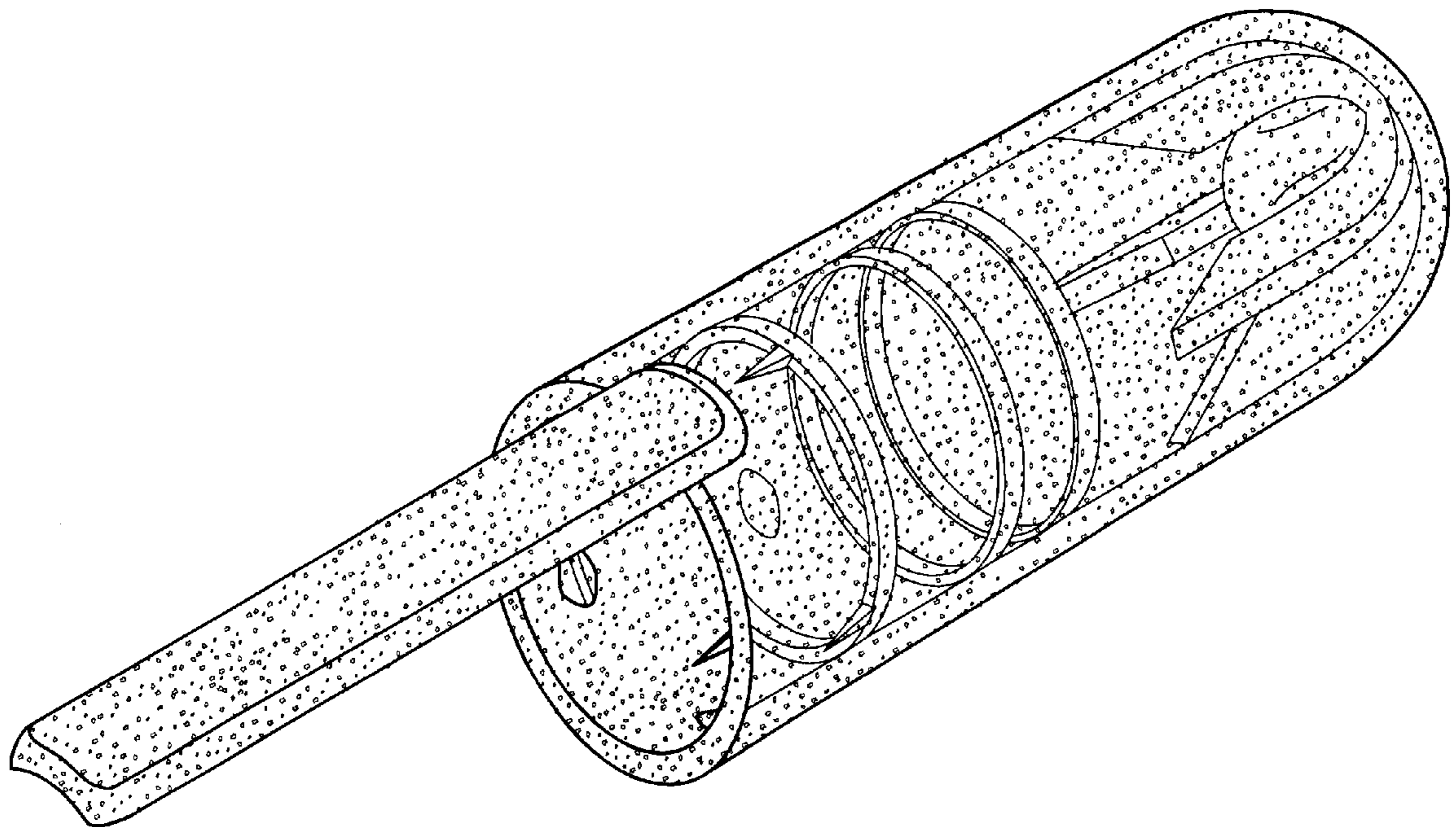


Fig. 1

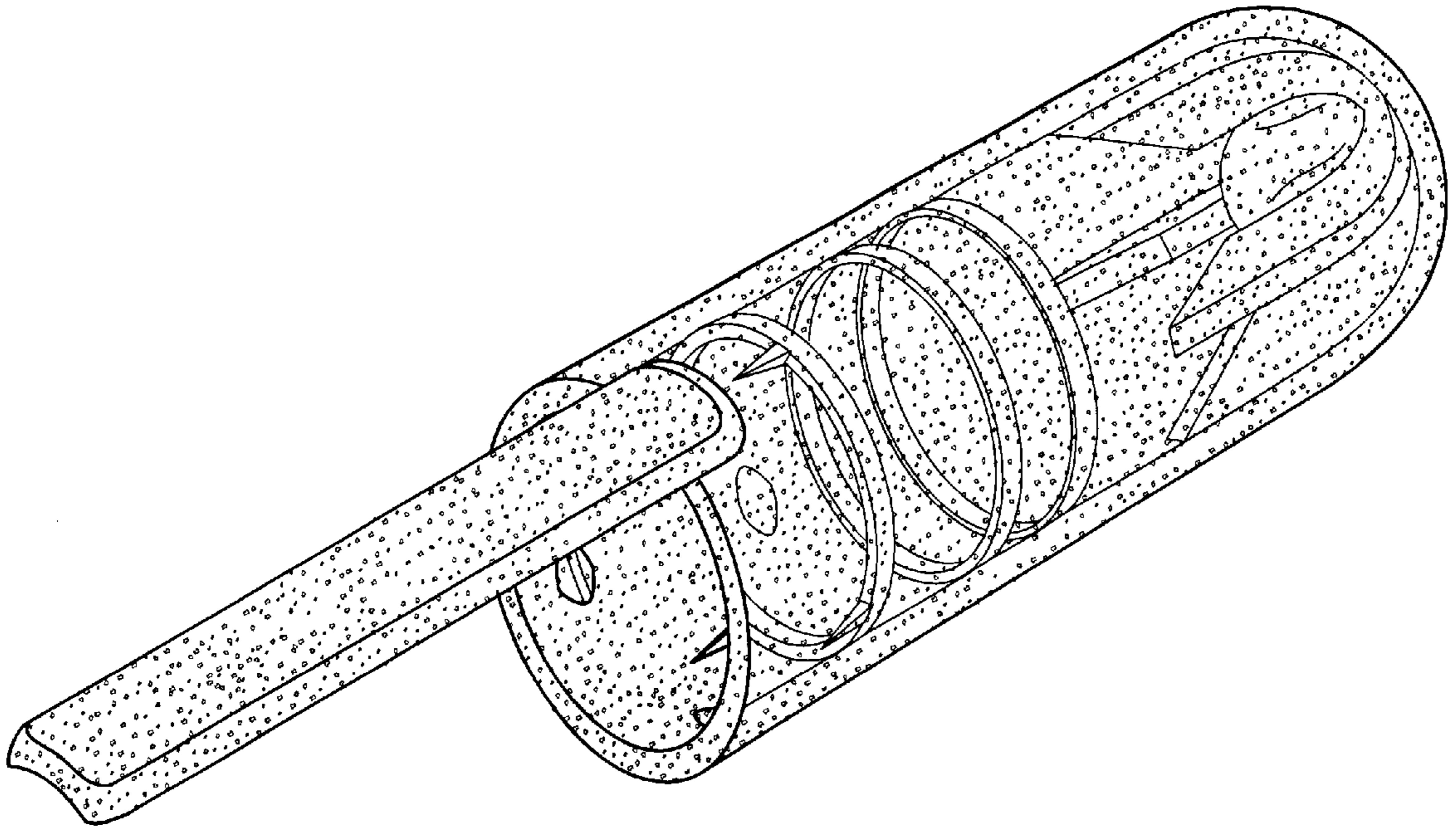


Fig. 2

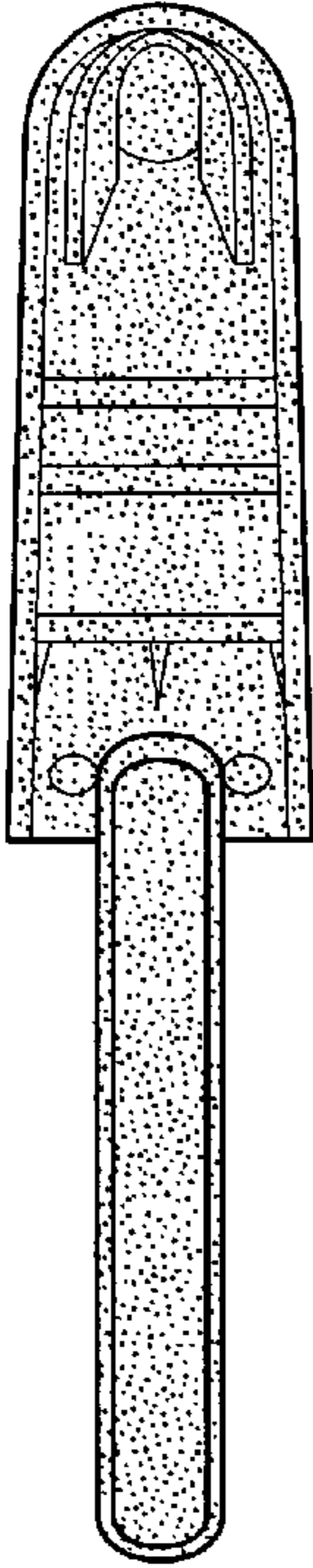


Fig. 3

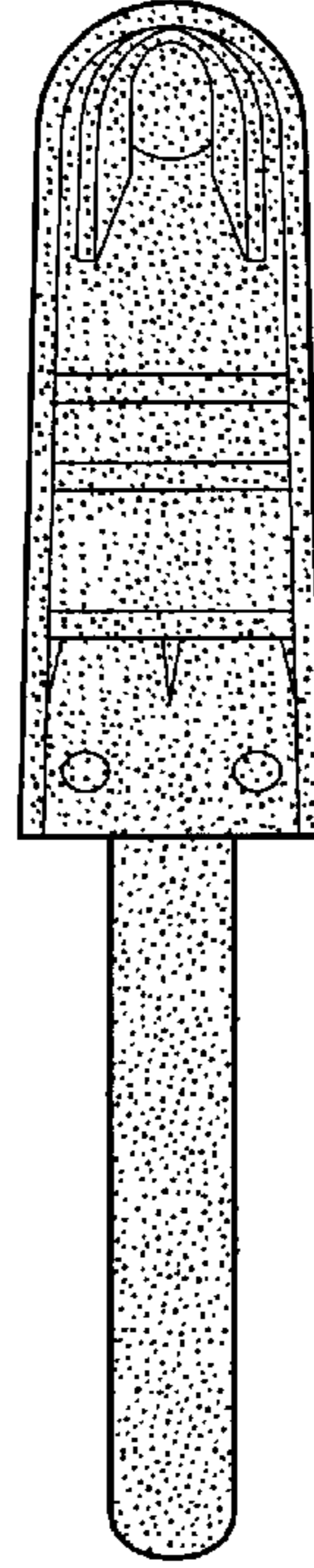


Fig. 6

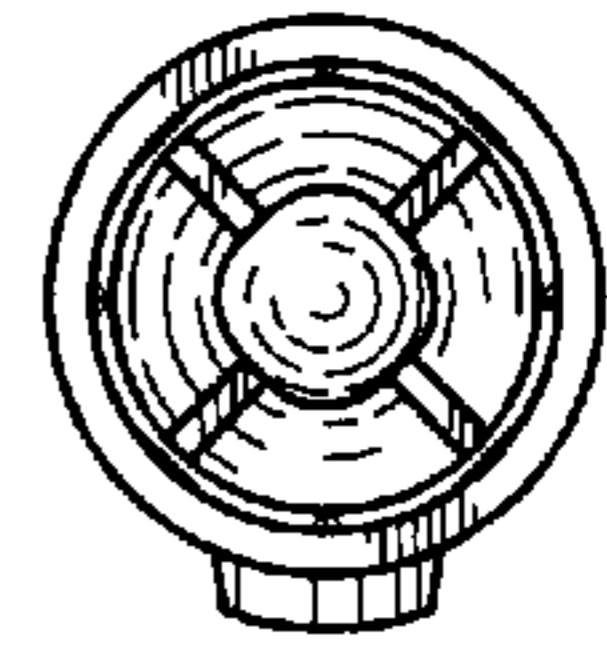


Fig. 4

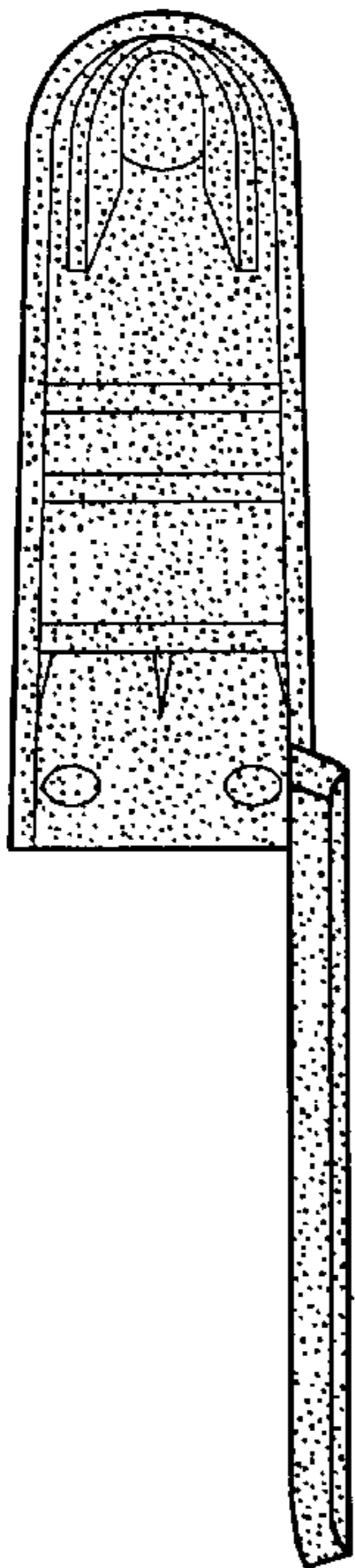


Fig. 5

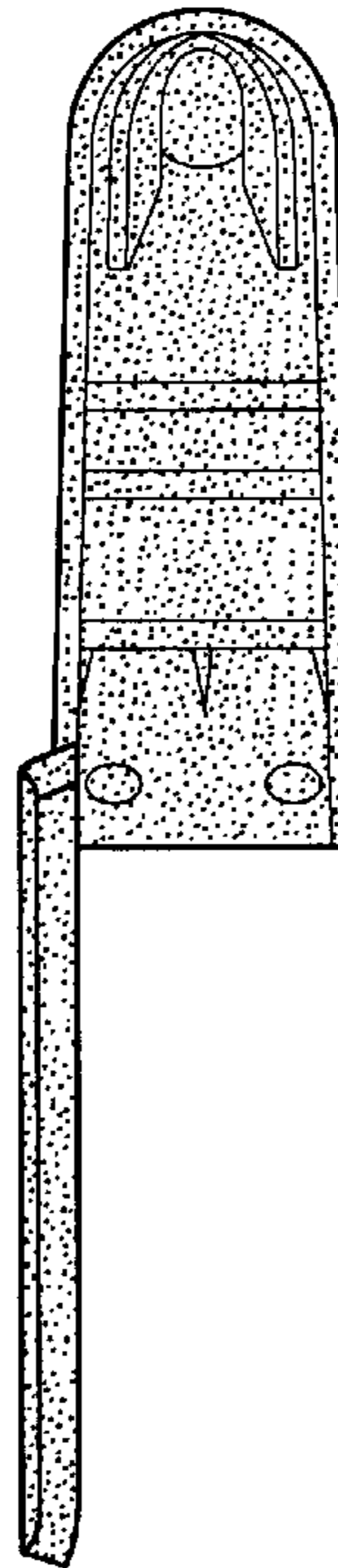


Fig. 7

