



US00D457186S

(12) **United States Design Patent**
Moon

(10) **Patent No.:** **US D457,186 S**

(45) **Date of Patent:** **** May 14, 2002**

(54) **PEN**

(75) **Inventor:** **Jaehoon Moon, Seoul (KR)**

(73) **Assignee:** **Morris Pen Corporation, Incheon (KR)**

(**) **Term:** **14 Years**

(21) **Appl. No.:** **29/147,959**

(22) **Filed:** **Sep. 10, 2001**

(51) **LOC (7) Cl.** **19-06**

(52) **U.S. Cl.** **D19/43; D19/51; D19/56; D19/57**

(58) **Field of Search** **D19/35, 36, 41-51, D19/53-58, 81-85; 401/98, 196, 198, 202, 209, 213, 243-247, 261, 262**

(56) **References Cited**

U.S. PATENT DOCUMENTS

D306,316 S	*	2/1990	Shintani	D19/36
D363,947 S	*	11/1995	Kimura	D19/51 X
D401,278 S	*	11/1998	Hu	D19/51
D404,069 S	*	1/1999	Hasegawa	D19/36
D414,201 S	*	9/1999	Larson et al.	D19/56 X

* cited by examiner

Primary Examiner—Martie K. Holtje

(74) *Attorney, Agent, or Firm*—John K. Park; Park & Sutton LLP

(57) **CLAIM**

The ornamental design for a pen, as shown and described.

DESCRIPTION

FIG. 1 is a perspective view of a pen showing a first embodiment of my new design;

FIG. 2 is an exploded perspective view of FIG. 1;

FIG. 3 is a front elevational view of FIG. 1;

FIG. 4 is a side elevational view of FIG. 1, the opposite side being a mirror image;

FIG. 5 is a rear elevational view of FIG. 1;

FIG. 6 is a top plan view of FIG. 1;

FIG. 7 is a bottom plan view of FIG. 1;

FIG. 8 is a perspective view of a second embodiment of my new design;

FIG. 9 is an exploded perspective view of FIG. 8;

FIG. 10 is a front elevational view of FIG. 8;

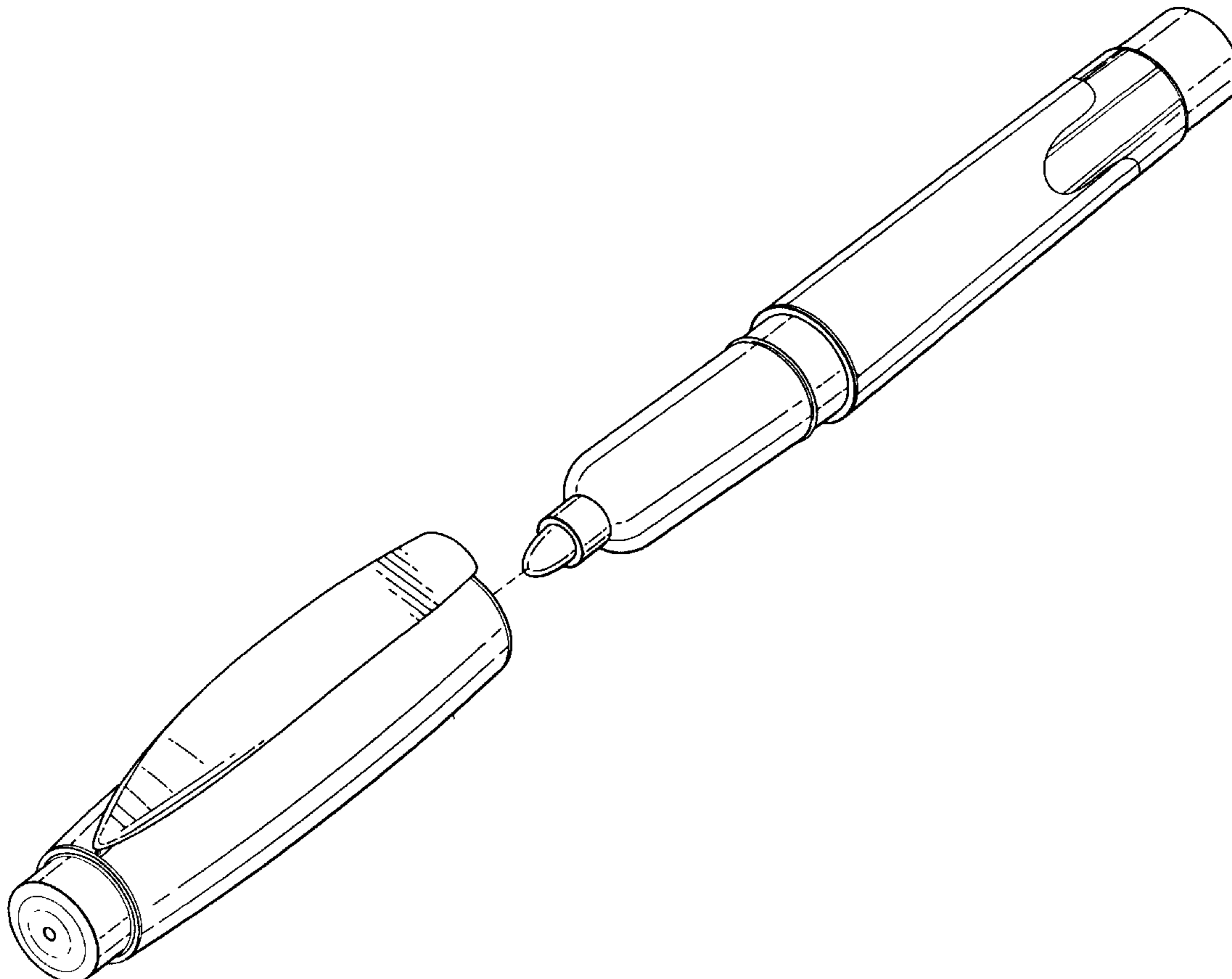
FIG. 11 is a side elevational view of FIG. 8, the opposite side being a mirror image;

FIG. 12 is a rear elevational view of FIG. 8;

FIG. 13 is a top plan view of FIG. 8; and,

FIG. 14 is a bottom plan view of FIG. 8.

1 Claim, 4 Drawing Sheets



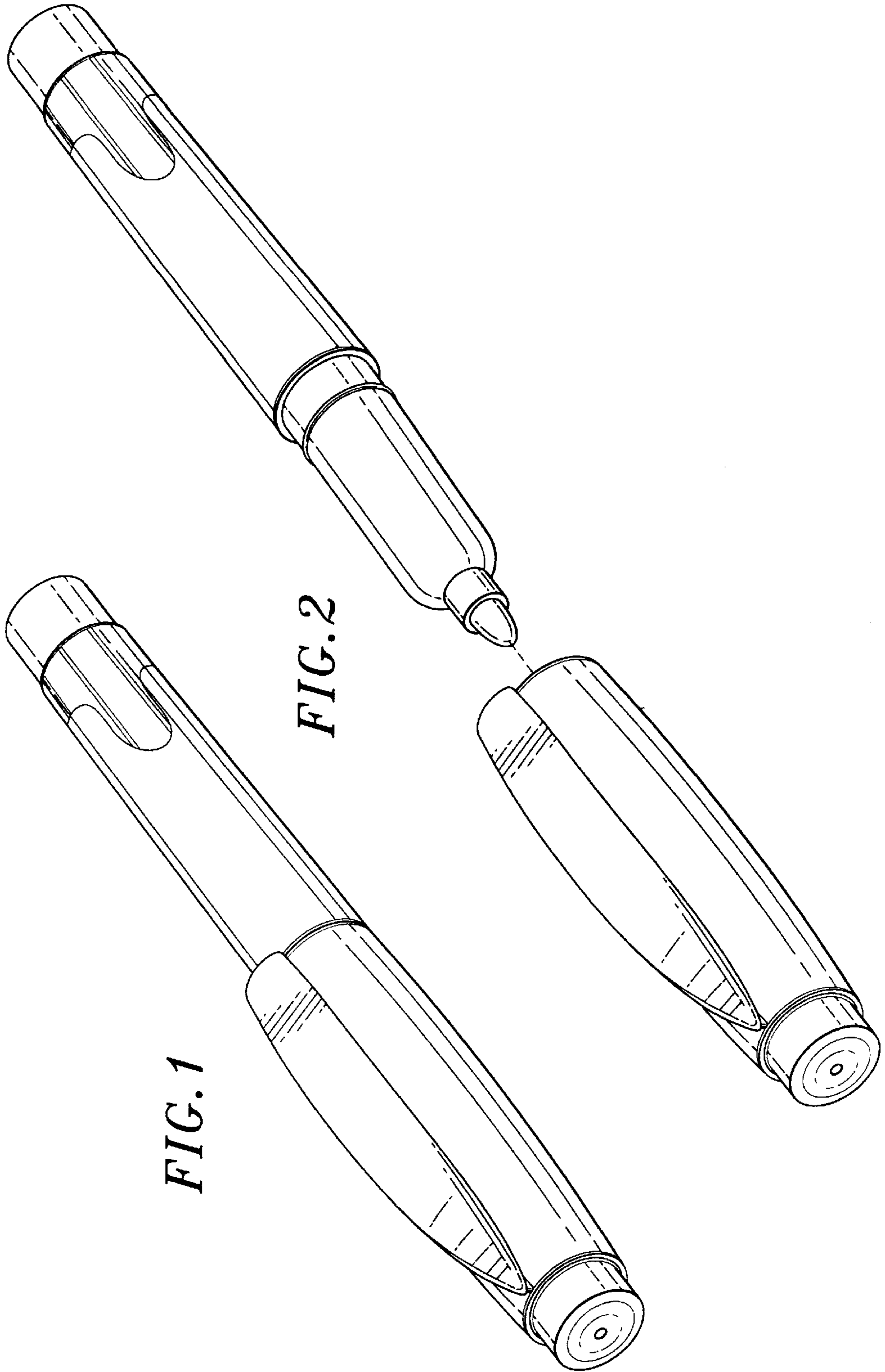


FIG.3

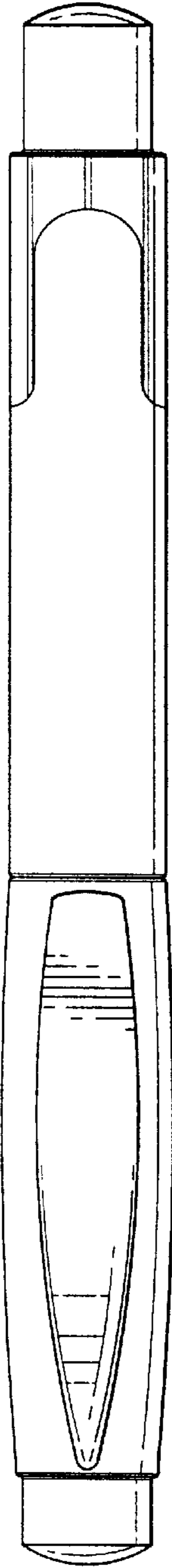


FIG.6

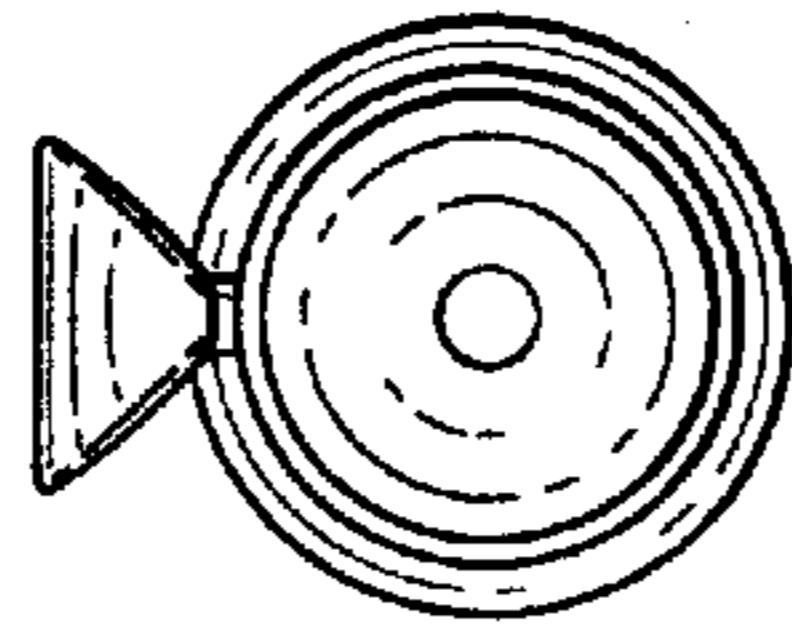


FIG.4

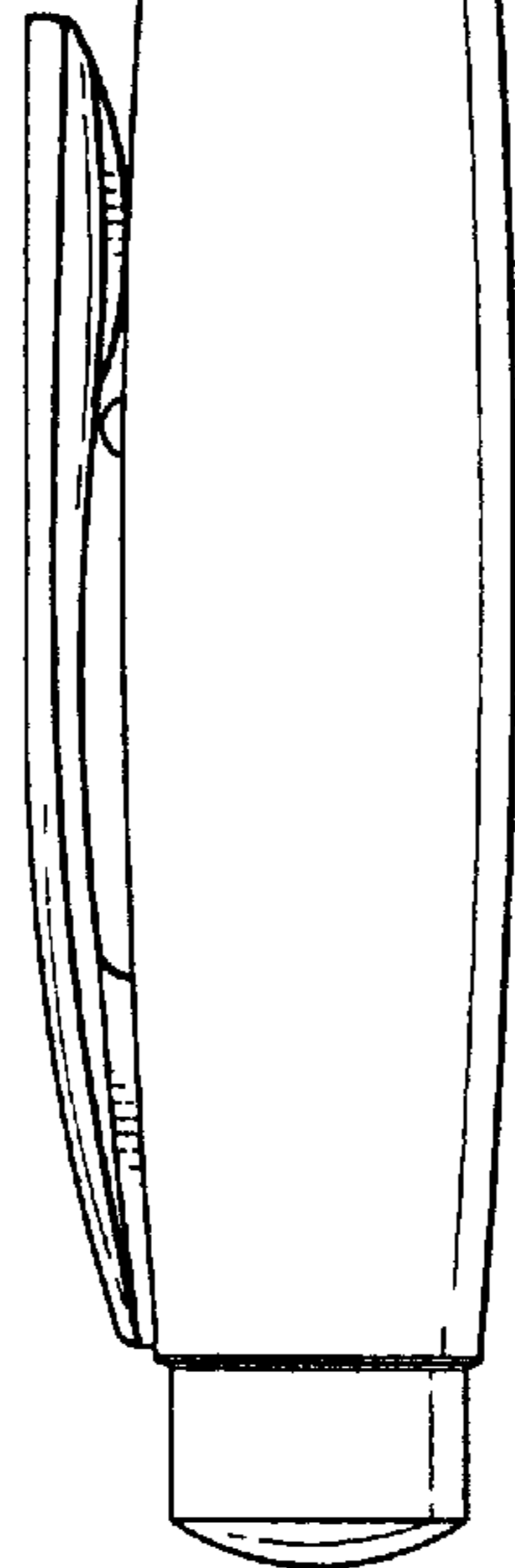


FIG.7

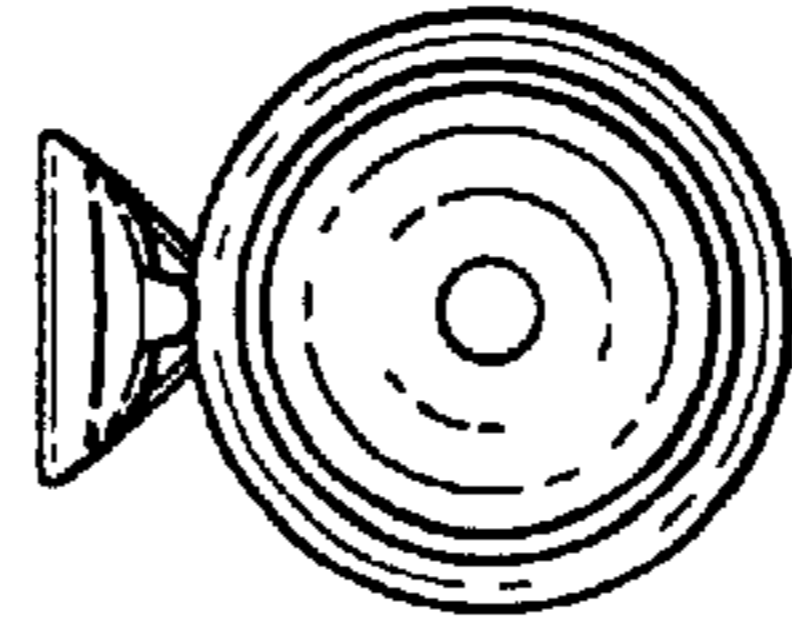
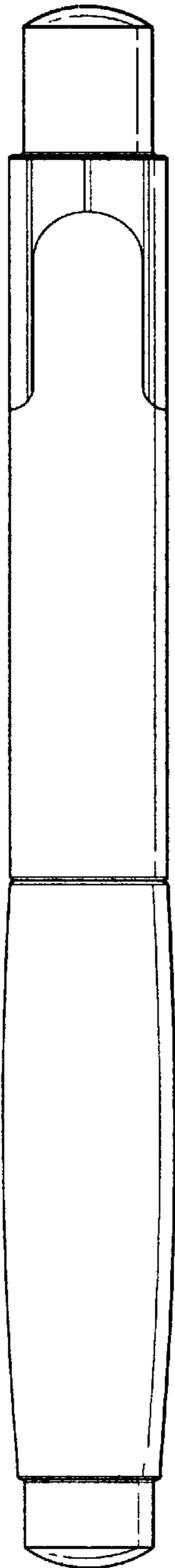


FIG.5



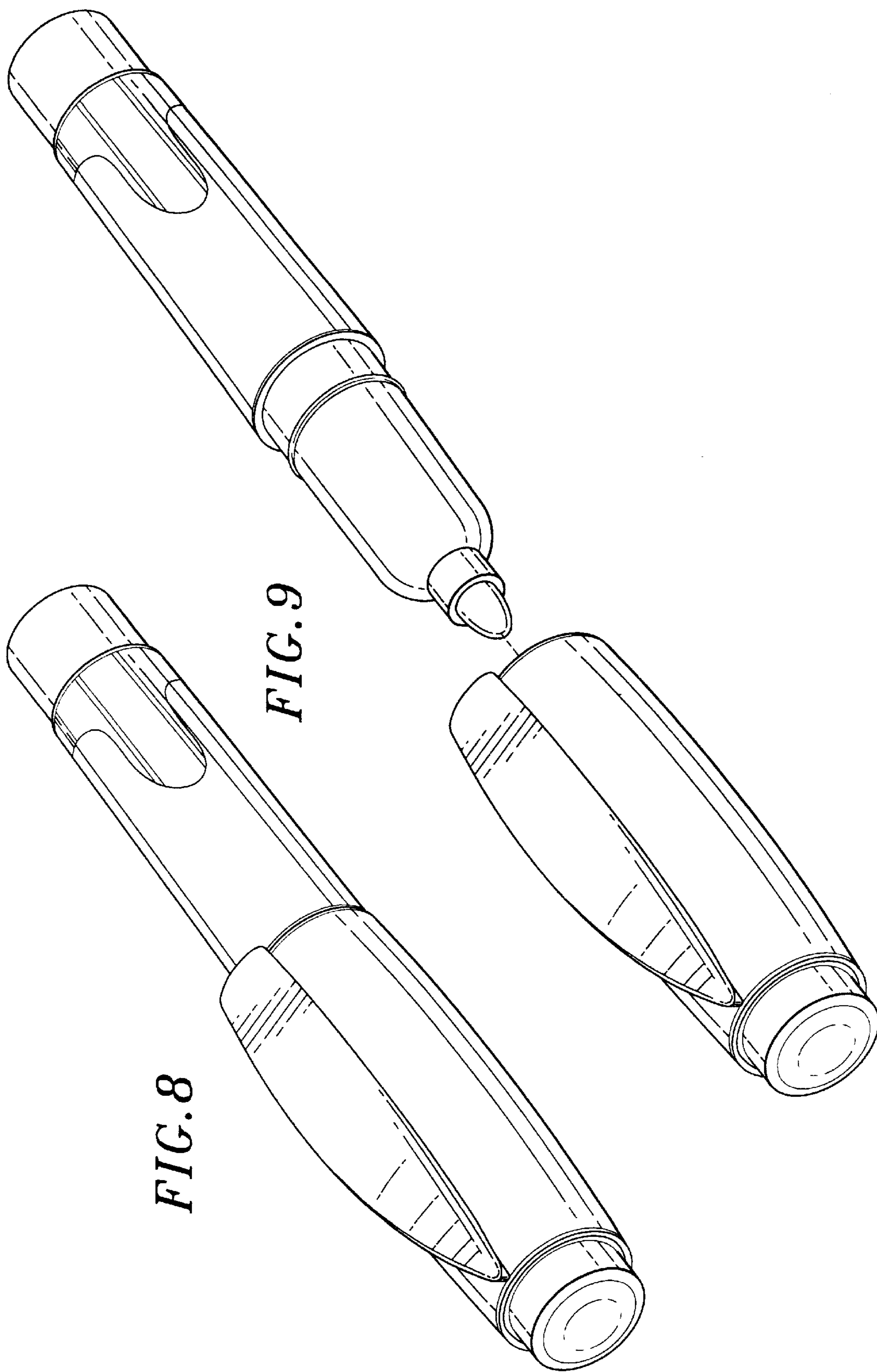


FIG. 10

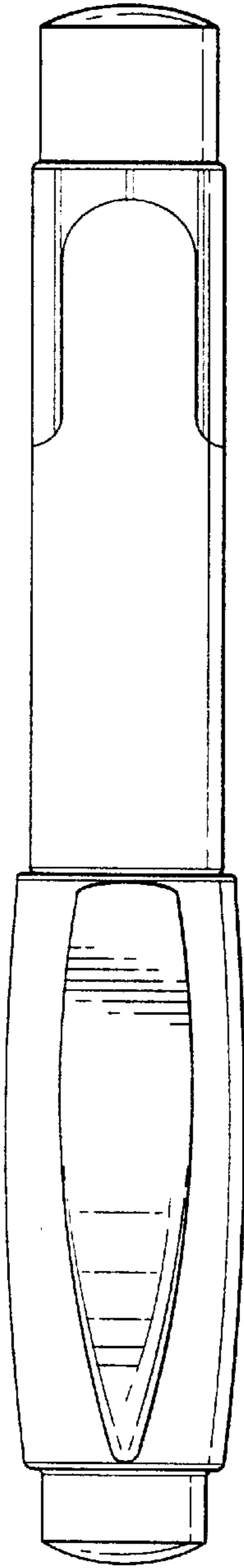


FIG. 13

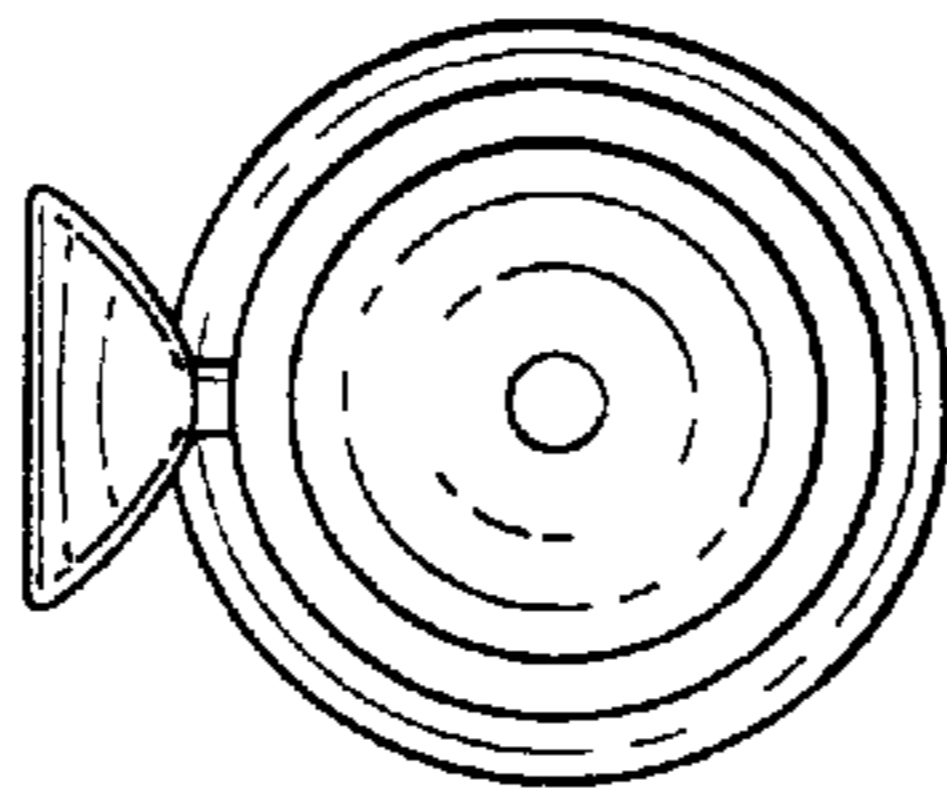


FIG. 11

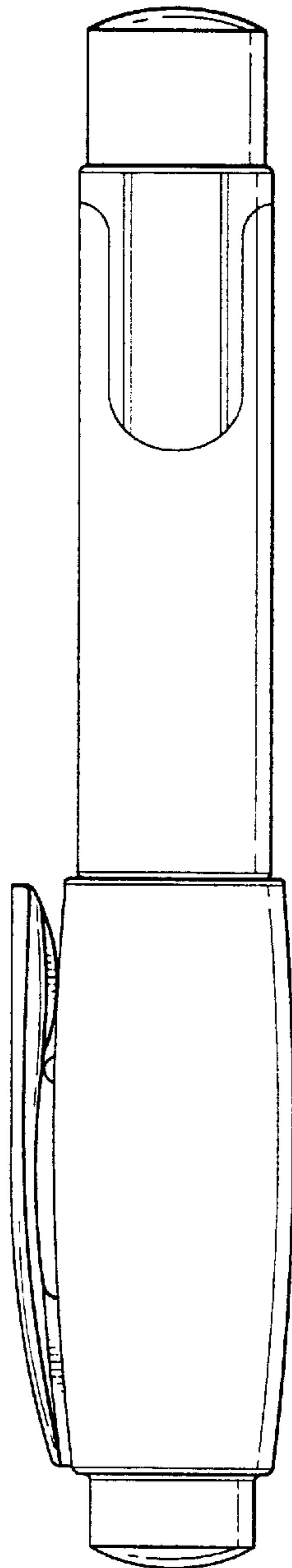


FIG. 14

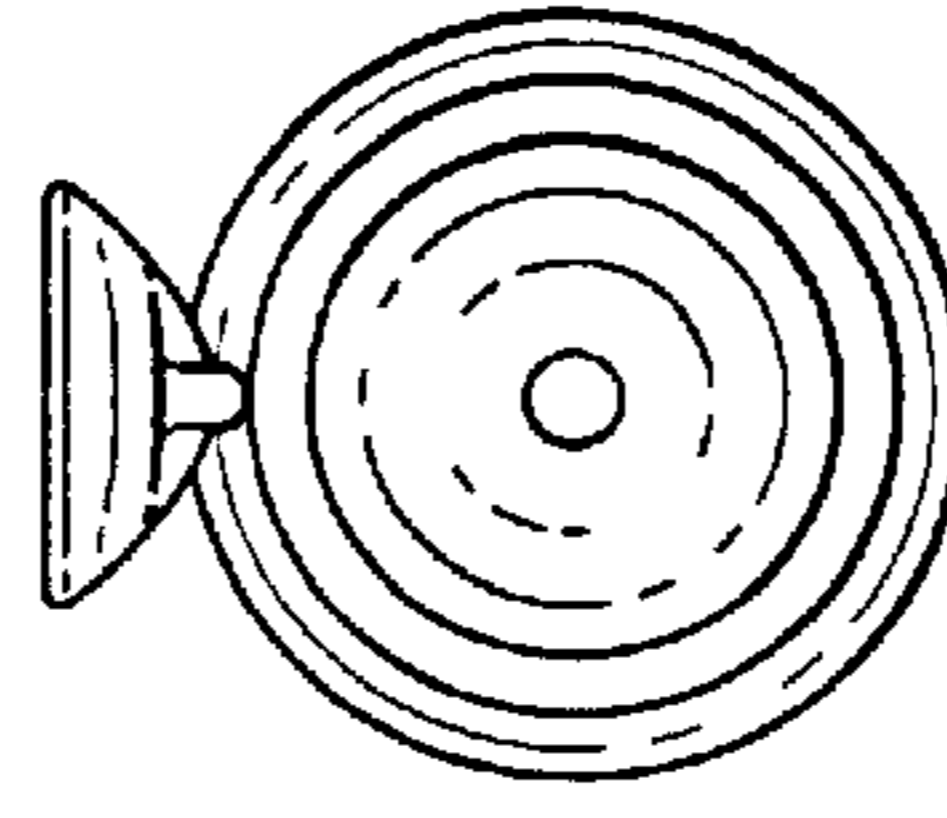


FIG. 12

