



US00D457184S

(12) **United States Design Patent**
Boyd et al.

(10) **Patent No.:** **US D457,184 S**

(45) **Date of Patent:** **** May 14, 2002**

(54) **INK JET PRINT CARTRIDGE**

(75) Inventors: **Patrick V Boyd**, Albany; **Tom Haldorsen**, Hillsboro, both of OR (US)

(73) Assignee: **Hewlett-Packard Company**, Palo Alto, CA (US)

(**) Term: **14 Years**

(21) Appl. No.: **29/141,157**

(22) Filed: **Apr. 30, 2001**

(51) **LOC (7) Cl.** **18-02**

(52) **U.S. Cl.** **D18/56; 347/86**

(58) **Field of Search** **D18/43, 56; 347/86, 347/87**

(56) **References Cited**

U.S. PATENT DOCUMENTS

| | | | | | |
|-------------|---|---------|----------------|-------|--------|
| D340,063 S | * | 10/1993 | Chow | | D18/56 |
| D395,445 S | * | 6/1998 | Tokuda et al. | | D18/56 |
| D425,110 S | * | 5/2000 | Dietl et al. | | D18/56 |
| D425,112 S | * | 5/2000 | Shinada et al. | | D18/56 |
| D425,285 S | * | 5/2000 | Shinada et al. | | 347/86 |
| 6,059,916 A | * | 5/2000 | Betschon | | 347/86 |

| | | | | | |
|--------------|---|--------|------------------|-------|--------|
| D438,896 S | * | 3/2001 | Shinada et al. | | D18/56 |
| D439,609 S | * | 3/2001 | Shinada et al. | | D18/56 |
| D439,925 S | * | 4/2001 | Santhanam et al. | | D18/56 |
| D440,250 S | * | 4/2001 | Gonzales et al. | | D18/56 |
| D442,221 S | * | 5/2001 | Seino et al. | | D18/56 |
| 6,227,663 B1 | * | 5/2001 | Santhanam et al. | | 347/87 |
| D443,893 S | * | 6/2001 | Gonzales et al. | | D18/56 |
| 6,290,346 B1 | * | 9/2001 | Santhanam et al. | | 347/86 |

* cited by examiner

Primary Examiner—Cathy Anne MacCormac
(74) *Attorney, Agent, or Firm*—Manuel Quiogue

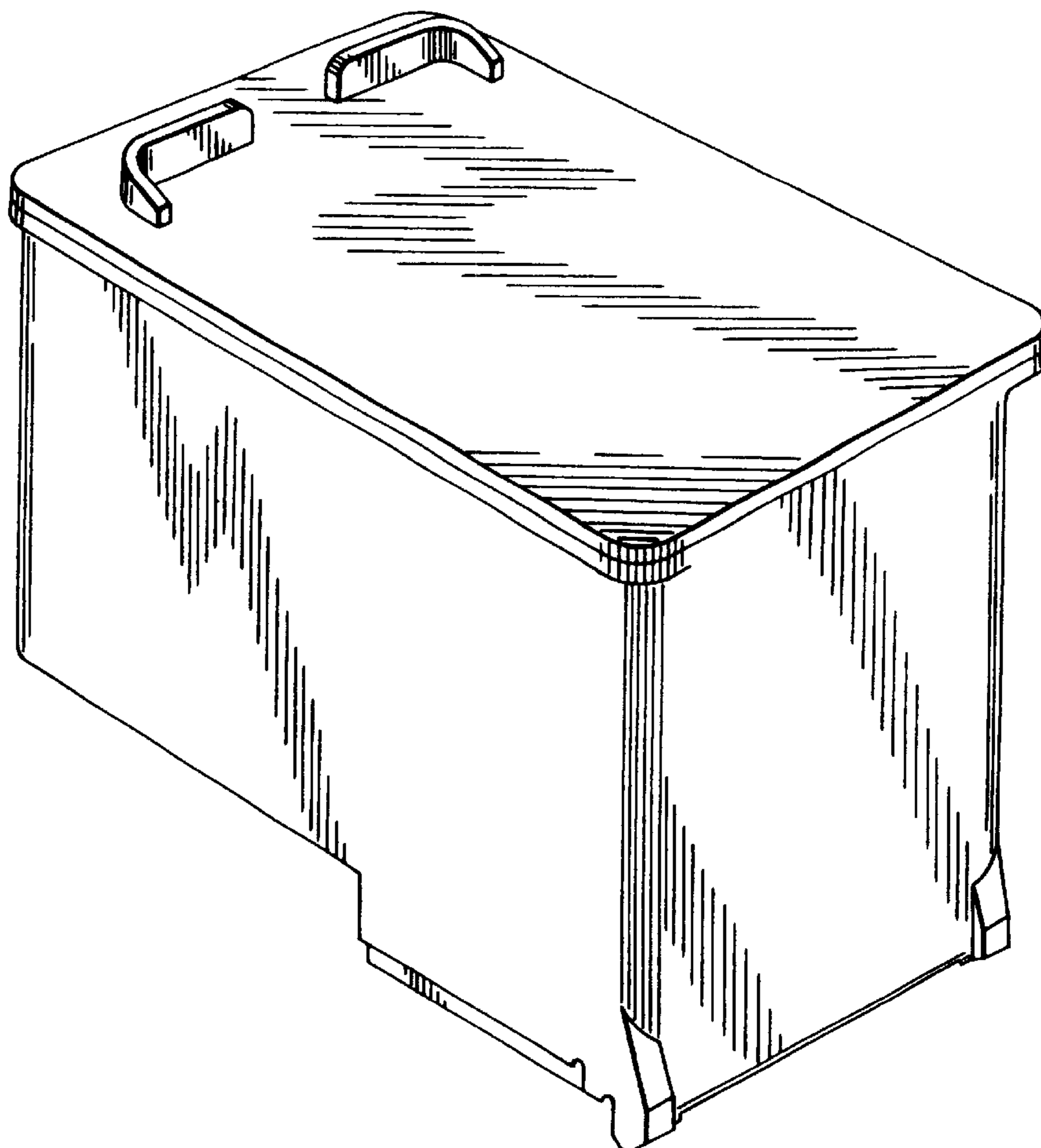
(57) **CLAIM**

The ornamental design for an ink jet print cartridge, as shown.

DESCRIPTION

FIG. 1 is a perspective view illustrating our new design; FIG. 2 is a top plan view of our new design; FIG. 3 is a right side elevational view of our new design; the left side is a mirror image; FIG. 4 is a bottom plan view of our new design; FIG. 5 is a rear elevational view of our new design; and, FIG. 6 is a front elevational view of our new design.

1 Claim, 3 Drawing Sheets



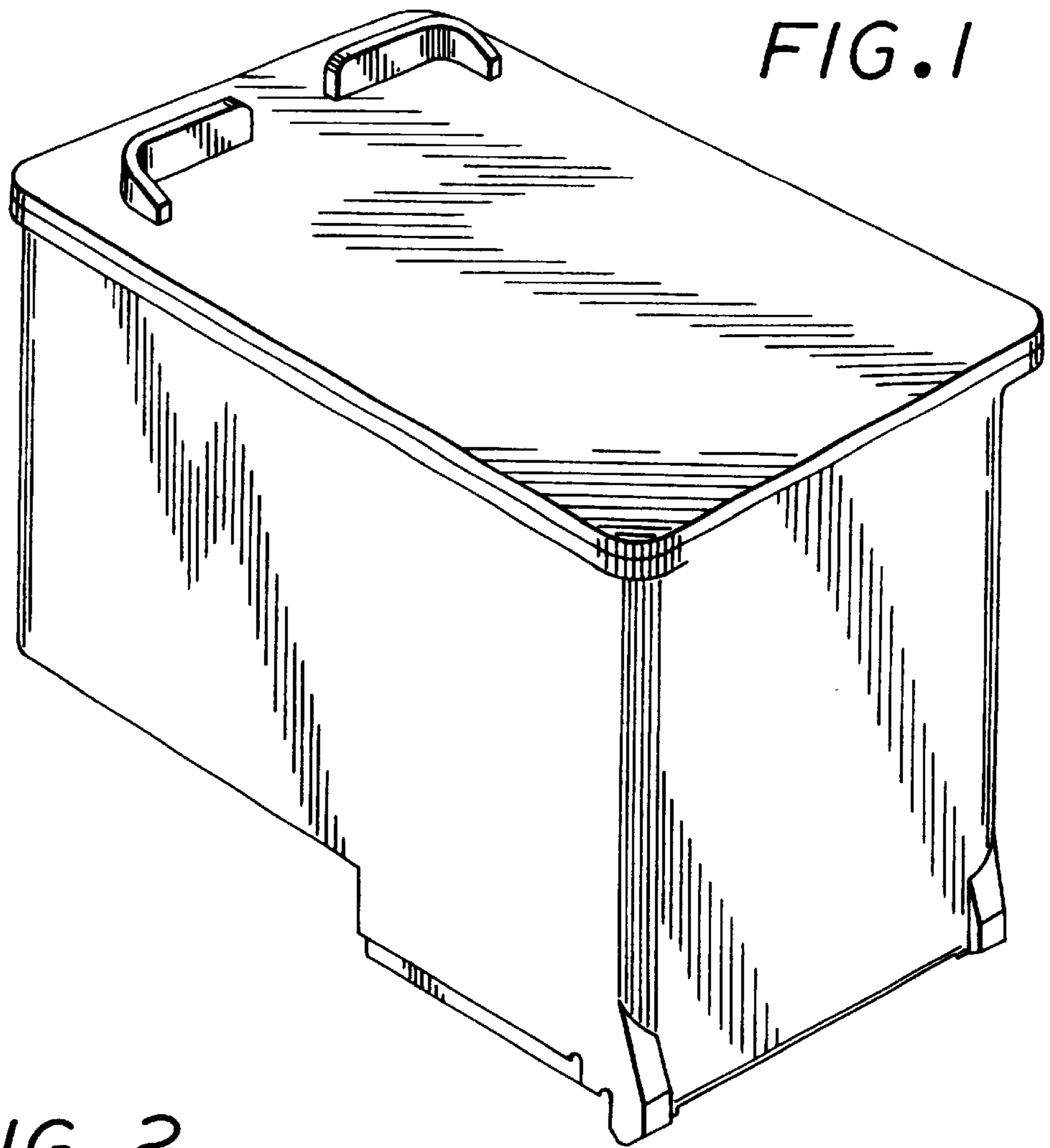


FIG. 1

FIG. 2

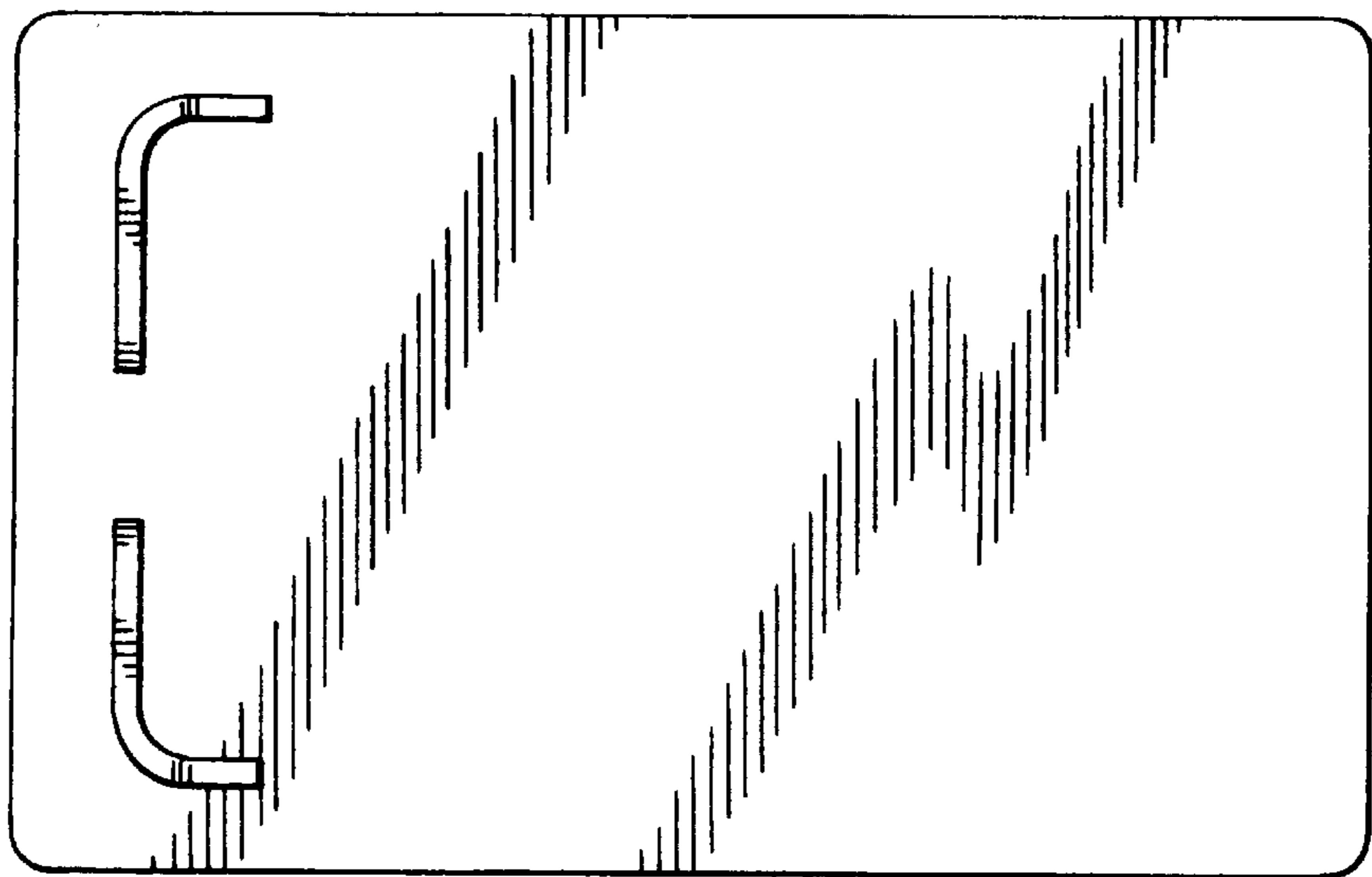


FIG. 3

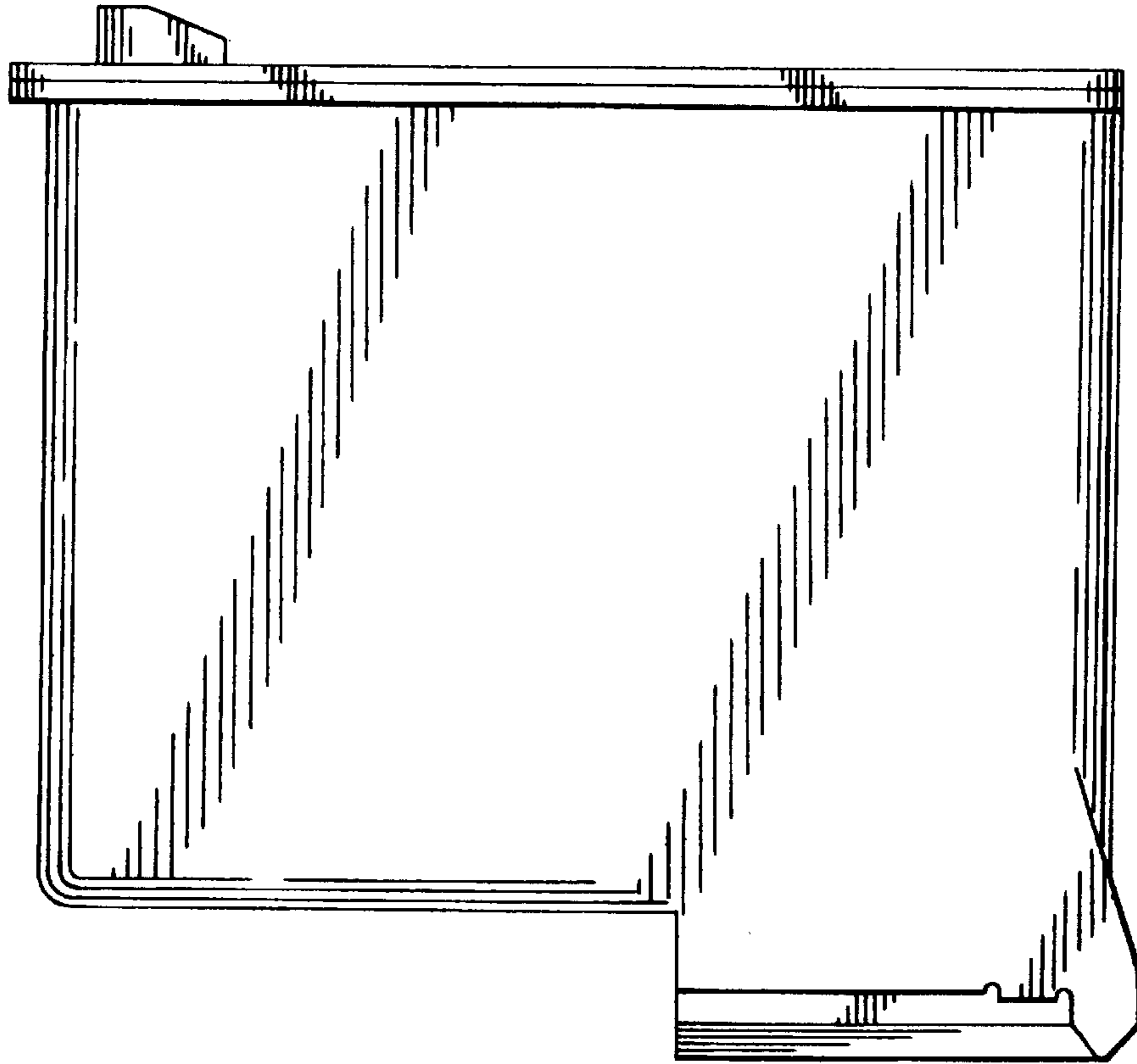


FIG. 4

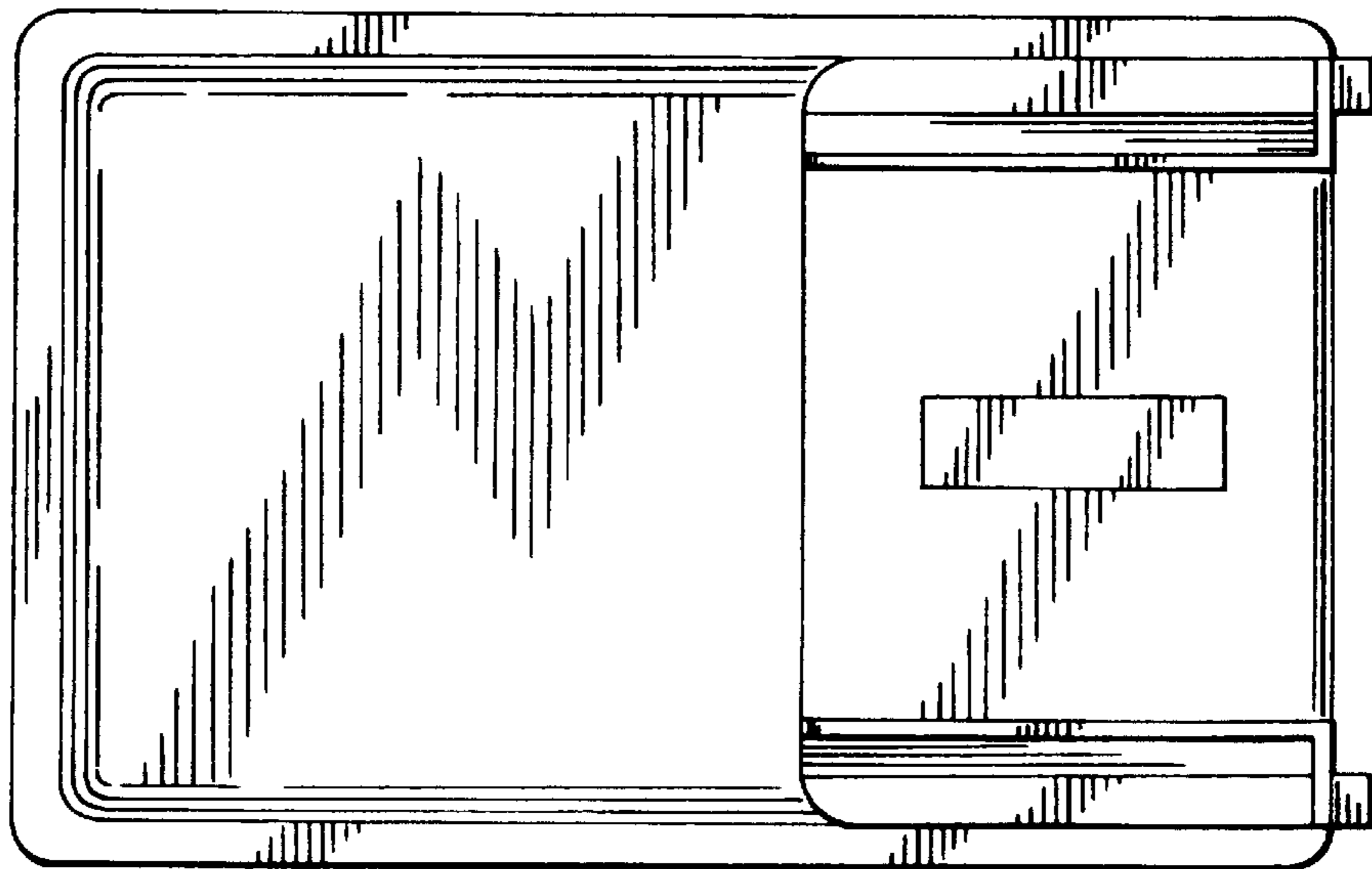


FIG. 5

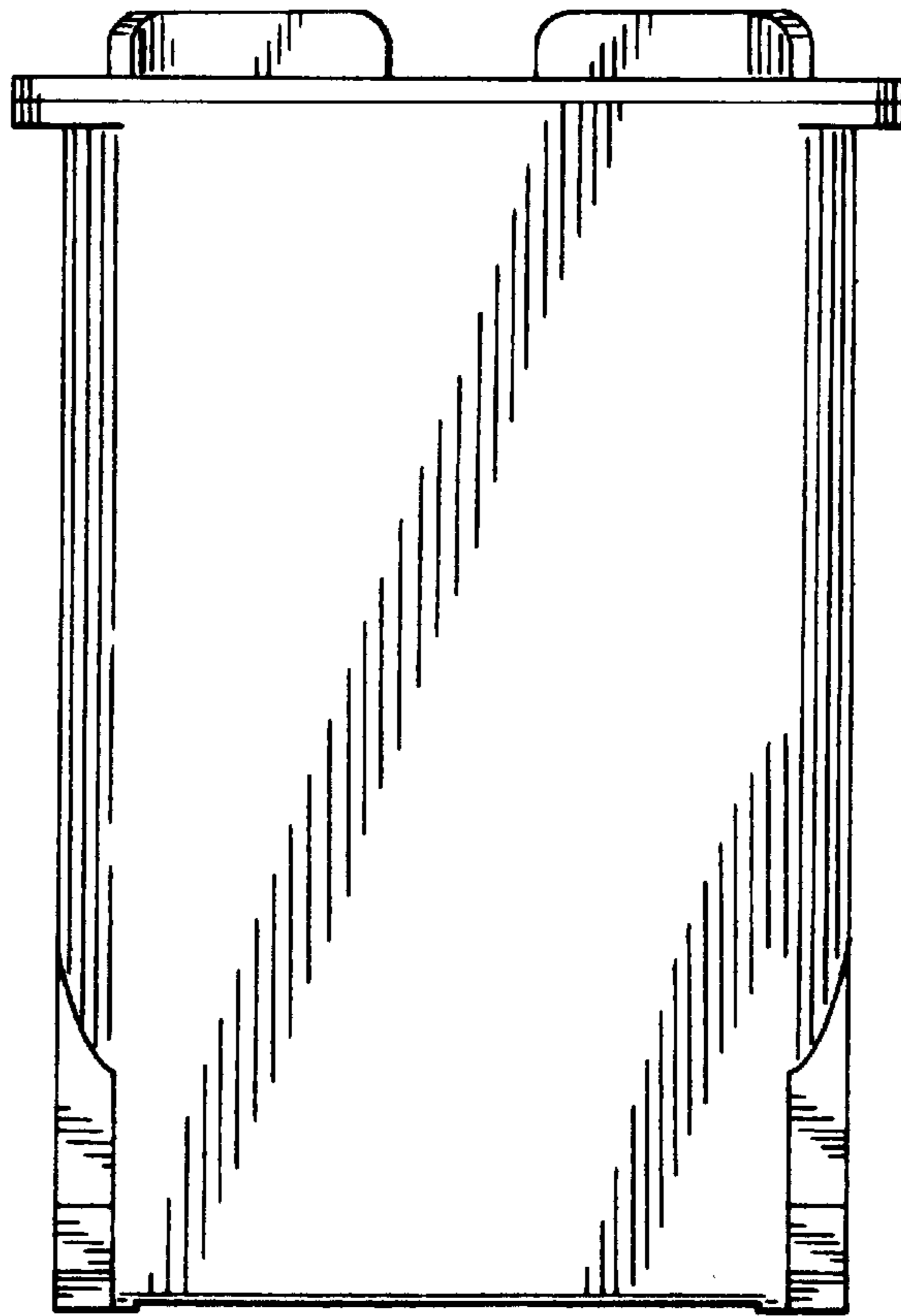


FIG. 6

