



US00D457180S

(12) **United States Design Patent**  
**Gotham et al.**

(10) **Patent No.:** **US D457,180 S**

(45) **Date of Patent:** **\*\* May 14, 2002**

(54) **FILM SCANNER**

(75) Inventors: **David R. Gotham; Michelle M. DeMeyer; Mark Pappalardo**, all of Rochester, NY (US)

(73) Assignee: **Eastman Kodak Company**, Rochester, NY (US)

(\*\*) Term: **14 Years**

(21) Appl. No.: **29/140,631**

(22) Filed: **Apr. 20, 2001**

(51) **LOC (7) Cl.** ..... **16-04**

(52) **U.S. Cl.** ..... **D16/246; D14/421**

(58) **Field of Search** ..... D14/420, 421; D16/246-250; D18/36; 348/96-98; 355/64, 65; 358/408, 474, 497

(56) **References Cited**

**U.S. PATENT DOCUMENTS**

D399,864 S \* 10/1998 Gotham ..... D16/246

D408,837 S \* 4/1999 Gotham et al. .... D16/246

6,178,016 B1 \* 1/2001 Ashe et al. .... 358/474

D442,963 S \* 5/2001 Salazar et al. .... D14/420

D446,539 S \* 8/2001 Gotham, Sr. et al. .... D16/246

\* cited by examiner

*Primary Examiner*—Adir Aronovich

(74) *Attorney, Agent, or Firm*—Roland R. Schindler, II

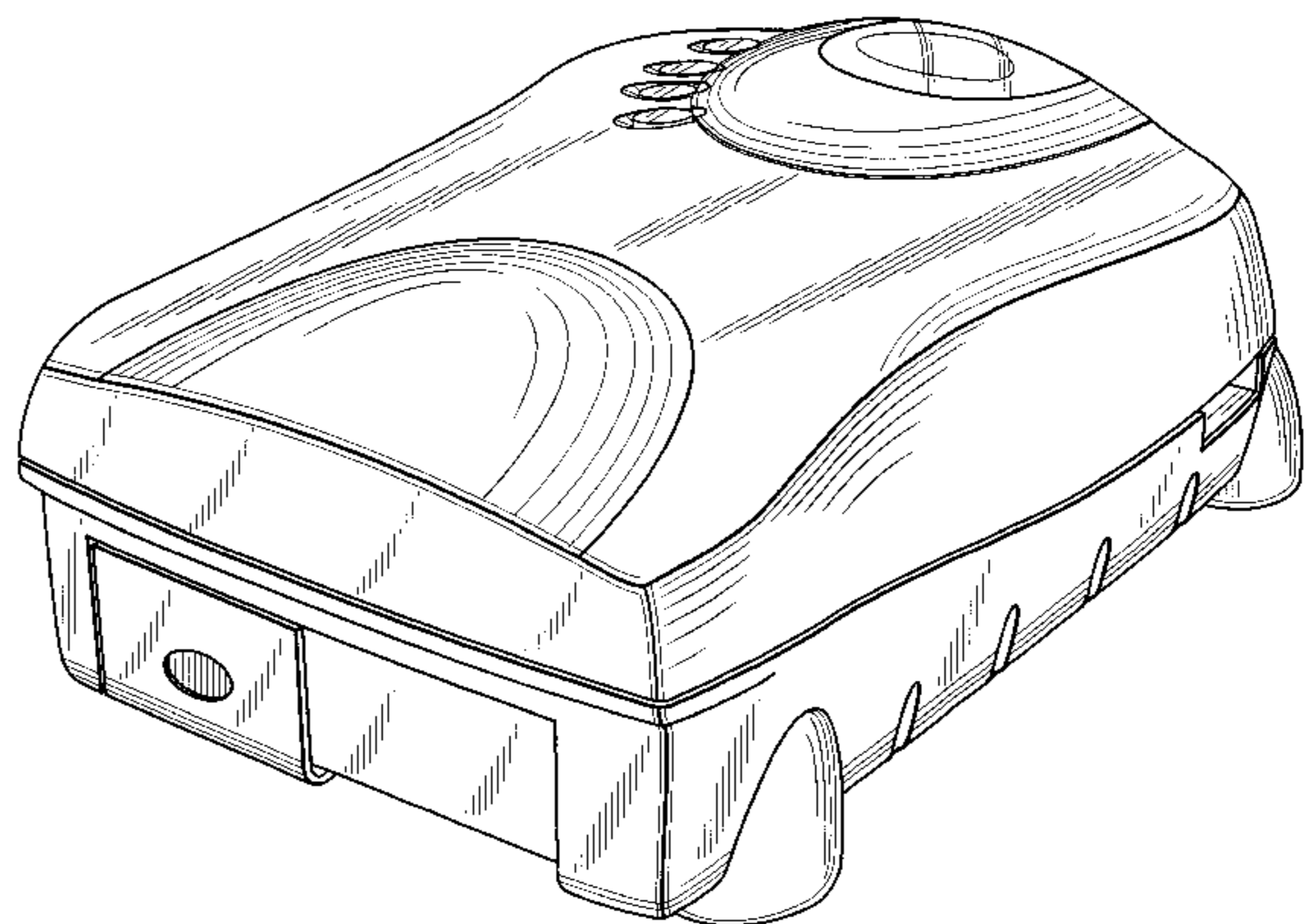
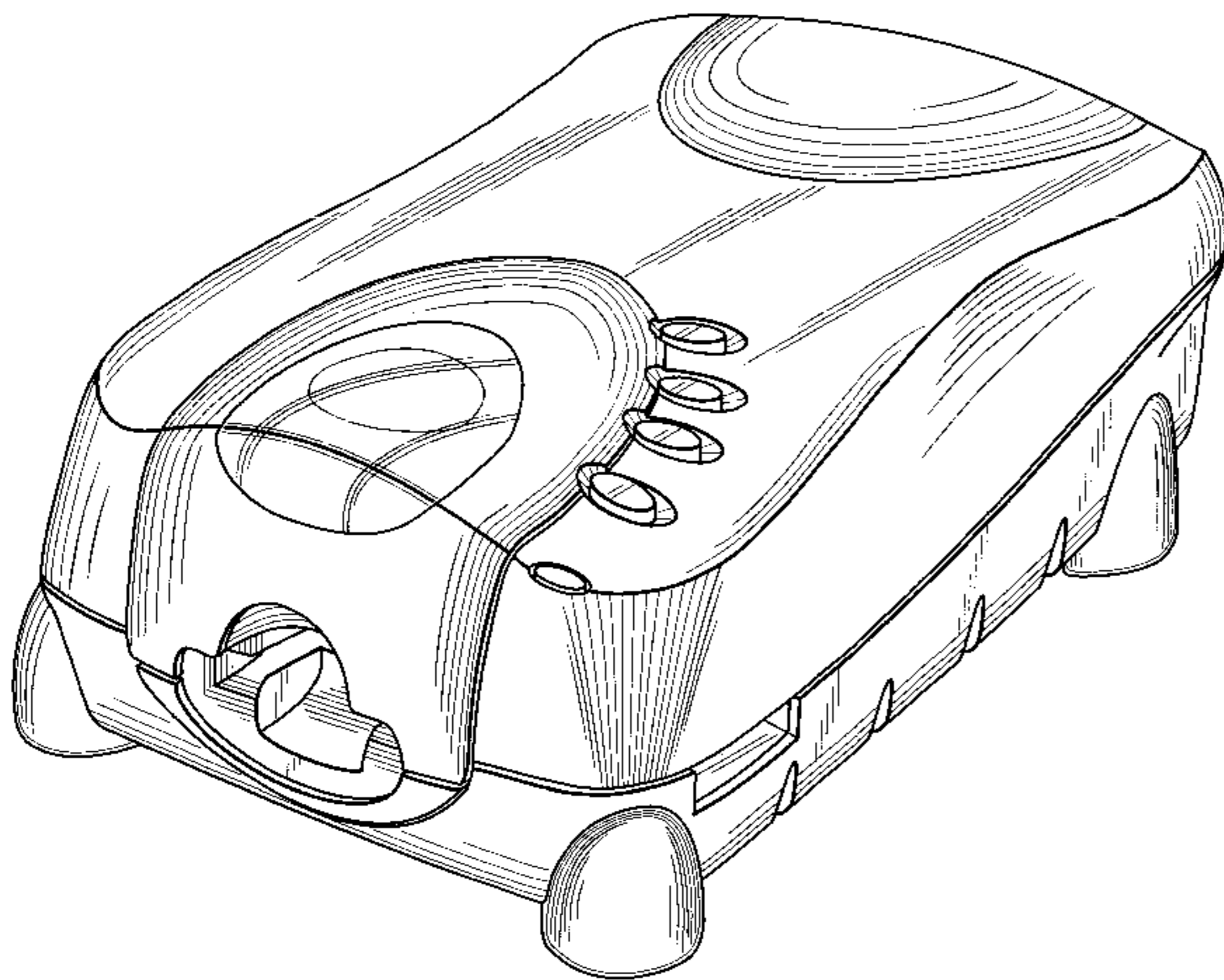
(57) **CLAIM**

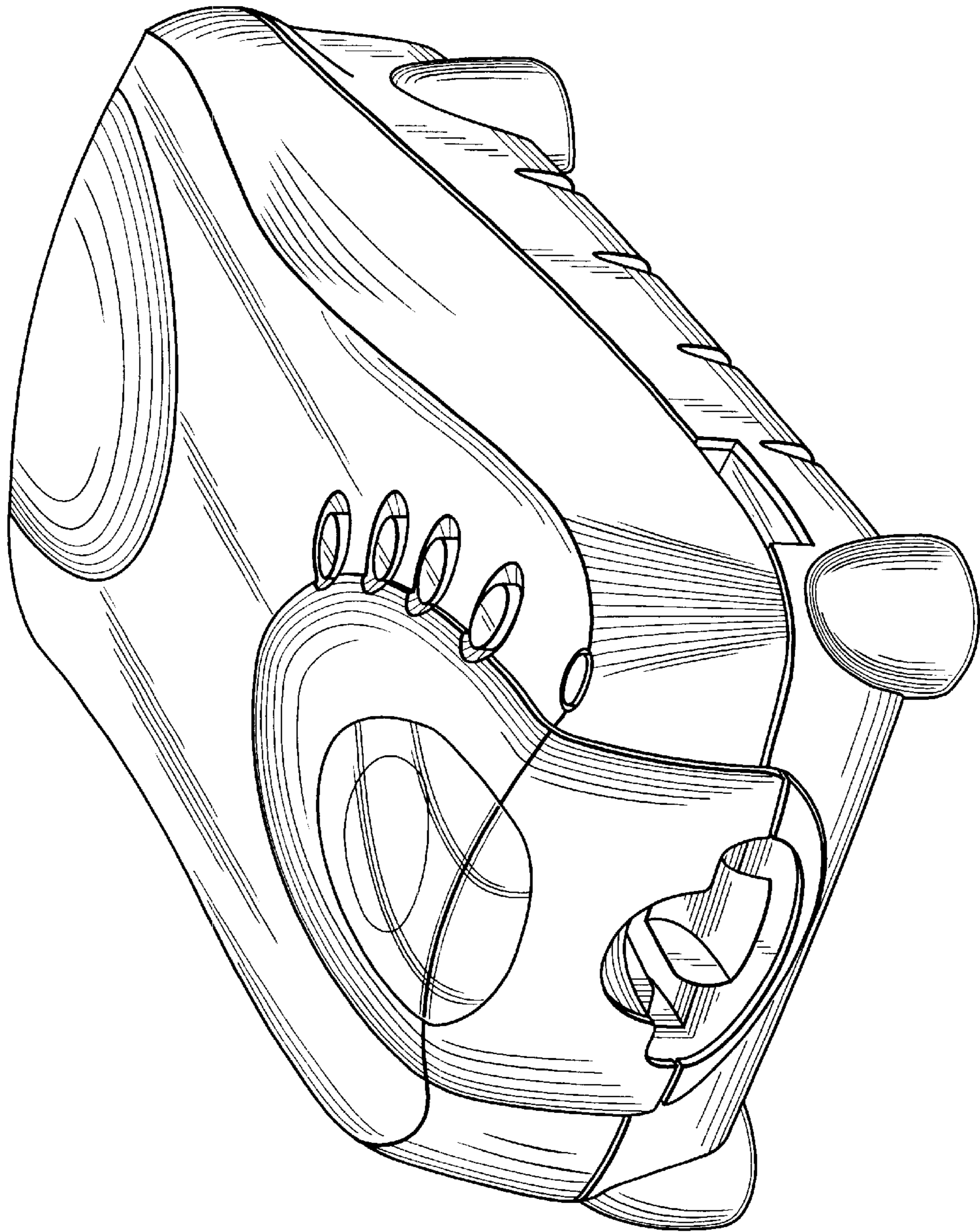
The ornamental design for a film scanner, as shown and described.

**DESCRIPTION**

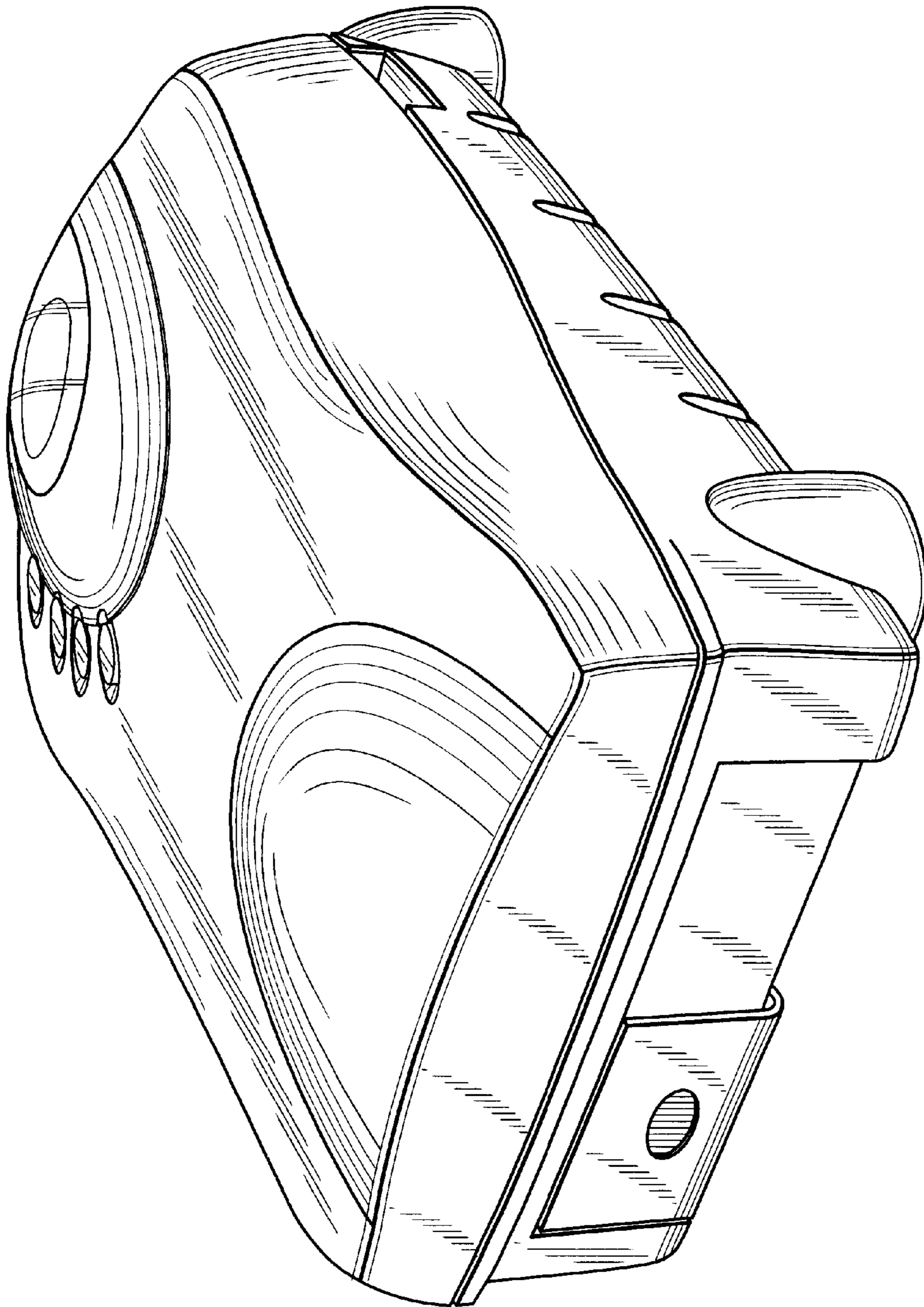
FIG. 1 is a front, top, right perspective view thereof; FIG. 2 is a back, top, left perspective view thereof; FIG. 3 is a front elevation view thereof; FIG. 4 is a back elevation view thereof; FIG. 5 is a top elevation view thereof; FIG. 6 is a right side elevation view thereof; and, FIG. 7 is a left side elevation view thereof.

**1 Claim, 6 Drawing Sheets**



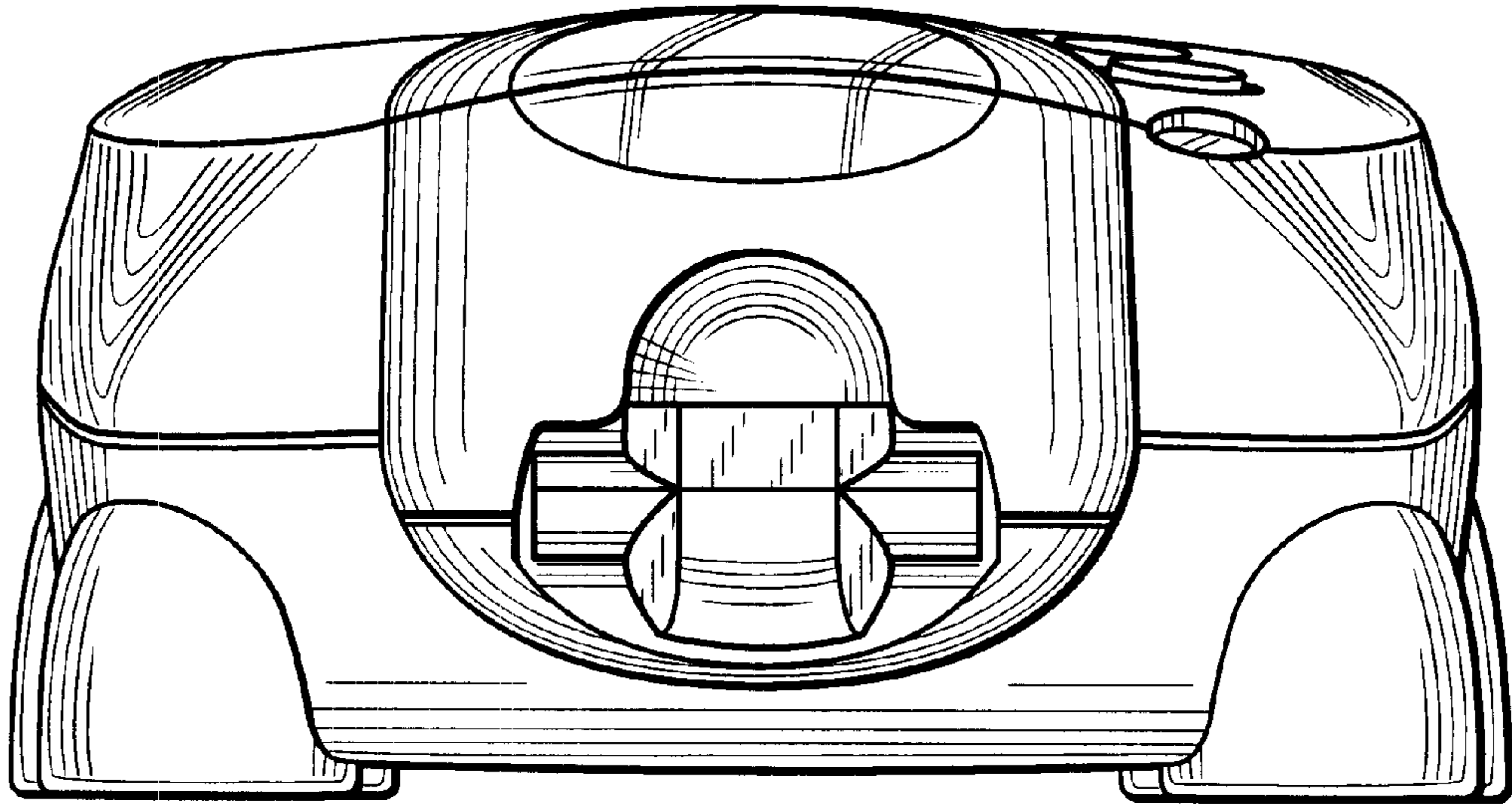


**FIG. 1**

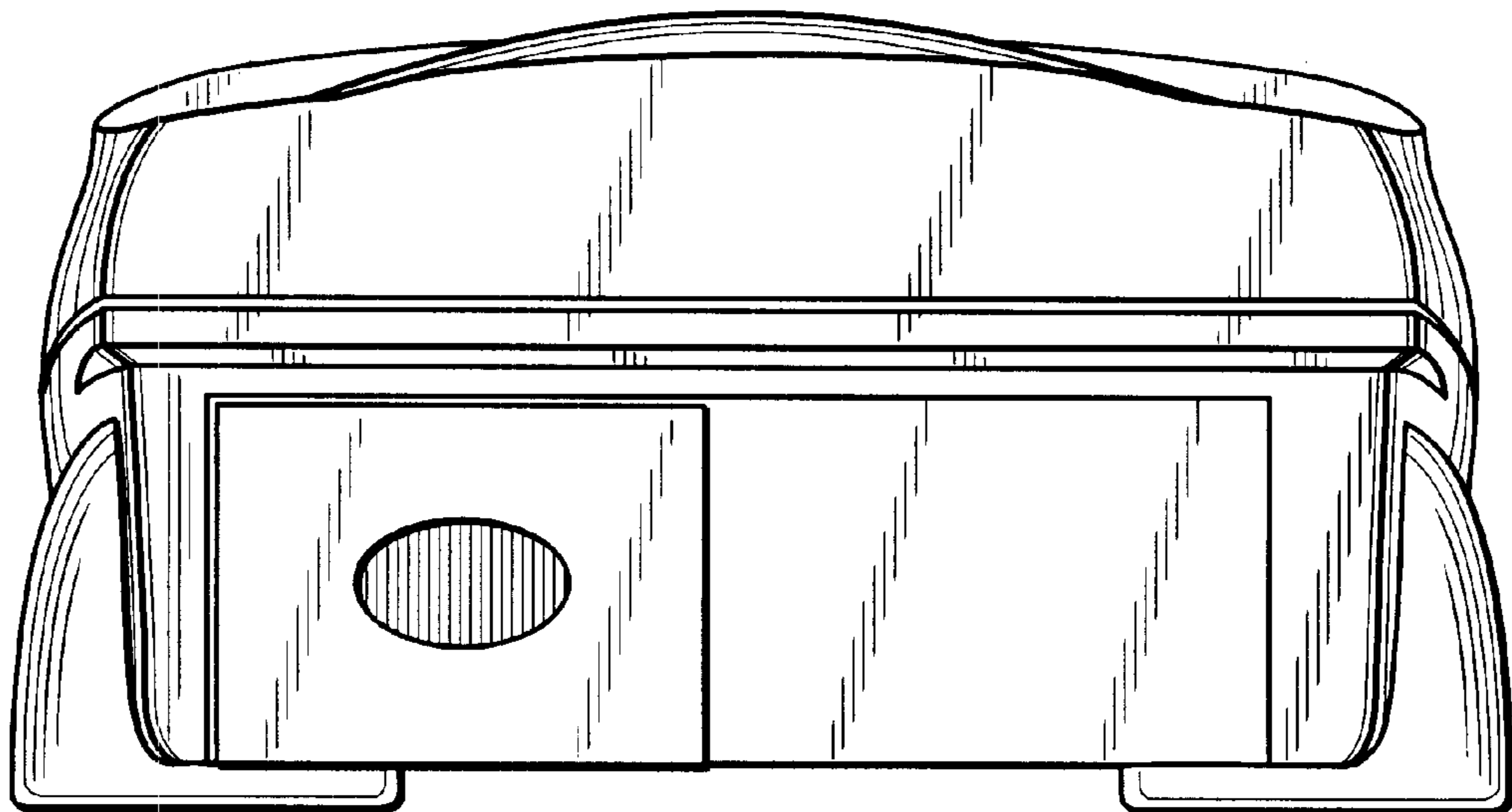


**FIG. 2**

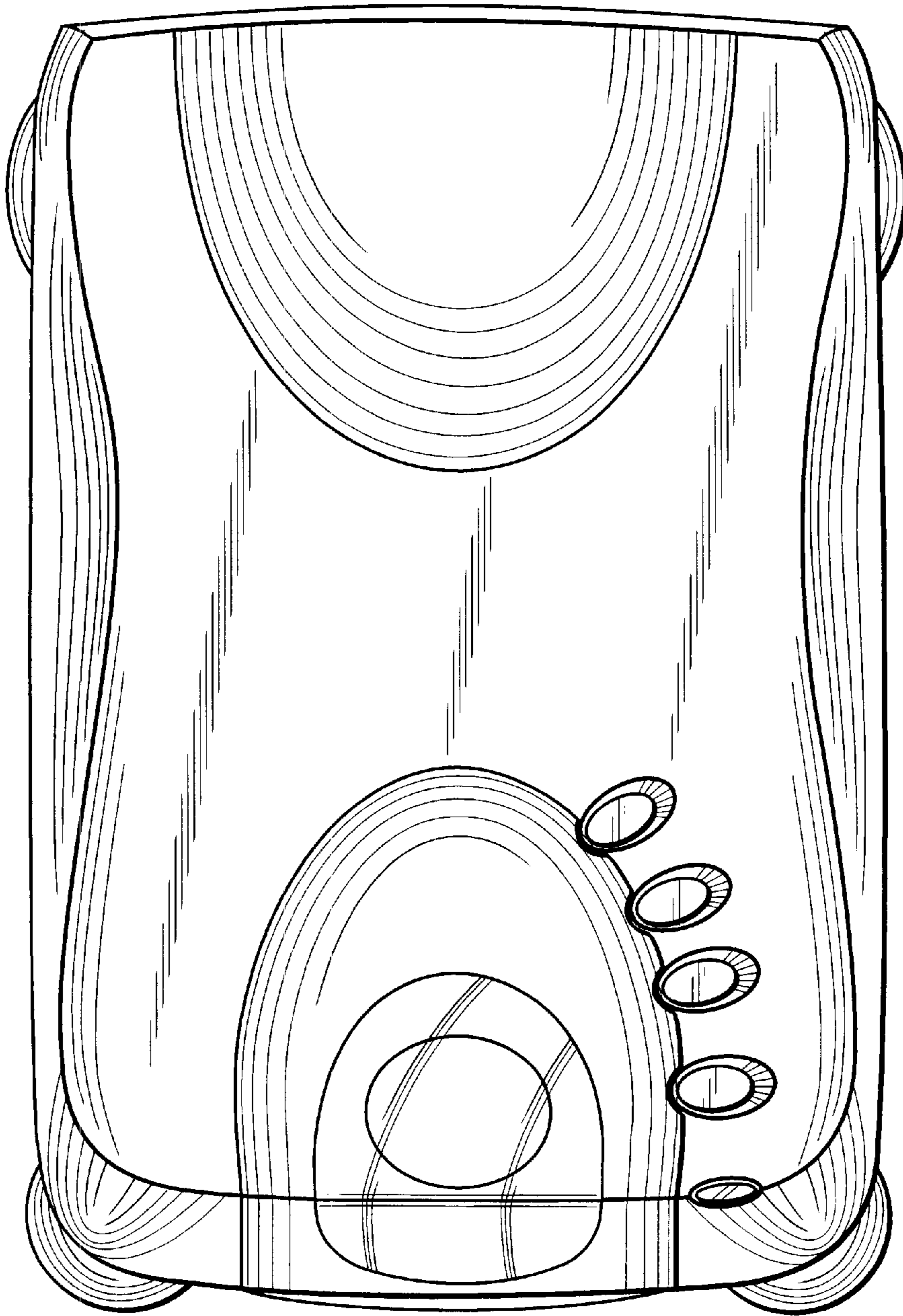




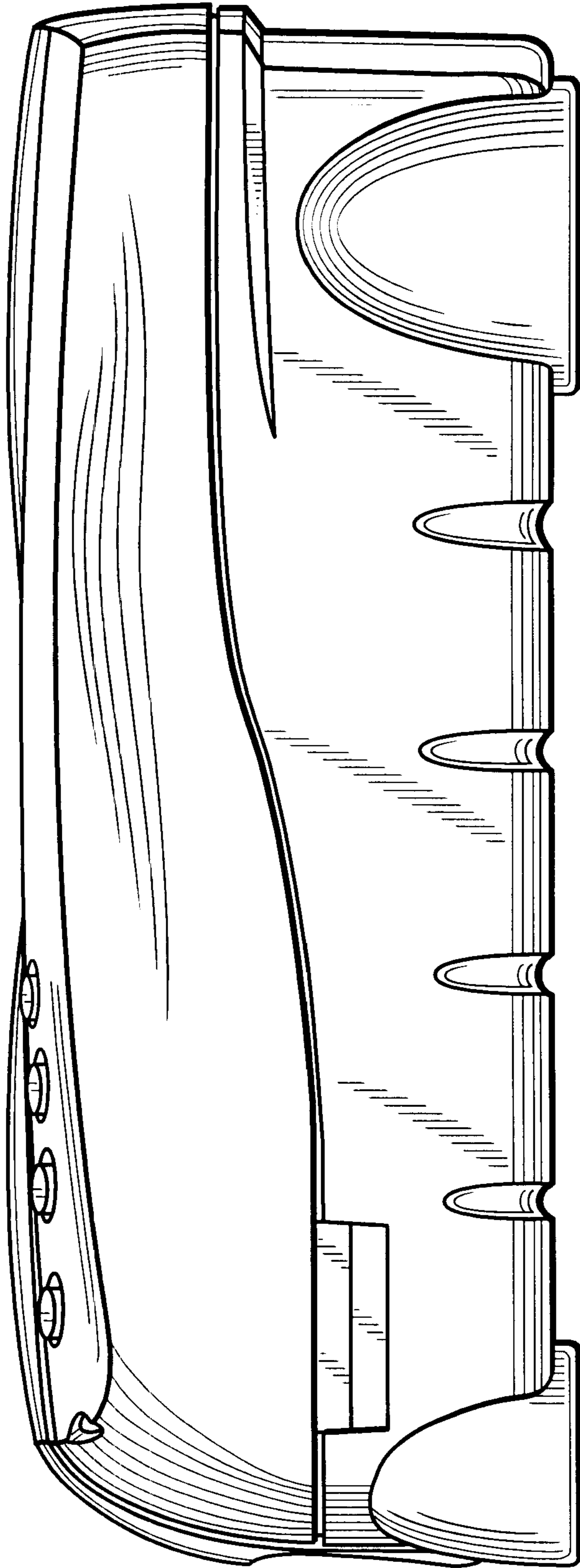
**FIG. 3**



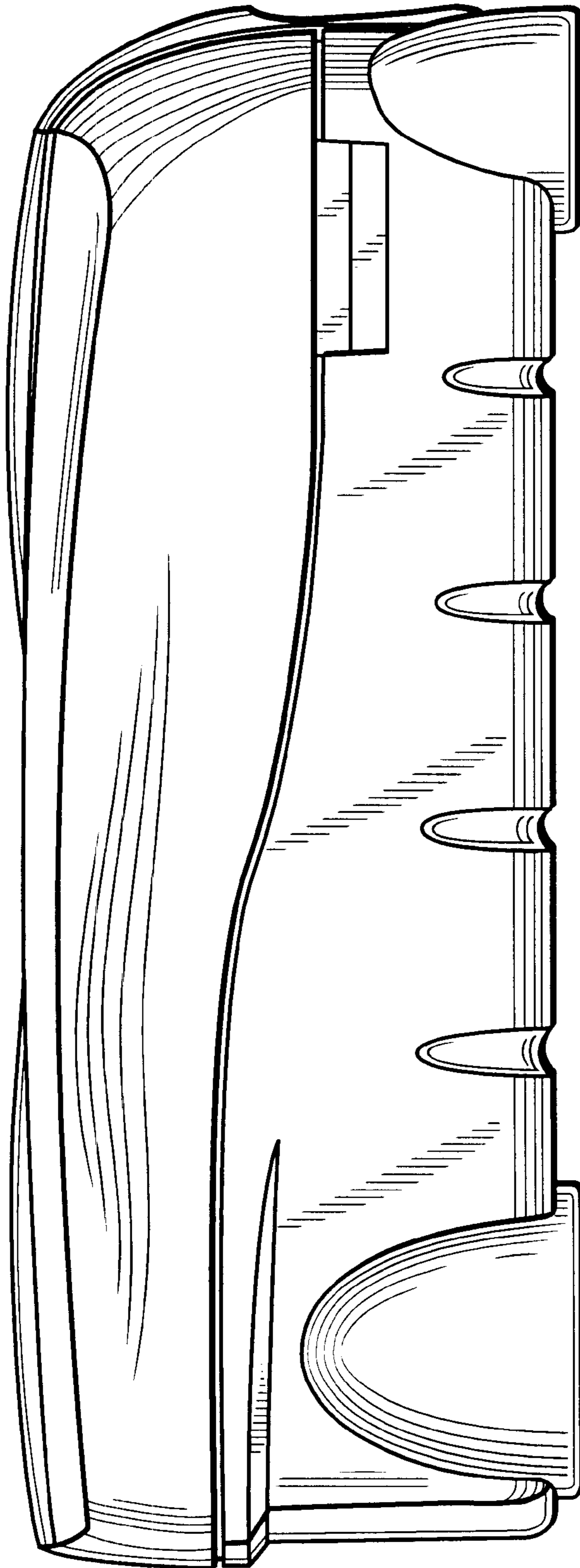
**FIG. 4**



**FIG. 5**



**FIG. 6**



**FIG. 7**