



US00D457178S

(12) **United States Design Patent**
Knoblich et al.

(10) **Patent No.:** **US D457,178 S**

(45) **Date of Patent:** **** May 14, 2002**

(54) **STEREO MICROSCOPE**

D400,548 S * 11/1998 Komatsuzaki D16/131
D440,996 S * 4/2001 Takanashi D16/131

(75) Inventors: **Johannes Knoblich; Thomas Serfling,**
both of Jena; **Sven Weihreter,**
Nuremberg, all of (DE)

* cited by examiner

Primary Examiner—Paula A. Mortimer
(74) *Attorney, Agent, or Firm*—Reed Smith LLP

(73) Assignee: **Carl Zeiss Jena GmbH, Jena (DE)**

(**) Term: **14 Years**

(57) **CLAIM**

(21) Appl. No.: **29/143,363**

We claim the ornamental design of a stereo microscope, as shown and described.

(22) Filed: **Jun. 12, 2001**

DESCRIPTION

(51) **LOC (7) Cl.** **16-06**

(52) **U.S. Cl.** **D16/131**

(58) **Field of Search** D16/130, 131;
359/368, 376, 377, 375, 378, 387, 382,
383, 385

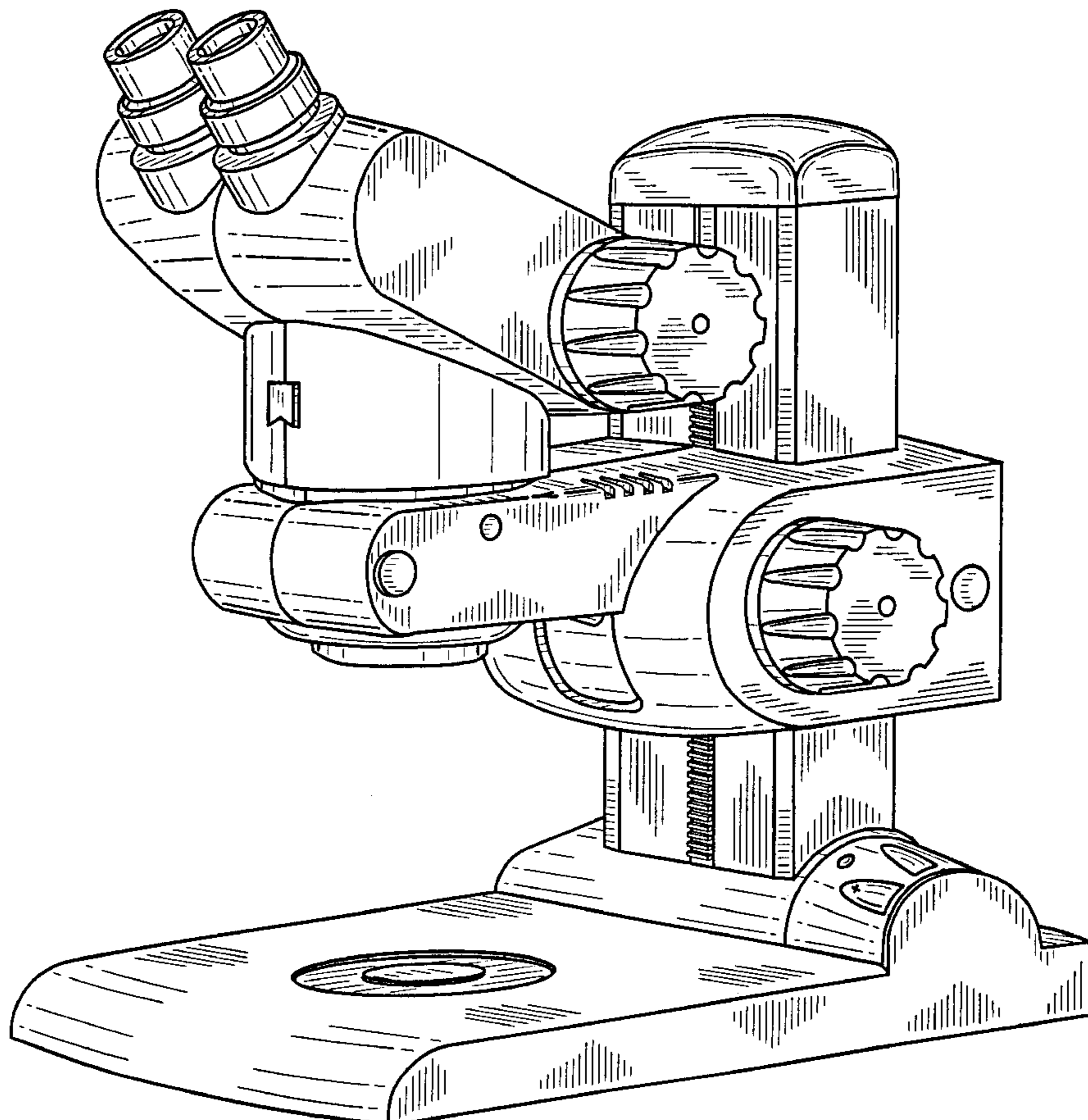
FIG. 1 is an oblique pictorial view of a stereo microscope in accordance with the invention;
FIG. 2 is a side view of a stereo microscope in accordance with the invention;
FIG. 3 a front view of a stereo microscope in accordance with the invention;
FIG. 4 is a rear view of a stereo microscope in accordance with the invention;
FIG. 5 is a bottom view of a stereo microscope in accordance with the invention;
FIG. 6 is a pictorial side oblique view of a stereo microscope in accordance with the invention; and,
FIG. 7 is a side view of a pressure key control portion of a stereo microscope in accordance with the invention.

(56) **References Cited**

U.S. PATENT DOCUMENTS

- D182,097 S * 2/1958 Armbruster D16/131
- 2,967,456 A * 1/1961 Maier 359/376 X
- 3,064,529 A * 11/1962 Straat 359/381 X
- 4,621,531 A * 11/1986 Nakamura et al. 359/368
- D345,747 S * 4/1994 Höbl D16/131
- D354,761 S * 1/1995 Komatsuzaki et al. D16/131
- D367,869 S * 3/1996 Hoffman-Igi et al. D16/131

1 Claim, 7 Drawing Sheets



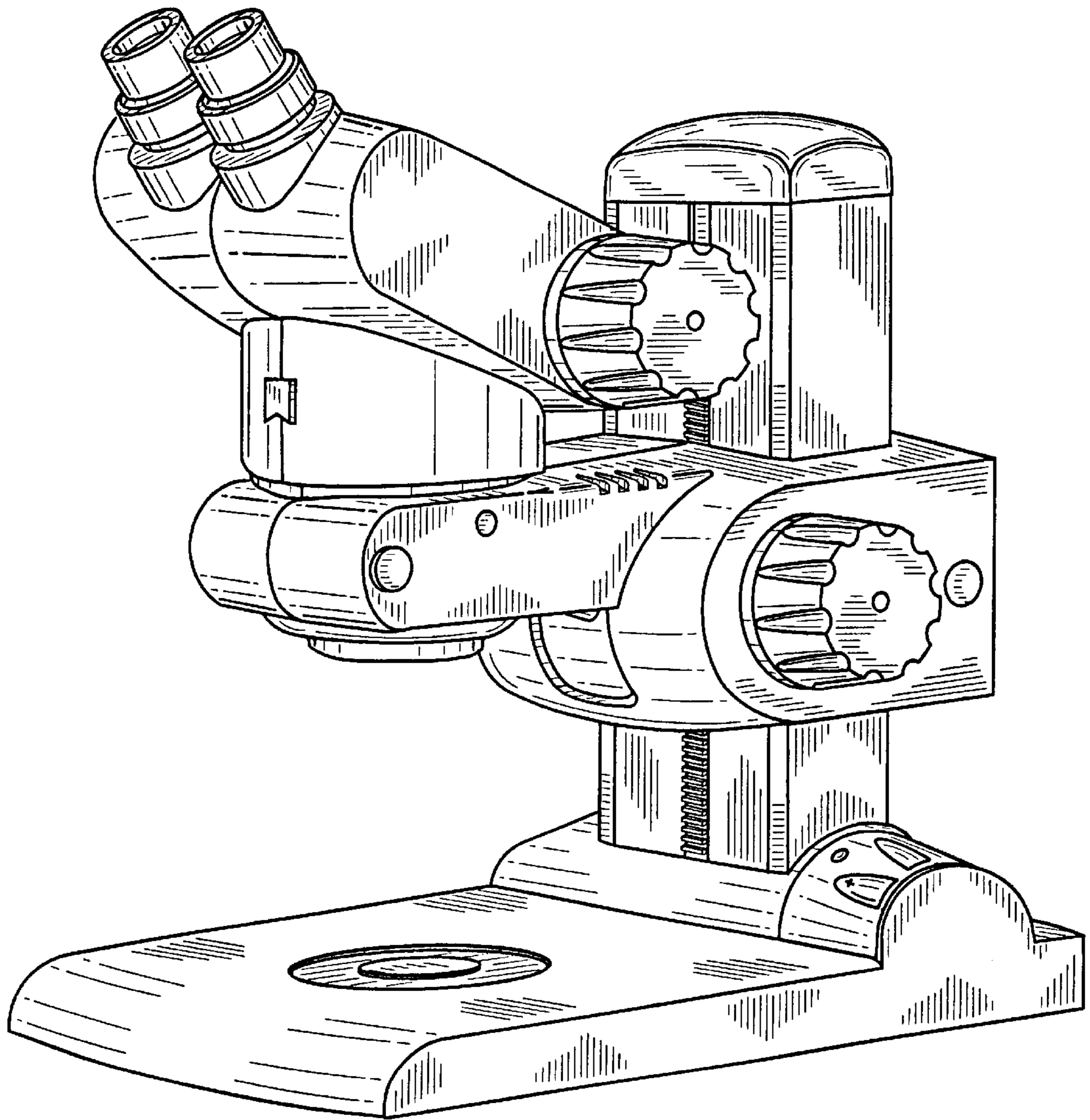


FIG. 1

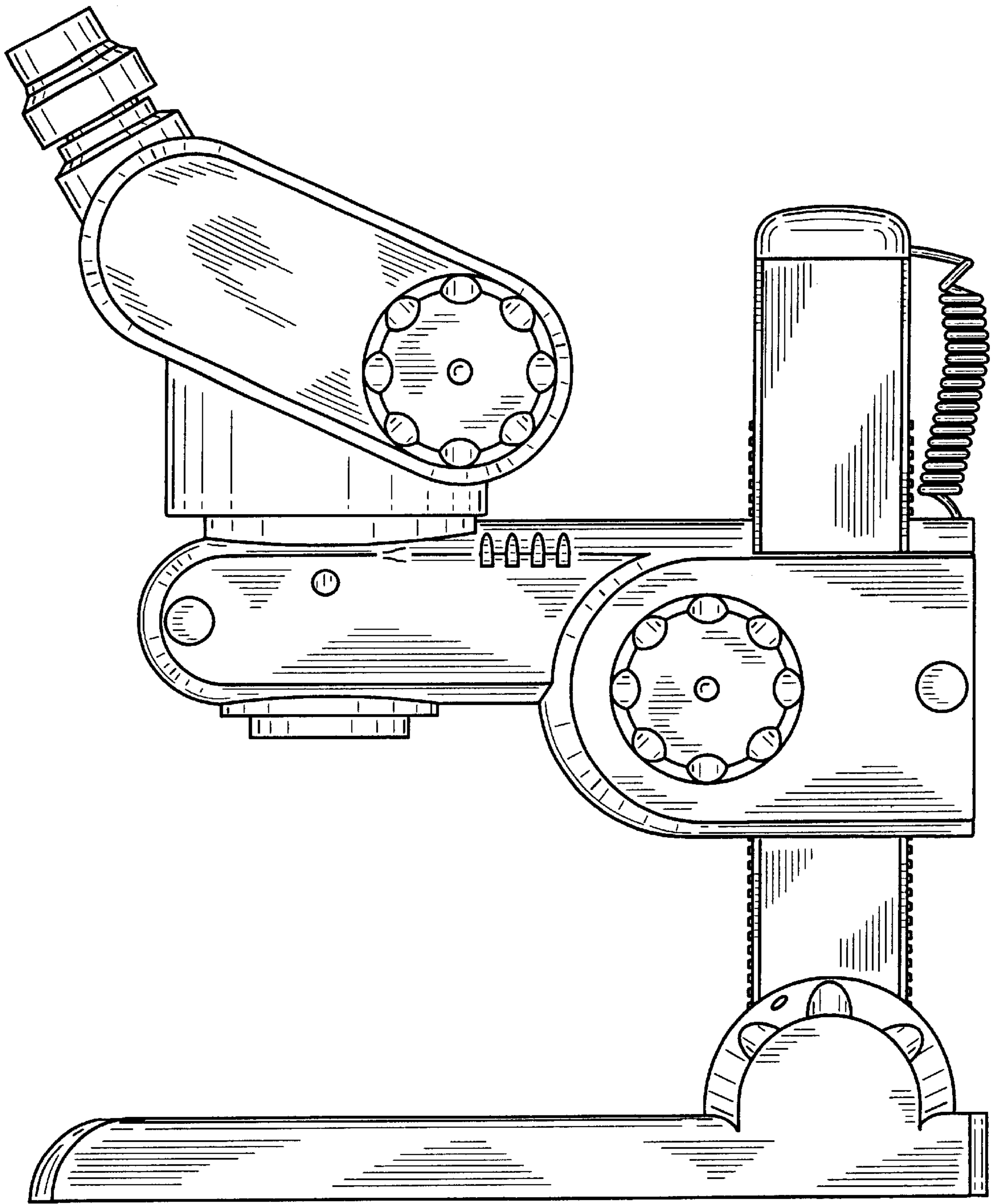


FIG. 2

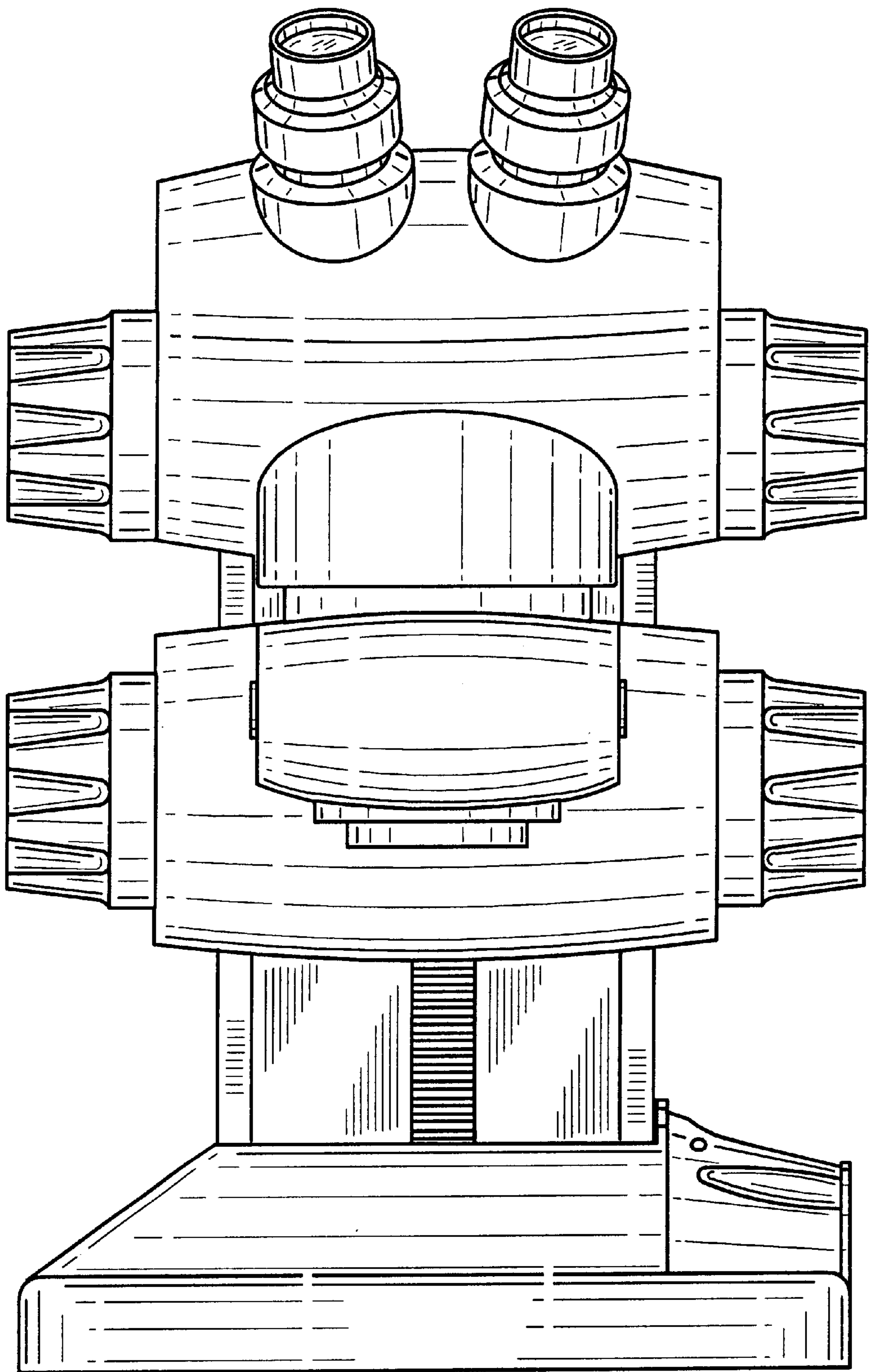


FIG. 3

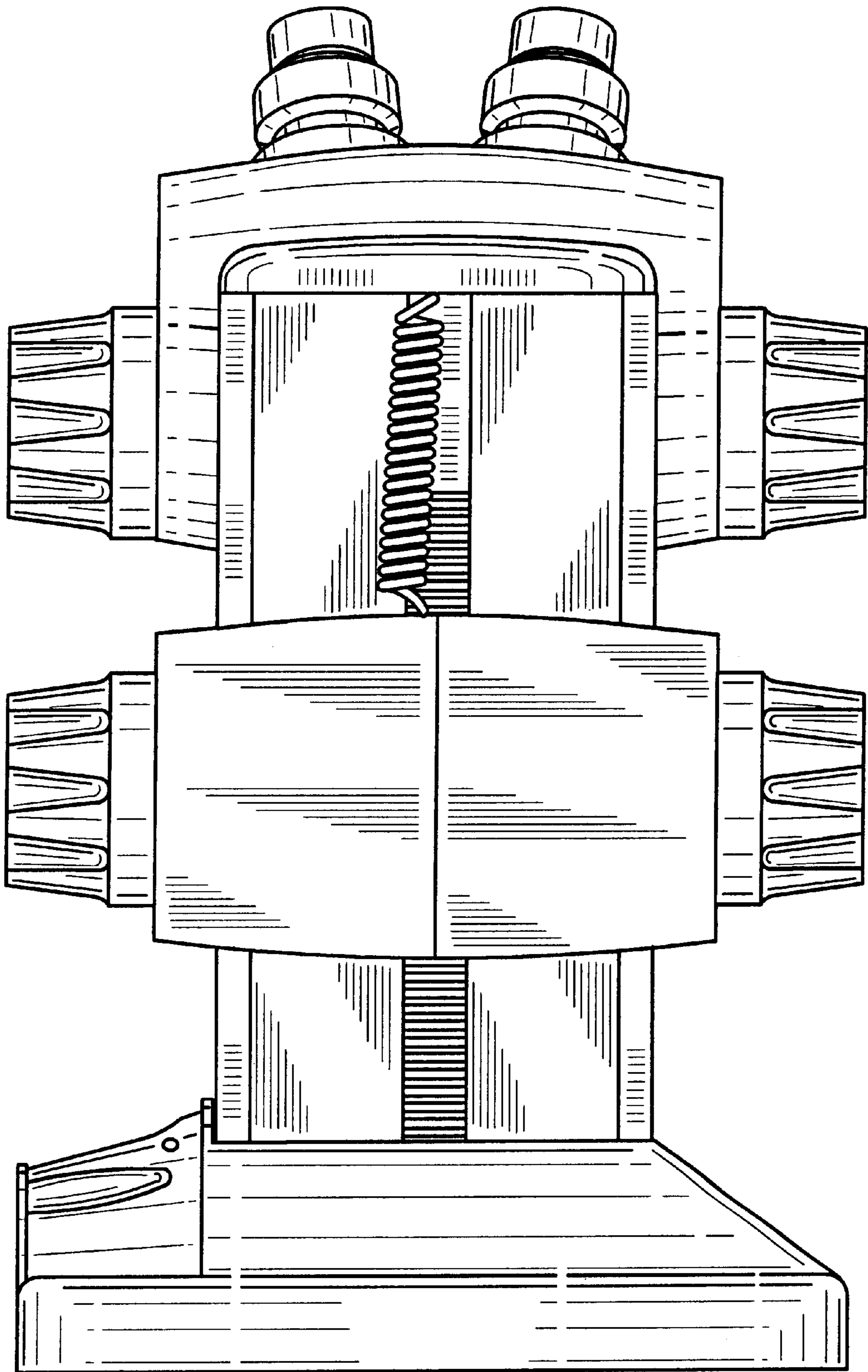


FIG. 4

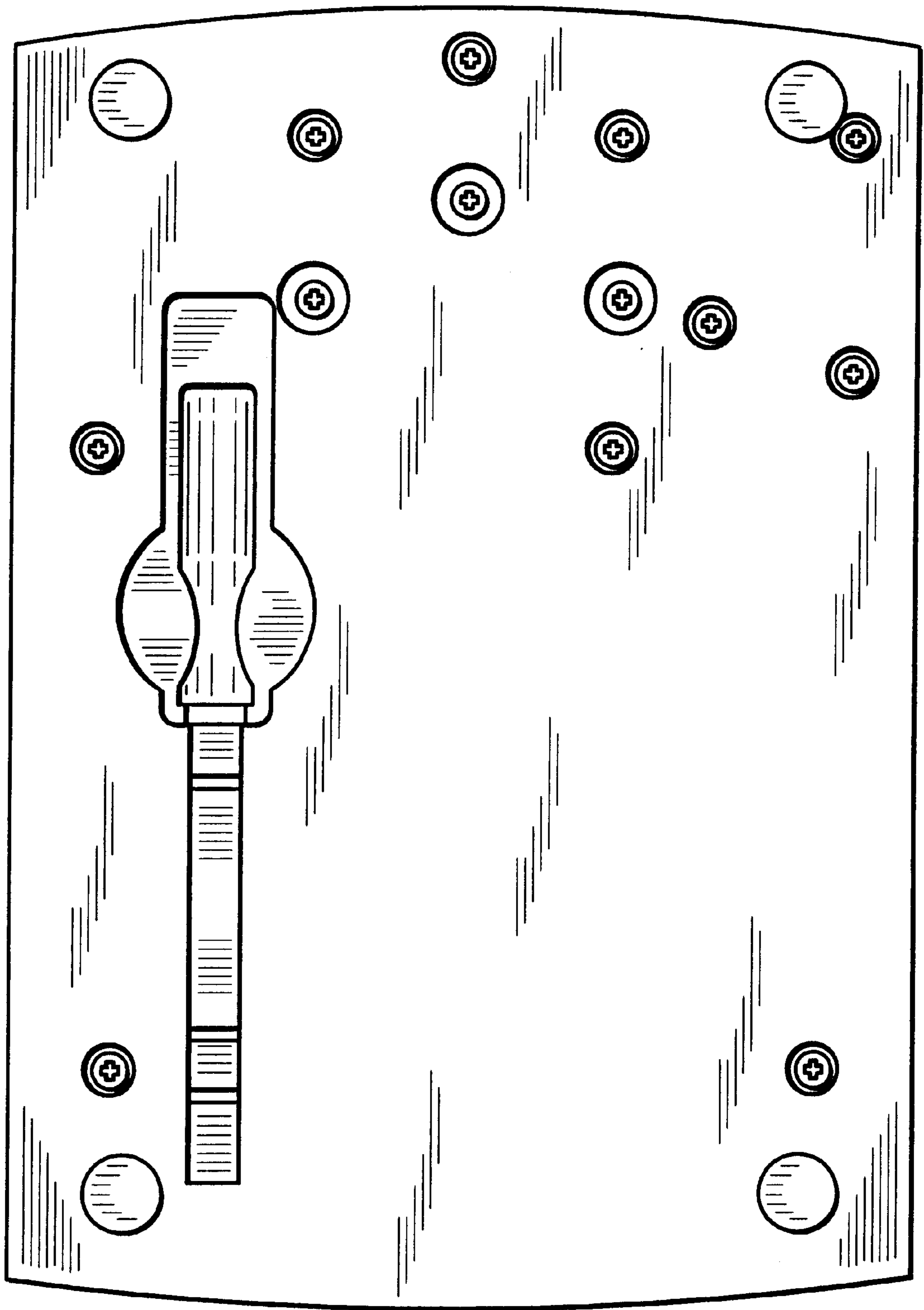


FIG. 5

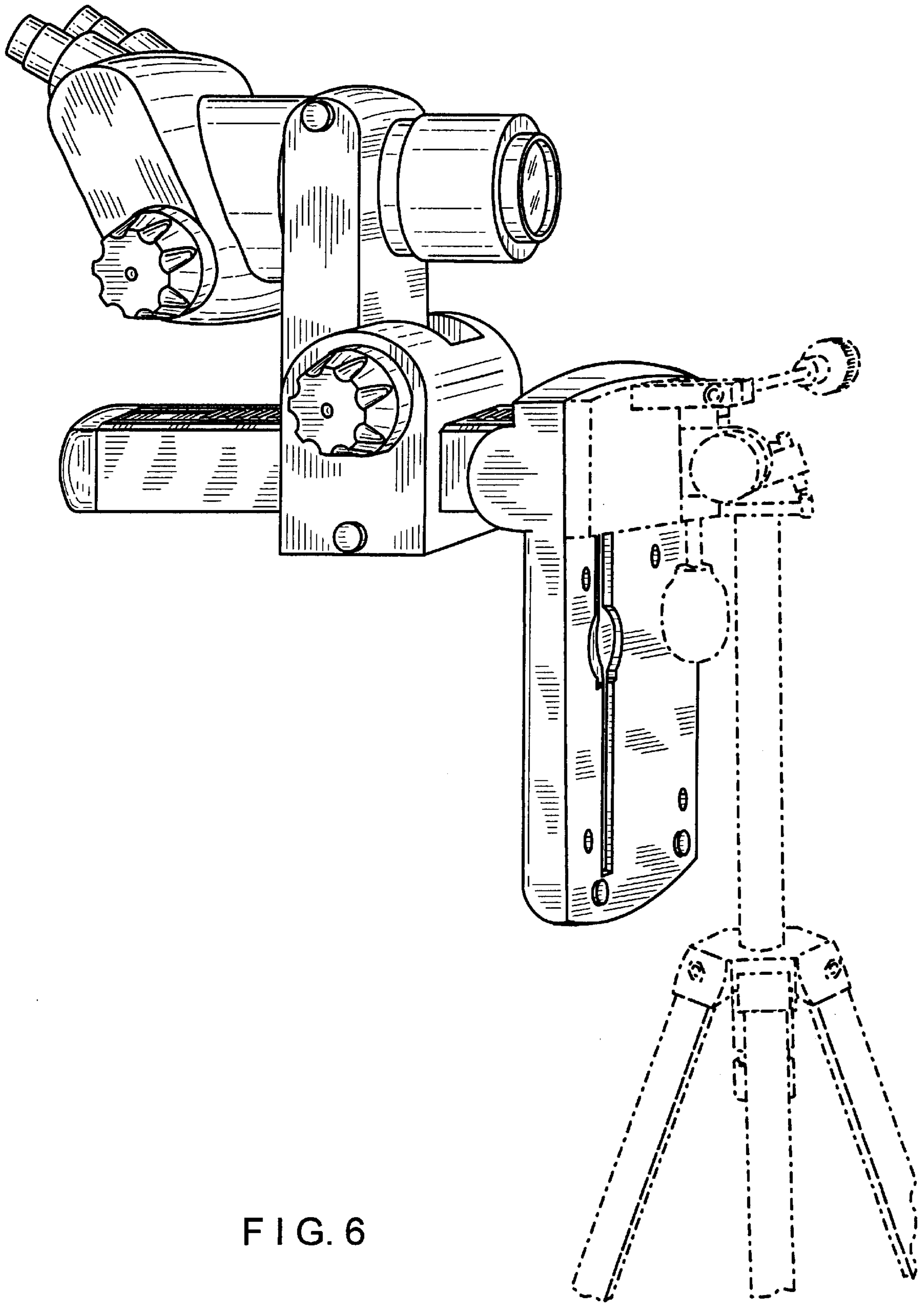


FIG. 6

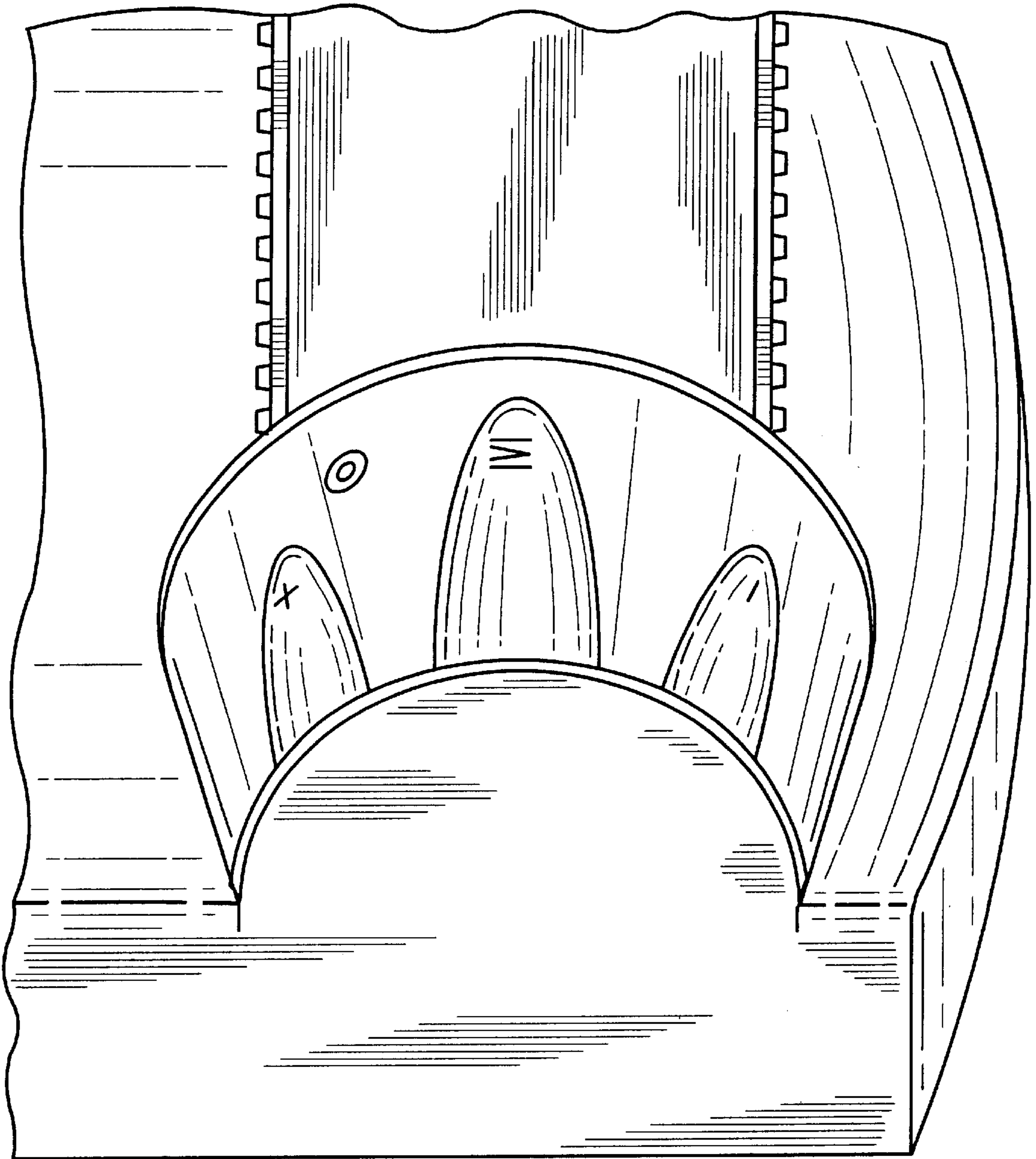


FIG. 7