



US00D457177S

(12) **United States Design Patent**
Hsu

(10) **Patent No.:** **US D457,177 S**

(45) **Date of Patent:** **** May 14, 2002**

(54) **SEAL MACHINE**

6,185,915 B1 * 2/2001 Chang 53/568

(76) Inventor: **Che-Ting Hsu**, P.O. Box 26-757, Taipei (TW), 106

* cited by examiner

(**) Term: **14 Years**

Primary Examiner—Antoine Duval Davis
(74) *Attorney, Agent, or Firm*—Rosenberg, Klein & Lee

(21) Appl. No.: **29/144,369**

(57) **CLAIM**

(22) Filed: **Jun. 29, 2001**

The ornamental design for a “seal machine”, as shown and described.

(51) **LOC (7) Cl.** **15-09**

DESCRIPTION

(52) **U.S. Cl.** **D15/146**

(58) **Field of Search** D15/145, 146;
53/568, 551, 374.8, 552, 133.3, 133.8,
557

FIG. 1 is the perspective view of a “seal machine” showing my new design;

FIG. 2 is the front view thereof;

FIG. 3 is the rear view thereof;

FIG. 4 is the left side view thereof;

FIG. 5 is the right side view thereof;

FIG. 6 is the top view thereof; and,

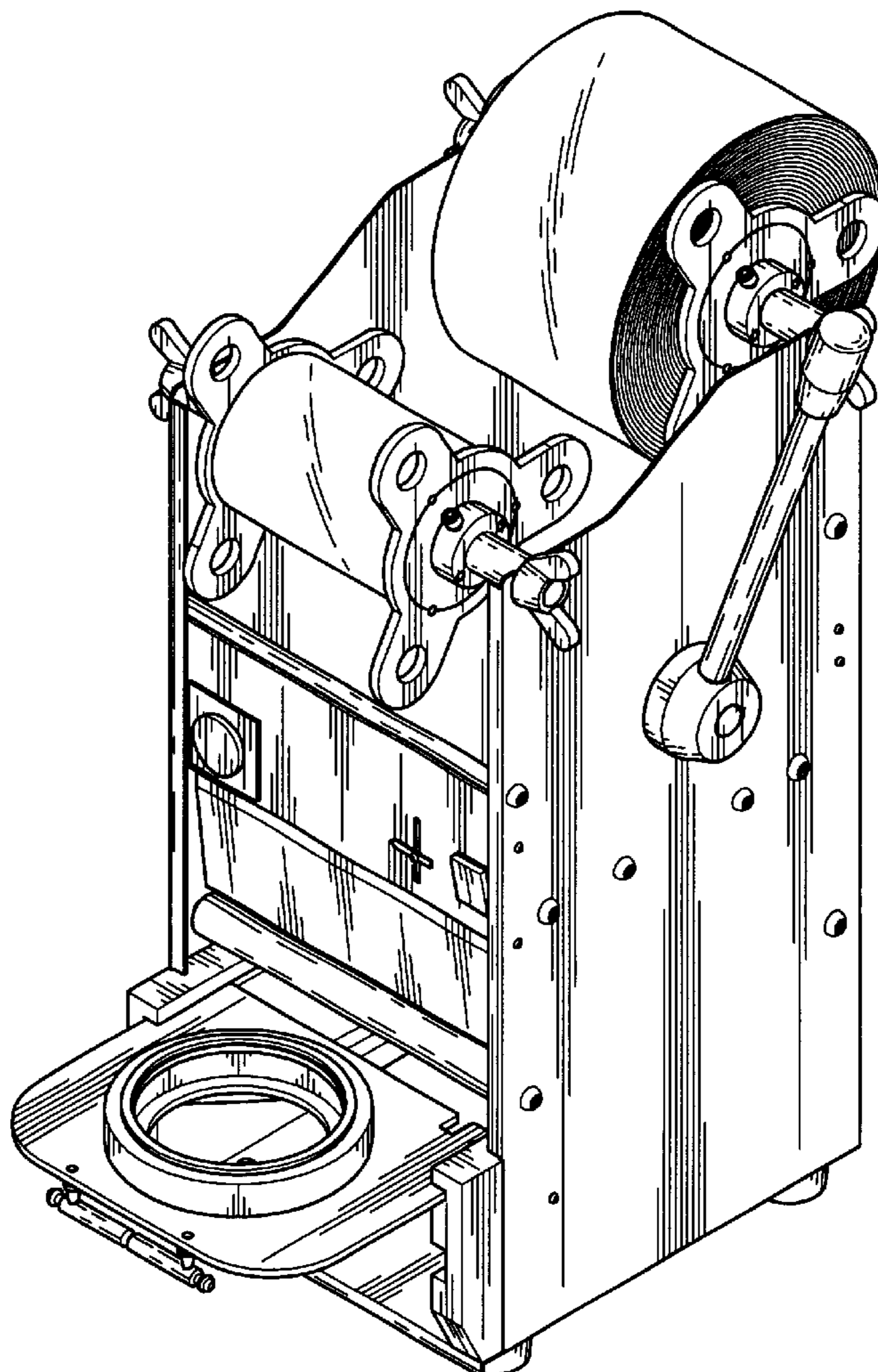
FIG. 7 is the bottom view thereof.

(56) **References Cited**

U.S. PATENT DOCUMENTS

- 5,374,326 A * 12/1994 Marchetti 156/468
- 5,682,729 A * 11/1997 Buchko 53/453
- 5,725,721 A * 3/1998 Yeh 156/468
- 6,141,945 A * 11/2000 Becher 53/527

1 Claim, 7 Drawing Sheets



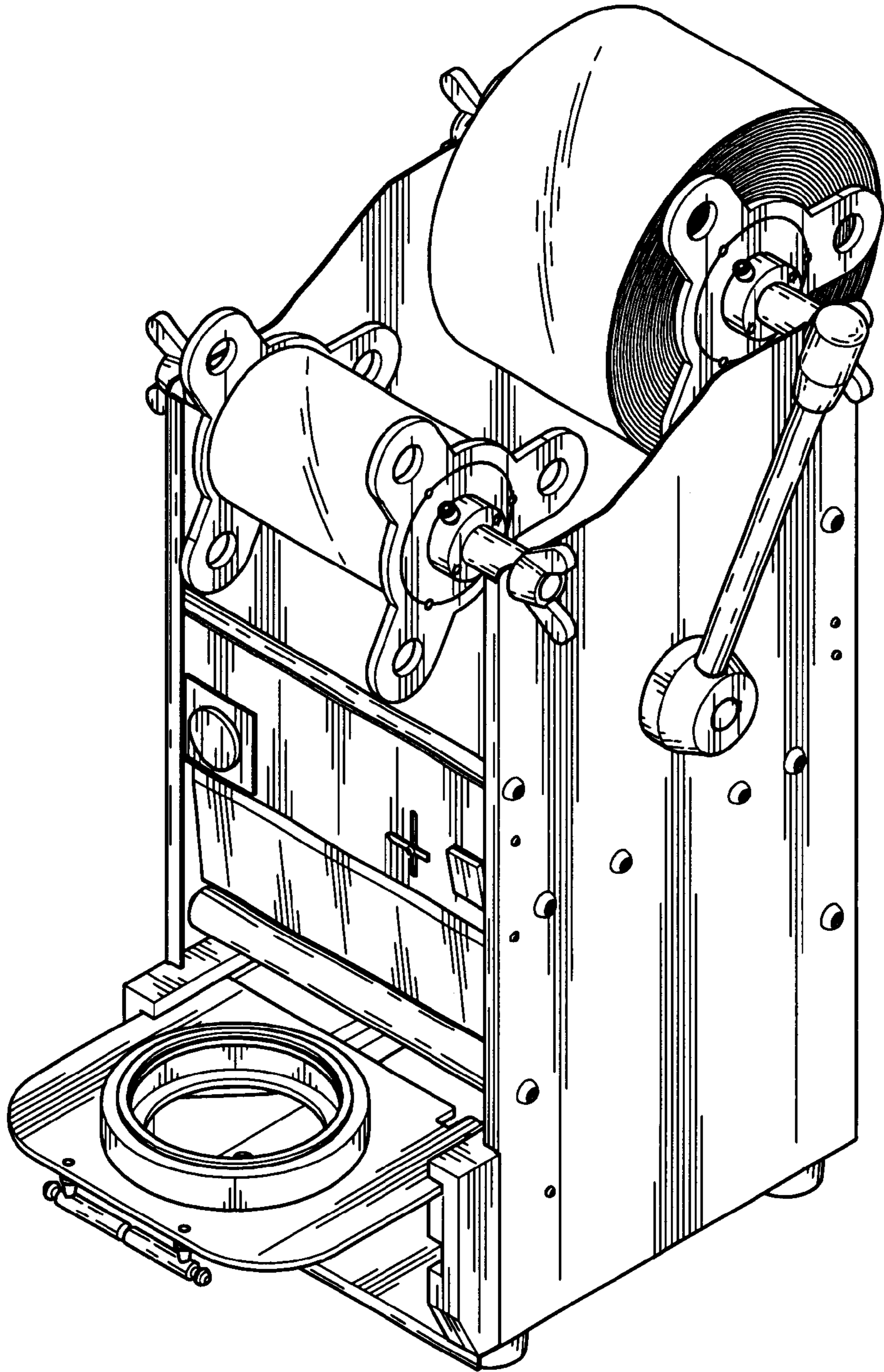


FIG. 1

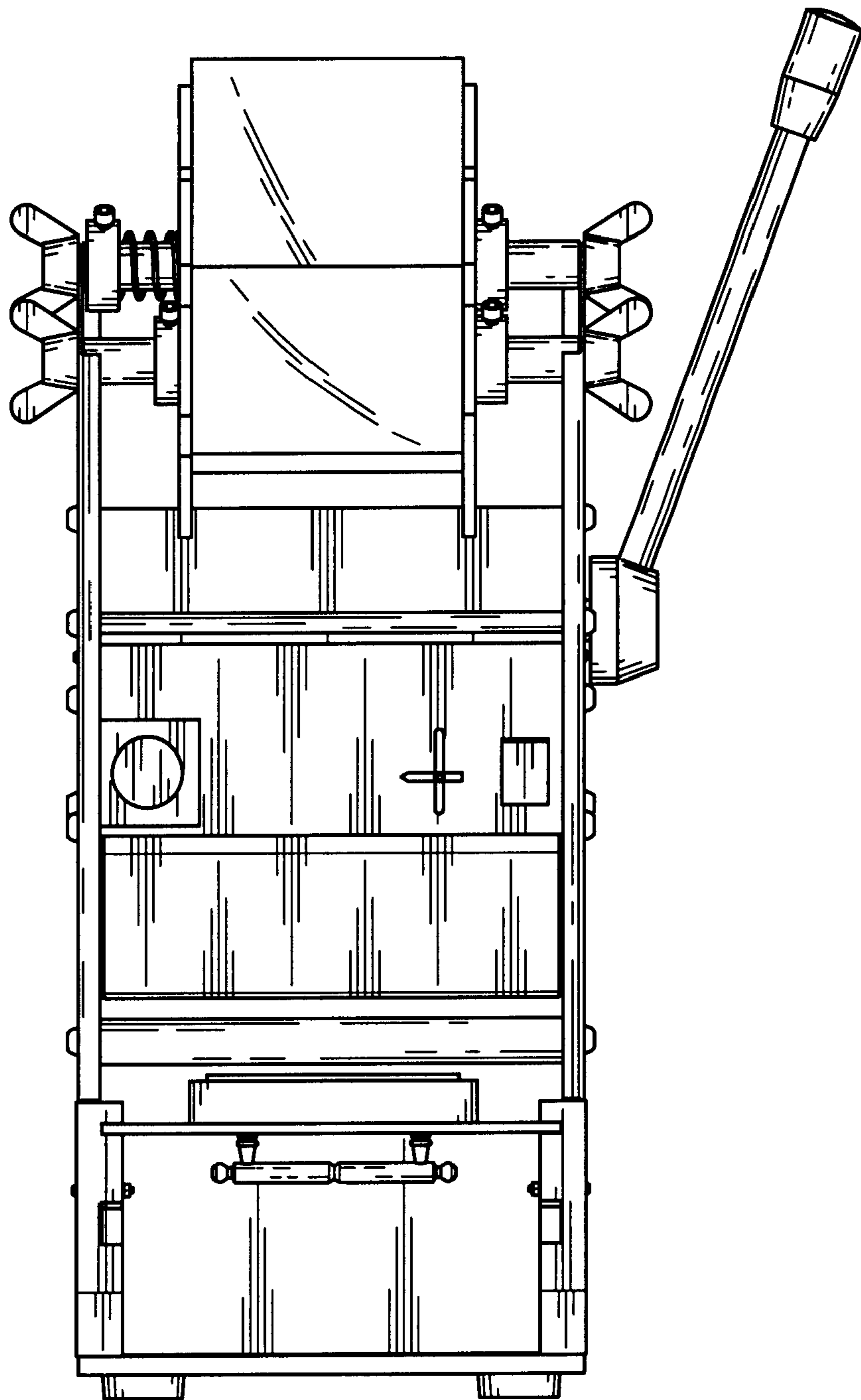


FIG. 2

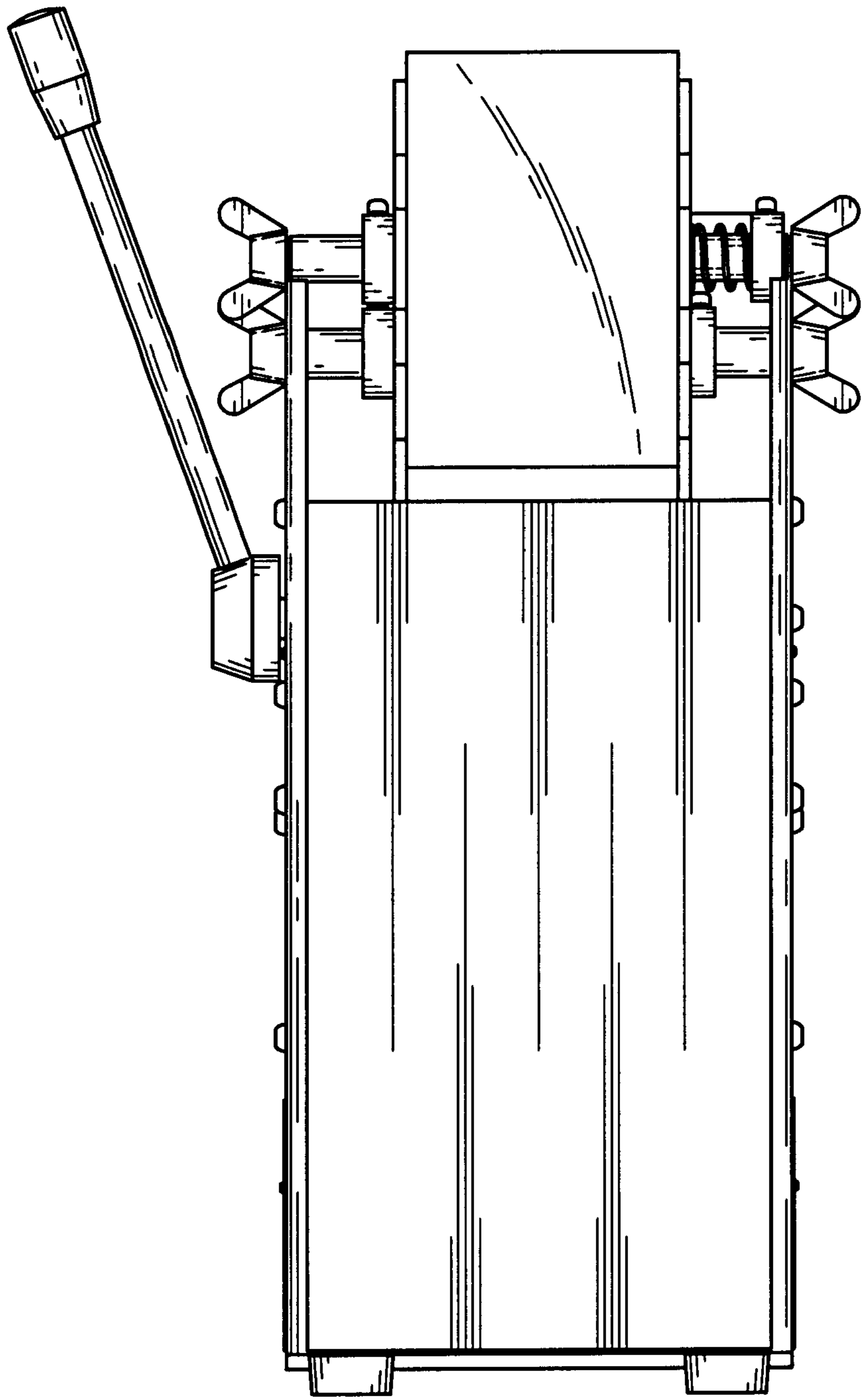


FIG. 3

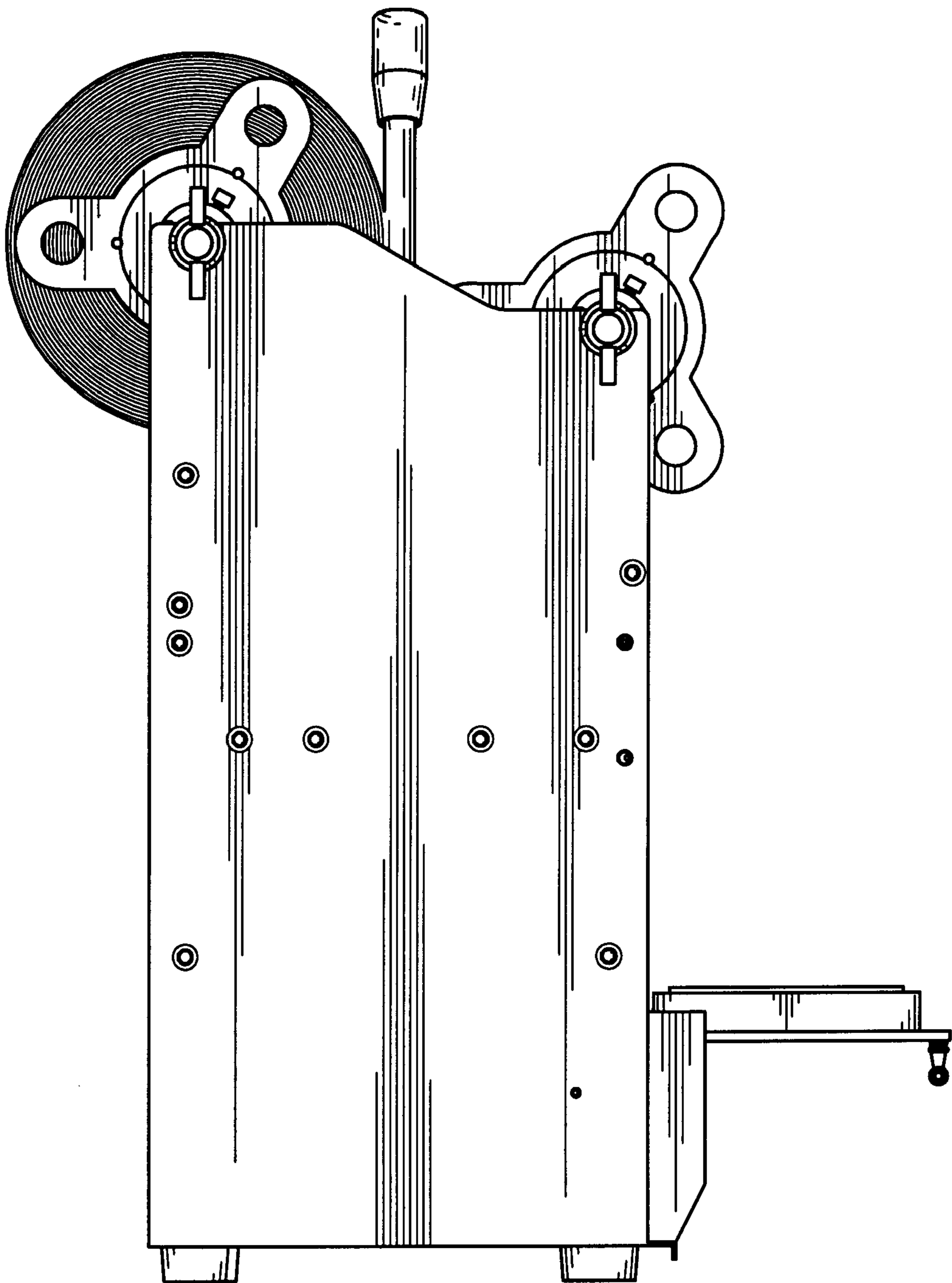


FIG. 4

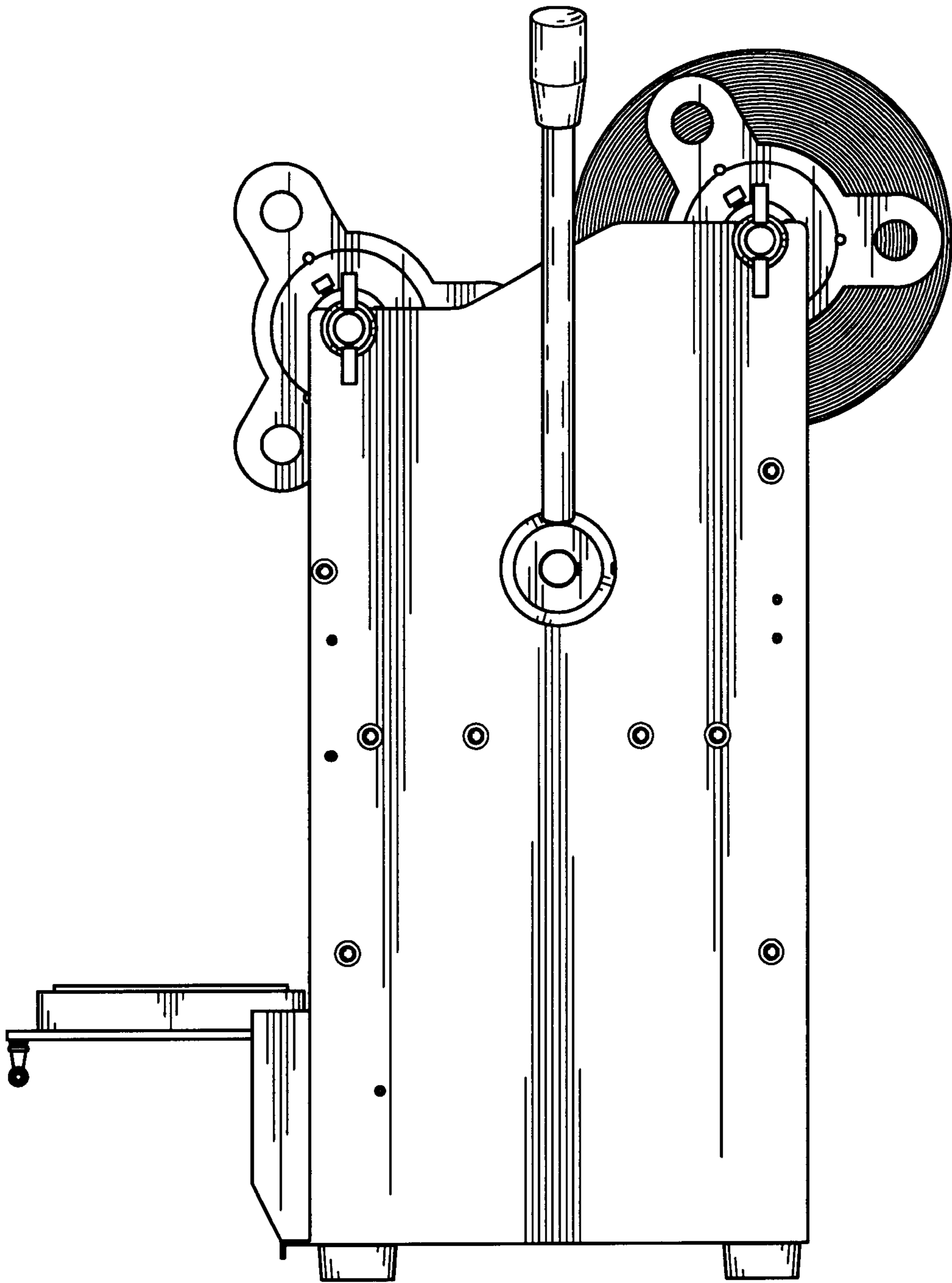


FIG. 5

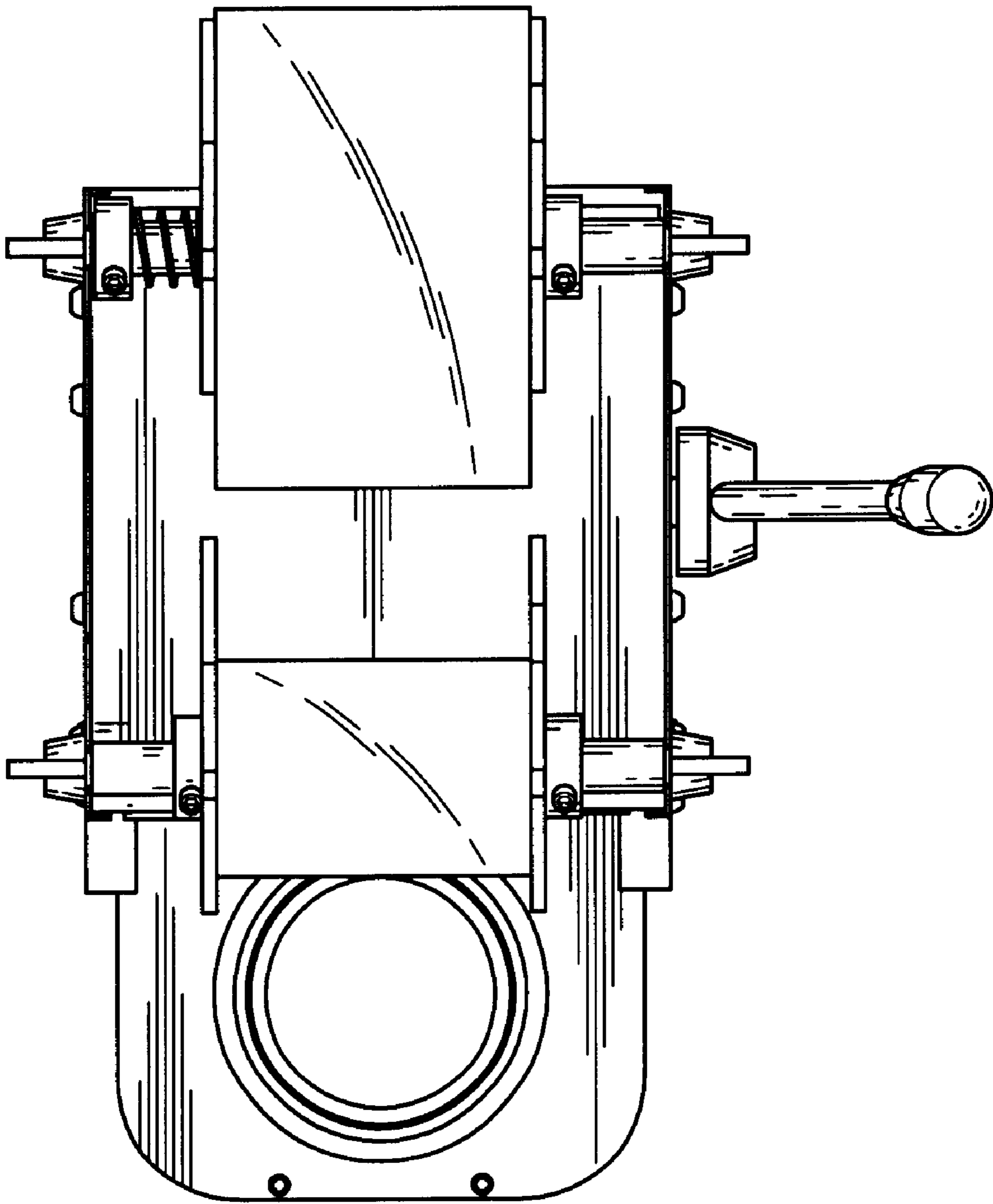


FIG. 6

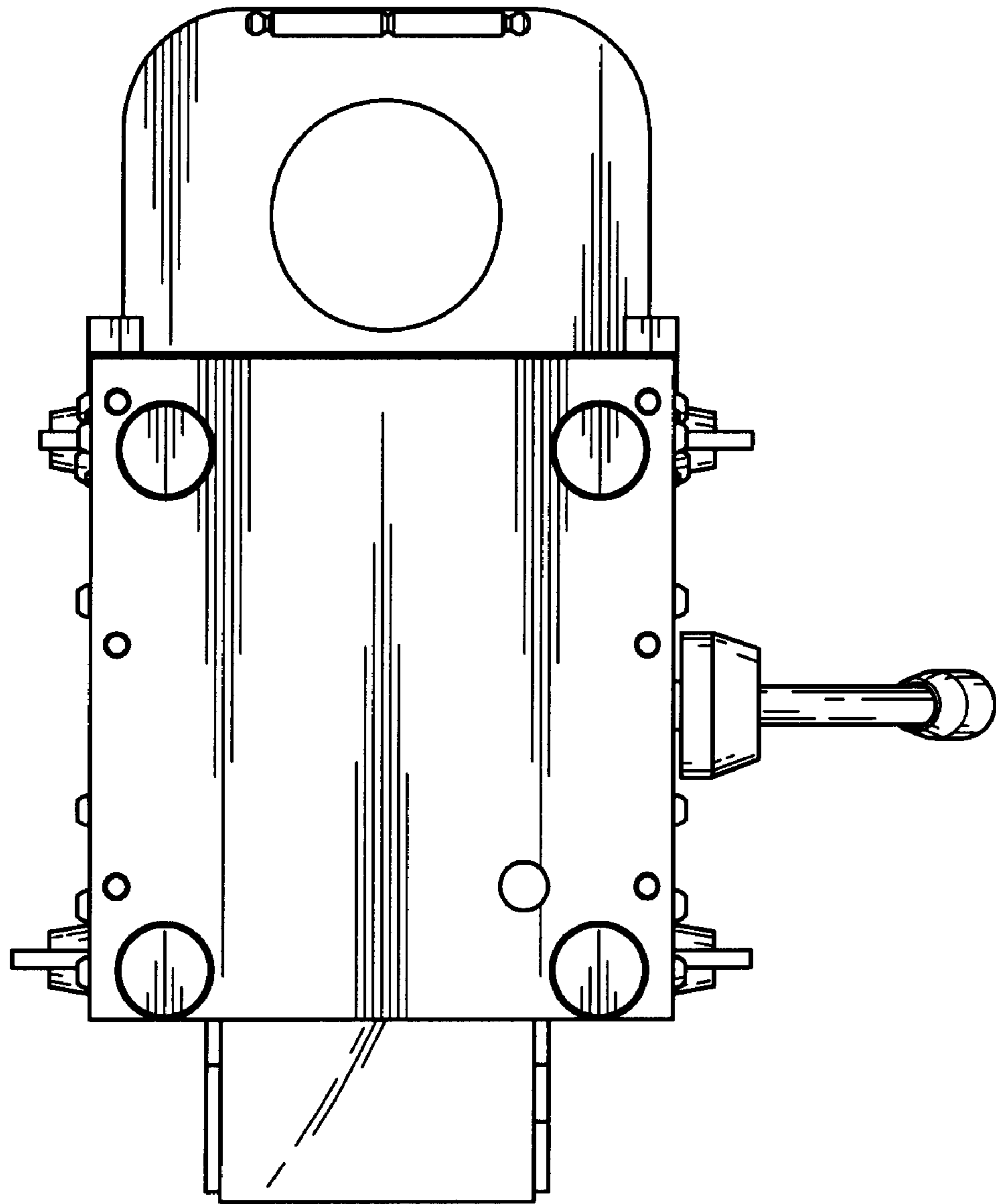


FIG. 7