



US00D457175S

(12) **United States Design Patent**  
**Goebert et al.**

(10) **Patent No.: US D457,175 S**

(45) **Date of Patent: \*\* \*May 14, 2002**

(54) **LEFT FENDER SURFACE**

(75) Inventors: **Barry Joseph Goebert**, Beaver Dam, WI (US); **Bengt Ake Nestell**, Pottstown, PA (US); **Kelly Jinine Whalen**, Dover, NJ (US)

(73) Assignee: **Deere & Company**, Moline, IL (US)

(\* ) Notice: This patent is subject to a terminal disclaimer.

(\*\*) Term: **14 Years**

(21) Appl. No.: **29/123,713**

(22) Filed: **May 24, 2000**

(51) **LOC (7) Cl. .... 15-03**

(52) **U.S. Cl. .... D15/33**

(58) **Field of Search** ..... D15/14-18, 23, D15/28; 56/13.3, 13.4, 16.1, 15.8, 15.9, 16.7, 202, 255, 294, 320.1, 320.2; 180/900, 273, 68.6, 69.21

(56) **References Cited**

**U.S. PATENT DOCUMENTS**

D209,043 S	*	10/1967	Purcell et al. ....	D15/28
D248,397 S	*	7/1978	Cognata et al. ....	D15/15
4,620,575 A	*	11/1986	Cuba et al. ....	180/307
D297,538 S	*	9/1988	Ogasawara et al. ....	D15/15
D310,374 S		9/1990	Westimayer et al. ....	D15/15
D327,484 S		6/1992	Flenniken et al. ....	D15/17
D329,242 S		9/1992	Holm et al. ....	D15/17
D344,959 S		3/1994	Patterson et al. ....	D15/17
D344,960 S		3/1994	Patterson et al. ....	D15/17

D354,756 S	*	1/1995	Hinklin .....	D15/15
D365,573 S		12/1995	Westimayer et al. ....	D15/17
D365,578 S		12/1995	Westimayer et al. ....	D15/31
D371,372 S		7/1996	Westimayer et al. ....	D15/31
D381,341 S		7/1997	Goebert et al. ....	D15/31
D421,266 S		2/2000	Hinklin .....	D15/15
D440,233 S	*	4/2001	Smith .....	D15/17
D440,982 S	*	4/2001	Knight et al. ....	D15/23

\* cited by examiner

*Primary Examiner*—Mitchell Siegel

(57) **CLAIM**

The ornamental design for a left fender surface, as shown and described.

**DESCRIPTION**

FIG. 1 is an elevated front left perspective view of a left fender surface showing our new design, the broken line showing being for illustrative purposes only, and forms no part of the claimed design.

FIG. 2 is an elevated front left perspective view of the left fender surface design of FIG. 1.

FIG. 3 is a plan view of the left fender surface design of FIG. 1.

FIG. 4 is a left side view of the left fender surface design of FIG. 1.

FIG. 5 is a rear view of the left fender surface design of FIG. 1.

FIG. 6 is a front view of the left fender surface design of FIG. 1; and,

FIG. 7 is a right side view of the left fender surface design of FIG. 1.

**1 Claim, 4 Drawing Sheets**

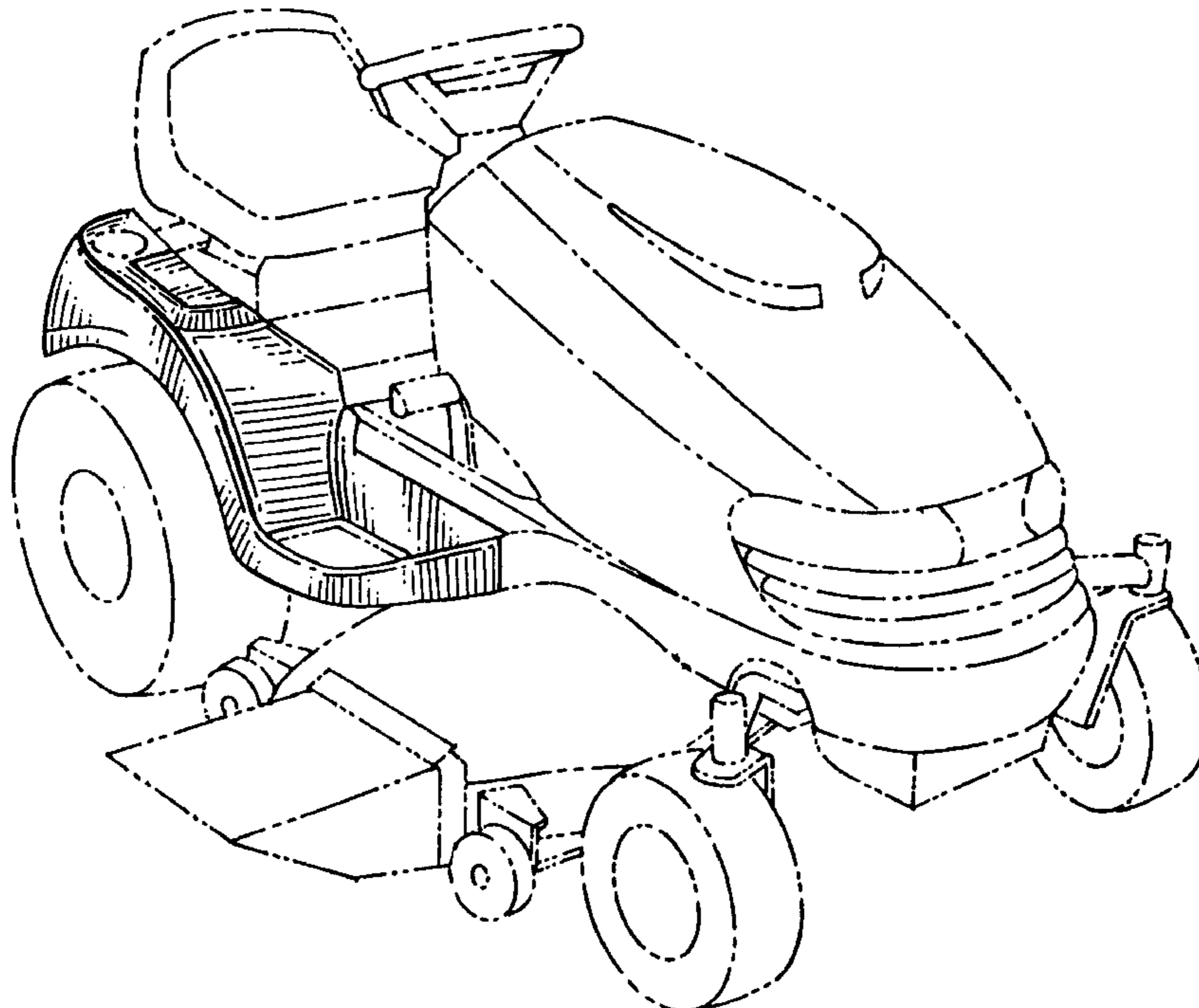
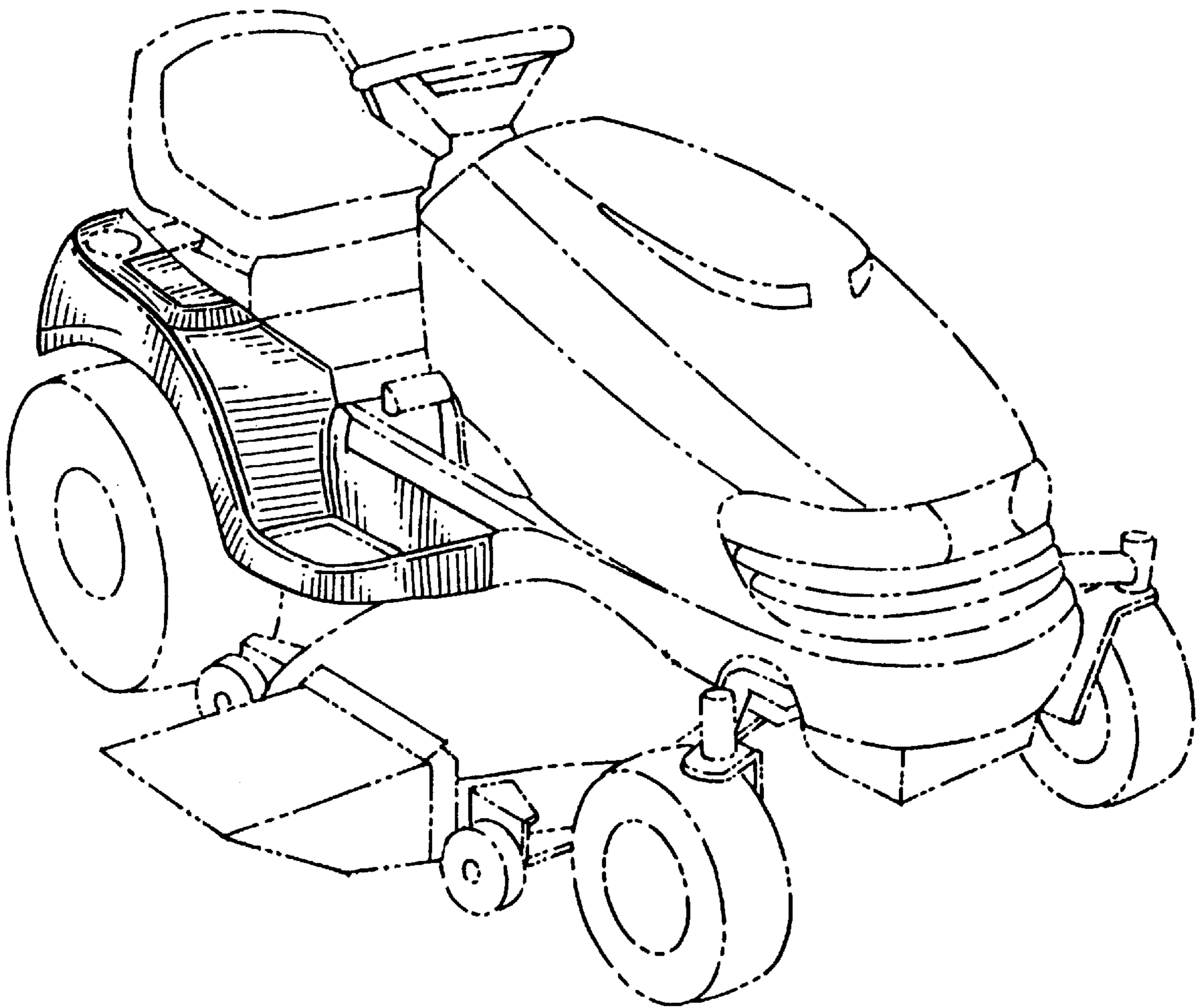


Fig. 1



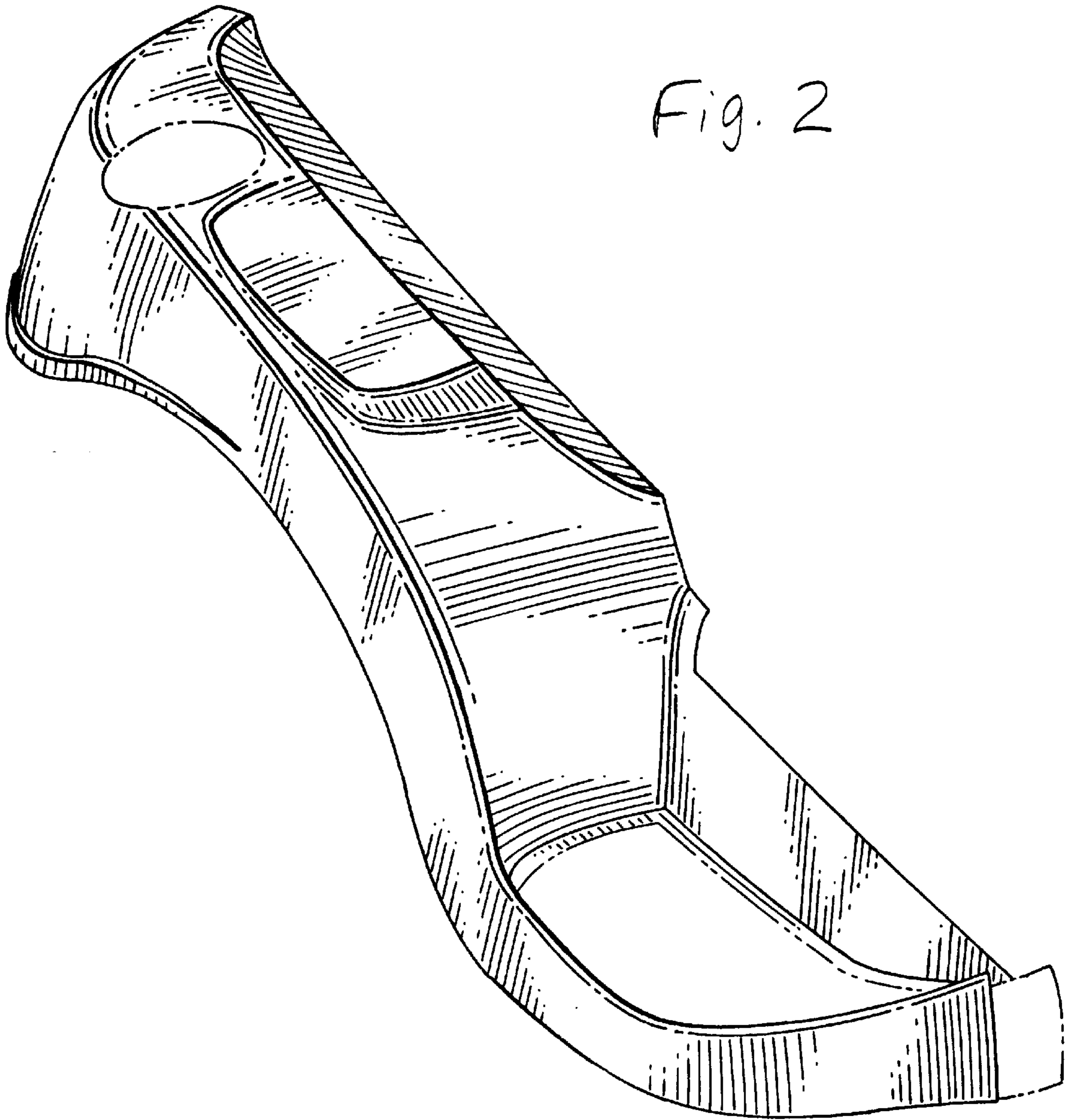


Fig. 2

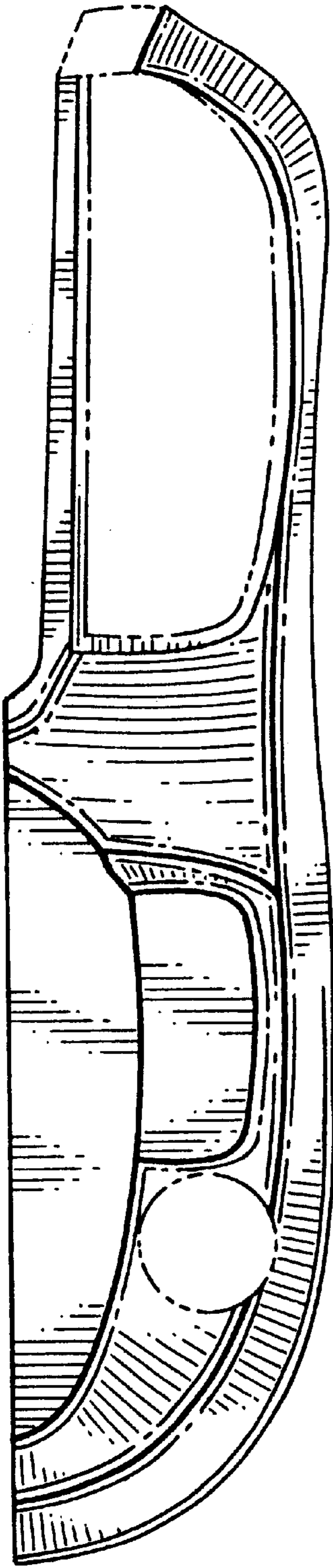


Fig. 3

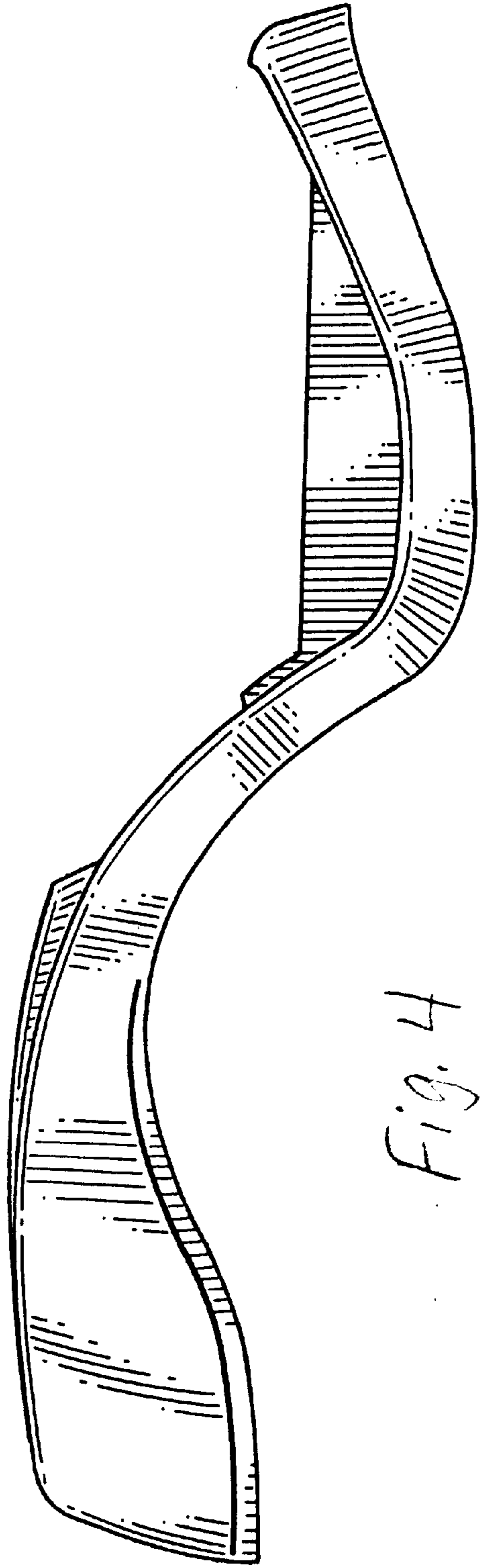


Fig. 4



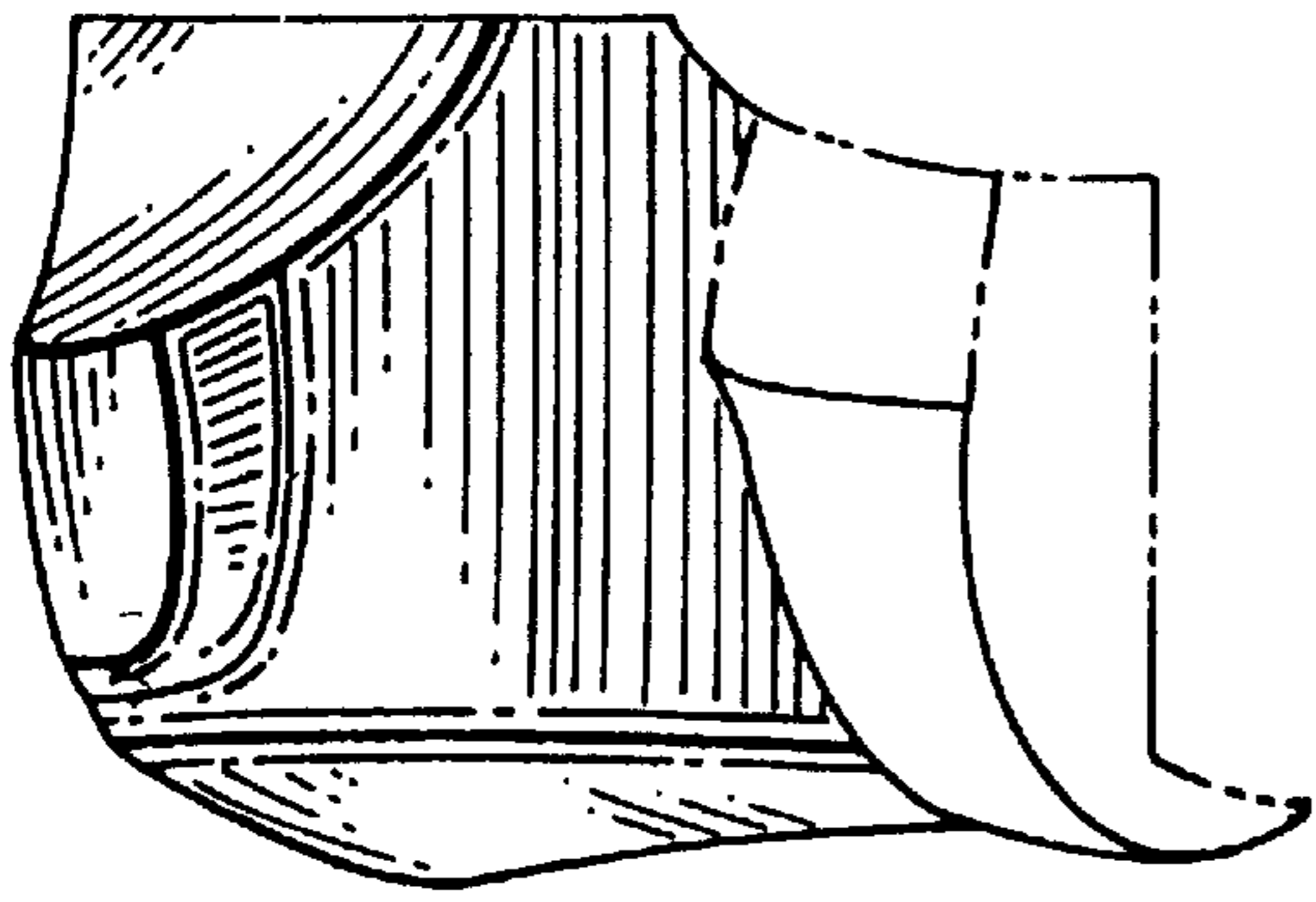


Fig. 5

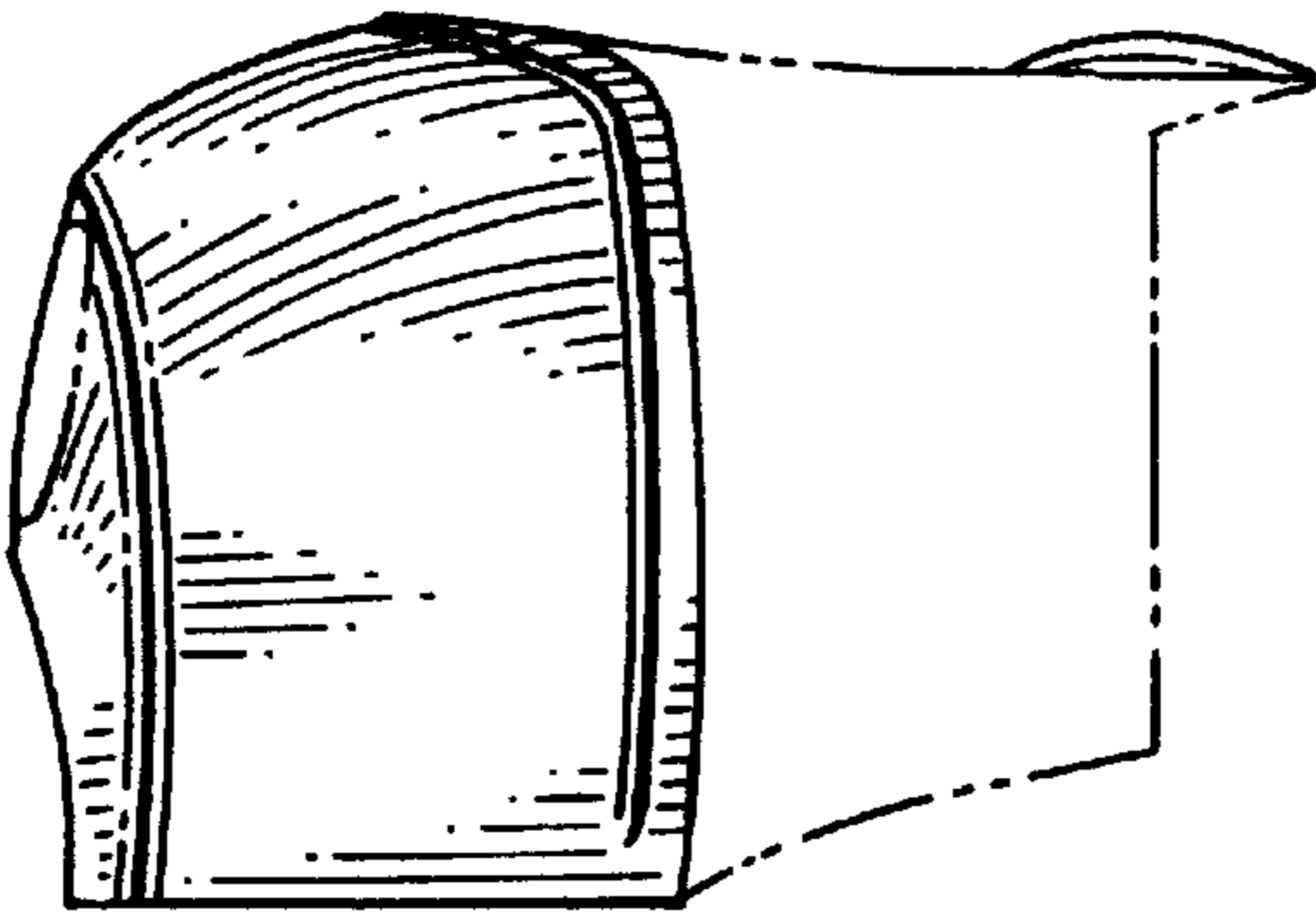


Fig. 6

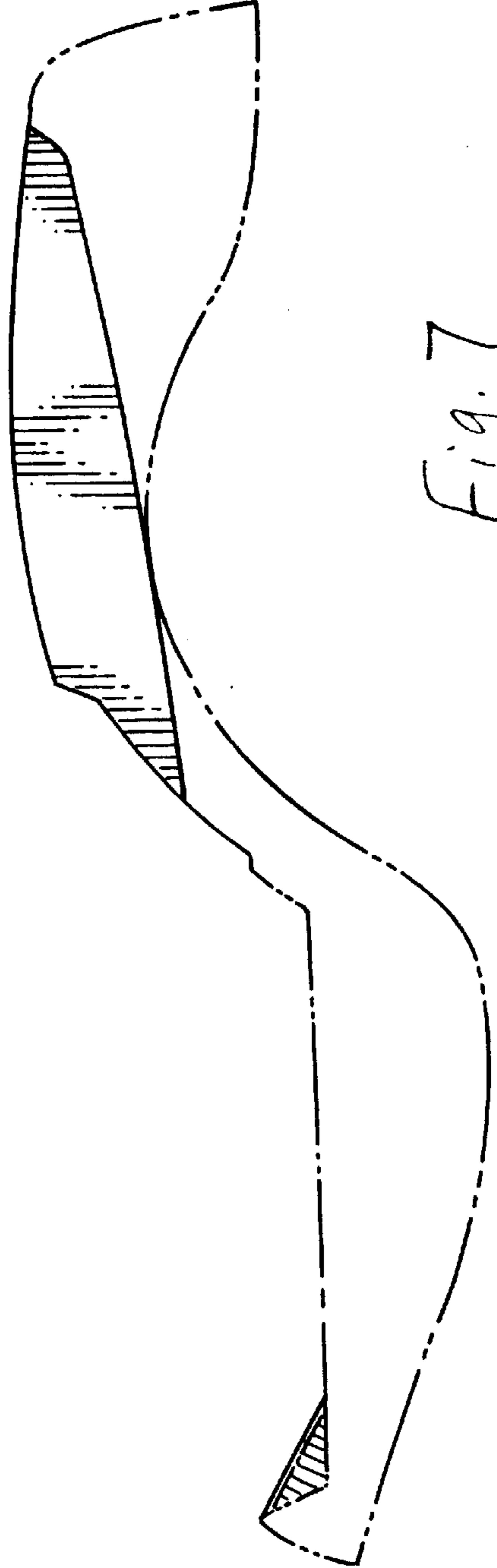


Fig. 7