



US00D457174S

(12) **United States Design Patent**
Bissell

(10) **Patent No.:** **US D457,174 S**

(45) **Date of Patent:** **** May 14, 2002**

(54) **LOG SPLITTER TABLE**

(74) *Attorney, Agent, or Firm*—Bernhard Kreten

(76) **Inventor:** **Sheldon Bissell**, P.O. Box 135,
Mountain Ranch, CA (US) 95246

(57) **CLAIM**

The ornamental design for a log splitter table, as shown and described.

(**) **Term:** **14 Years**

DESCRIPTION

(21) **Appl. No.:** **29/137,517**

FIG. 1 is a bottom perspective view showing the left side and front of a log splitter table showing my new design.

(22) **Filed:** **Feb. 22, 2001**

FIG. 2 is a front view thereof.

(51) **LOC (7) Cl.** **15-03**

FIG. 2 is a right side view thereof.

(52) **U.S. Cl.** **D15/28**

FIG. 4 is a top view thereof.

(58) **Field of Search** D15/28, 10; 144/195,
144/195.1, 366, 193; 108/18, 19, 12, 65

FIG. 5 is a rear view thereof.

FIG. 6 is a bottom view thereof.

FIG. 7 is a left side view thereof.

(56) **References Cited**

FIG. 8 is a perspective view in one possible environment; and,

U.S. PATENT DOCUMENTS

FIG. 9 is a left side view in one possible environment.

4,842,030 A * 6/1989 Meyer 144/195.1

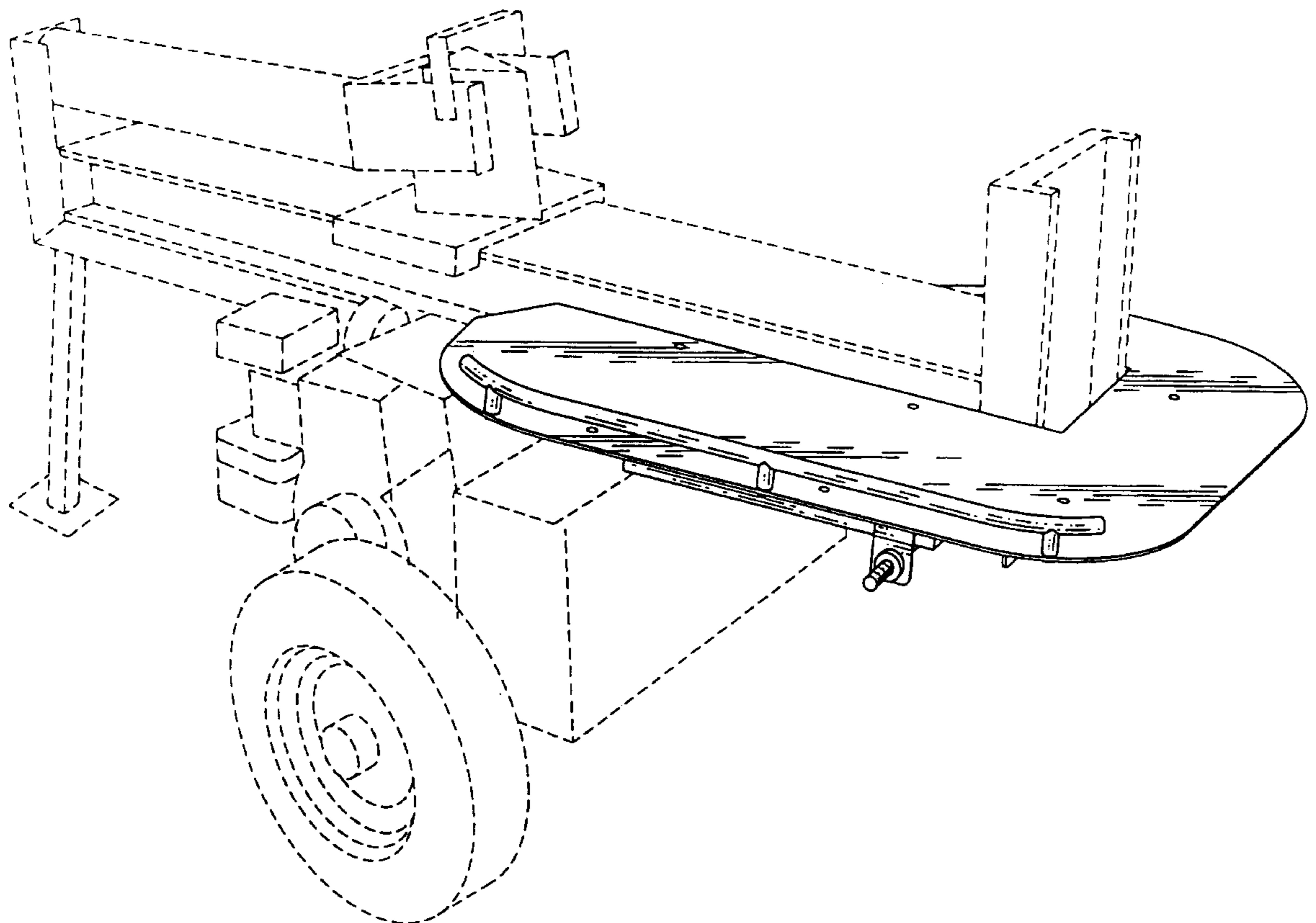
The broken-line showing of environmental structure in FIGS. 8 and 9 are for illustrative purposes only and forms no part of the claimed design.

5,526,855 A * 6/1996 Graham 144/195.1

* cited by examiner

1 Claim, 4 Drawing Sheets

Primary Examiner—Mitchell Siegel



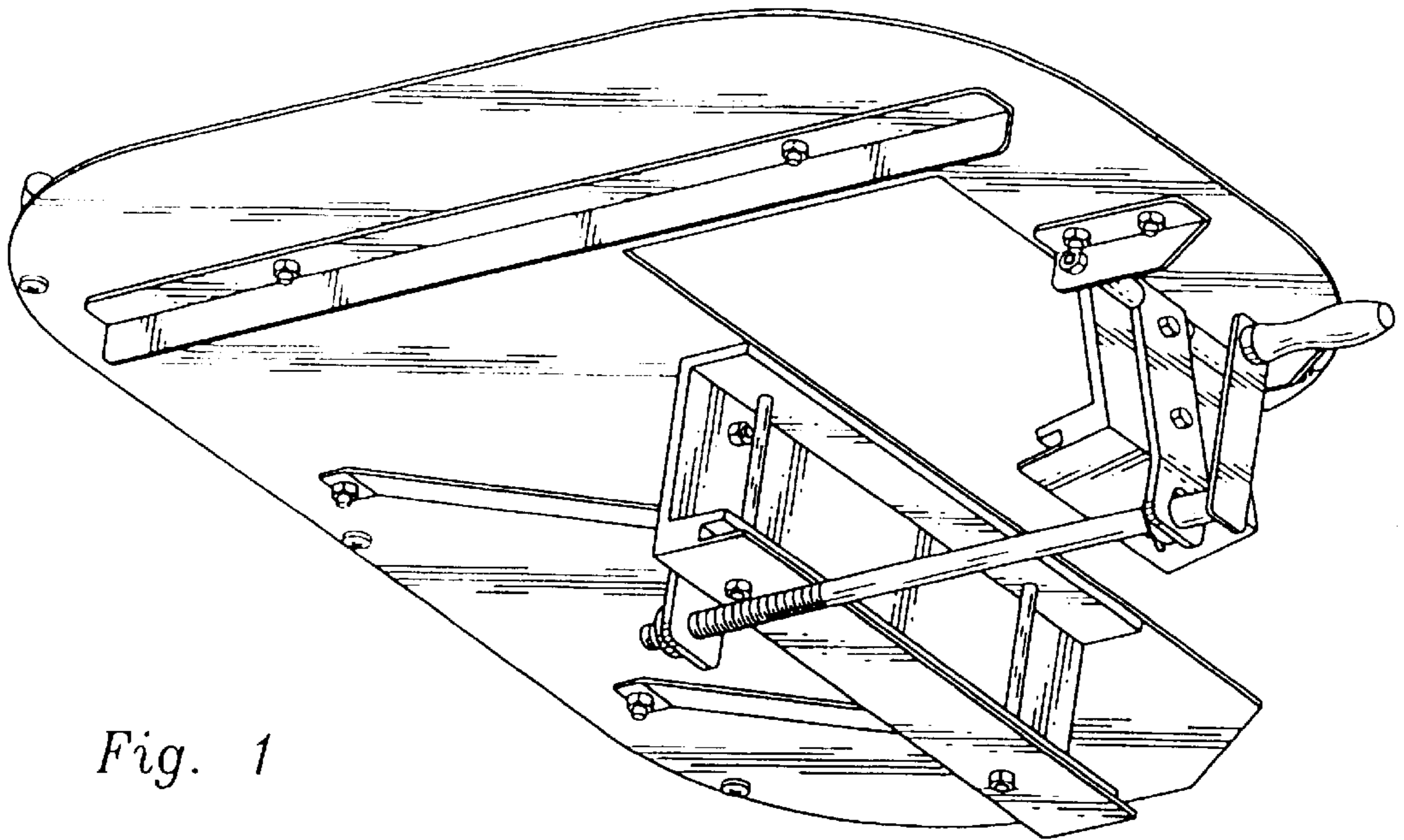


Fig. 1

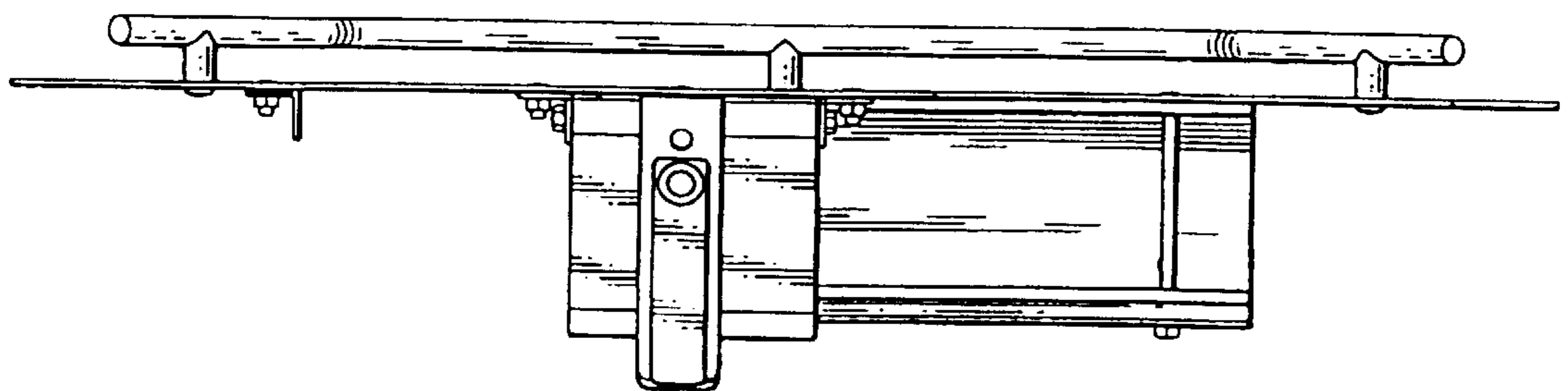


Fig. 2

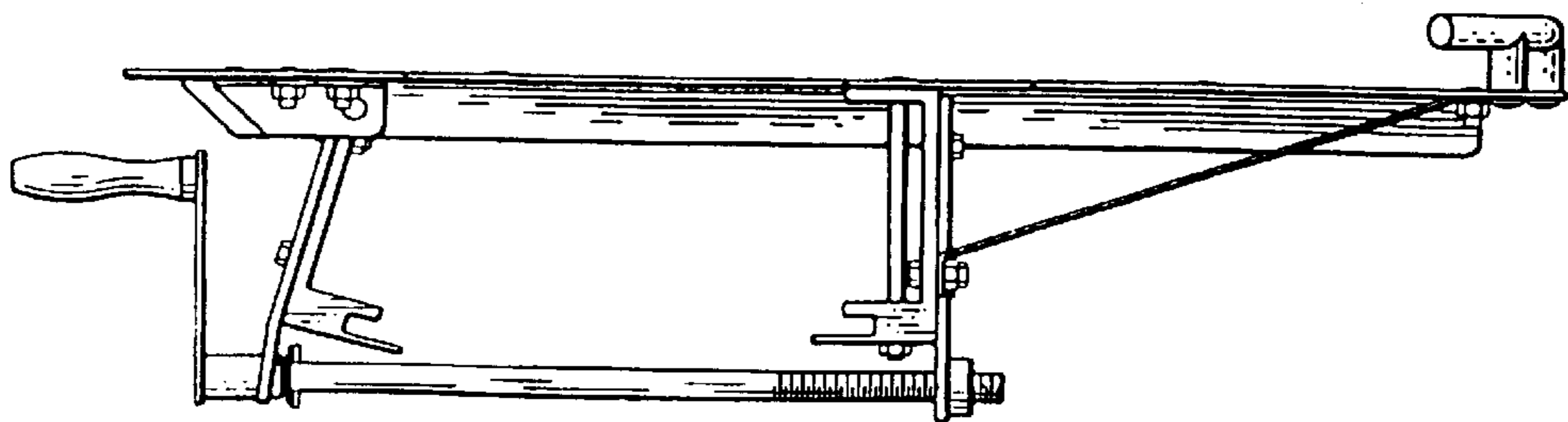


Fig. 3

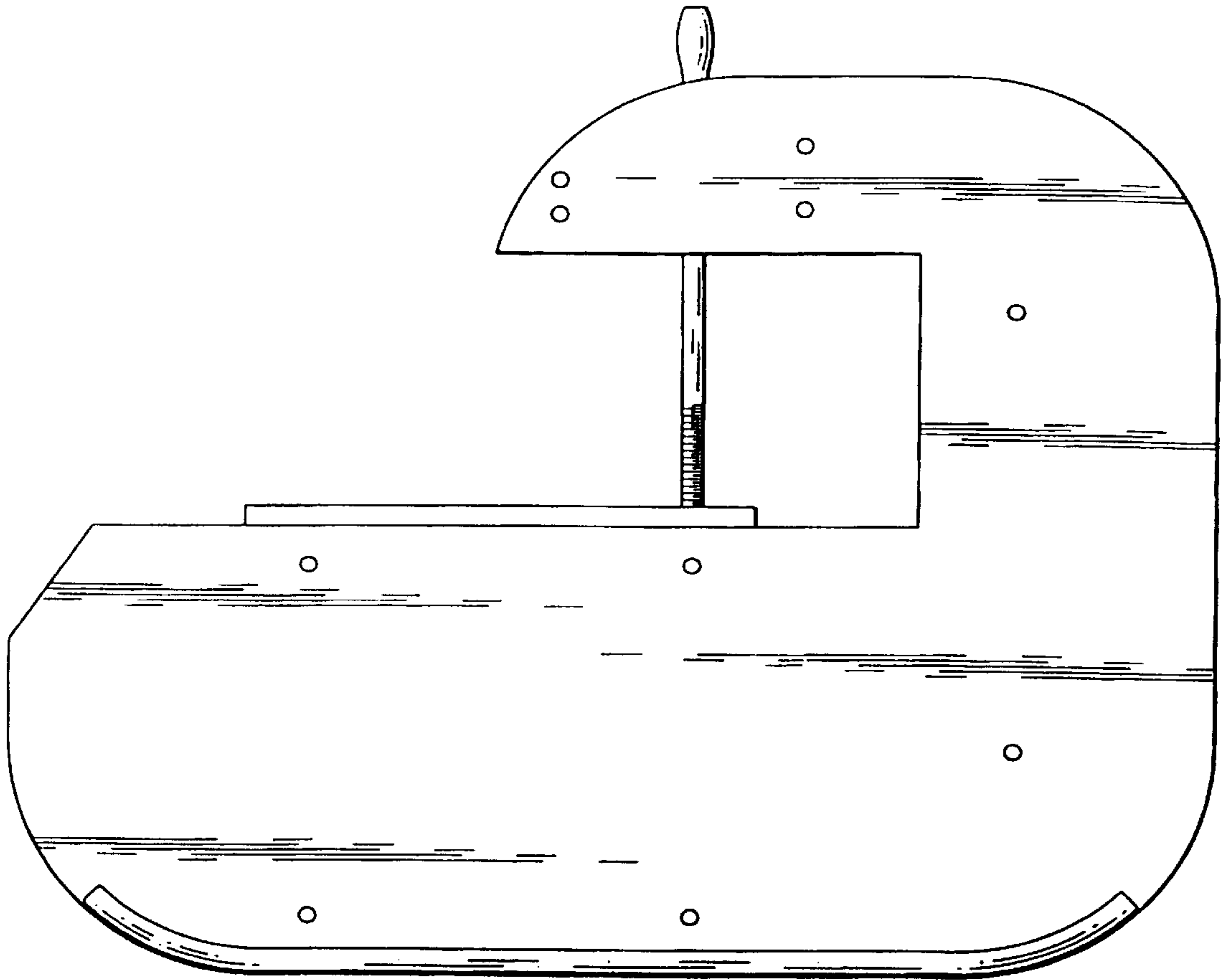


Fig. 4

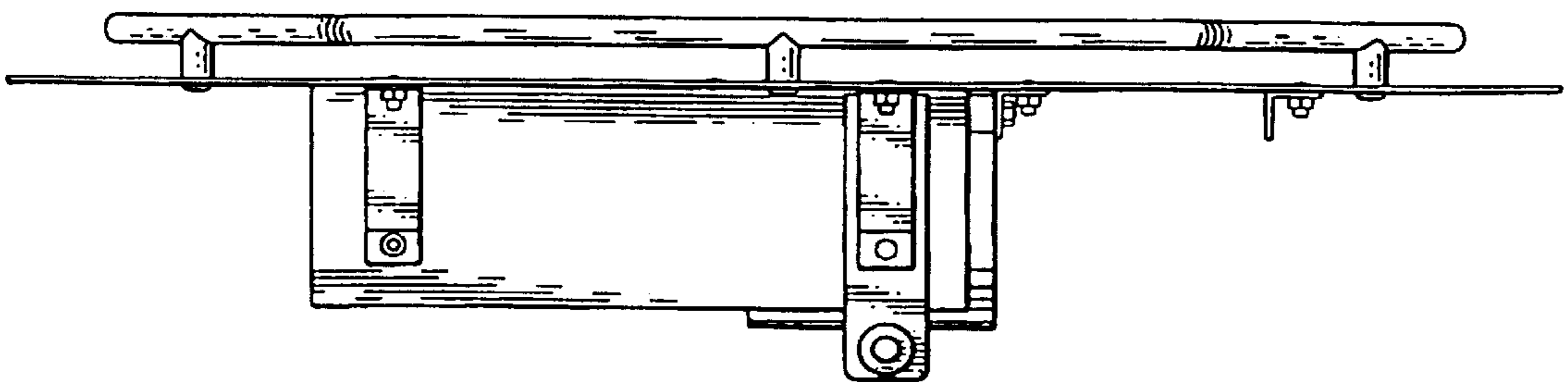


Fig. 5

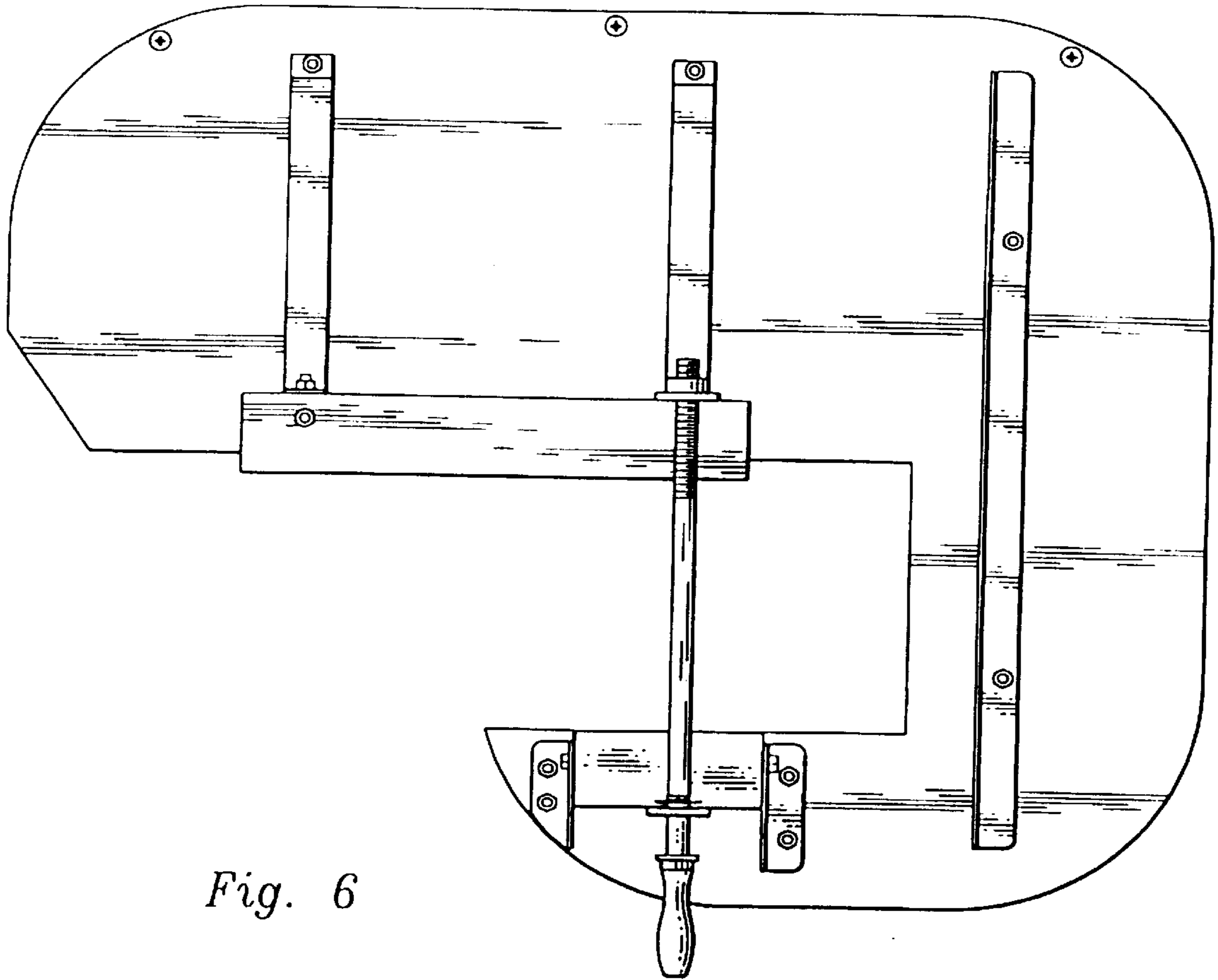


Fig. 6

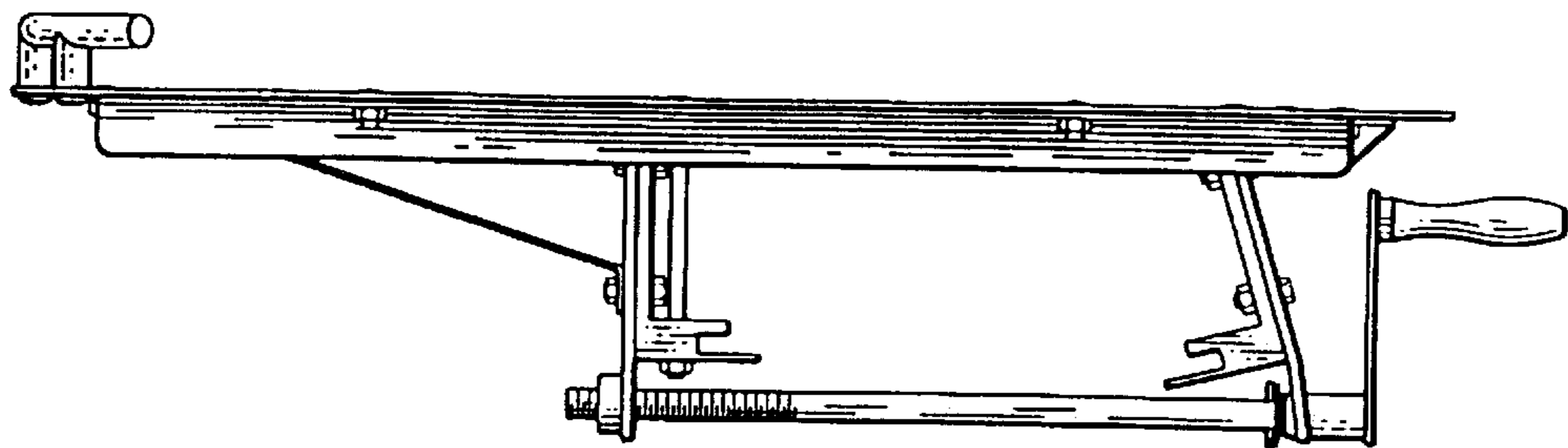


Fig. 7

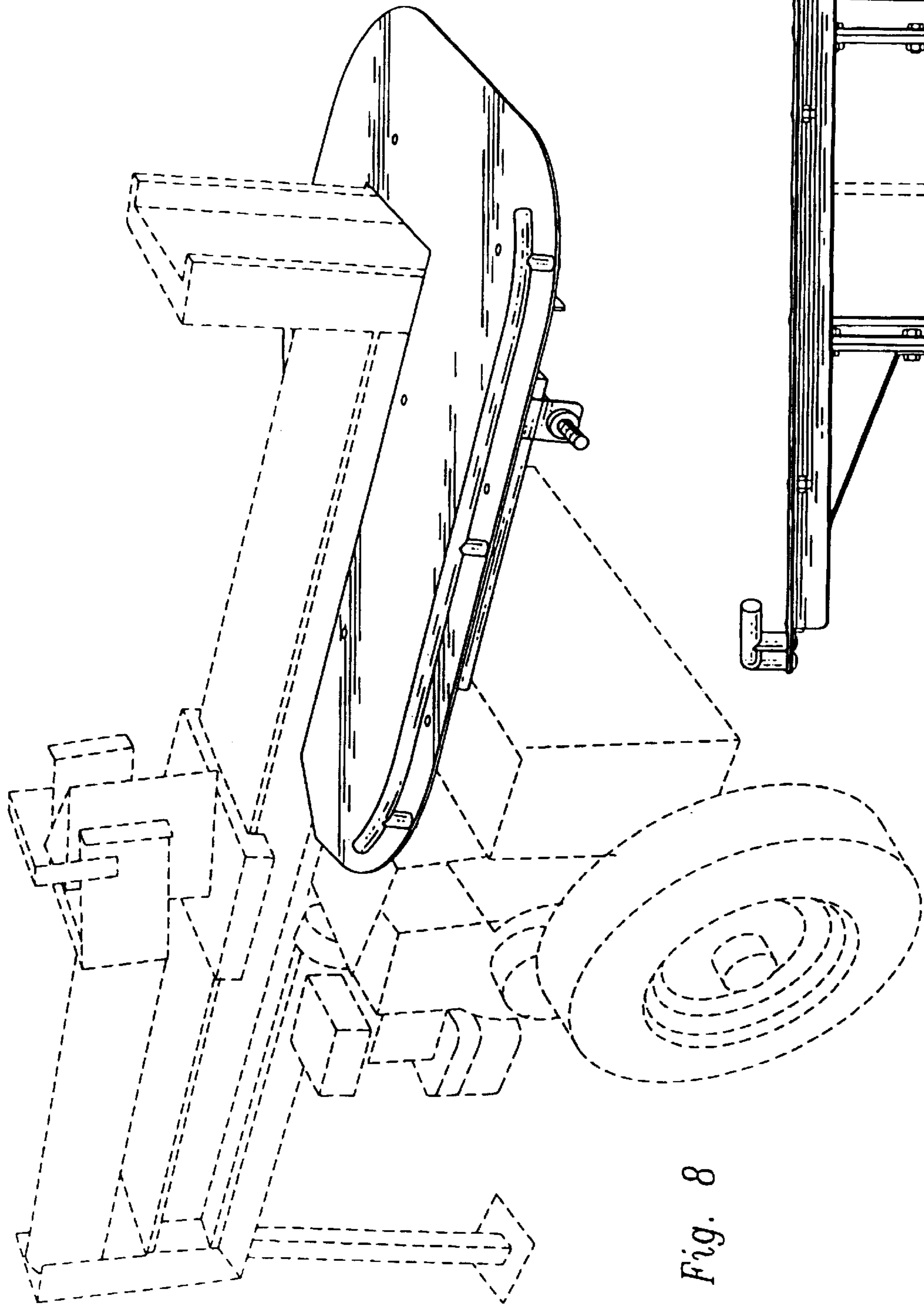


Fig. 8

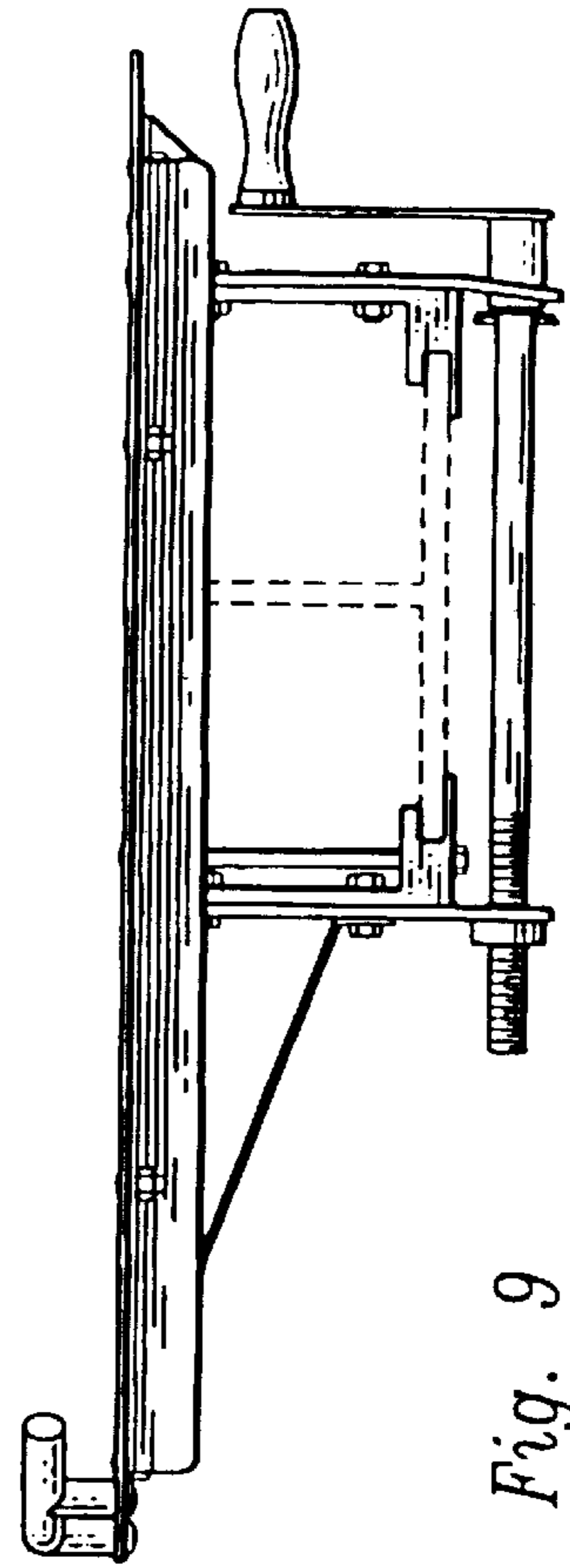


Fig. 9