



US00D457172S

(12) **United States Design Patent**  
**Bautz et al.**

(10) **Patent No.:** **US D457,172 S**

(45) **Date of Patent:** **\*\* May 14, 2002**

(54) **STUMP GRINDER ATTACHMENT FOR  
LOADER**

(75) Inventors: **Juel M. Bautz**, Bismarck; **Paul J. Steffes**, Dickinson; **Rae Dell Braaten**, Fargo; **Philip D. Bogner**, Bismarck, all of ND (US)

5,655,581 A	8/1997	Craft	144/24.12
5,660,217 A *	8/1997	Nissley	144/24.12
5,718,271 A	2/1998	Engelhoven	144/24.12
5,738,155 A	4/1998	Cochran	144/24.12
5,845,689 A	12/1998	Egging et al.	144/334
5,887,634 A *	3/1999	Theisen	144/24.12
5,957,213 A	9/1999	Loraas et al.	172/2
6,138,725 A *	10/2000	Leonardi et al.	144/24.12
D433,428 S *	11/2000	Pullen	D15/127

(73) Assignee: **Clark Equipment Company**, Woodcliff Lake, NJ (US)

\* cited by examiner

(\*\*) Term: **14 Years**

*Primary Examiner*—Mitchell Siegel

(21) Appl. No.: **29/124,539**

(74) *Attorney, Agent, or Firm*—Westman, Champlin & Kelly, P.A.

(22) Filed: **Jun. 7, 2000**

(57) **CLAIM**

(51) **LOC (7) Cl.** ..... **15-03**

The ornamental design for a stump grinder attachment for loader, as shown.

(52) **U.S. Cl.** ..... **D15/28**

(58) **Field of Search** ..... D15/127, 130,  
D15/131, 28; 144/24.1, 24.12, 334, 382,  
218, 235, 241

**DESCRIPTION**

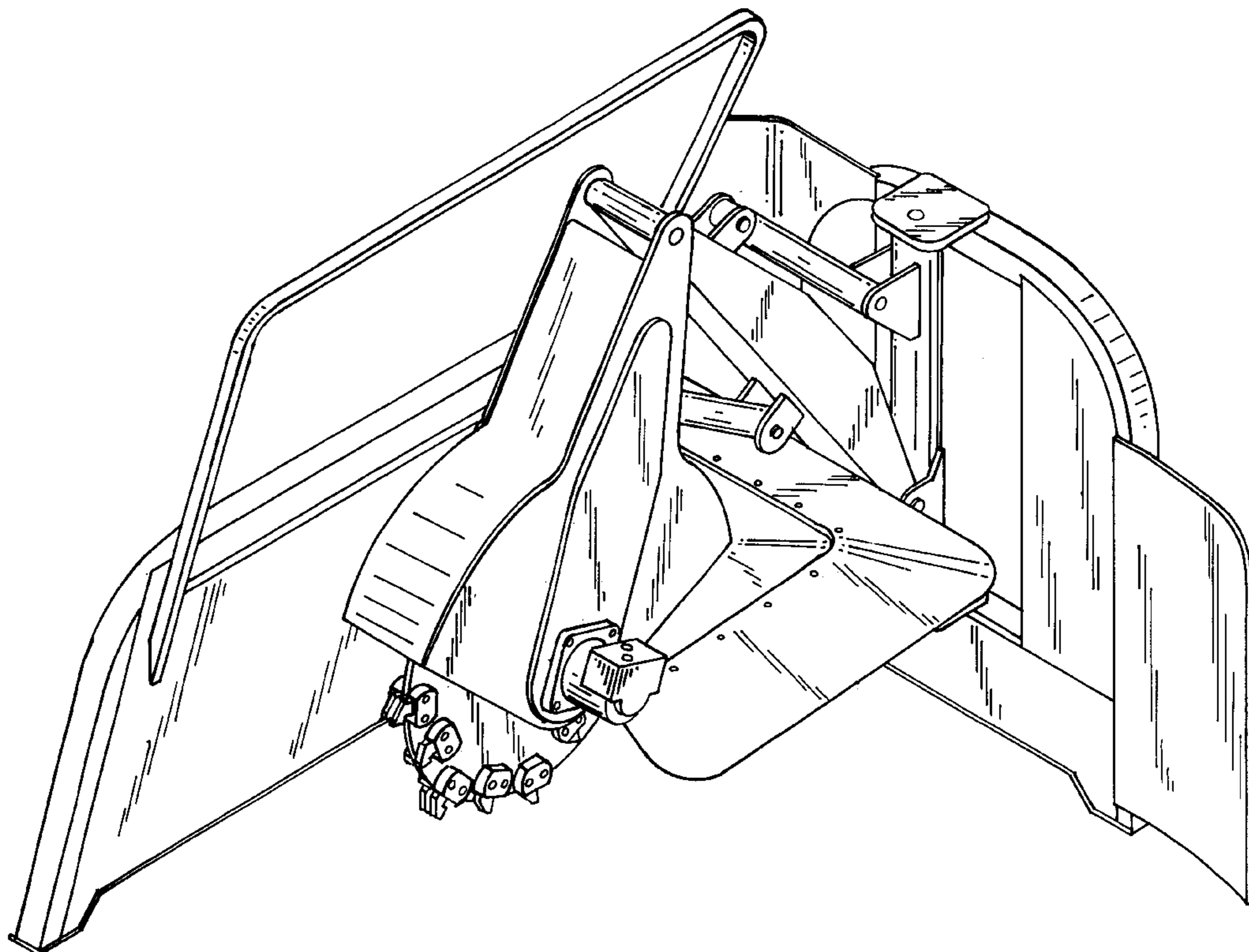
(56) **References Cited**

FIG. 1 is a front right-hand perspective view of a stump grinder attachment for loaders embodying our new design; FIG. 2 is a rear perspective view thereof; FIG. 3 is a top plan view thereof; FIG. 4 is a front elevational view thereof; FIG. 5 is a left side elevational view thereof; FIG. 6 is a right side elevational view thereof; FIG. 7 is a rear elevational view thereof; and, FIG. 8 is a bottom plan view thereof.

**U.S. PATENT DOCUMENTS**

3,336,958 A *	8/1967	Carlton	144/24.12
3,685,557 A	8/1972	Groce	144/2 N
RE28,651 E	12/1975	Welborn	144/2 N
5,203,615 A	4/1993	Zanetis et al.	299/39
5,299,857 A	4/1994	Zanetis	299/39
5,435,359 A	7/1995	Craft	144/334
5,588,474 A	12/1996	Egging	144/24.12

**1 Claim, 8 Drawing Sheets**



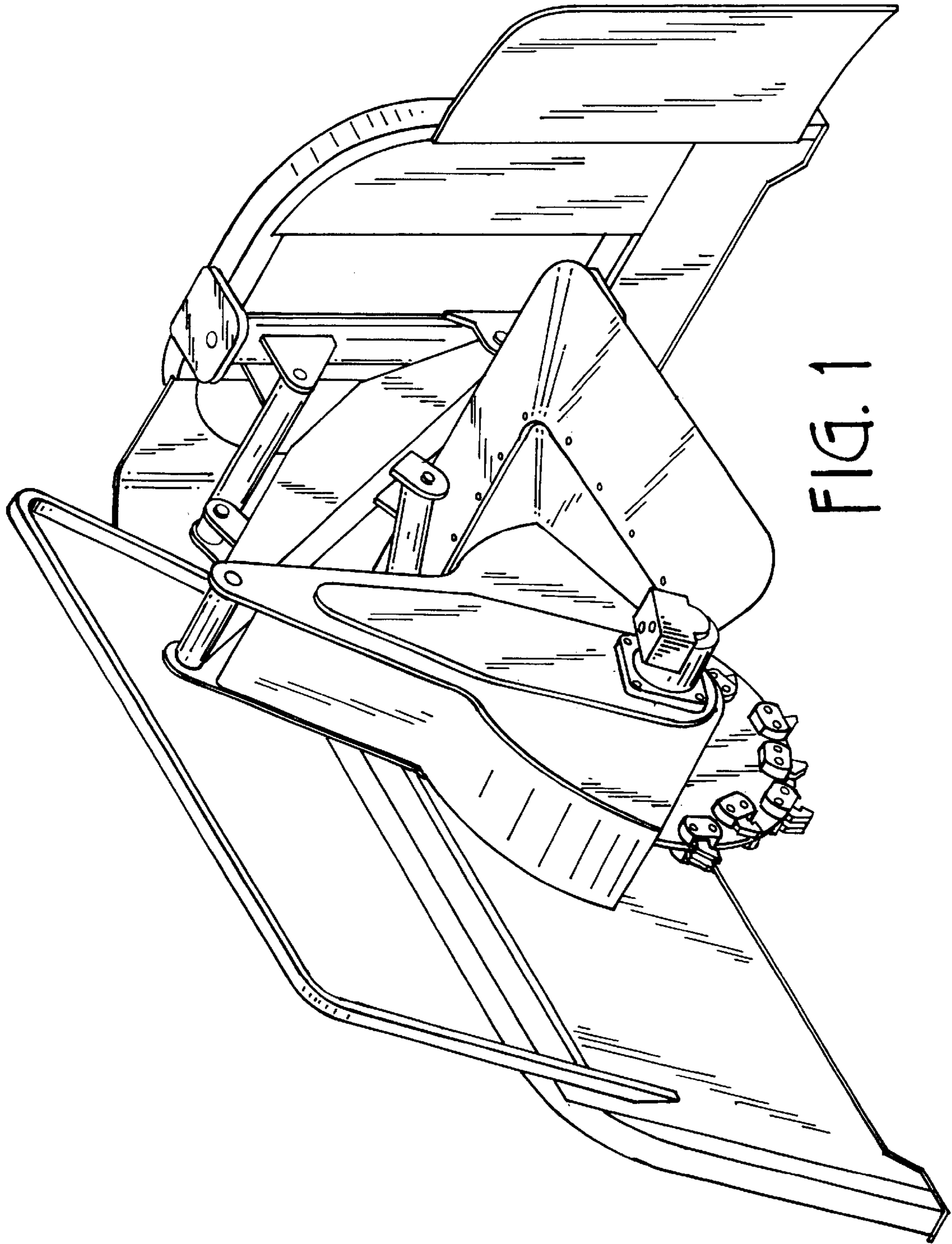


FIG. 1

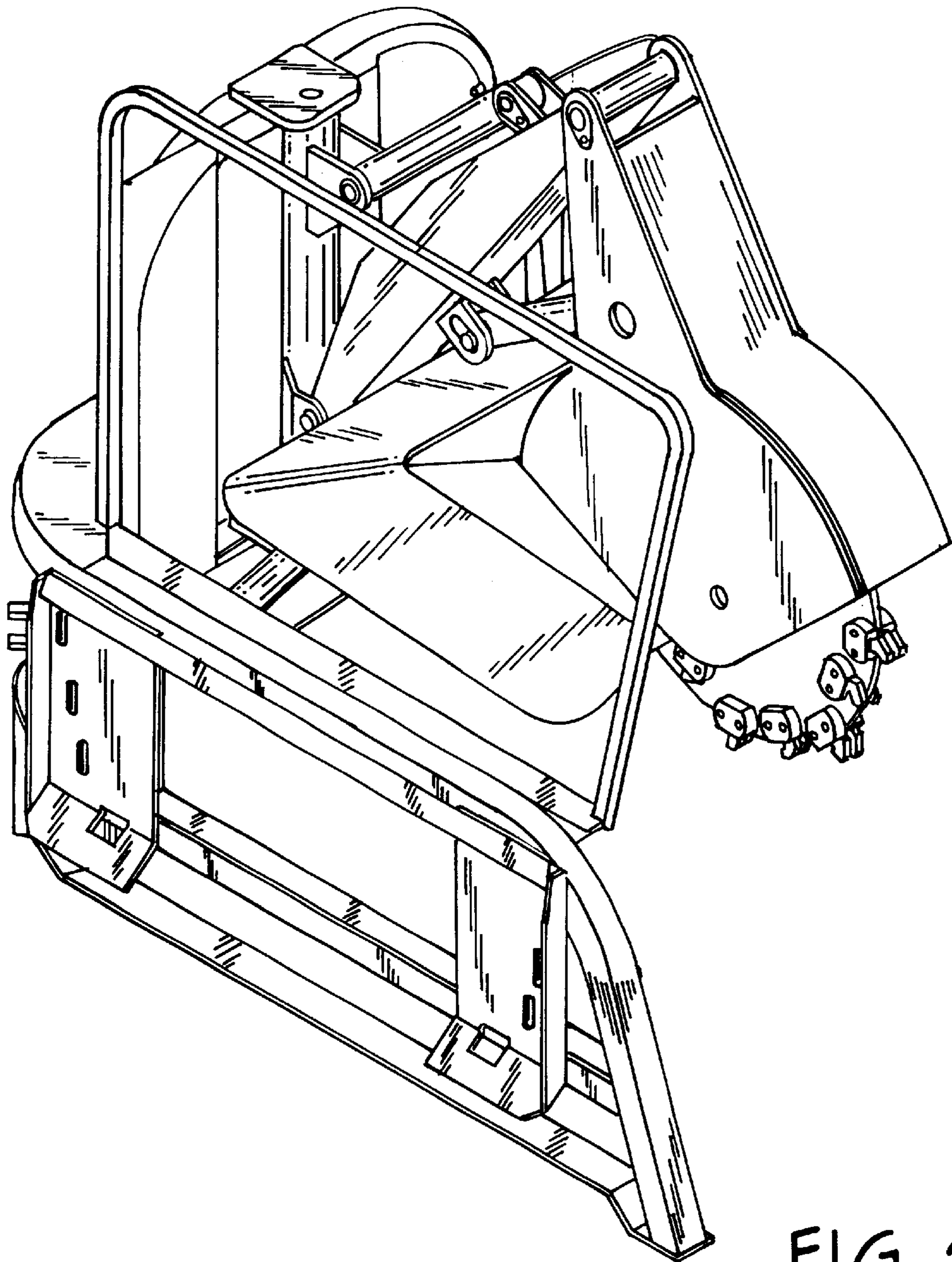


FIG. 2



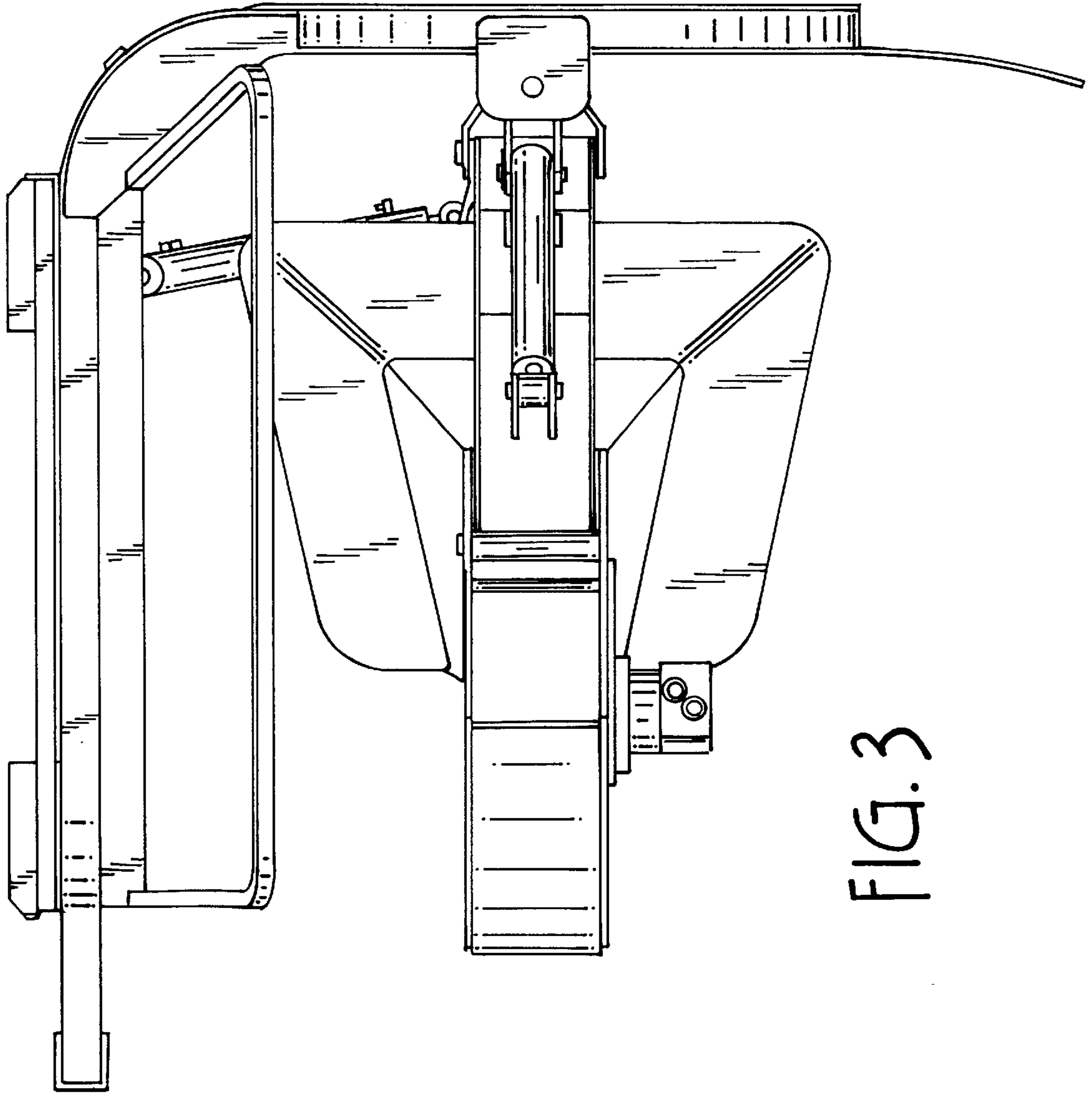
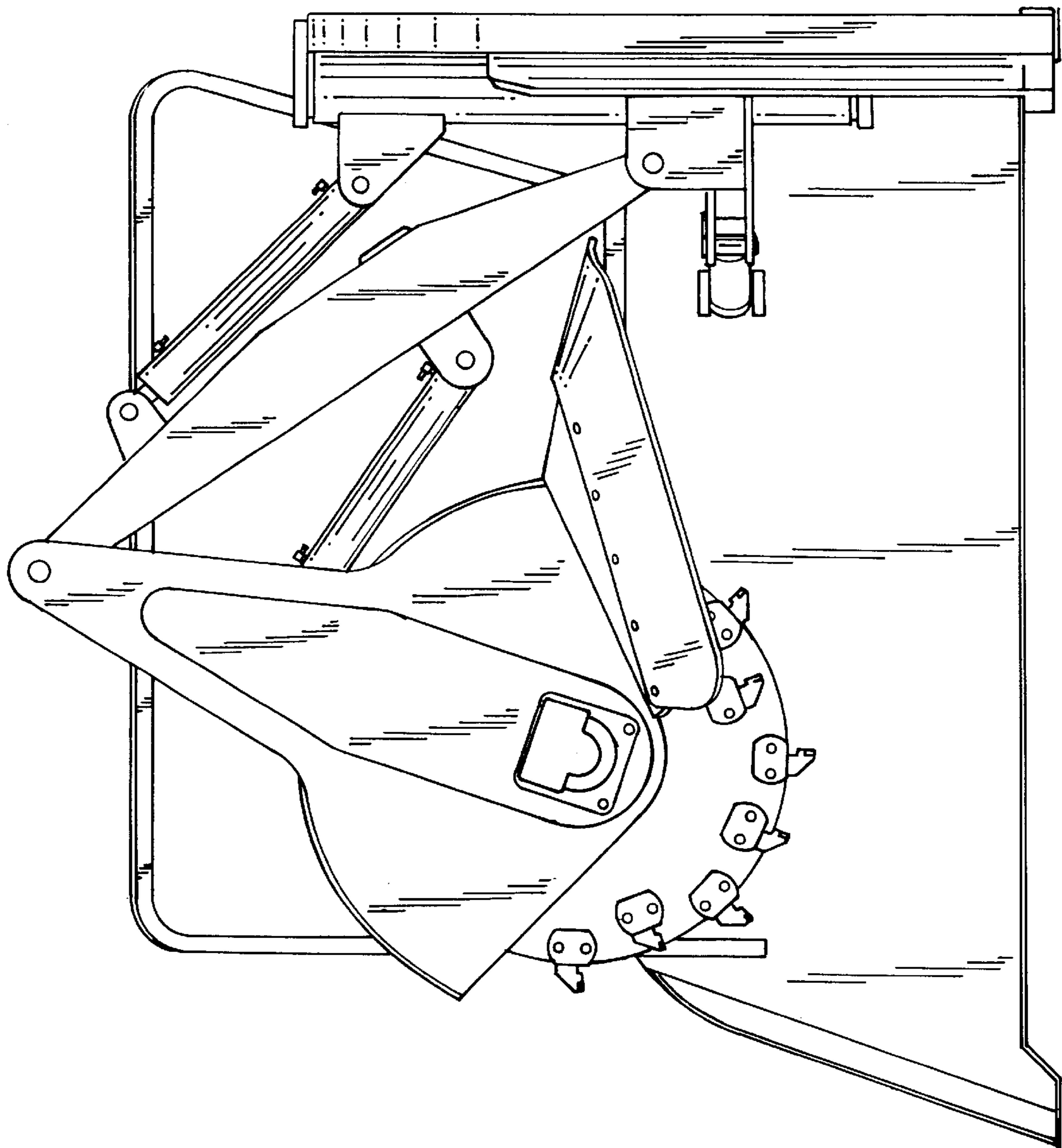


FIG. 3

FIG. 4



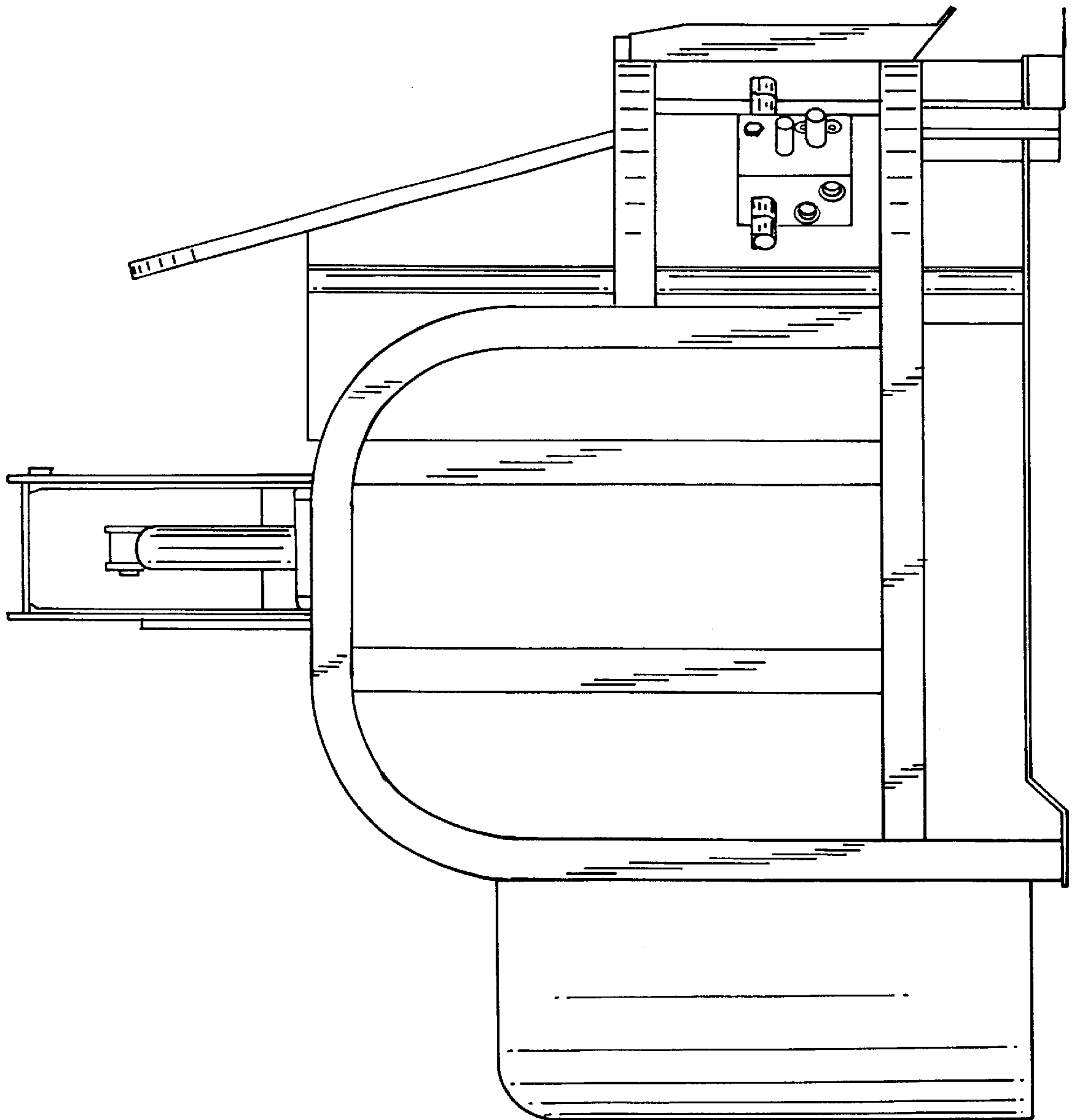


FIG. 5

FIG. 6

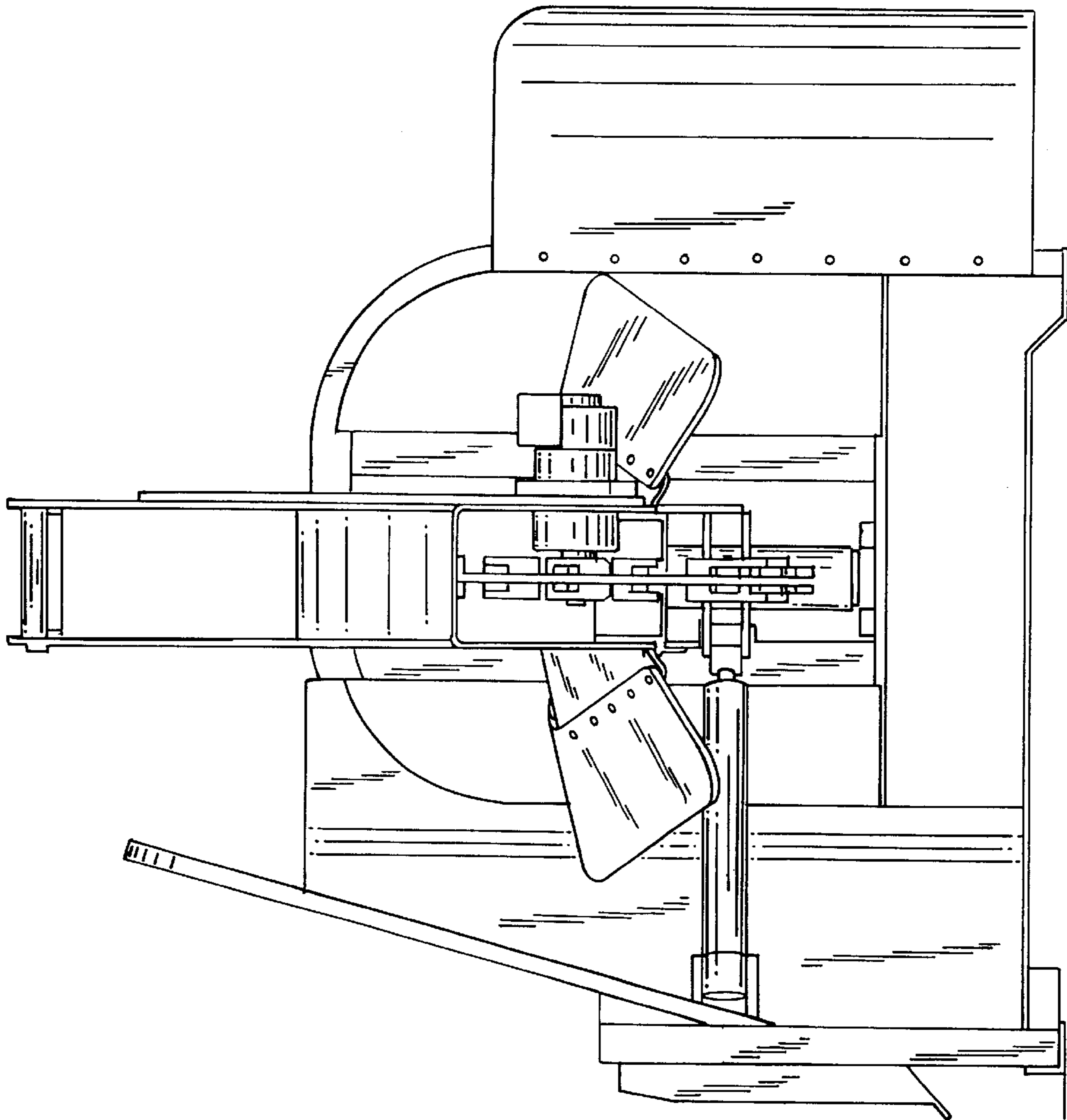


FIG. 7

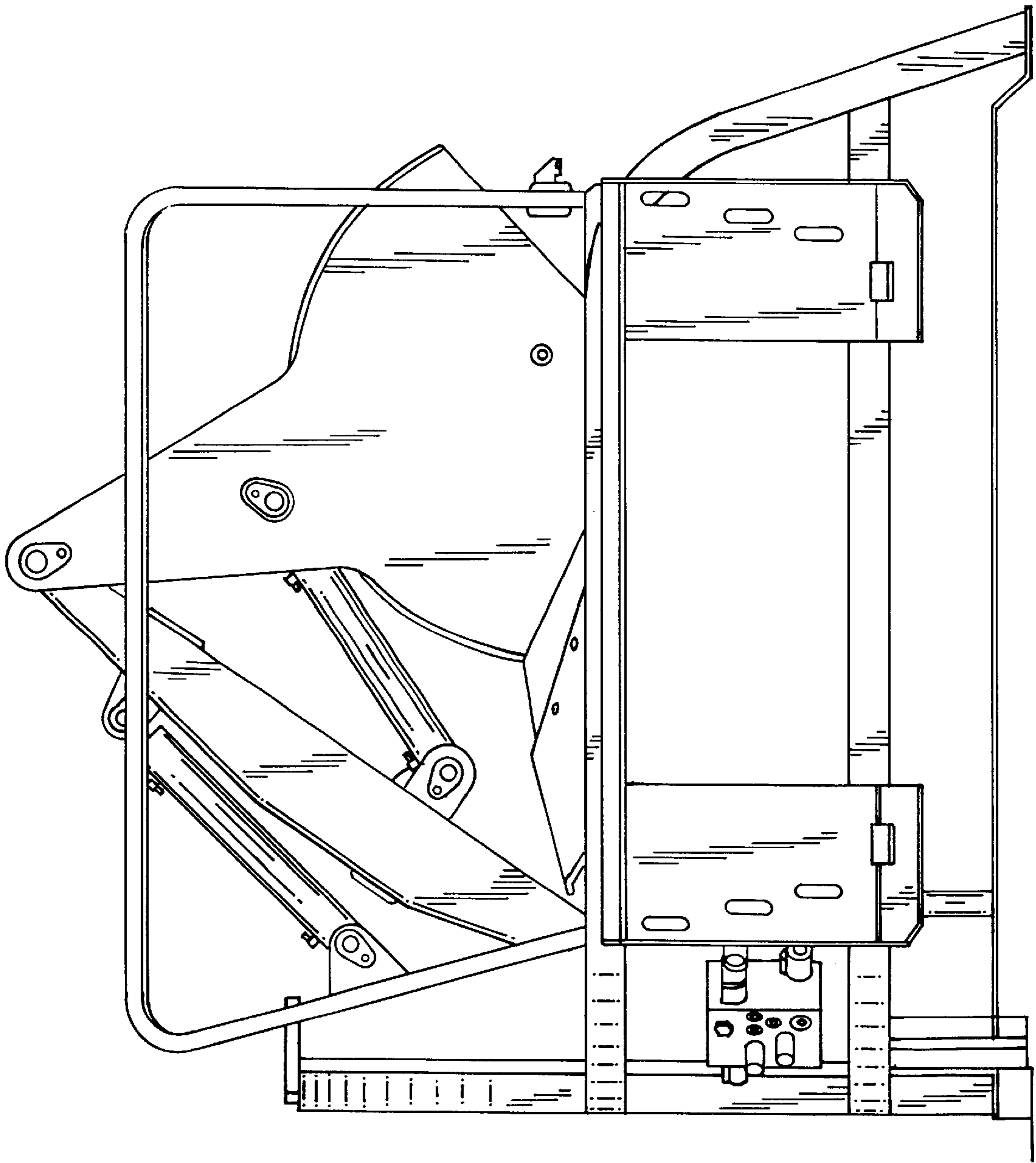




FIG. 8

