



US00D457169S

(12) **United States Design Patent**
Braswell

(10) **Patent No.:** **US D457,169 S**

(45) **Date of Patent:** **** May 14, 2002**

(54) **CARBURETOR FLOAT BOWL**

(75) Inventor: **David Braswell**, Marana, AZ (US)

(73) Assignee: **POW Engineering, Inc.**, Marana, AZ (US)

(**) Term: **14 Years**

(21) Appl. No.: **29/140,626**

(22) Filed: **Apr. 20, 2001**

(51) **LOC (7) Cl.** **15-01**

(52) **U.S. Cl.** **D15/6**

(58) **Field of Search** D15/1-6; 261/23.2,
261/44.4, DIG. 12

(56) **References Cited**

U.S. PATENT DOCUMENTS

D218,493 S	*	8/1970	Grant	D15/6
D279,101 S	*	6/1985	Halcomb, Sr. et al.	D15/6
D293,581 S	*	1/1988	Brown	D15/6
D375,102 S	*	10/1996	De Humer	D15/6
5,863,470 A	*	1/1999	Grant	261/23.2

OTHER PUBLICATIONS

7 Holley Carburetor photographs, numbered 1 through 7.

6 BG Carburetor photographs, numbered 8 through 13.

* cited by examiner

Primary Examiner—Melody N. Brown

(74) *Attorney, Agent, or Firm*—Birdwell, Janke & Durando, PLC

(57) **CLAIM**

The ornamental design for a carburetor float bowl, substantially as shown and described.

DESCRIPTION

FIG. 1 is a perspective view of a carburetor float bowl showing my new design.

FIG. 2 is a front elevation view thereof.

FIG. 3 is a right side elevation view thereof.

FIG. 4 is a left side elevation view thereof.

FIG. 5 is a rear elevation view thereof.

FIG. 6 is a bottom view thereof; and,

FIG. 7 is a top view thereof.

The broken lines shown throughout the drawing are for illustrative purposes only and form no part of the claimed design.

1 Claim, 2 Drawing Sheets

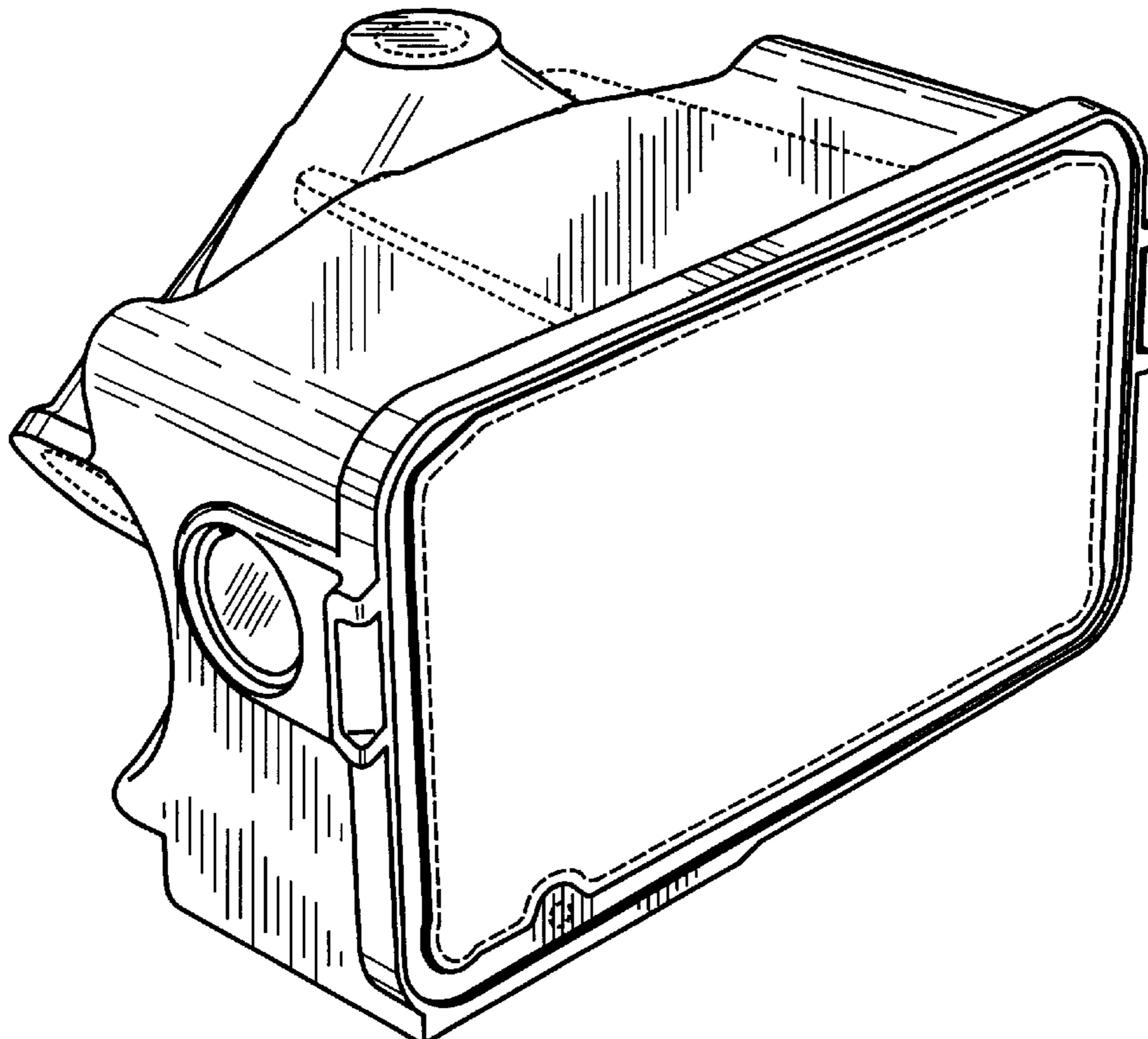


Fig. 1

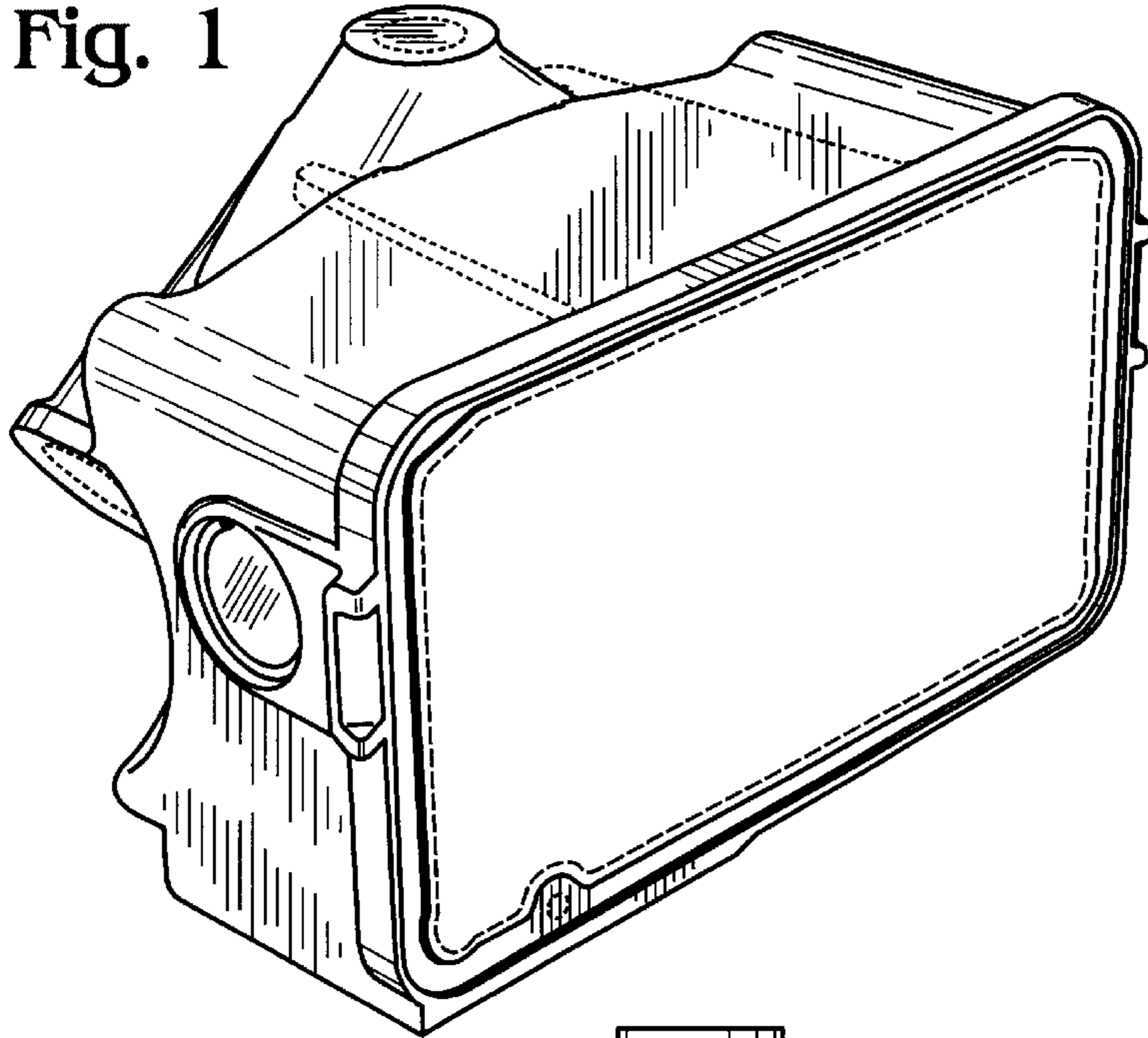


Fig. 2

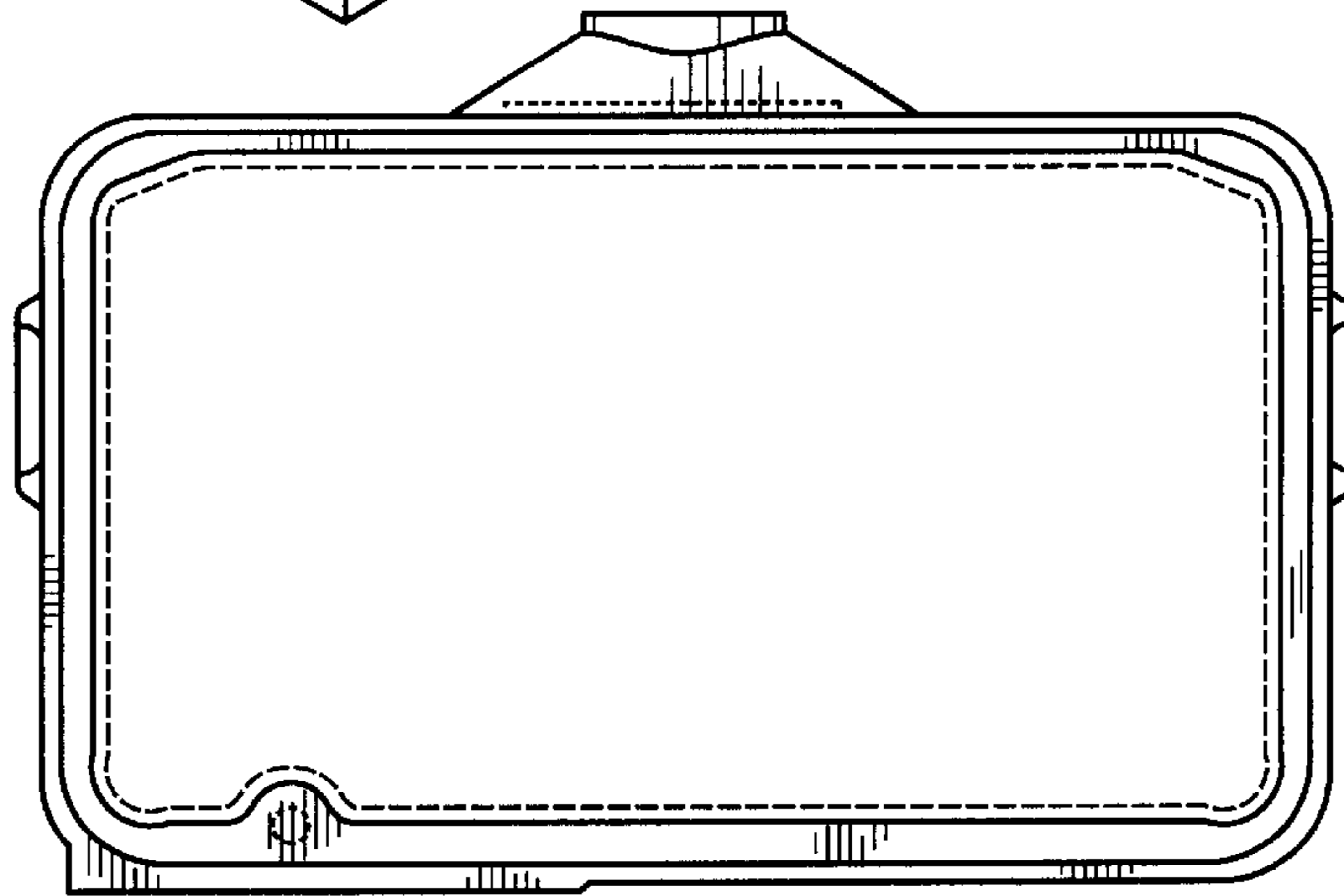


Fig. 3

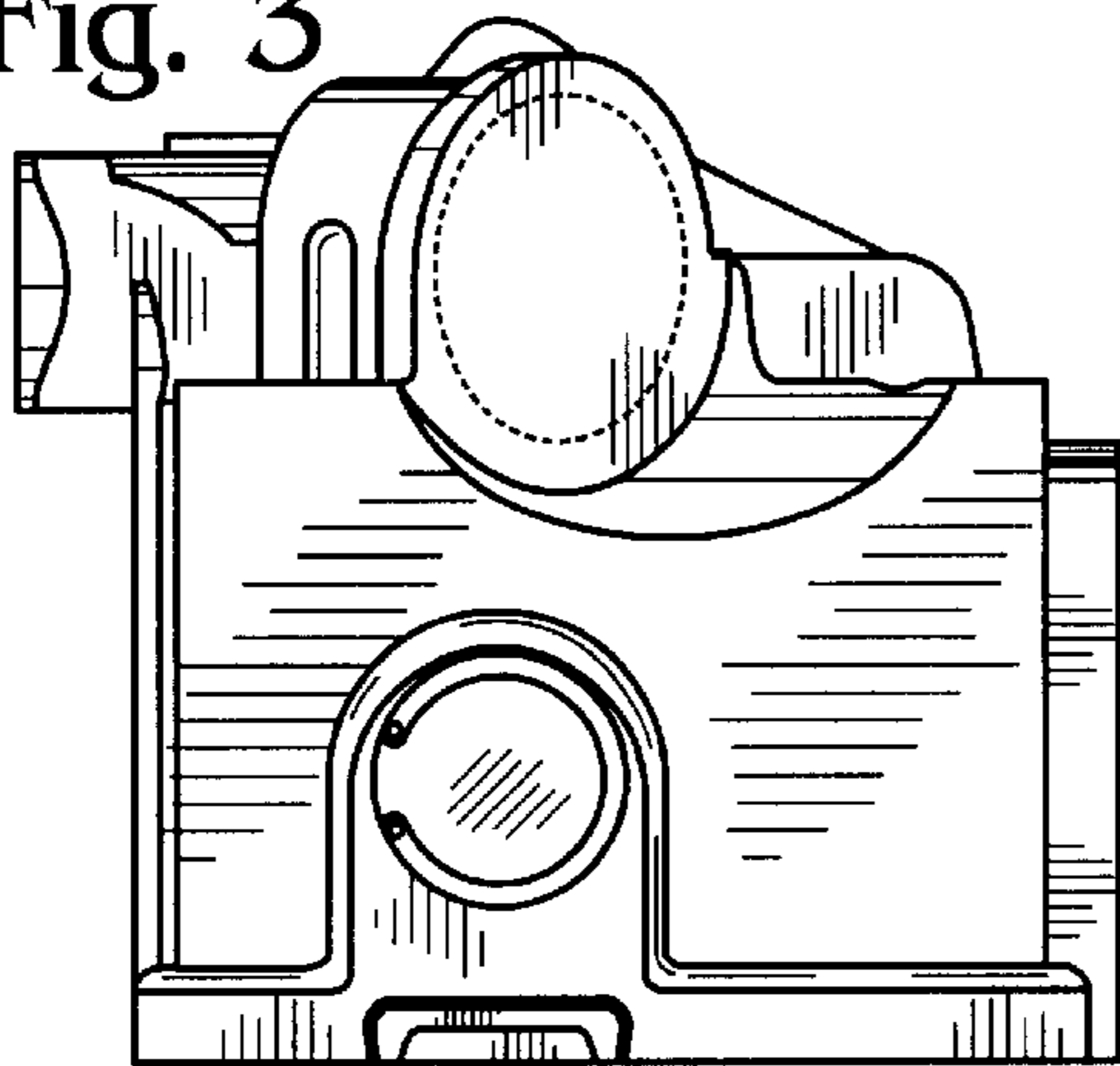


Fig. 4

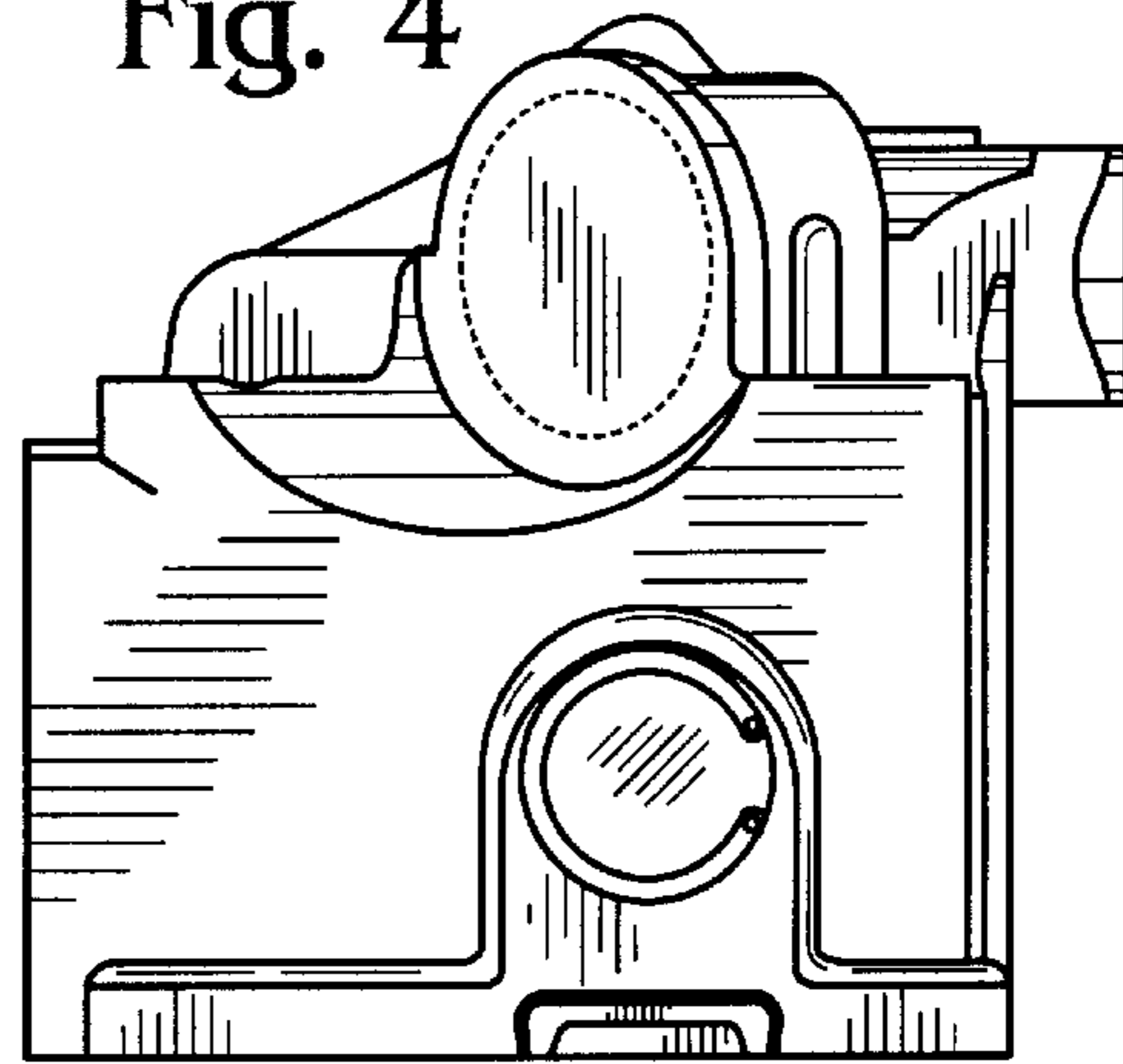


Fig. 5

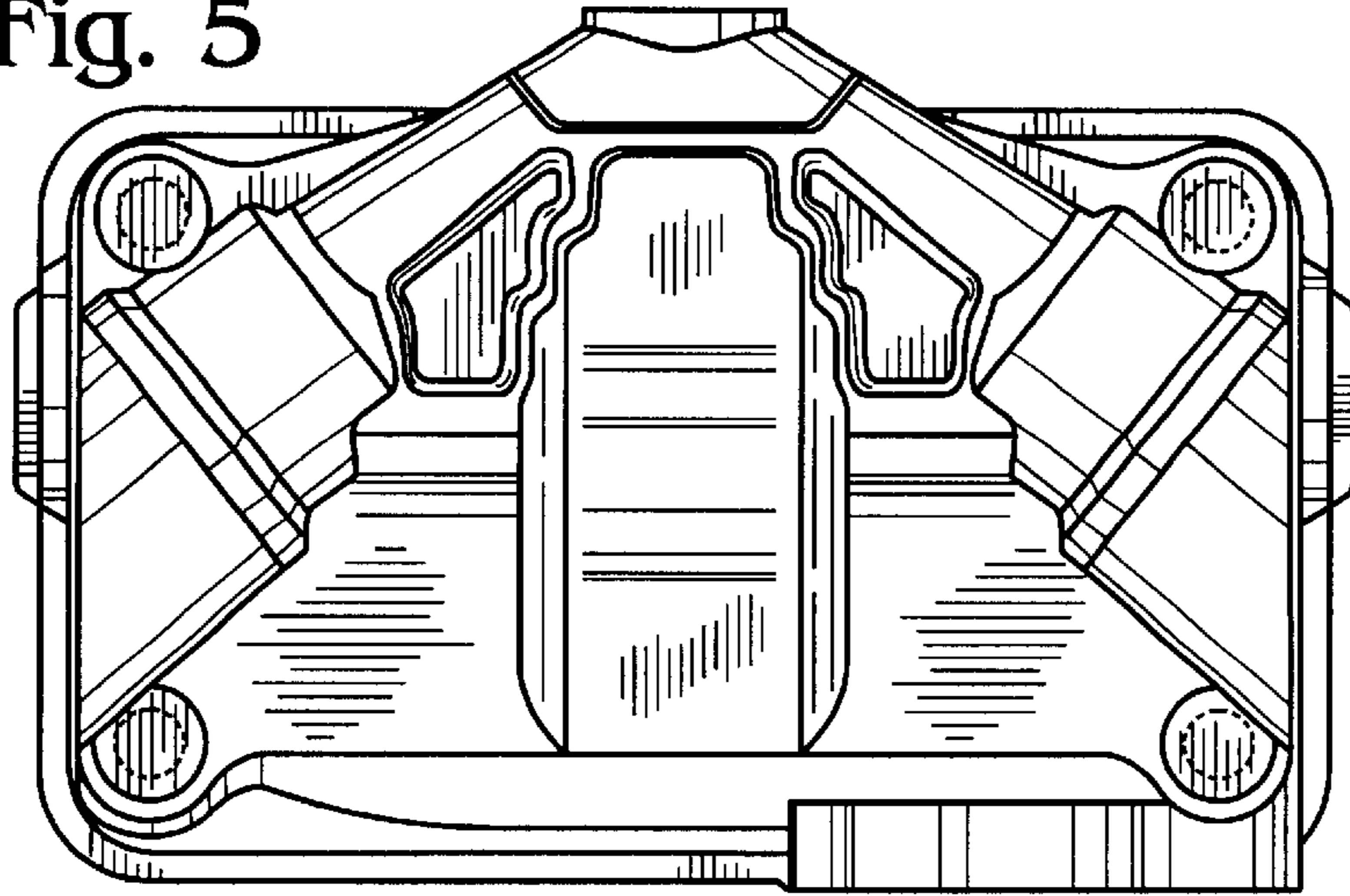


Fig. 6

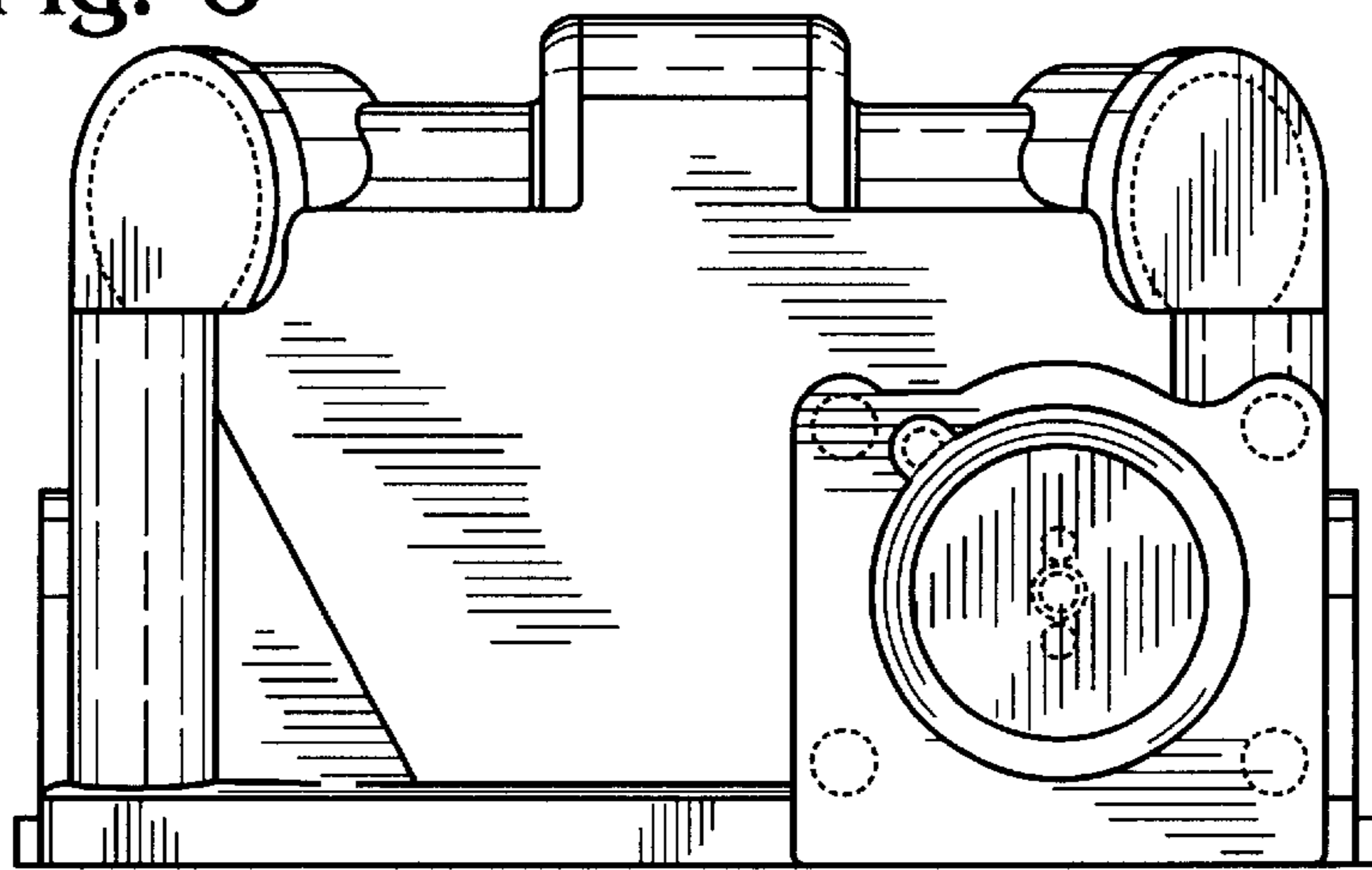


Fig. 7

