



US00D457168S

(12) **United States Design Patent** (10) **Patent No.:** **US D457,168 S**
Braswell (45) **Date of Patent:** **** May 14, 2002**

(54) **CARBURETOR THROTTLE BODY**

Primary Examiner—Melody N. Brown
(74) *Attorney, Agent, or Firm*—Birdwell, Janke & Durando, PLC

(75) **Inventor:** **David Braswell**, Marana, AZ (US)

(73) **Assignee:** **POW Engineering, Inc.**, Marana, AZ (US)

(57) **CLAIM**

(**) **Term:** **14 Years**

The ornamental design for a carburetor throttle body, substantially as shown and described.

(21) **Appl. No.:** **29/138,188**

DESCRIPTION

(22) **Filed:** **Mar. 7, 2001**

(51) **LOC (7) Cl.** **15-01**

FIG. 1 is a perspective top view of a carburetor throttle body showing my new design.

(52) **U.S. Cl.** **D15/6**

FIG. 2 is a left side elevation view thereof.

(58) **Field of Search** D15/1-6; 261/23.2, 261/44.4, DIG. 12

FIG. 3 is a front elevation view thereof.

FIG. 4 is a rear elevation view thereof.

(56) **References Cited**

U.S. PATENT DOCUMENTS

- D218,493 S * 8/1970 Garner D15/6
- D279,101 S * 6/1985 Hulcomb, Sr. et al. D15/6
- 5,863,470 A * 1/1999 Grant 261/23.3

FIG. 5 is a right side elevation view thereof.

FIG. 6 is a top view thereof; and,

FIG. 7 is a bottom, plan view thereof.

The broken lines shown throughout the drawing are for illustrative purposes only and form no part of the claimed design.

OTHER PUBLICATIONS

- Holley Carburetor Throttle Plate part #12R-6236B.
- Holley Carburetor Throttle Plate part #12R-11197BB.

* cited by examiner

1 Claim, 2 Drawing Sheets

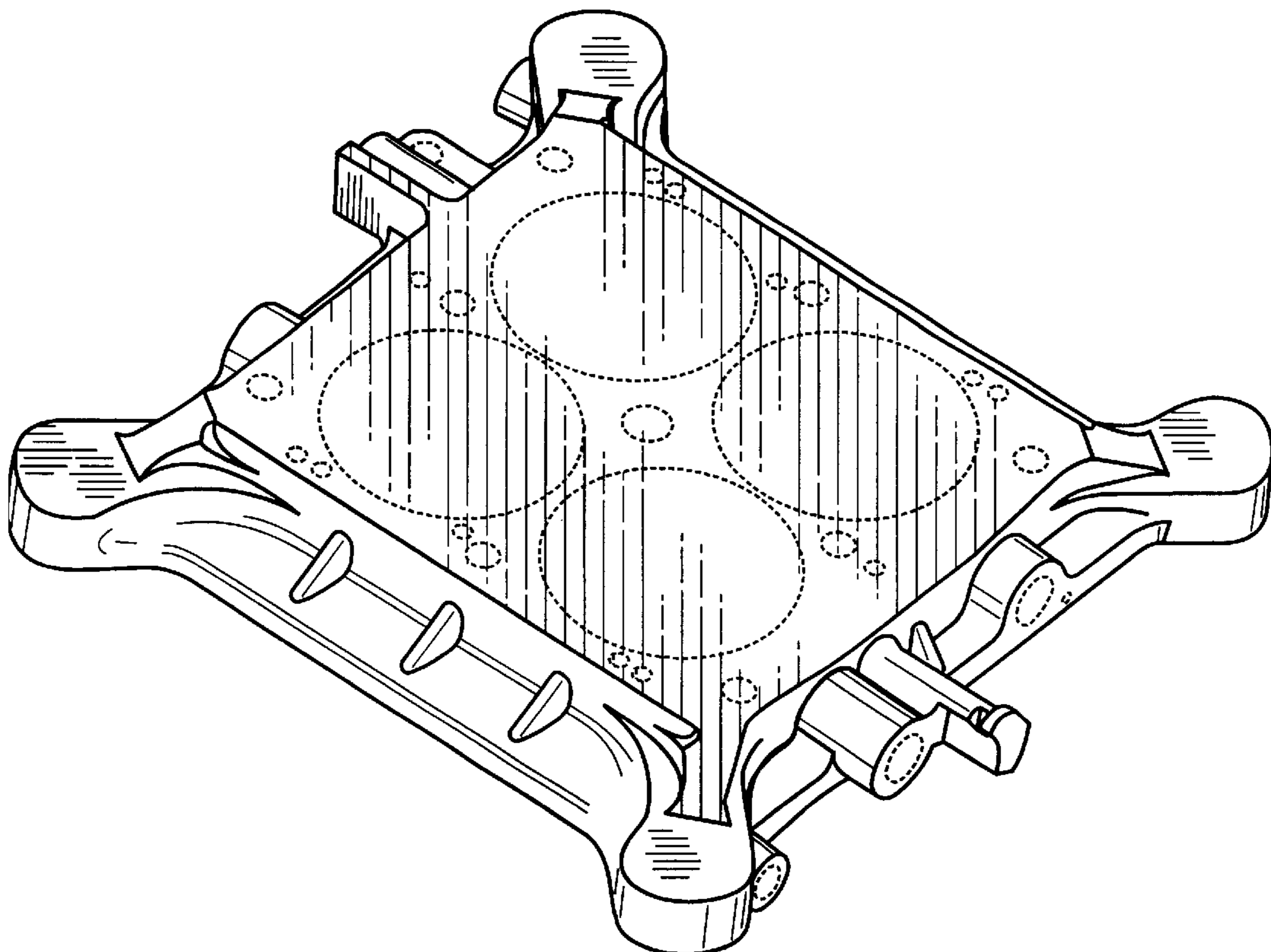


Fig. 1

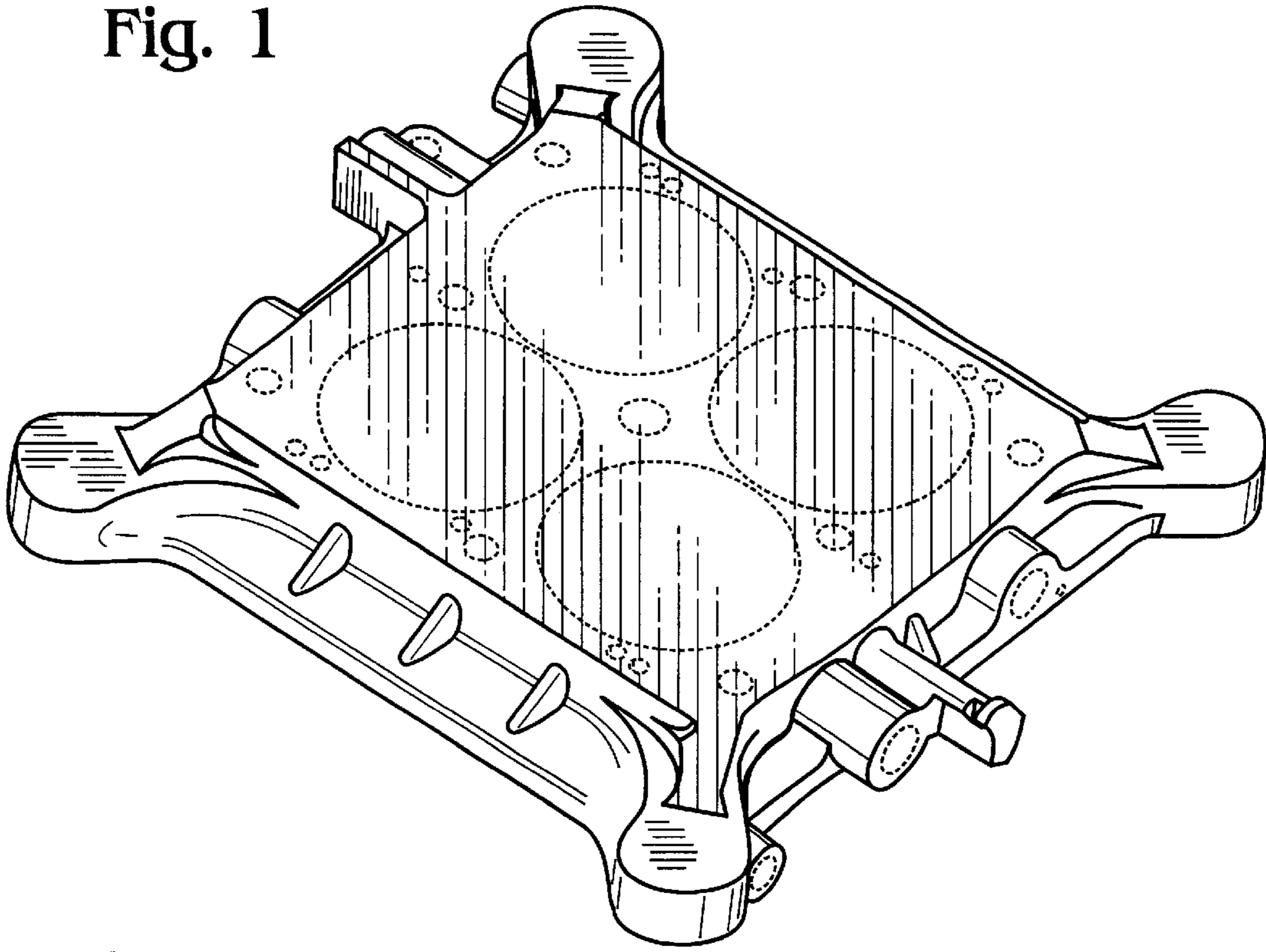


Fig. 2



Fig. 3

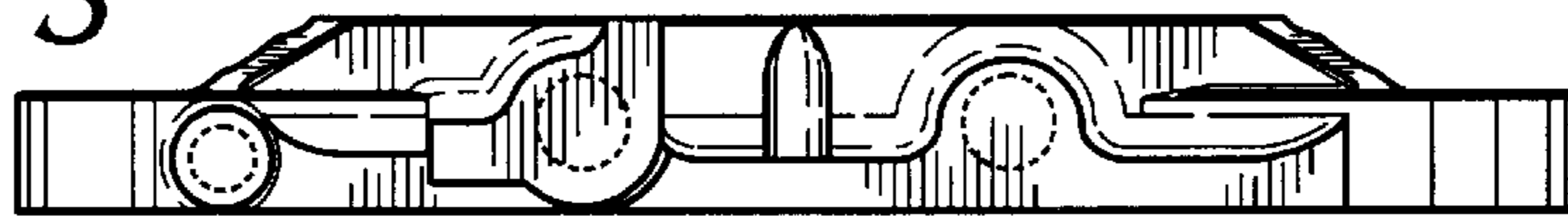


Fig. 4



Fig. 5

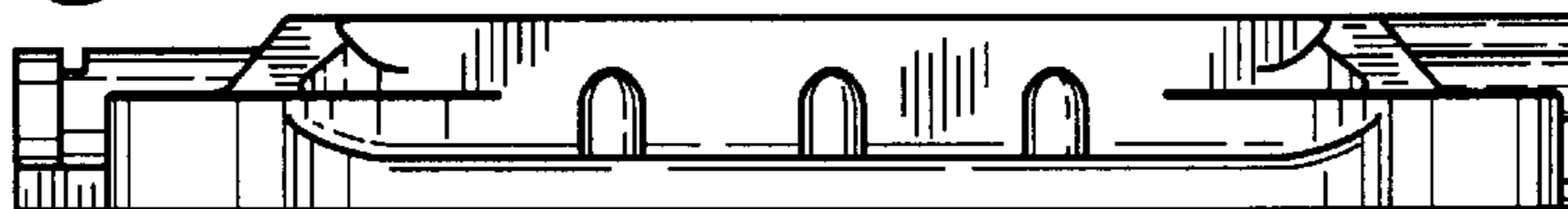


Fig. 6

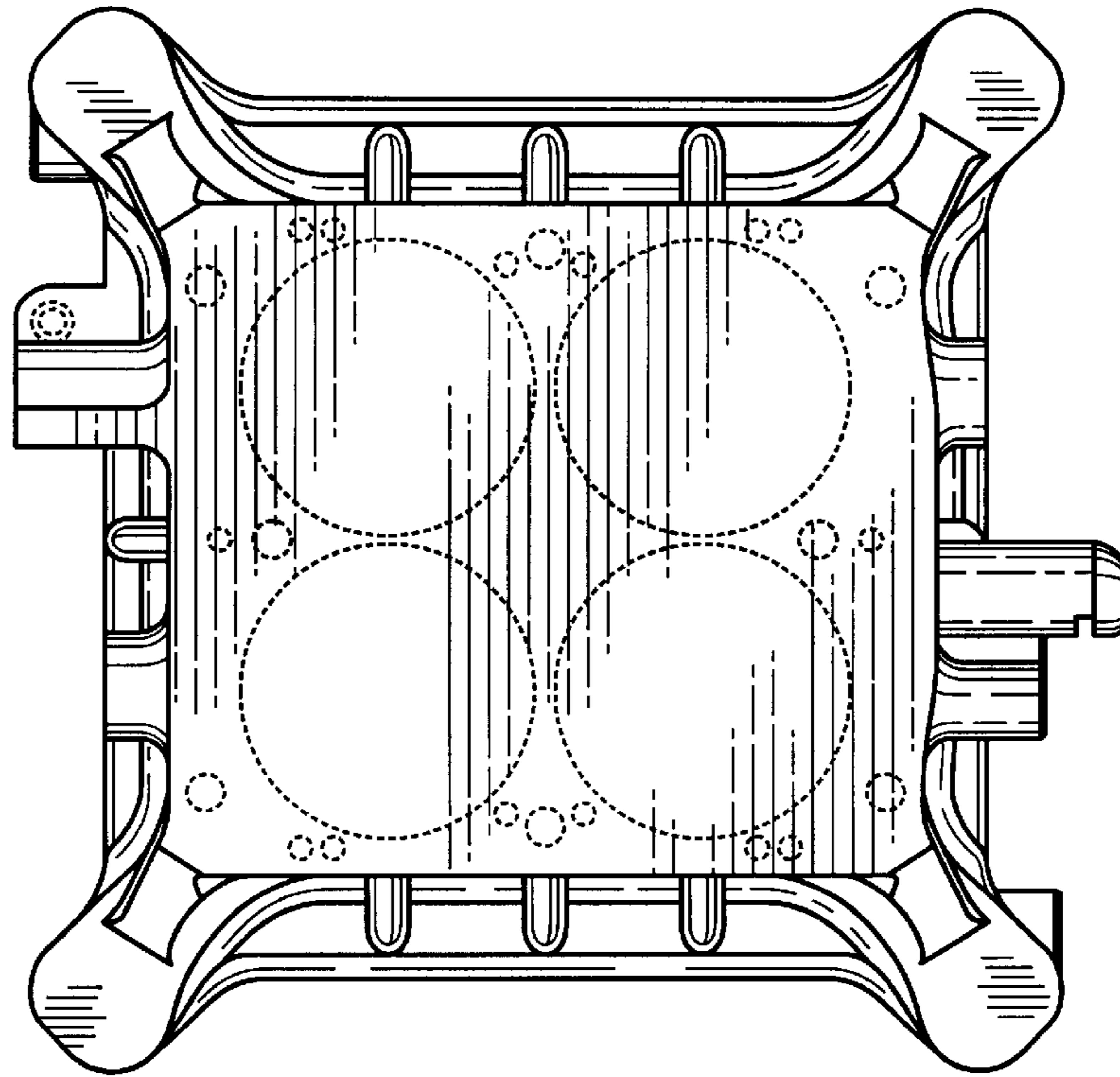


Fig. 7

