



US00D457164S

(12) **United States Design Patent**
Ording

(10) **Patent No.:** **US D457,164 S**

(45) **Date of Patent:** **** May 14, 2002**

(54) **USER INTERFACE FOR COMPUTER DISPLAY**

(75) Inventor: **Bas Ording**, Sunnyvale, CA (US)

(73) Assignee: **Apple Computer, Inc.**, Cupertino, CA (US)

(**) Term: **14 Years**

(21) Appl. No.: **29/116,453**

(22) Filed: **Jan. 5, 2000**

(51) **LOC (7) Cl.** **14-02**

(52) **U.S. Cl.** **D14/485**

(58) **Field of Search** D14/485-95; D18/24-33; D19/6; D20/11; D21/324-33; 345/326, 339-58, 700-26, 764-862

(56) **References Cited**

U.S. PATENT DOCUMENTS

4,866,638	A	9/1989	Consentino et al.
5,146,556	A	9/1992	Hullot et al.
5,657,049	A	8/1997	Ludolph et al.
5,664,128	A	9/1997	Bauer
D423,483	S *	4/2000	Hodgson
D423,484	S *	4/2000	Dangelmaier et al.
D427,574	S *	7/2000	Sawada et al.
D436,967	S *	1/2001	Yasui et al.
D440,979	S *	4/2001	Wang et al.
D444,476	S *	7/2001	Hodgson

* cited by examiner

Primary Examiner—M. H. Tung
(74) *Attorney, Agent, or Firm*—Burns, Doane, Swecker & Mathis, L.L.P.

(57) **CLAIM**

The ornamental design for a user interface for computer display, as shown and described.

DESCRIPTION

A portion of the disclosure of this patent document contains material to which a claim for copyright is made. The copyright owner has no objection to the facsimile reproduction by anyone of the patent document or the patent disclosure, as it appears in the Patent and Trademark Office patent file or records, but reserves all other copyright rights whatsoever.

FIG. 1 is a front view of a user interface for computer display showing my new design.

FIG. 2 is a front view of a second embodiment thereof.

FIG. 3 is a front view of a third embodiment thereof.

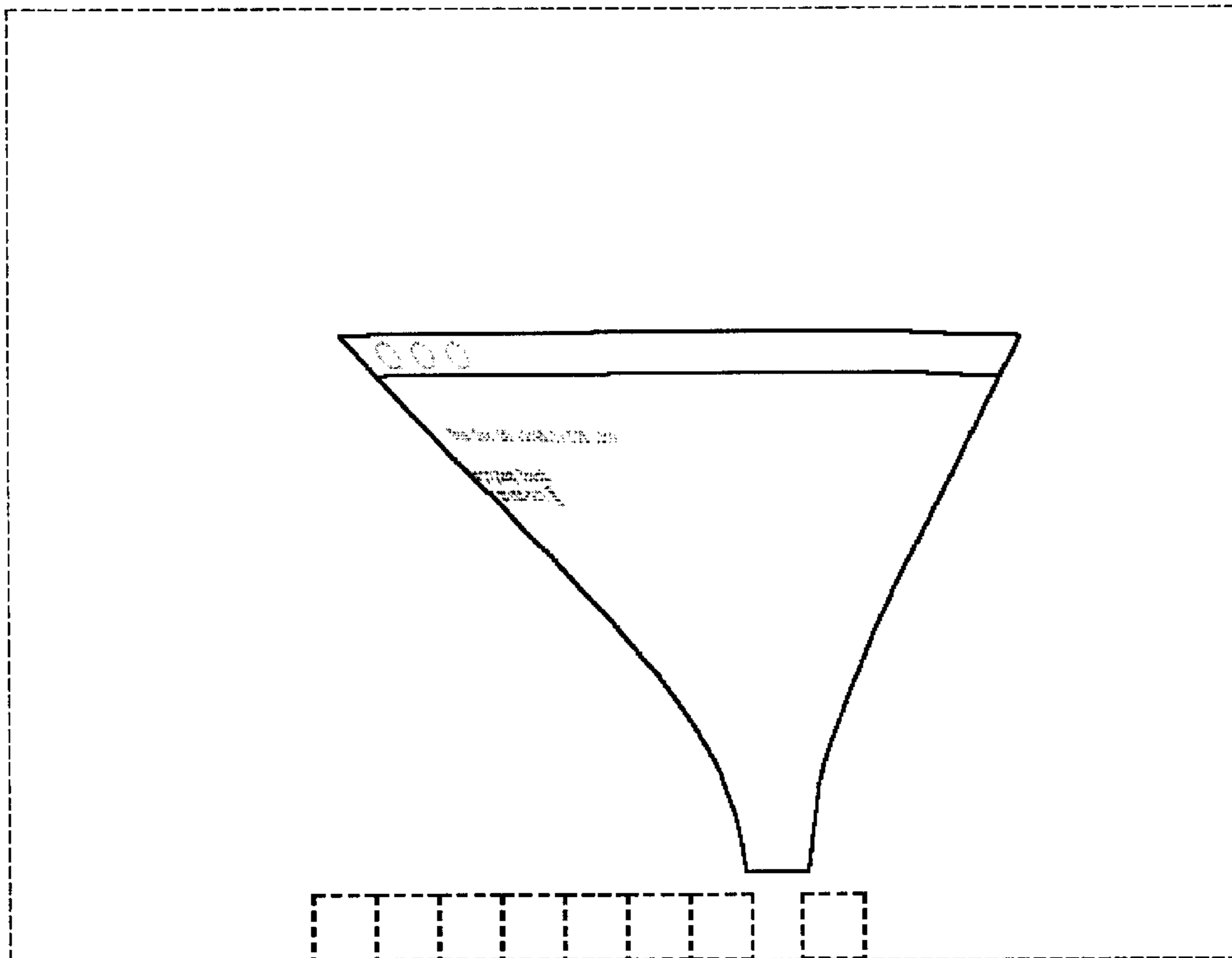
FIG. 4 is a front view of a fourth embodiment thereof.

FIG. 5 is a front view of a fifth embodiment thereof; and,

FIG. 6 is a front view of a sixth embodiment thereof.

The broken line showing of the computer display, windows, and various graphical representations is for illustrative purposes only and forms no part of the claimed design.

1 Claim, 6 Drawing Sheets



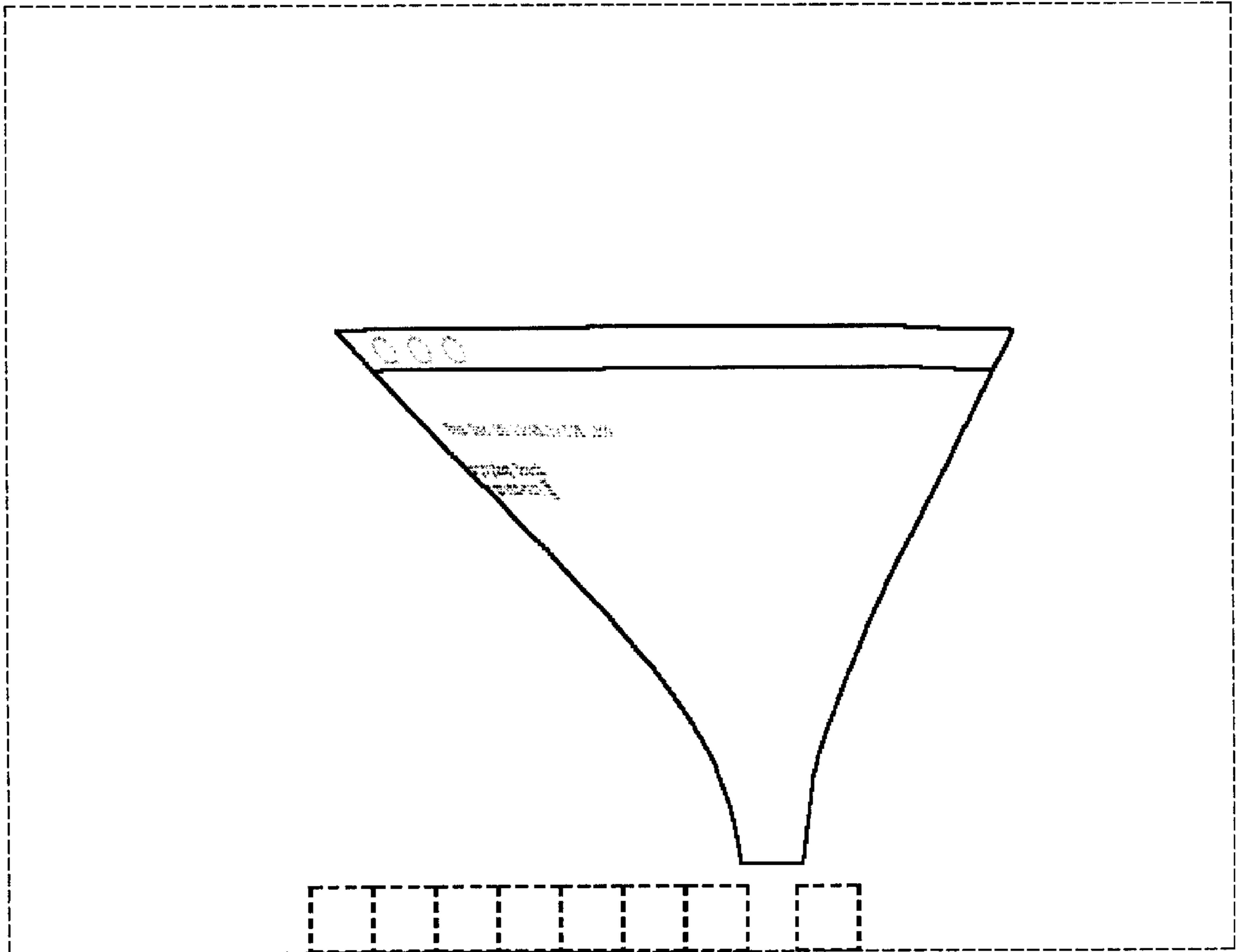


FIG. 1

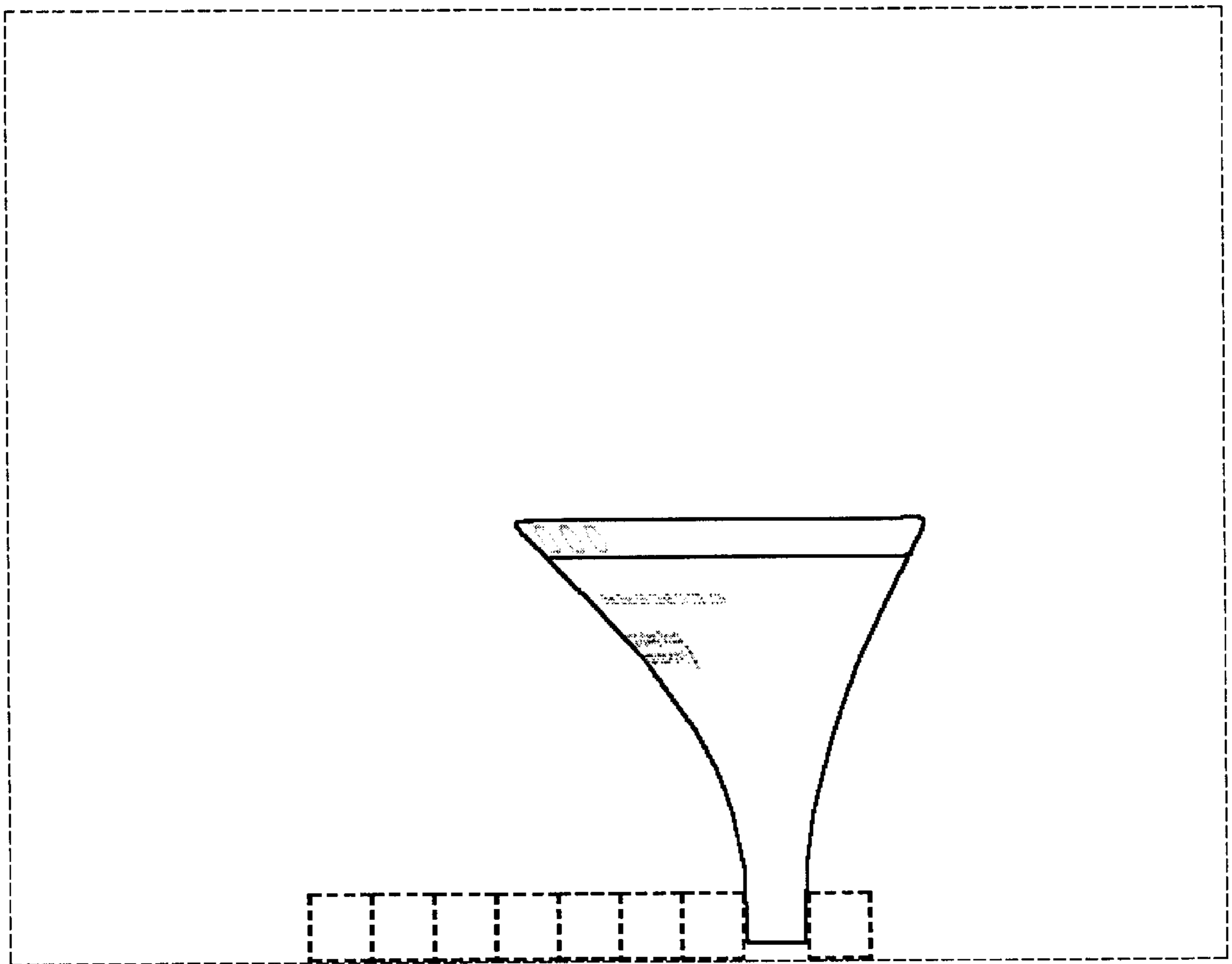


FIG. 2

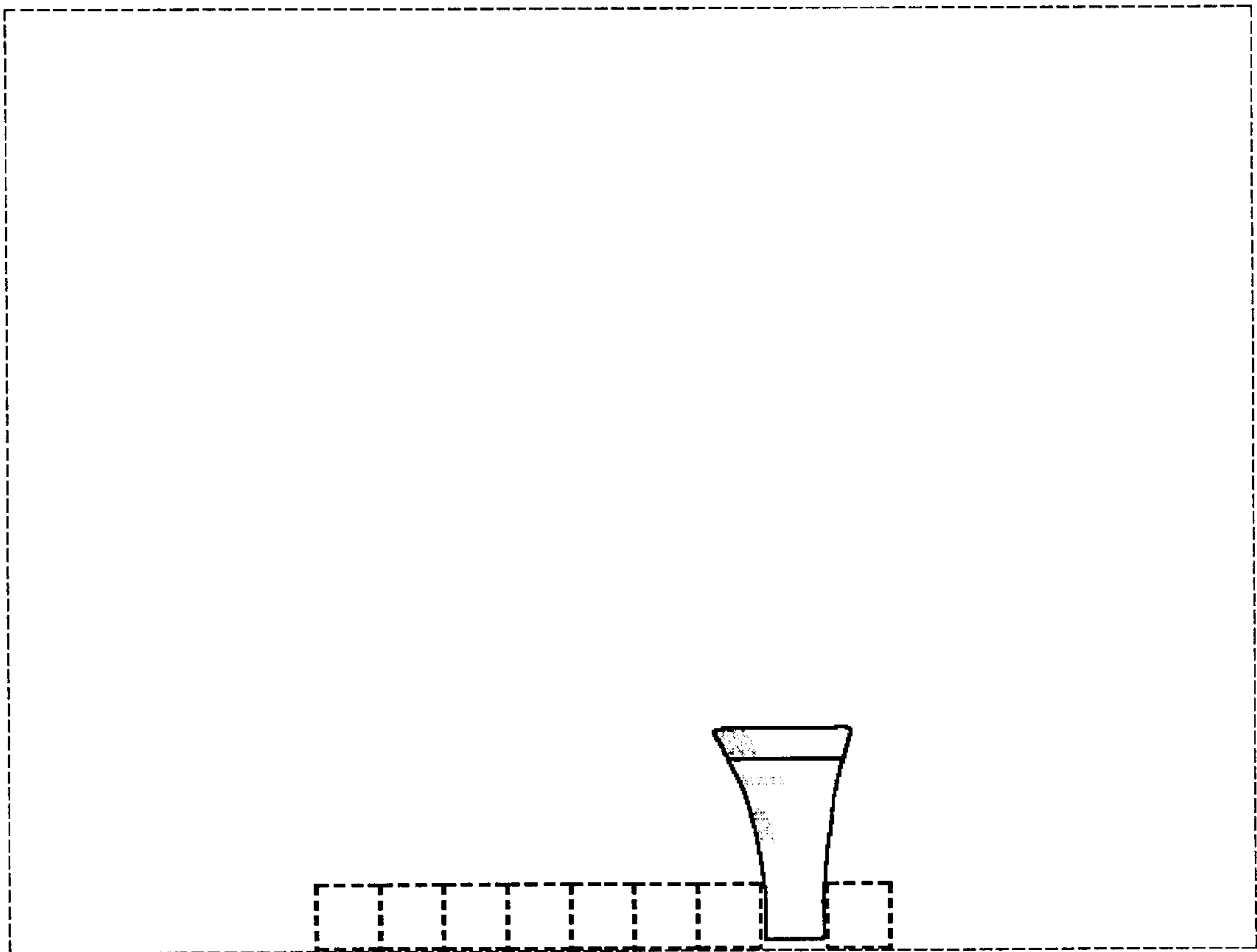


FIG. 3

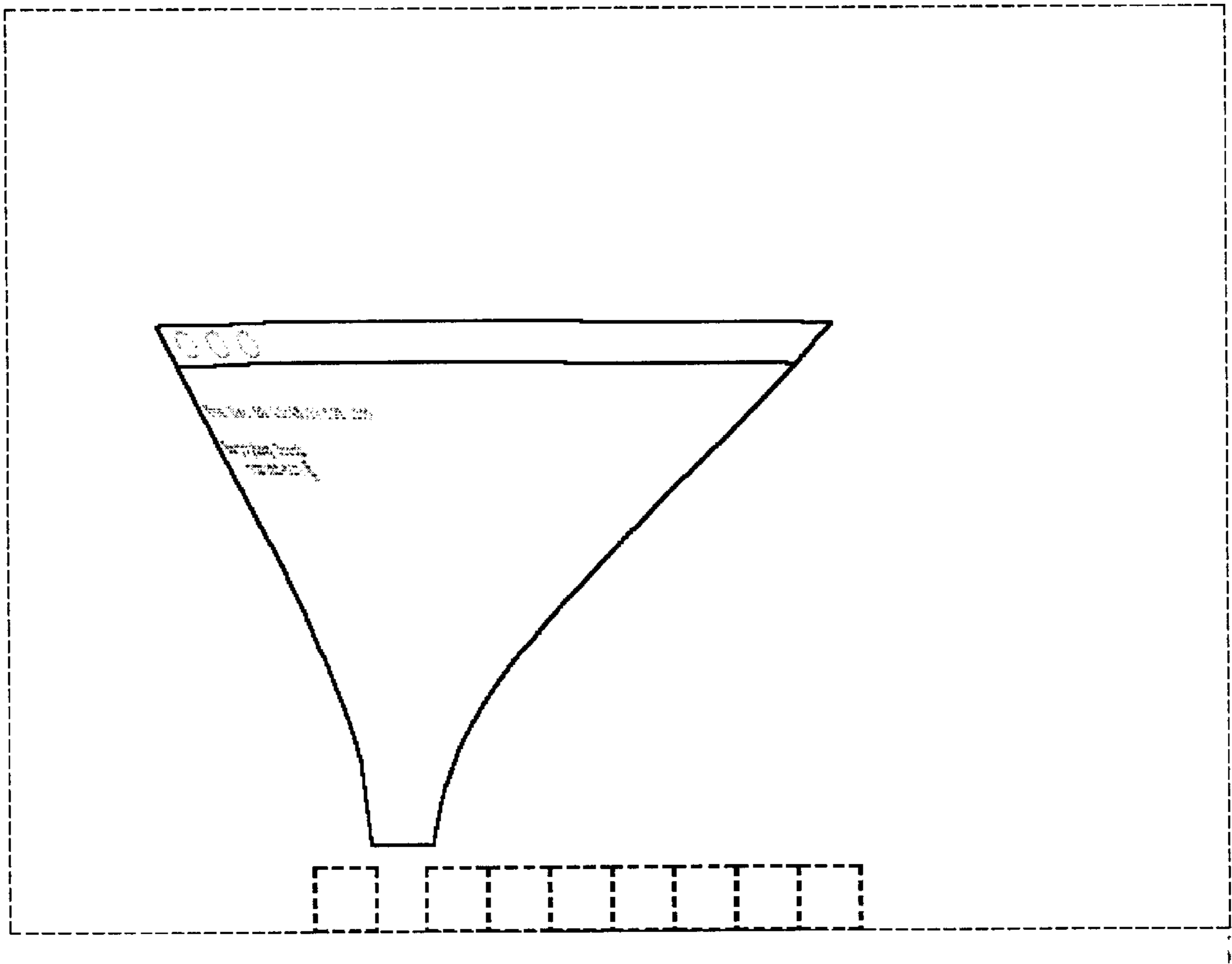


FIG. 4

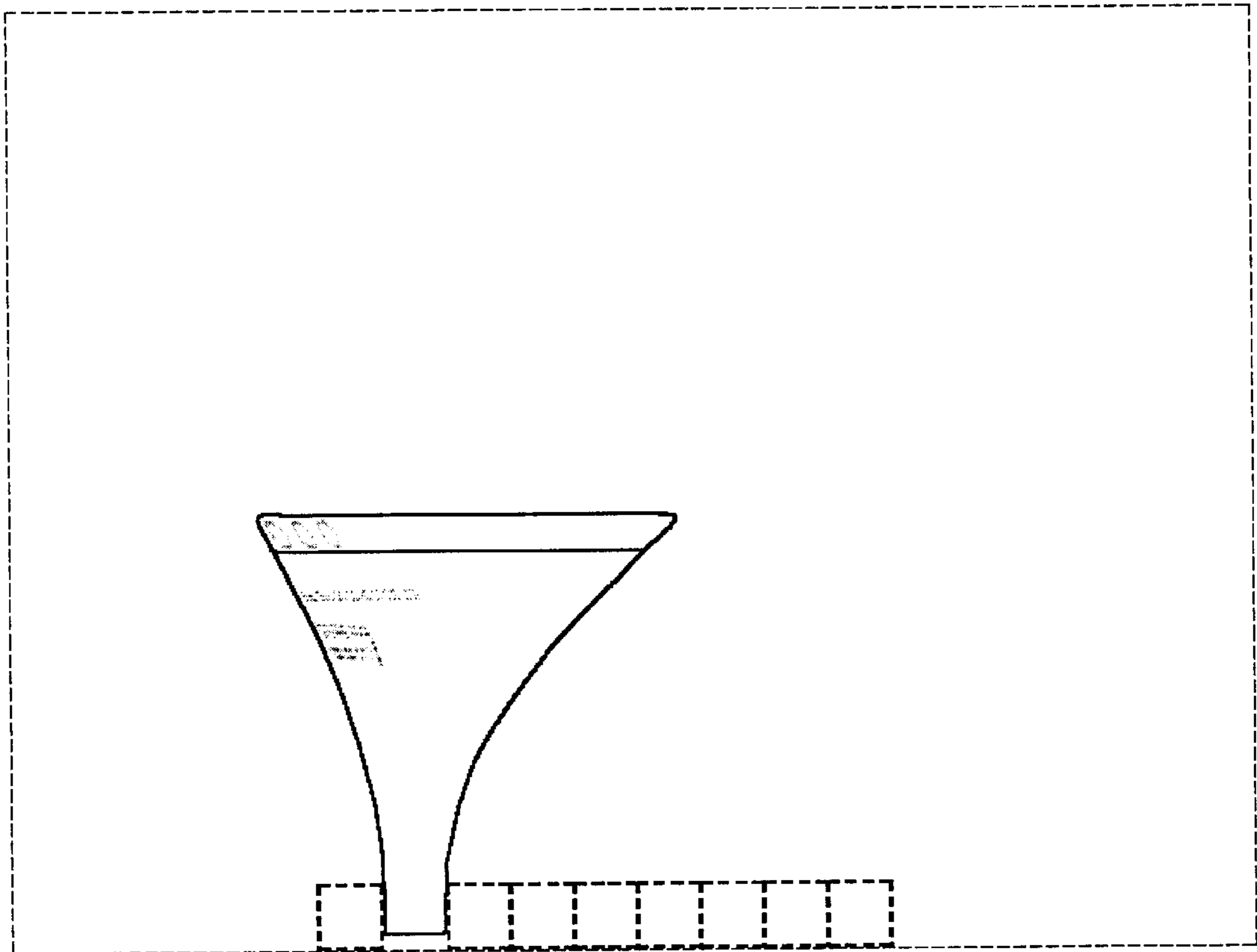


FIG. 5

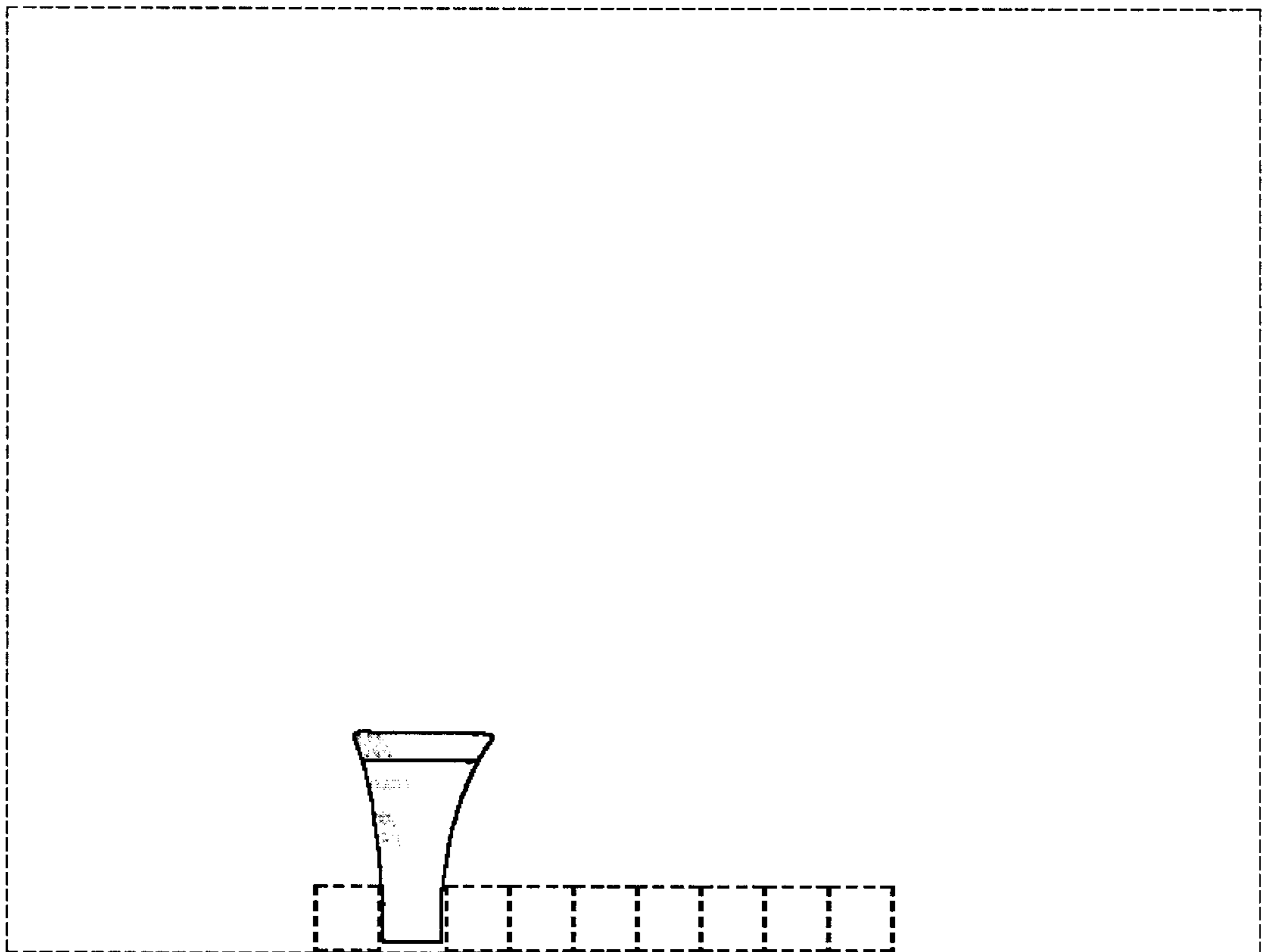


FIG. 6